



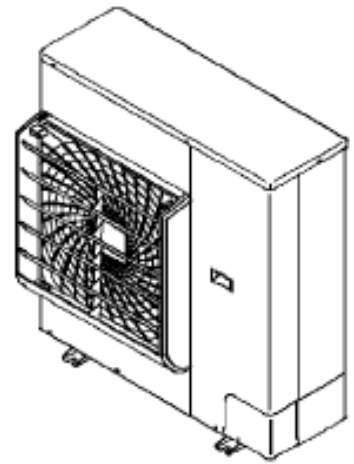
INSTALLATION MANUAL

Wind Baffle

ACCESSORY MODEL NO.
KPW5E112



SKY-AIR RELATED PRODUCTS
RKS30LVJU
RKS36LVJU
RXS30LVJU
RXS30LVJU

VRV IV RELATED PRODUCTS
RXTQ36TAVJU
RXTQ48TAVJU



1. BEFORE INSTALLATION

- a. Components
 - i. Make sure that the accessories shown below are all present.

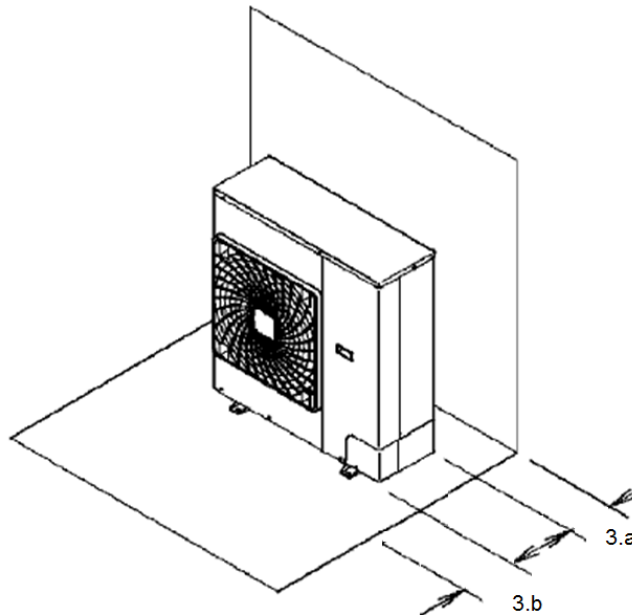
Name	Wind Baffle	Set Screw	Manuals, etc.
Quantity	1 pc.	4 pcs. per each wind baffle	1 pc.
Shape		 M5	<ul style="list-style-type: none"> • Installation Manual

2. SPECIAL CONSIDERATIONS FOR WIND BAFFLE INSTALLATION

- a. Use wind baffle when installing in a location that meets the following conditions:
 - i. Near the boundaries of the neighboring houses.
 - ii. Faces onto the street where pedestrians are directly exposed to the exhaust.
 - iii. Garden, shrubbery, trees etc. are directly exposed to the exhaust.
- b. To prevent exposure to wind, install a baffle plate on the air discharge side so the air exhaust is not in the head wind.
- c. For installation locations exposed to snow, install wind baffle on the air discharge side in the downwards direction.

3. REQUIRED INSTALLATION SPACE

- a. A minimum clearance of 4 inches is required between the back of the outdoor unit and obstacles.
- b. A minimum clearance of 5 inches is required for the wind baffle. Refer to unit installation manual for required service space.



4. INSTALLATION OF WIND BAFFLE

⚠ WARNING

- Do not remove existing standard grill for your safety. Wind baffle is designed for installation over the existing grill. Removal of existing grill will expose rotating parts of the fan and can cause injury.

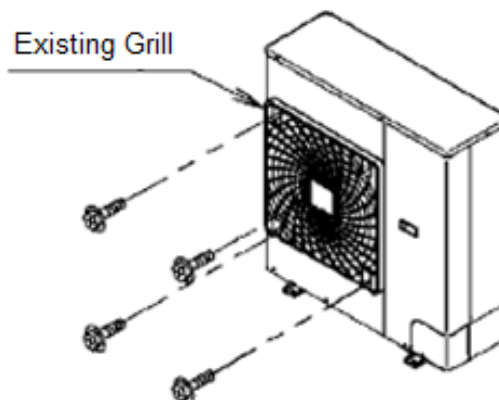
⚠ CAUTION

- Install so that a short circuit is prevented.

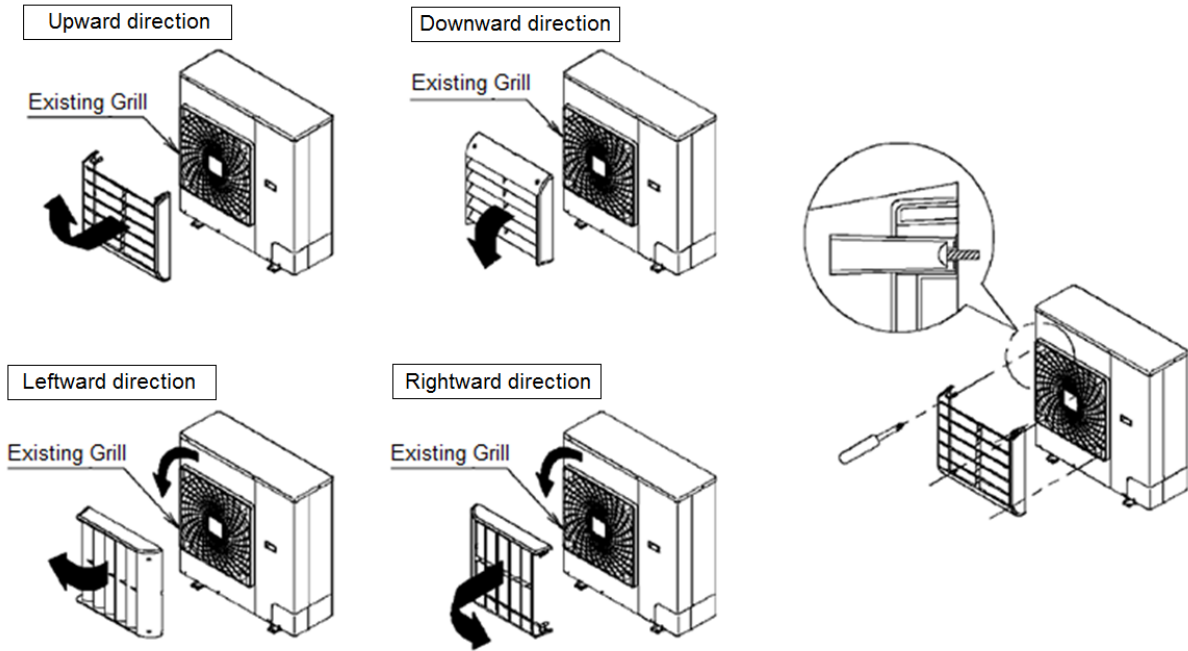
⚠ NOTE

- When installing in snowy regions, avoid installation with the air outlet facing upward. Install so that air outlet faces leftward, rightward, or downward. Snow accumulated in the air outlets of the outdoor unit will cause malfunction of the outdoor unit.
- If wind baffle is installed in the upwards direction, ensure that wet leaves and other foreign material accumulated in vent can be cleaned.

- Ensure unit is off and all power is disconnected to the unit before wind baffle installation.
- Installation is possible in four directions
 - For deflection from obstructions or short circuit of air flow:
 - Upward, rightward and leftward.
 - For Low Ambient:
 - Downward
- Remove the four (4) existing mounting screws on the standard grill.



- Refer to the following illustrations (below) and mount the existing grill and wind baffle with enclosed screws according to the air blow-off direction desired.



e. Illustration showing the completed mounting of the Wind Baffle (with the air blowing in the upper direction).

