

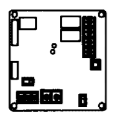

DAIKIN VRV HEAT PUMP

Wiring Adaptor for Electrical Appendices (Group Control Adaptor)

Installation Manual

KRP4A71 • 72 • 73 • 74

Accessories Check if the following accessories are included in the kit.

Adaptor	Relay harness	PCB support	×4
×1	(1) ×1 each	Clamp	×3
	(2) 	Installation manual	×1

Notes

- Kits vary according to applicable models.
- A special adaptor fixing plate and box are required for the following models.

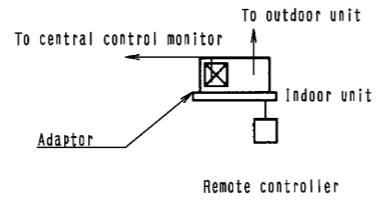
FXAQ	KRP4A93
FXFQ • FCQ	KRP1H98
FXHQ • FHQ	KRP1C93
FXDQ • FXZQ • FXTQ • FTQ	KRP1B101
FXMQ~P • FBQ	KRP4A96

1 System outline

This kit enables remote control (ON/OFF control, temperature setting, operation display, error display) and can be used with the following systems though it cannot be used in conjunction with other optional controllers for centralized control.

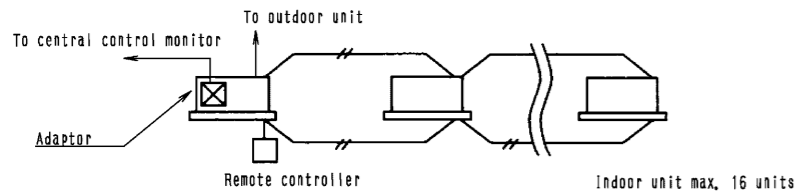
1. Individual control (Each indoor unit is controlled individually,)

- This system requires the following parts.
- Adaptor.....KRP4A71 • 72 • 73 • 74 Any one kit
 - Remote controller.....BRC1E71 (For operation control)
- (Ex.)When individually controlling 8 FXSQ12MVJU units
KRP4A71×8 kits
BRC1E71×8 kits



2. Group control (Multiple indoor units are controlled as a group,)

- This system requires the following parts.
- Adaptor.....KRP4A71 • 72 • 73 • 74 Any one kit
 - Remote controller (For operation control).....BRC1E71



2 Names of parts and function

Service monitor (H1P:Green)
This lamp flashes while the CPU is operating normally.

Power supply connector
To connector on indoor unit PCB.

Note) Connector No.
X18A: FXSQ, FXLQ, FXNQ, FXMQ~M
FXDQ, FXHQ, FHQ, FXZQ
X35A: FXTQ, FTQ, FXMQ~P, FXFQ
FCQ, FXAQ, FBQ

Transmission wiring (P1, P2)
To P1 and P2 on indoor unit terminal board.

Changeover switch (SS1) (Factory set: Volt)
Set to "Non volt" to input a no-voltage normally open contactor on the remote control input terminal board (TeS1).

Remote control input terminal board (X1W)
Connects control input from the remote control (Central control monitor, timer, etc.).

Temperature setting input terminal (X2M)
This function cannot be used for this kit. Never apply voltage to this for any reason whatsoever.

Terminal board for display signal (X3M)
Connects operation and error output to a remote point (Central control monitor, etc.). (Normal operation: W1, W2; Error: W3, W4)

Temperature setting ON/OFF switch (SS2)
(Factory set: Possible)

Impossible
Possible
SS2

Do not change to "Impossible". Otherwise, temperature setting by the remote control cannot be made.

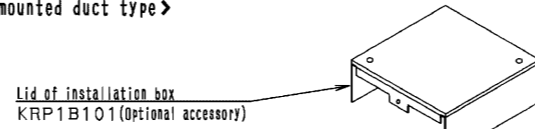
Control mode selector switch (RS1)
(Factory set: 0)
For selecting the type of system operation permitted via remote.

For details, see back page of the electric wiring.

3 Installation

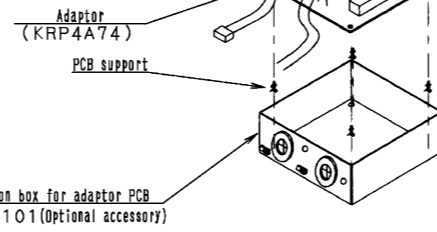
<Ceiling-mounted duct type>

- FXDQ
- FXZQ



<Air handling unit>

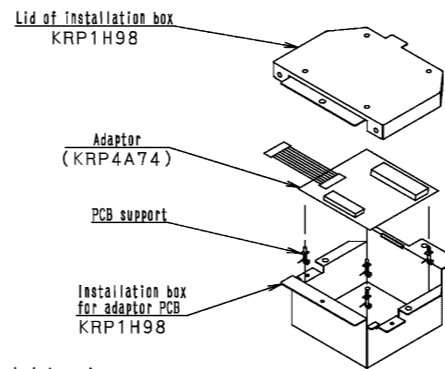
- FXTQ
- FTQ



Note: Installation box for adaptor PCB is required to install the adaptor.

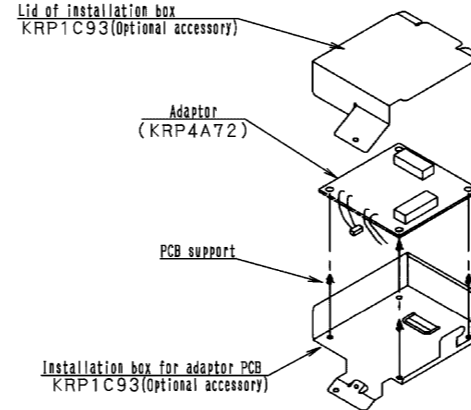
<Ceiling-mounted cassette type>

- FXFQ (Fit the edge of the adaptor PCB into the grooves on the adaptor box.)
- FCQ



<Ceiling-suspended type>

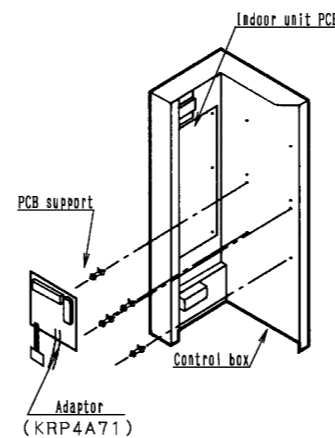
- FXHQ
- FHQ



Note: Installation box for adaptor PCB is required to install the adaptor.

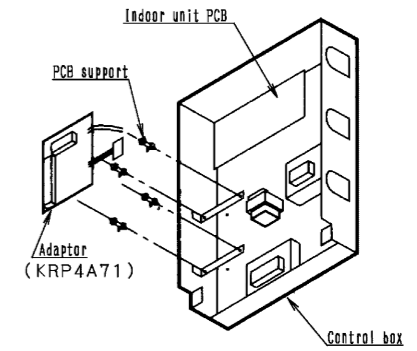
<Floor-standing type>

- FXLQ
- FXNQ



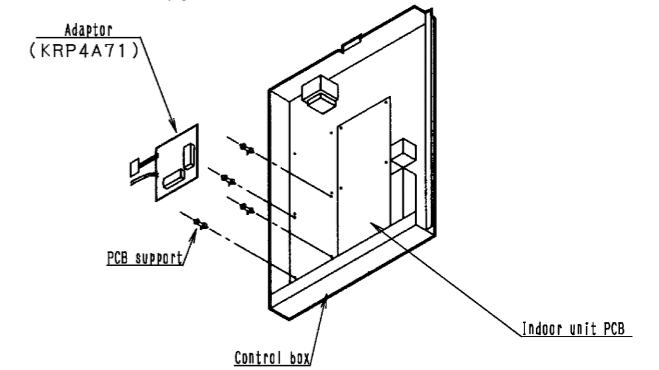
<Ceiling-mounted built-in type>

- FXSQ



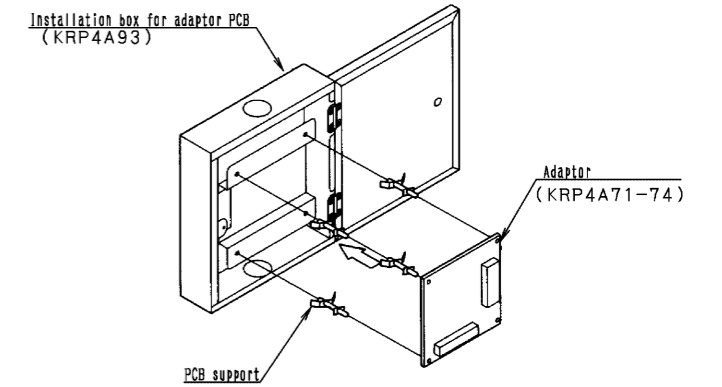
<Ceiling-mounted duct type>

- FXMQ~M



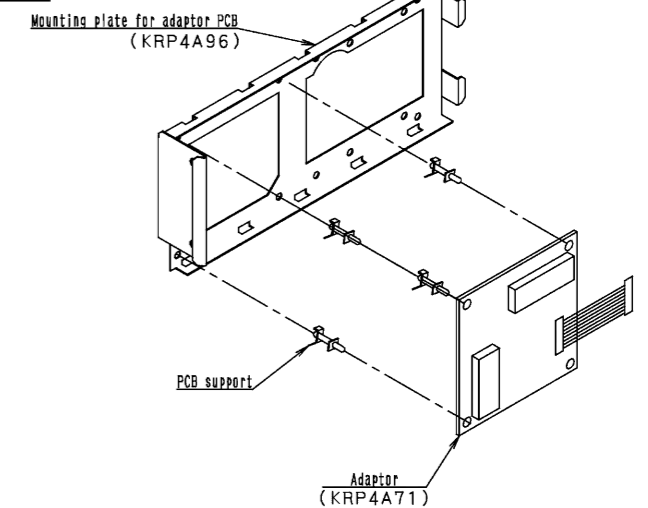
<Wall-mounted type>

- FXAQ



<Ceiling-mounted duct type>

- FXMQ~P
- FBQ

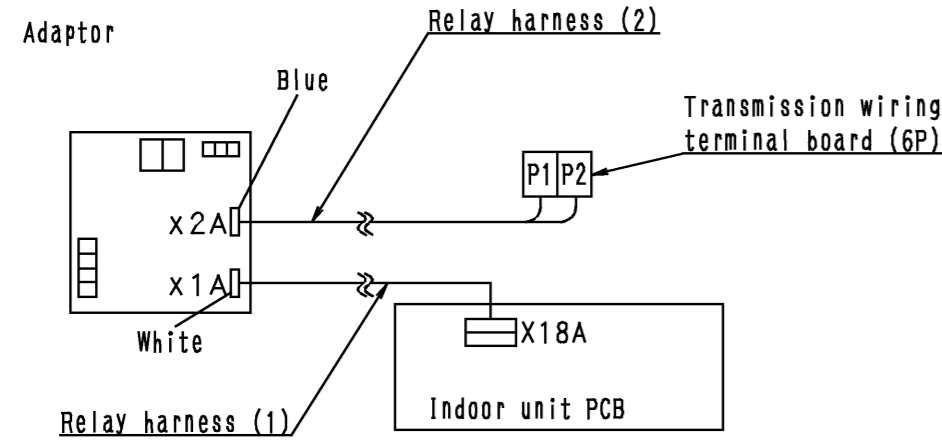


4 Electric wiring

① First, wire between the indoor and outdoor units, and then to the separate power sources, and finally between the indoor units and the remote controllers. Then, check if they operate properly. (If wiring for group control by remote controller, check crosswires.) For details, see the installation manual of the indoor and outdoor units.

② Next, wire between outside units such as the central control monitor, etc, and make the necessary settings. For details, see [Wiring to outside units(Central control monitor)].

Wiring to indoor units



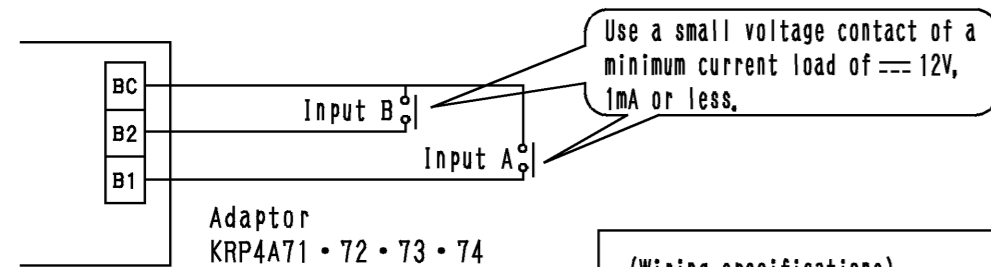
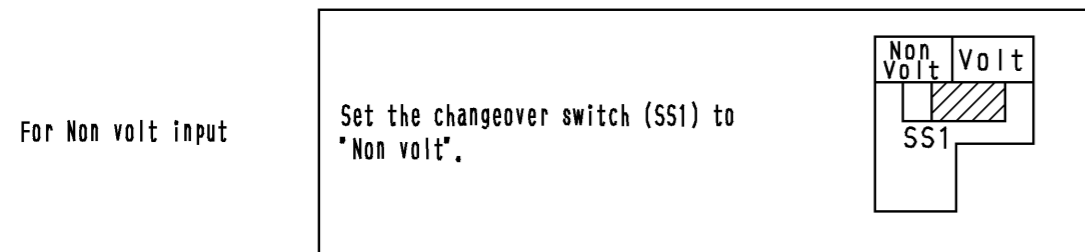
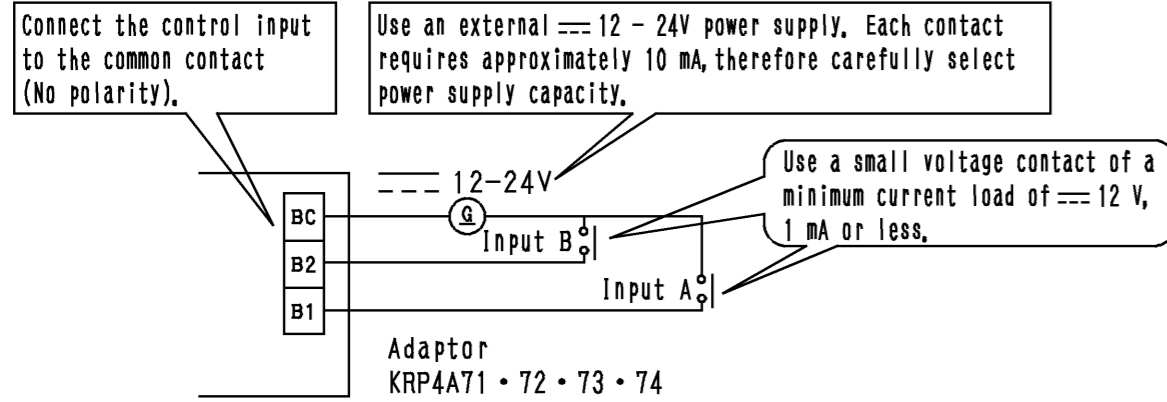
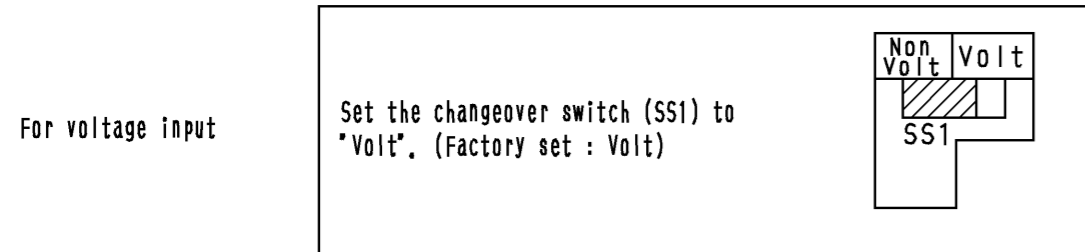
Make connections as shown above, using the attached relay harnesses (1) and (2).

- Connect relay harness (1) to the connector (X18A) on the indoor unit PCB.
- Relay harness (2) has no polarity. Connect it to terminals P1 and P2 on the transmission wiring terminal board inside the indoor unit electric parts box.

Wiring to outside units (Central control monitor)

1. Remote control input (Operation control)

Wire as described below. Wiring differs depending on whether using a voltage or no-voltage input.



(Wiring specifications)
 Wiring . . . Sheathed vinyl cord or cable
 Gauge . . . AWG24-16
 Length . . . Max. 490ft

<Note>
 Keep transmission wiring away from power supply wiring to avoid malfunctions.

2. Setting the control mode selector switch (RS1)

Using the control mode selector switch (RS1), select the control mode as described below.



(Factory set)
 "0" position

① For specifying individual display

Position	Function
0	Individual display (Input ignored)

② When operating the unit with constant input at input A

Position	Function	When input A is ON	When input A is OFF
1	ON/OFF control impossible by remote controller	Operation (Normally ON/OFF control impossible by remote controller)	OFF + ON/OFF control impossible by remote controller
2	Centralized	Operation + ON/OFF control possible by remote controller	
3	OFF control possible by remote controller	Operation + OFF control possible by remote controller (ON control impossible by remote controller)	
4	ON/OFF control possible by remote controller	ON/OFF control possible by remote controller (Operation impossible by optional controller)	

<Note>

- Input B is for forced ON/OFF input. When input B is ON, OFF control is possible but ON/OFF control by the remote controller is impossible, and input A is ignored. When it is OFF, input A is ignored even if selected, it is necessary to reselect input A.

③ When operating the unit using instantaneous input at input A

(Use an instantaneous input of 200 msec or longer ON time).

Position	Function	Input A	Input B capacity
5	ON/OFF control impossible by remote controller	Turns OFF system with ON input Turns ON system with ON input	Input B is for forced OFF input (when ON, OFF control is possible but ON/OFF control by remote controller is impossible, and input A is ignored)
6	Individual	Turns OFF system with ON input Turns ON system with ON input (Normally ON/OFF control possible by remote controller)	

★ For thermostat control using input B

Position	When input A is ON	When input B is ON
C	ON/OFF control impossible by remote controller (Same as position 5)	Forced thermostat OFF command
D		Energy saving command (★)
E	Individual (Same as position 6)	Forced thermostat OFF command
F		Energy saving command (★)

- Forced thermostat OFF command indoor unit fan only operates.
- Energy saving command (★)
 The indoor unit operates at 4° F higher (cooling)/lower (heating) the set temperature.

<Note>

- In such case, even if input A is ON, thermostat control is turned OFF, and all units in the same group will stop.

④ When operating the unit using instantaneous input at input A and B

(Use an instantaneous input of 200 msec or longer ON time).

Position	Function	When input A is ON	When input A is OFF
7	ON/OFF control impossible by remote controller	Operation (Normally ON/OFF control impossible by remote controller)	OFF + ON/OFF control impossible by remote controller
8	Centralized	Operation + ON/OFF control possible by remote controller	
9	OFF control possible by remote controller	Operation + OFF control possible by remote controller (ON control impossible by remote controller)	
A	ON/OFF control possible by remote controller	ON/OFF control possible by remote controller (Operation impossible by optional controller)	
B	Individual	Operation (Normally ON/OFF control possible by remote controller)	OFF (Normally ON/OFF control possible by remote controller)

<Note>

- When set to position 7-A, and using the constant mode for input B, forced stop capacity is enabled (Input A is ignored).
- At position B, the constant mode for input B is not used.

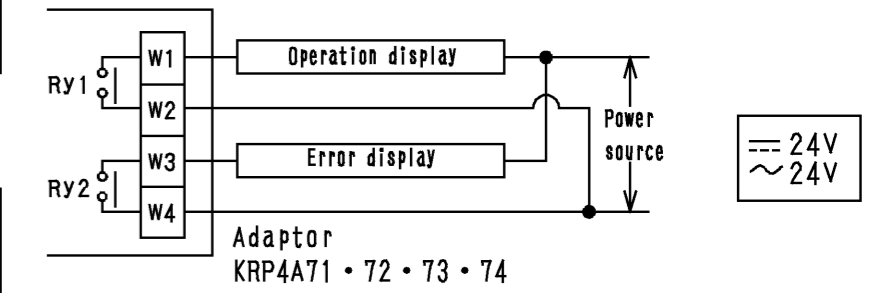
3. Cancelling display signals

Operation output terminals (W1 and W2) and error output terminals (W3 and W4) are no-voltage normally constant contacts.

(Allowed electric current per contact is between 10 mA and 3 A.)

Normal operation output (Ry1)
 ON when the indoor unit is operating normally.

Error output (Ry2)
 ON when the indoor unit stops because of malfunction or when a transmission error occurs between the adaptor and the indoor unit.



Display output is as described below.

Output	Both Ry1 and Ry2 OFF	Only Ry1 ON	Only Ry2 ON
Display	OFF	Normal operation	System stopped due to malfunction or transmission error generated between adaptor and indoor unit