

PACKAGE AIR CONDITIONERS Adaptor Installation Box Installation Manual

KRP4A93 • KRP4AA93 Make sure to read this manual before installation and follow this instruction.

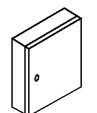



REMARKS

- This box can be mounted on the small wall mounted type indoor unit. One box is required for every adaptor.
- When mounting the box, see the installation manual of the indoor unit as well as the installation manual of the box.

Combination table

Kit model name	Model name of indoor unit which allows the box to be mounted	
KRP4A(A)93	VRV	FXA 20・25・32・40・50・63 L type FXAQ 20・25・32・40・50・63[M・P] type
	SPLIT	FAY71LVE, FAYP71LV1 FAQ71BHV1B, FAQ71BVV1B, FAQ71・100CVEB

Parts included Make sure that the following parts are included,

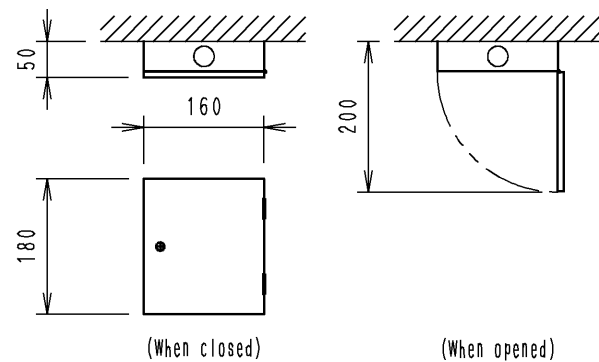
Name	Installation box for adaptor PCB	Screw for fixing door	Plastic washer	Installation manual
Quantity	1 piece	1 piece	1 piece	1 sheet
Shape				 (This sheet)

1 Selection of mounting location

- The location of the box must be near the indoor unit and where open/ close of the door can be handled smoothly.

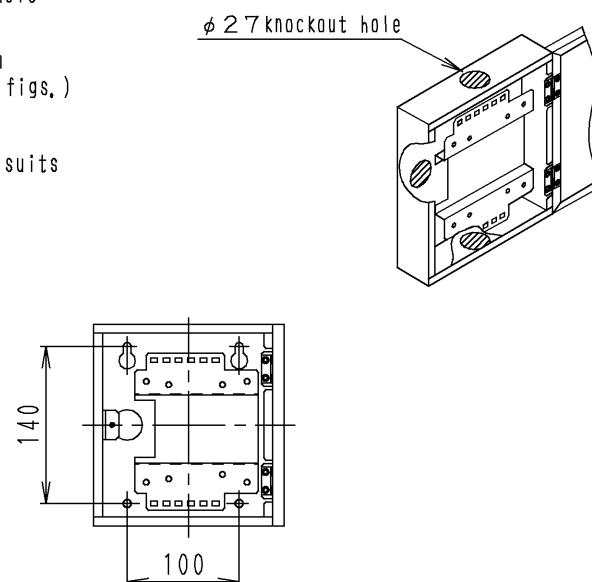
Caution

- Make sure to select the flat area for mounting.



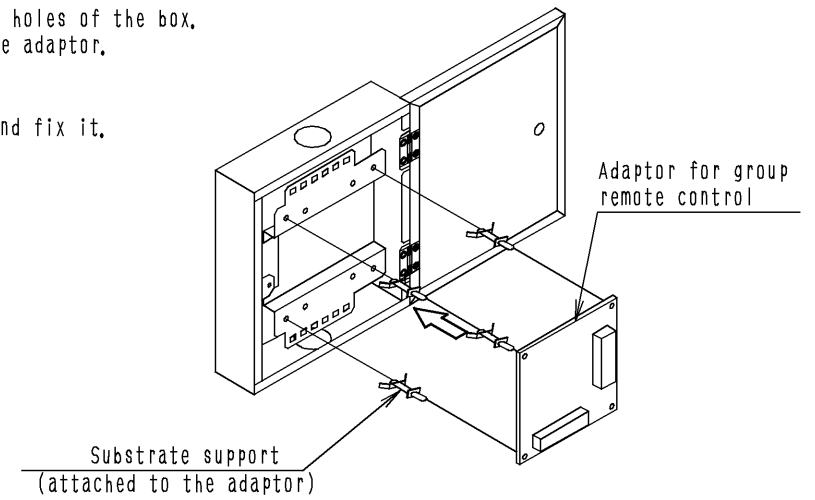
2 Mounting the box

- Determine the wiring outlet side and open the knockout hole on the box.
 - Three knockout holes for wiring outlet are located on the upper, the lower and the rear sides. (Shown right figs.)
- Determine the box mounting location properly so that it suits the wiring length and outlet location.
- Fix the box with 4 screws (Field supplied)
 - The dimensions for mounting is shown right.



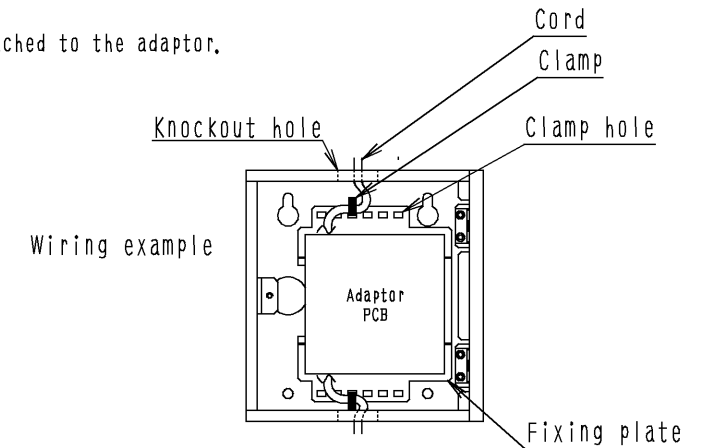
3 Mounting the adaptor

- Fix 4 pieces of substrate supports to the holes of the box. The substrate supports are attached to the adaptor.
- Match the adaptor to substrate supports and fix it.



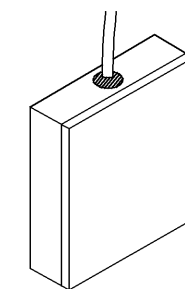
- For wiring, follow the installation manual attached to the adaptor.

- For wiring, fix the fixing plate with the clamp attached to the adaptor.



Caution

- When passing wiring through the knockout holes, remove burrs around the knockout holes and protect the wiring with protective tape or conduit or bushing (field supply).
- If small animals or bugs might enter the unit, block off any gaps (hatching parts in below figure) with sealer (field supply).



- After checking the wiring, close the door and fix the door with the plastic washer and the fixing screws.

