



Remote Control PC-Board Set

<KRP980B2>

Installation Manual

Safety Considerations

- Read these **Safety Considerations** carefully to ensure correct installation.
- This manual classifies the precautions into **WARNING** and **CAUTION**. Be sure to follow all the precautions below: they are all important for ensuring safety.

- ⚠ **WARNING** : Failure to follow any of **WARNING** is likely to result in such grave consequences as death or serious injury.
- ⚠ **CAUTION** : Failure to follow any of **CAUTION** may in some cases result in grave consequences.

WARNING

- **Installation shall be left to the authorized dealer or another trained professional. Improper installation may cause water leakage, electrical shock, fire, or equipment damage.**
- **Be sure to use the supplied or exact specified installation parts.**
- **Use of other parts may cause the unit to come to fall, water leakage, electrical shock, fire or equipment damage.**
- **Be sure to switch off the unit before touching any electrical parts.**
- **Be sure to install a ground fault circuit interrupter. Failure to install a ground fault circuit interrupter may result in electrical shock, fire or personal injury.**

CAUTION

- **Do not install the air conditioner where gas leakage would be exposed to open flames. If the gas leaks and builds up around the unit, it may catch fire.**
- **Touch a nearby metal object (doorknob, aluminium sash, etc.) to discharge static electricity from your body before touching this set.**
(Static electricity from your body can damage this set.)
- **Lay the cable separately from other power cables.**
(Poor wiring may cause external electrical noise.)
- **After completing installation, test the unit to check for installation errors. Give the user adequate instructions concerning the use and cleaning of the unit according to the Operation Manual.**

Outline / Features

This set is an interface that connects a central control device to a room air conditioner and allows you to perform the following operations, or monitoring, in combination with the central control device using KRP413AB1S or KRP928BB2S (sold separately).

- Starting and stopping the air conditioner, and setting the mode and temperature, through the central control device or the wired remote controller. (64°F to 90°F (18°C to 32°C) in COOL operation, 57°F to 82°F (14°C to 28°C) in HEAT operation, none in FAN operation)
- Monitoring the operating conditions, occurrence of errors, and contents of errors of the air conditioner through the central control device or the wired remote controller.
- Restricting the operation with a wireless remote controller found near the air conditioner, such as starting and stopping operation, changing the mode, or setting the temperature, through the use of the central control device, coin timer, or card key.
- Zone control through the central control device.
- Restoring the operating conditions of the air conditioner to the previous conditions at the time of power recovery in case of power outage.

The set does not support the following functions.

- Group control (i.e., the control of multiple indoor units through a single remote controller)
- Monitoring of the following items: Indoor temperature and operating conditions of thermo, compressor, indoor fan, electric heater, and humidifier
- Control of the following items: Forced thermo OFF, filter sign display and reset, airflow direction, airflow rate setting, and air-conditioner charge management
- Energy-saving command, low-noise command, and demand command

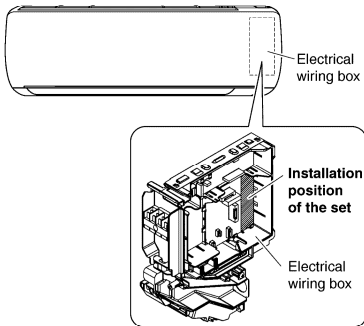
Components

This set includes the following components. Please confirm them.

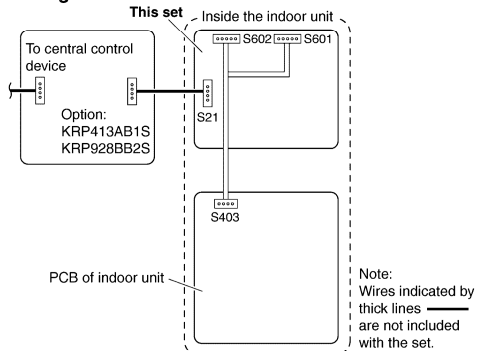
Component	Quantity	Component	Quantity
Main component	1	Installation Manual	1

Installation Procedure

Installation Position



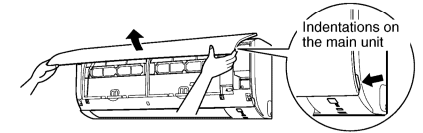
Wiring Outline



Removal and Installation of Front Panel

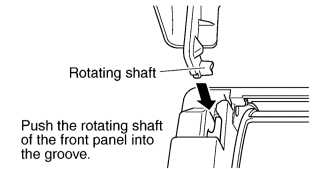
Removal method

- 1) Place your fingers in the indentations on the main unit (one each on the left and right sides), and open the panel until it stops.
- 2) Continue to open the front panel further while sliding the panel to the left and pulling it toward yourself in order to disengage the rotating shaft on the left side. To disengage the rotating shaft on the right side, slide the panel to the right while pulling it toward yourself.



Installation method

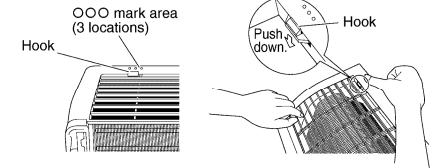
Align the rotating shaft of the front panel with the grooves, and push all the way in. Then close slowly. Push both the sides and the center of the lower surface of the panel firmly.



Removal and Installation of Front Grille

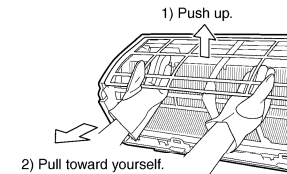
Removal method

- 1) Remove front panel.
- 2) Remove the air filter and streamer unit (only for models with a streamer unit).
- 3) Remove the screws (3) from the front grille.
- 4) Disengage 3 hooks (the location can be identified by ○○○ mark) at the top of the grill.



< When there is no work space because the unit is close to ceiling >

Disengage the flap (horizontal blade), and pull the lower part of the front grill toward yourself to remove it. If it is difficult to remove, place both hands under the center of the front grille, and while pushing up, pull it toward yourself.



CAUTION
Be sure to wear protection gloves.

Installation method

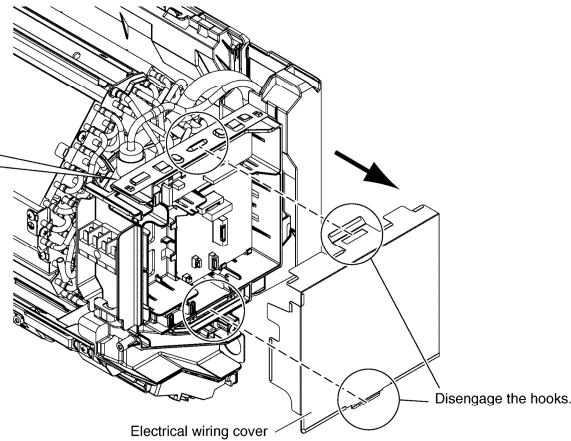
- 1) Install the front grille and firmly engage the upper hooks (3 locations).
- 2) Insert 3 screws of the front grille.
- 3) Install the air filter then mount the front panel.

Removal of Electrical Wiring Cover

1. Remove the front panel and the front grille.
(Refer to the front page for the removal of each part in detail.)
2. Remove the electrical wiring cover.

⚠ WARNING
 • Be sure to turn OFF the power at the time of installation work.
 Touching any electric parts with the power turned ON may cause electric shock.

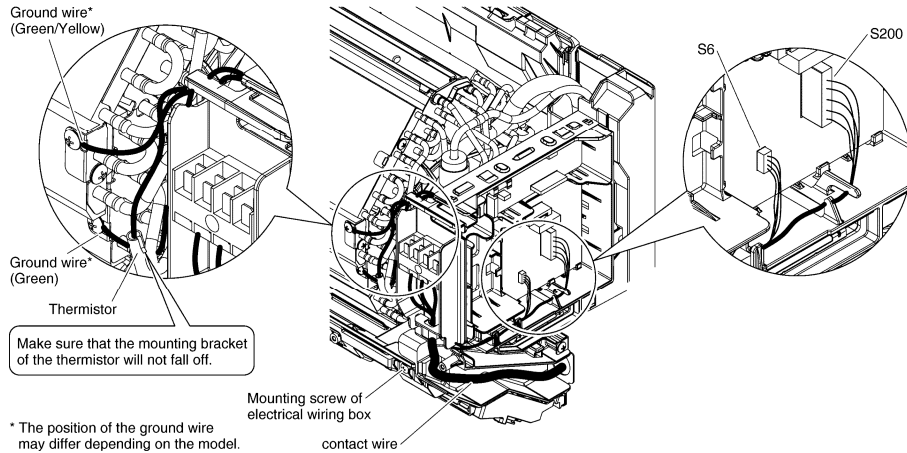
Electrical wiring box
 If there is workspace on the right-hand side of the indoor unit, the installation work can be conducted without removing the electrical wiring box.



Removal of Electrical Wiring Box

If there is workspace on the right-hand side of the indoor unit, the installation work can be conducted without removing the electrical wiring box.
 Connect HA without removing the electrical wiring box, if possible.

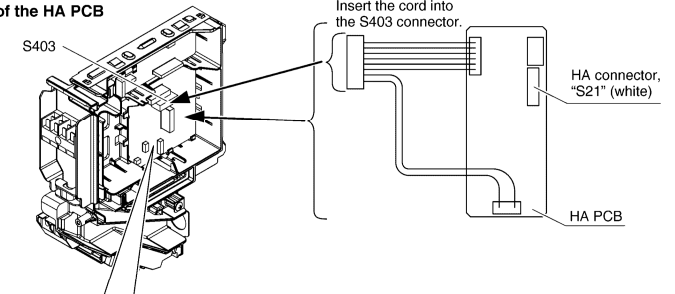
1. Disconnect the contact wire.
2. Disconnect the fan motor connector (S200) and swing motor connector (S6, S11).
(Some models may not have S11 connector.)
3. Disconnect the thermistor and ground wire from the heat exchanger (two screws).
4. Remove the mounting screw of the electrical wiring box (one screw).



Connecting HA PCB

1. Install the HA PCB (this set). (See Fig. 1)
 - 1) Install the HA PCB (this set) to the electrical wiring box.
 - 2) Insert the connector of the HA PCB (this set) to the connector (S403) on the electrical wiring box.
2. Connect the HA connection cord. (See Fig. 1 and 2)
 - 1) Insert the HA connection cord into the HA connector, "S21" (white) on the HA PCB (this set).
 - 2) Route the HA connection cord as shown in Fig. 2.

Fig. 1 Connection points of the HA PCB



Installing HA PCB on the electrical wiring box

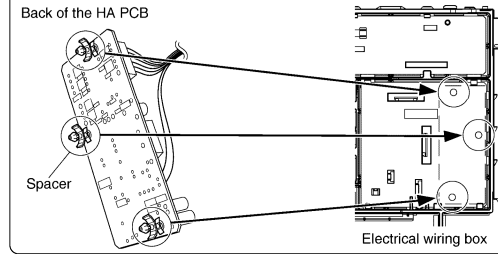


Fig. 2 Routing HA connection cord

