

SNOW HOOD AND SNOW VISOR INSTALLATION INSTRUCTIONS

ATTENTION INSTALLING PERSONNEL

As a professional installer, you have an obligation to know the product better than the customer. This includes all safety precautions and related items.

Prior to actual installation, thoroughly familiarize yourself with this Instruction Manual. Pay special attention to all safety warnings. Often during installation or repair, it is possible to place yourself in a position which is more hazardous than when the unit is in operation.

Remember, it is your responsibility to install the product safely and to know it well enough to be able to instruct a customer in its safe use.

Safety is a matter of common sense...a matter of thinking before acting. Most dealers have a list of specific good safety practices...follow them.


The precautions listed in this Installation Manual are intended as supplemental to existing practices. However, if there is a direct conflict between existing practices and the content of this manual, the precautions listed here take precedence.

ACCESSORY KIT NUMBERS



KPS00301	KPS00401	KPS00344
KPS00302	KPS00402	
KPS00303	KPS00403	

APPLICABLE OUTDOOR UNIT MODELS

RZQ18TAVJU	RZR18TAVJU	RXTQ36TAVJU
RZQ24TAVJU	RZR24TAVJU	RXTQ48TAVJU
RZQ30TAVJU	RZR30TAVJU	RXTQ60TAVJU
RZQ36TAVJU	RZR36TAVJU	RXSQ24TAVJU
RZQ42TAVJU	RZR42TAVJU	RXSQ36TAVJU
RZQ48TAVJU	RZR48TAVJU	RXSQ48TAVJU
		RXSQ60TAVJU

 WARNING
ONLY PERSONNEL THAT HAVE BEEN TRAINED TO INSTALL, ADJUST, SERVICE OR REPAIR (HEREINAFTER, "SERVICE") THE EQUIPMENT SPECIFIED IN THIS MANUAL SHOULD SERVICE THE EQUIPMENT. THE MANUFACTURER WILL NOT BE RESPONSIBLE FOR ANY INJURY OR PROPERTY DAMAGE ARISING FROM IMPROPER SERVICE OR SERVICE PROCEDURES. IF YOU SERVICE THIS UNIT, YOU ASSUME RESPONSIBILITY FOR ANY INJURY OR PROPERTY DAMAGE WHICH MAY RESULT. IN ADDITION, IN JURISDICTIONS THAT REQUIRE ONE OR MORE LICENSES TO SERVICE THE EQUIPMENT SPECIFIED IN THIS MANUAL, ONLY LICENSED PERSONNEL SHOULD SERVICE THE EQUIPMENT. IMPROPER INSTALLATION, ADJUSTMENT, SERVICING OR REPAIR OF THE EQUIPMENT SPECIFIED IN THIS MANUAL, OR ATTEMPTING TO INSTALL, ADJUST, SERVICE OR REPAIR THE EQUIPMENT SPECIFIED IN THIS MANUAL WITHOUT PROPER TRAINING MAY RESULT IN PRODUCT DAMAGE, PROPERTY DAMAGE, PERSONAL INJURY OR DEATH.

 WARNING
DO NOT ALLOW CHILDREN TO PLAY ON OR AROUND UNIT TO PREVENT INJURY.

 WARNING
HIGH VOLTAGE!
DISCONNECT ALL POWER BEFORE SERVICING OR INSTALLING THIS UNIT. MULTIPLE POWER SOURCES MAY BE PRESENT. FAILURE TO DO SO MAY CAUSE PROPERTY DAMAGE, PERSONAL INJURY OR DEATH.


INDEX

Safety Considerations	2
Before Installation.....	2
Special Considerations Before Snow Hood Installation....	5
Single/Double Fan Snow Visor Installation	6
Single/Double Fan Front Snow Hood Installation	8
Single/Double Fan Rear Snow Hood Installation.....	11
Single/Double Fan Side Snow Hood Installation.....	13



SAFETY CONSIDERATIONS

Read these Safety Considerations carefully before installing the snow hoods. After completing the installation, make sure that the unit operates properly during the startup operation.

- Inform customer that they should store this Installation Manual for future reference.

⚠ WARNING
SAFELY DISPOSE OF ALL PACKING AND TRANSPORTATION MATERIALS IN ACCORDANCE WITH FEDERAL/STATE/LOCAL LAWS OR ORDINANCE. PACKING MATERIALS SUCH AS NAILS AND OTHER METAL OR WOOD PARTS, INCLUDING PLASTIC PACKING MATERIALS USED FOR TRANSPORTATION WILL RESULT IN INJURIES OR DEATH BY SUFFOCATION.

⚠ WARNING
BE SURE TO DISCONNECT THE POWER CABLE PLUG FROM THE PLUG SOCKET BEFORE DISASSEMBLING THE EQUIPMENT FOR SNOW HOOD INSTALLATION. WORKING ON THE EQUIPMENT THAT IS CONNECTED TO THE POWER SUPPLY MAY CAUSE AN ELECTRIC SHOCK.

⚠ WARNING
ONLY QUALIFIED PERSONNEL MUST CARRY OUT THE INSTALLATION WORK. INSTALLATION MUST BE DONE IN ACCORDANCE WITH THIS INSTALLATION MANUAL. IMPROPER INSTALLATION COULD RESULT IN WATER LEAKAGE.

⚠ WARNING
ASSEMBLY BY MORE THAN TWO PERSON IS RECOMMENDED.

BEFORE INSTALLATION

KIT SUMMARY

KIT NO	DESCRIPTION
KPS00301	Single Fan Front Snow Hood Assembly
KPS00302	Single Fan Side Snow Hood Assembly
KPS00303	Single Fan Rear Snow Hood Assembly
KPS00344	Single & Double Fan Snow Visor Assembly
KPS00401	Double Fan Front Snow Hood Assembly
KPS00402	Double Fan Side Snow Hood Assembly
KPS00403	Double Fan Rear Snow Hood Assembly

⚠ WARNING
USE ONLY SPECIFIED ACCESSORIES AND PARTS FOR INSTALLATION WORK. FAILURE TO USE SPECIFIED PARTS COULD RESULT IN WATER LEAKAGE.

⚠ WARNING
USE ONLY THE SCREWS PROVIDED OR SCREWS OF AN EQUIVALENT LENGTH.

⚠ CAUTION
THE HEAT EXCHANGER FINS ARE SHARP ENOUGH TO CUT, AND MAY RESULT IN INJURY IF IMPROPERLY USED. TO AVOID INJURY WEAR GLOVES OR COVER THE FINS WHEN WORKING AROUND THEM.

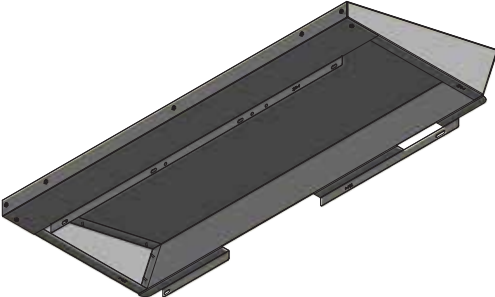
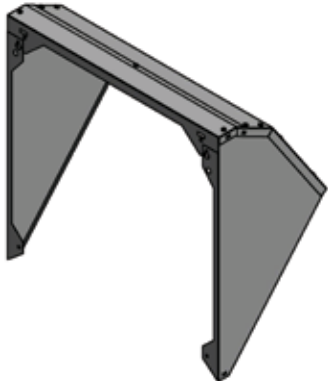
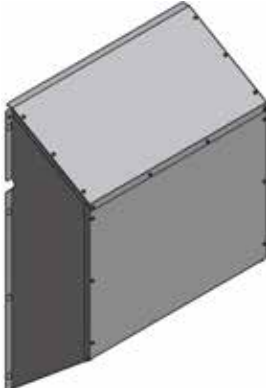

NOTE: Unit panels will be removed during this installation. Take care not to damage unit internals.

The snow hoods are also suitable for use as hail guards in hail prone location.

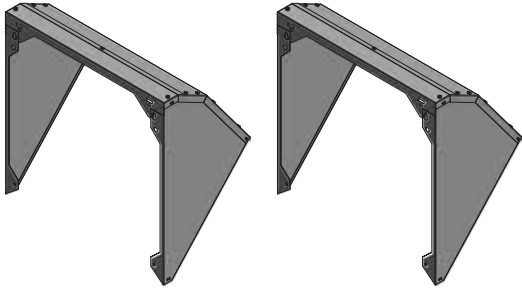


This document contains information to ensure proper installation only. Consult local code for any wind load tie down requirements.

Components

Make sure that the accessories shown below are all present.

NAME		SNOW HOOD PANELS	SET SCREW	MANUALS, ETC.
QUANTITY		SEE BELOW	QUANTITY	1 pc.
	Single/Double Fan - Snow Visor (Assembled) KPS00344	<p style="text-align: center;">ADDED ROW</p>  <p style="text-align: center;">Panel Quantity: Sheet metal 4pcs</p>	Punch # N/A	0
SHAPE	Single Fan - FRONT (Assembled) KPS00301	 <p style="text-align: center;">Panel Quantity: Sheet metal 4pcs</p>	Punch # 3-1	20
	Single Fan - REAR (Assembled) KPS00303	 <p style="text-align: center;">Panel Quantity: Sheet metal 4pcs</p>	Punch # 3-3	21
	Single Fan - SIDE (Assembled) KPS00302	 <p style="text-align: center;">Panel Quantity: Sheet metal 4pcs</p>	Punch # 3-2	22
		INSTALLATION MANUAL		

Components (cont.)

NAME		SNOW HOOD PANELS		SET SCREW	MANUALS, ETC.	
QUANTITY		SEE BELOW		QUANTITY	1 pc.	
SHAPE	Double Fan – FRONT (Assembled) KPS00401			Punch # 4-1	40	INSTALLATION MANUAL
	Panel Quantity: Sheet metal 8pcs					
	Double Fan – REAR (Assembled) KPS00403			Punch # 4-3	21	
Panel Quantity: Sheet metal 4pcs						
Double Fan – SIDE (Assembled) KPS00402			Punch # 4-2	22		
Panel Quantity: Sheet metal 4pcs						

SPECIAL CONSIDERATIONS BEFORE SNOW HOOD INSTALLATION

1. These snow hoods extend approximately 22" beyond the front, rear and sides of the condensing unit when installed. Please keep this in mind when planning new installations or considering these accessories as a system upgrade.
 - Service space requirement for the back and sides of the condensing unit must be at least 22" greater than the service space requirements provided in the condensing unit installation manual and engineering guide.
2. It is recommended that the condensing units be mounted at least 12" higher than the average snowfall amount for the location.
3. Do not damage the paint of the unit during installation
4. In the rooftop and open space, install the wire fixture (K-KYZP15C) to prevent overturning and reinforce it. Refer to installation manual of the wire fixture for the details.
5. Unit air discharge direction should not be facing against the wind air direction.
6. In case of multi connection, Side snow hood may not be required. Install connection sheet metal to prevent snow accumulation from the gap between the multi connected units.

FIG. 1

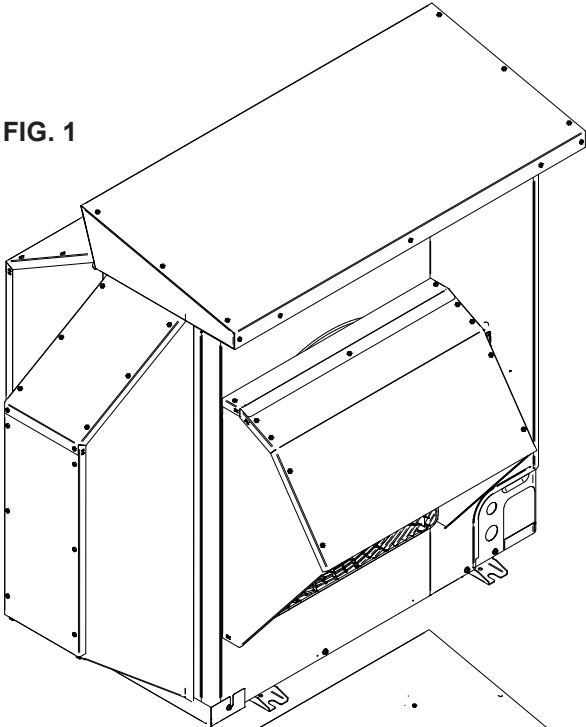


FIG. 2

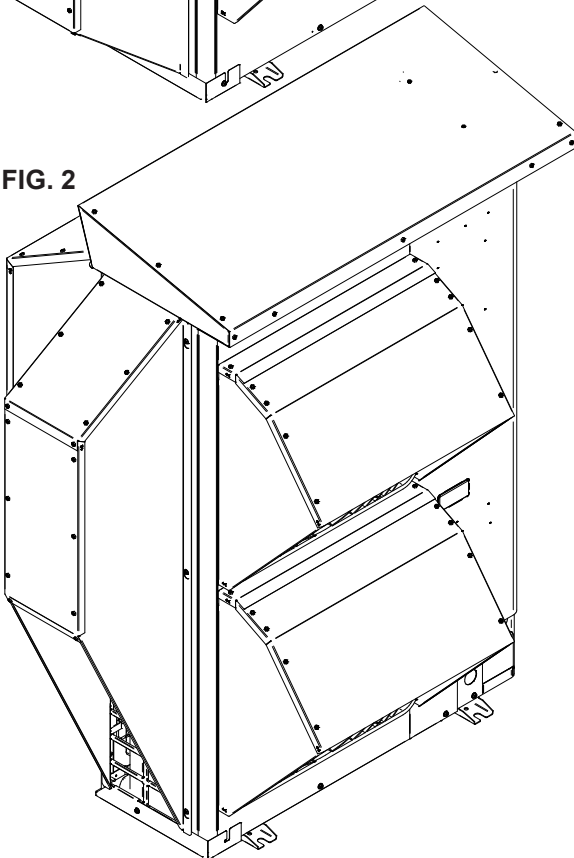
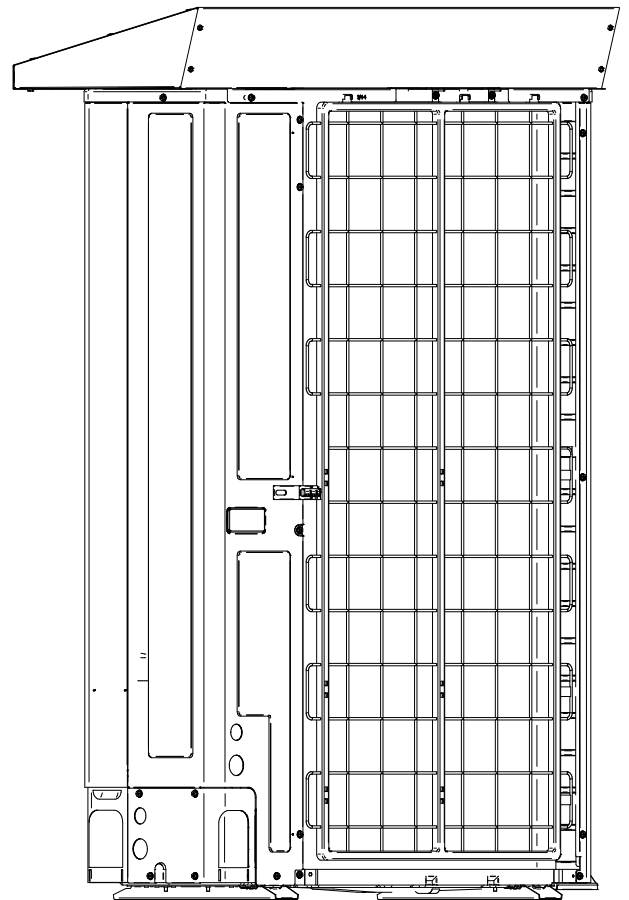
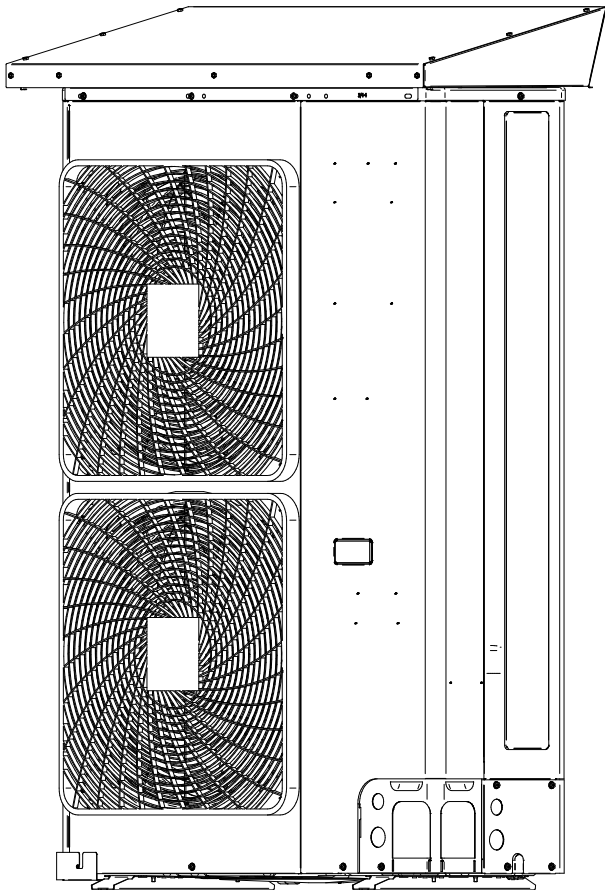
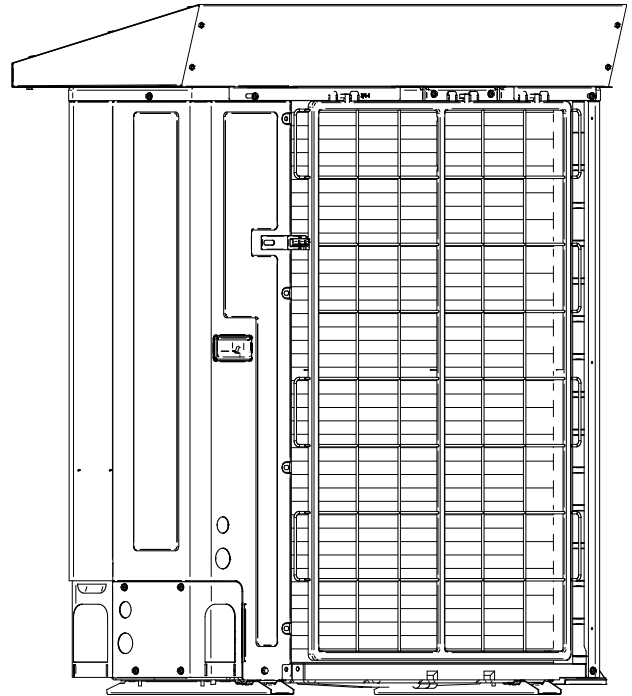
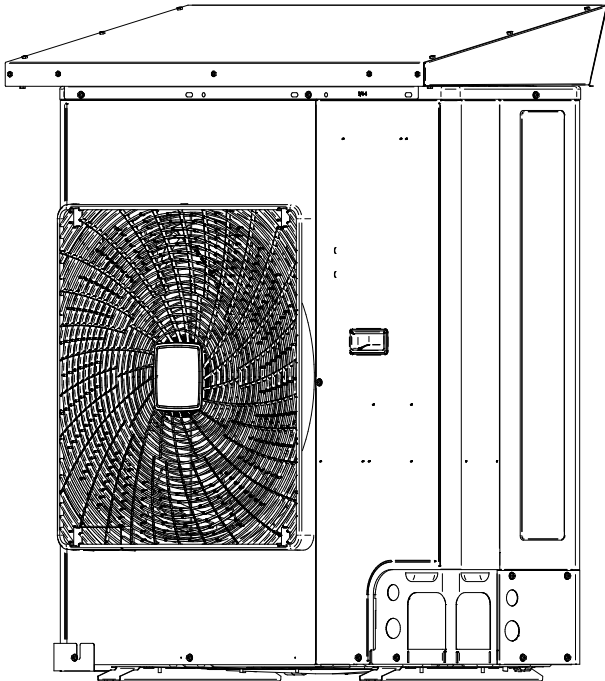


Figure 1 and Figure 2 – Installation direction

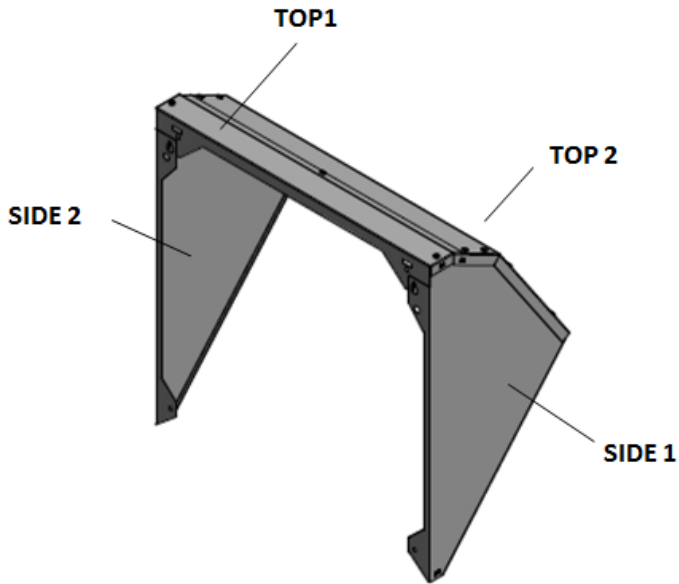
7. **Snow visor should be installed before any snow hood assembly installation.**

SINGLE/DOUBLE FAN SNOW VISOR INSTALLATION

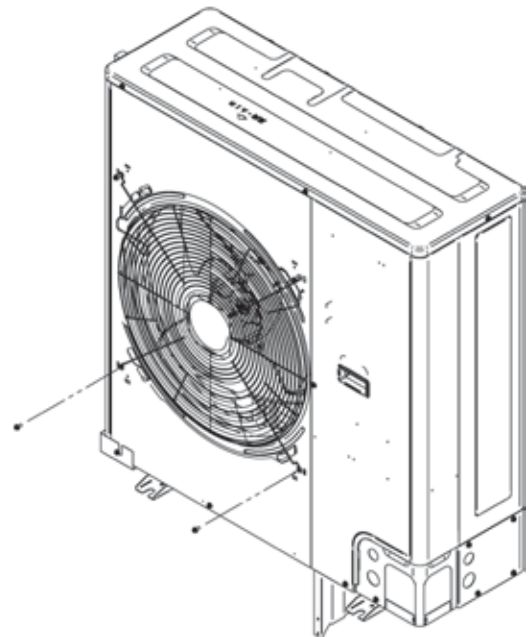
1. Remove all existing screws from the top section of the condenser unit (save all).
2. Carefully place the snow visor assembly on top of the unit and secure using the saved existing screws



SINGLE/DOUBLE FAN FRONT SNOW HOOD INSTALLATION

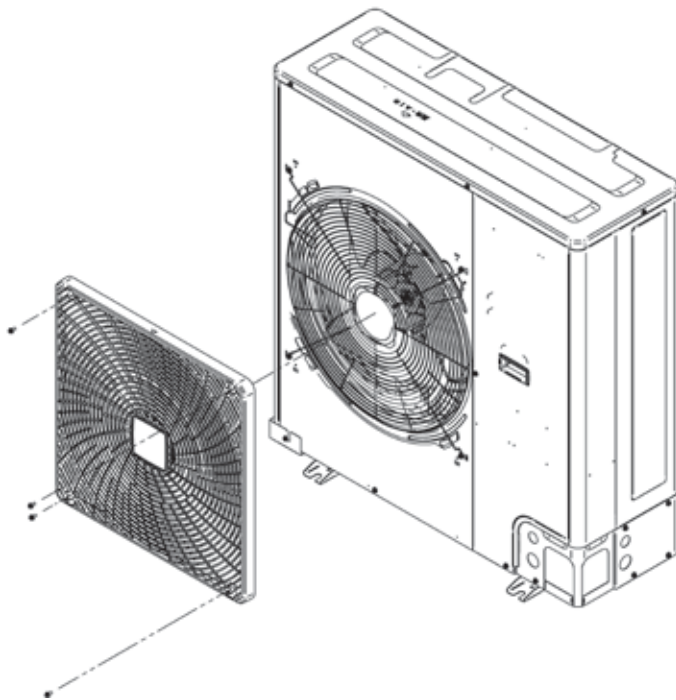


Front Snow Hood Assembly



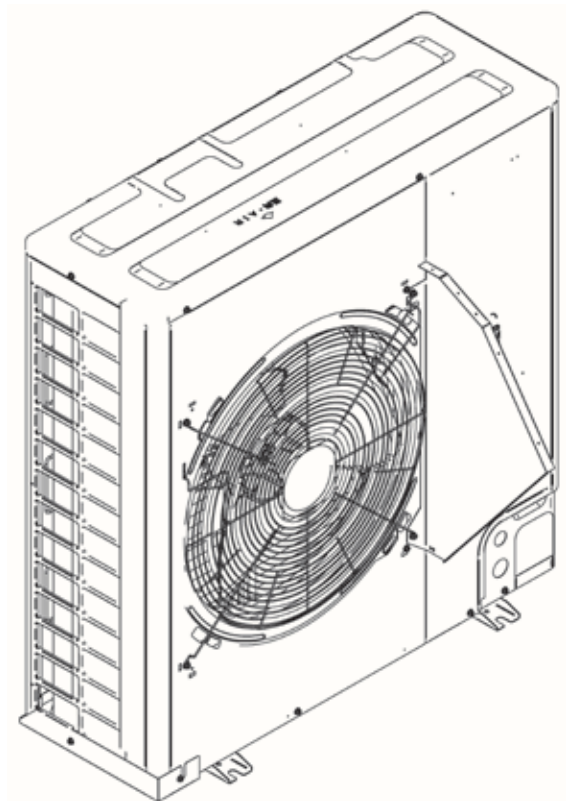
(Image 1b)

1. Unscrew the four (4) screws that are holding the Plastic grill. Remove front plastic grill (Image 1a below).
 - Save the four (4) screws and Plastic grill.
4. Install SIDE2 to the condenser unit by placing it behind the fan guard metal on the top and bottom. Align the bottom screw hole with the hole in the hood side and secure using the screw removed in step 3.
 - Push the top of SIDE2 all the way in until it stops and tighten the top screw (Image 1c).



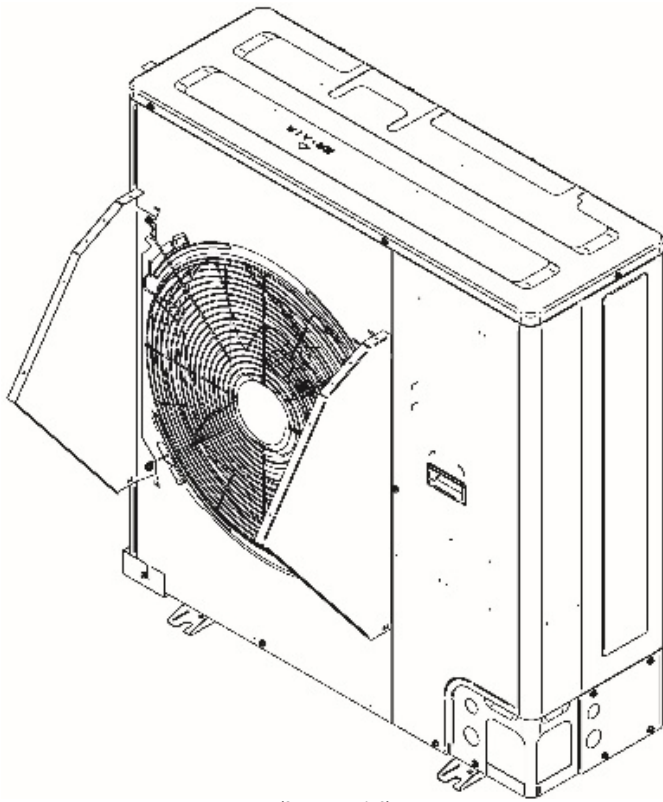
(Image 1a)

2. Loosen the two (2) top screws that are holding the fan guard to the unit. (Do not remove.)
3. Remove the two (2) bottom screws that are holding the fan guard to the unit
 - Save the two (2) bottom screws (Image 1b).



(Image 1c)

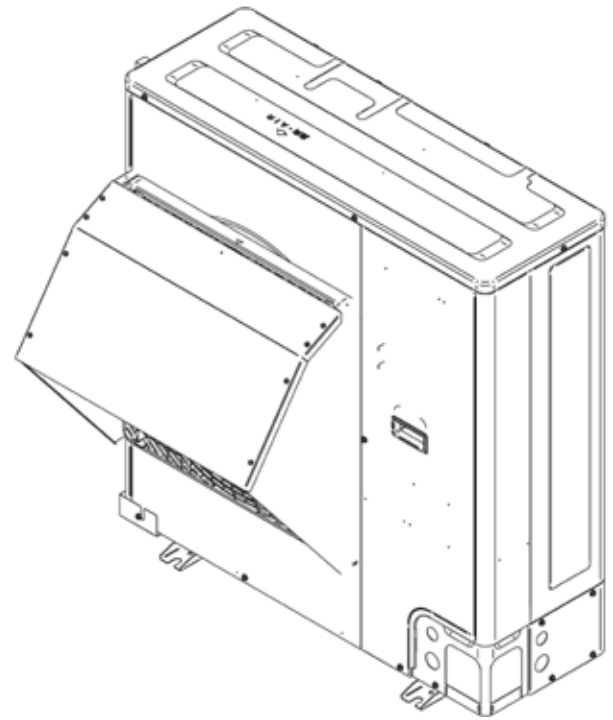
5. Repeat above step for SIDE1 Installation. (Image 1d)



(Image 1d)

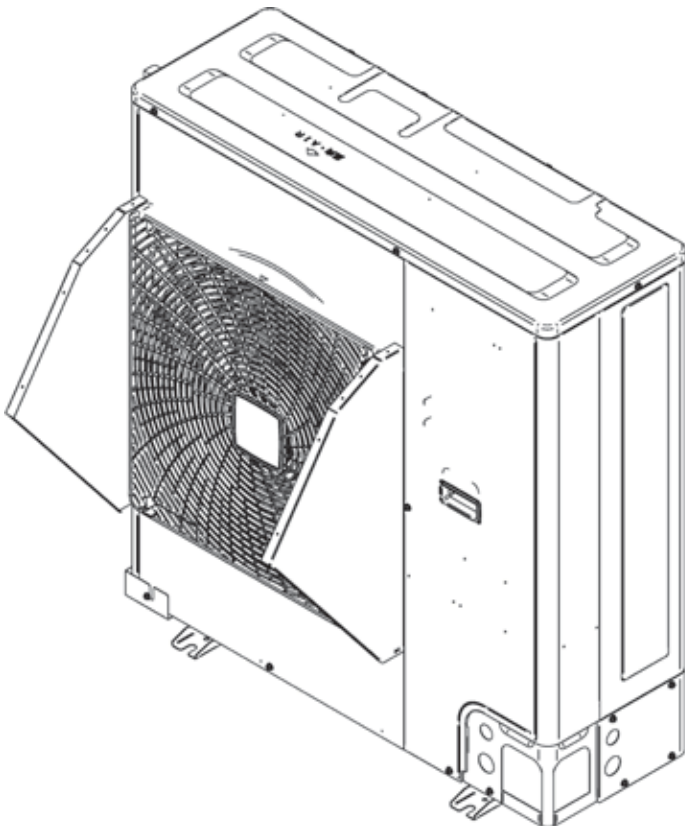
6. Reinstall the front plastic grill removed in step 1 (Image 1e).

7. Install TOP2 securing to the hood sides using eight (8) provided screws (Image 1f).

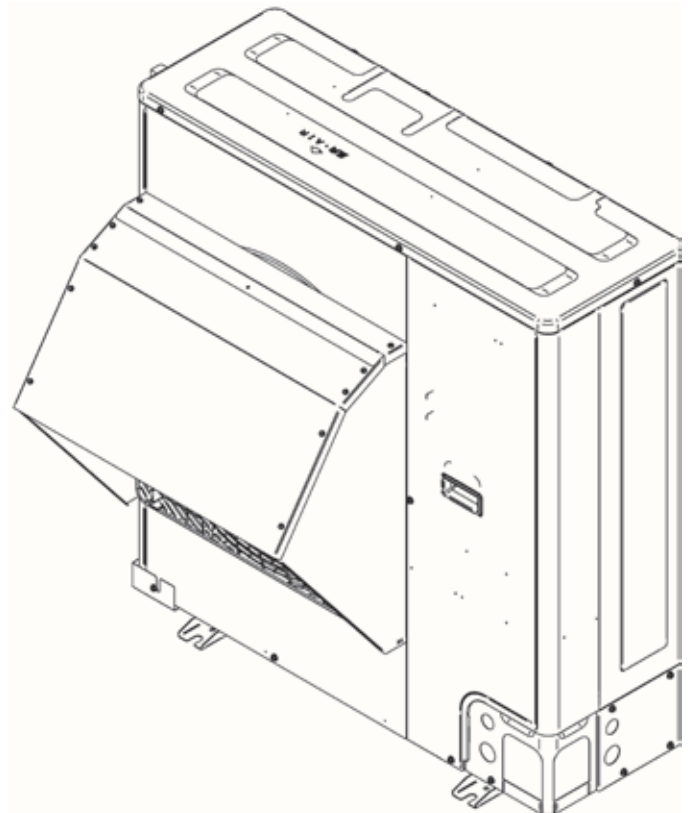


(Image 1f)

8. Install TOP1 with its lower flange sitting above TOP2 and securing to the hood sides using two (2) provided screws (Image 1g).

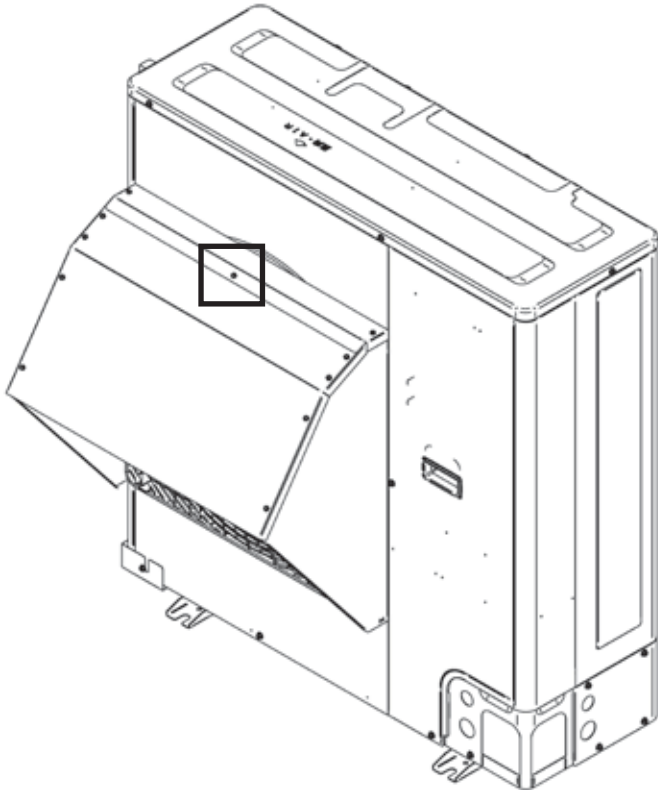


(Image 1e)



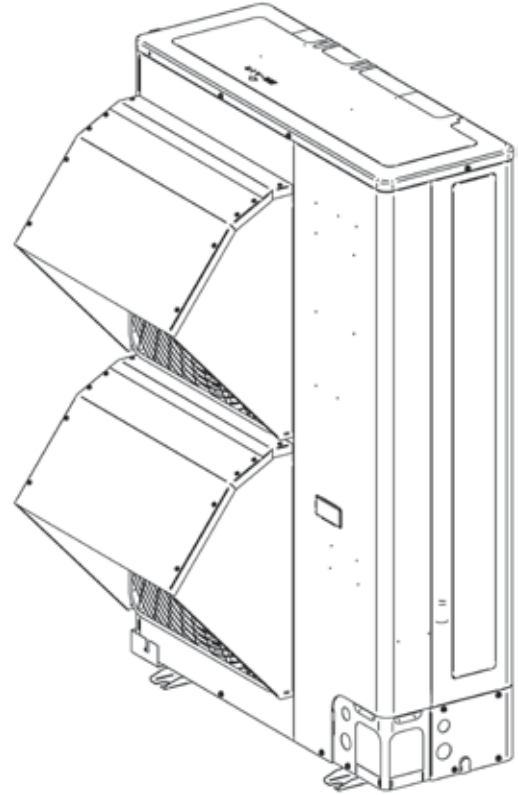
(Image 1g)

Double Fan – Repeat above process for both fans
Start with BOTTOM fan FIRST* (Image 2a)



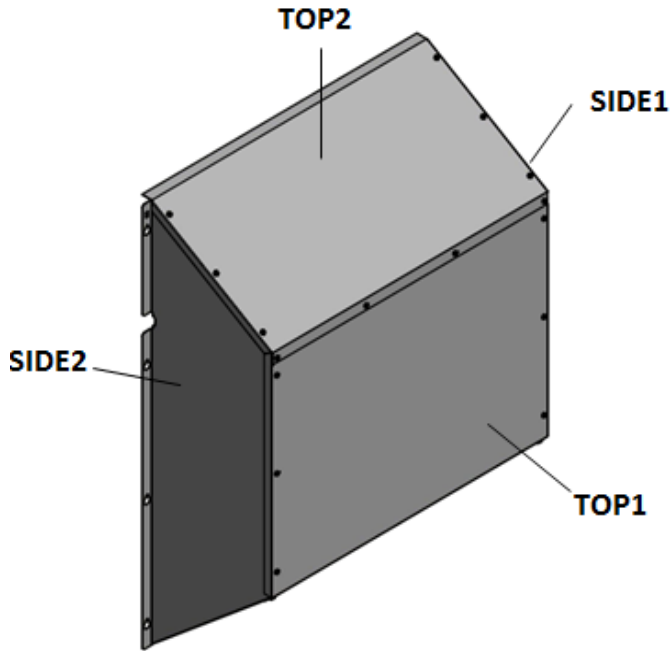
(Image 1h)

9. Secure TOP1 & TOP2 together by using one (1) provided screw in the middle. (Image 1h)



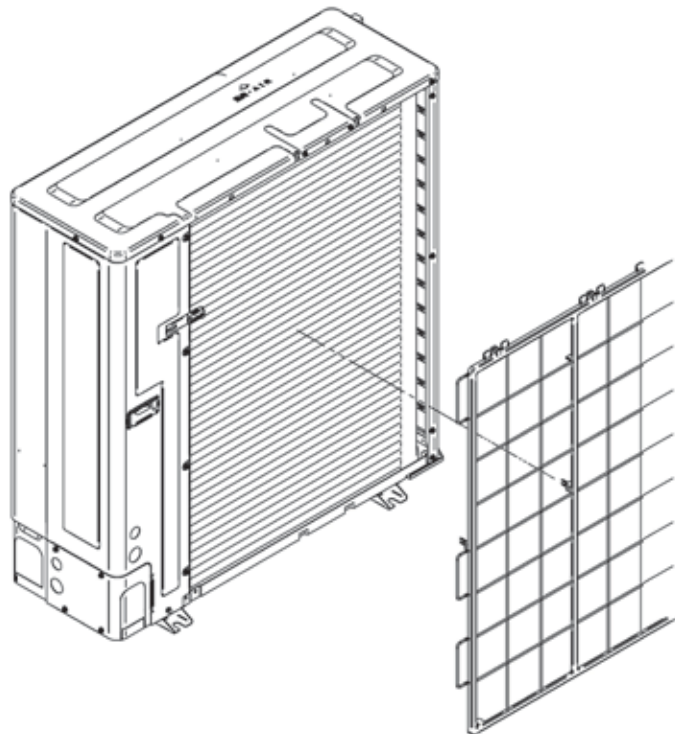
(Image 2a)

SINGLE/DOUBLE FAN REAR SNOW HOOD INSTALLATION



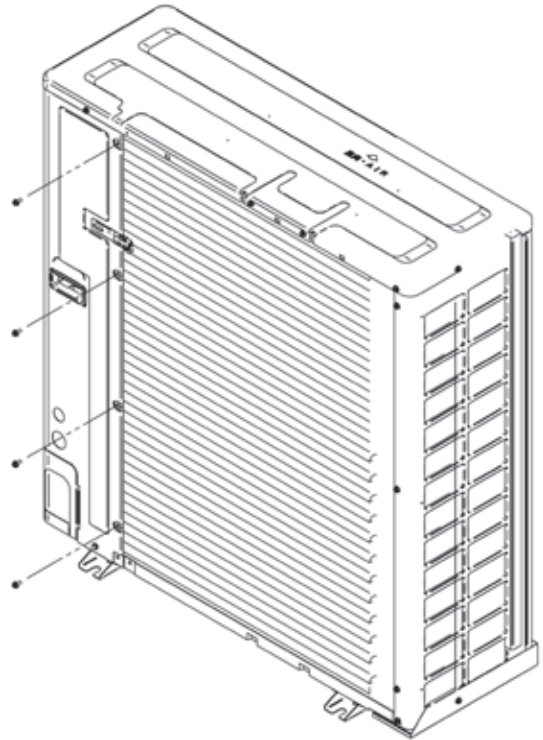
Rear Snow Hood Assembly

1. Remove the plastic grill from the condenser unit (Image 3a).



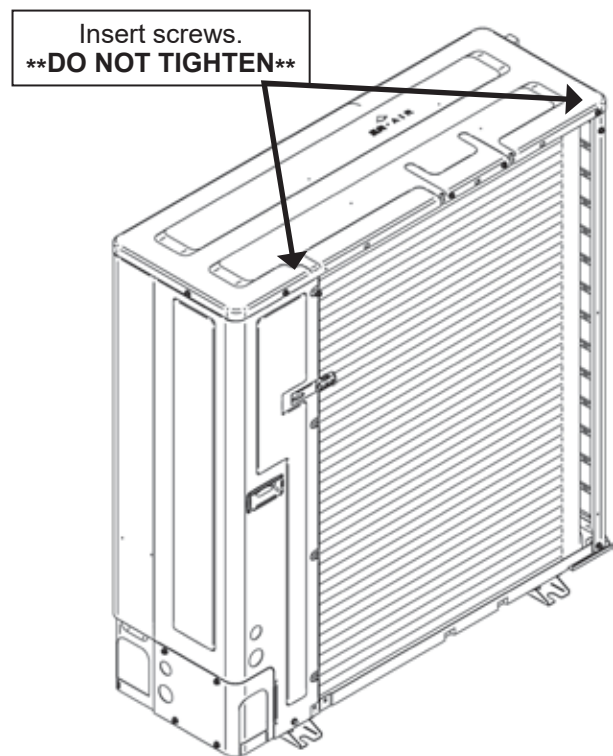
(Image 3a)

2. Remove the four (4) existing screws from the left side of the condenser unit and save (Image 3b).



(Image 3b)

3. Install two (2) screws into the top holes (one on the right; one on the left). **DO NOT TIGHTEN** (Image 3c).



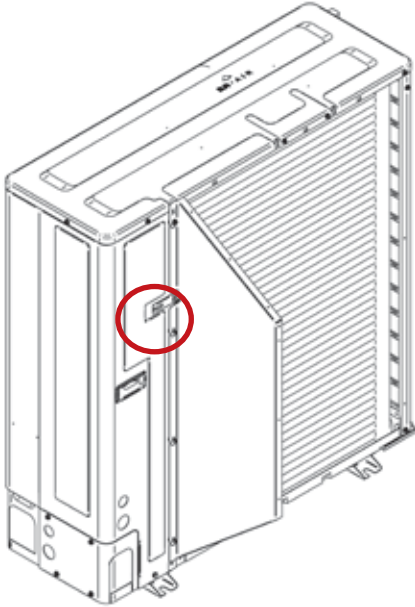
(Image 3c)

CAUTION

WHEN INSTALLING SIDE2 USE CARE NOT TO DAMAGE THE CONDENSER SENSOR

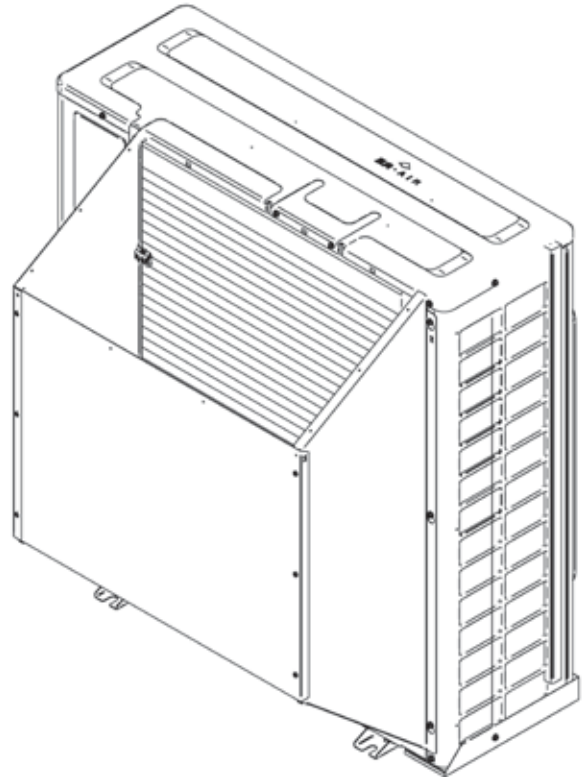
4. Place SIDE1 and SIDE 2 on top of the top Right and Left screws (hanging from the screw).

- Secure SIDE1 and SIDE 2 to the condenser unit by tightening the top screw and using three (3) provided screws (Image 3d and 3e).



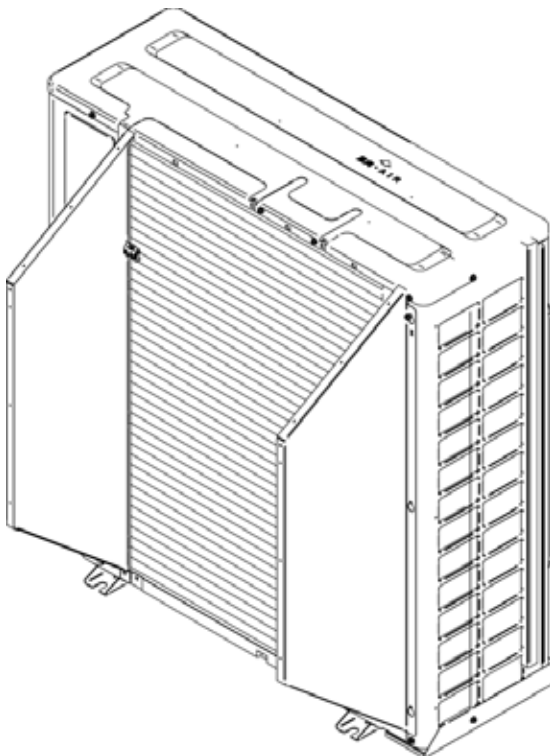
(Image 3d)

5. Attach TOP1 to SIDE1 and SIDE2 using six (6) provided screws on the surface; two (2) provided screws on the bottom. Do not put screws in 2 upper holes (Image 3f).

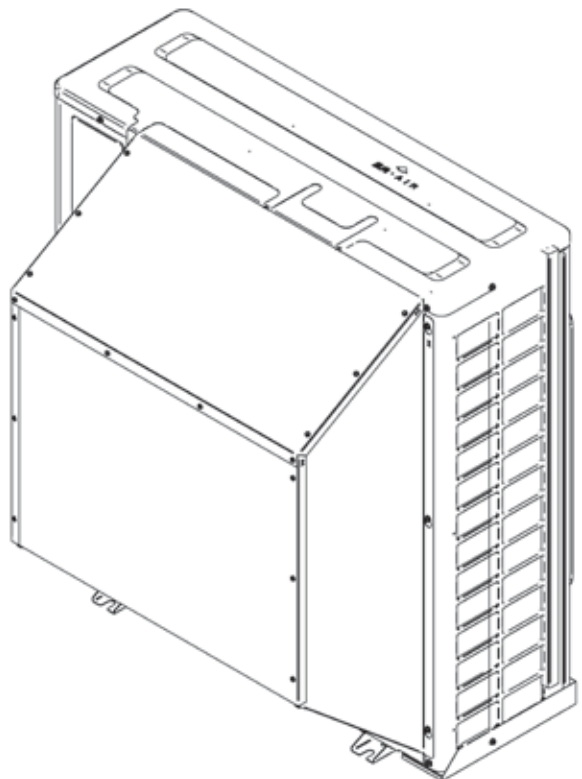


(Image 3f)

6. Install TOP2 on top and secure using six (6) provided screws on the surface; four (4) provided screws securing to TOP 1 (Image 3g).

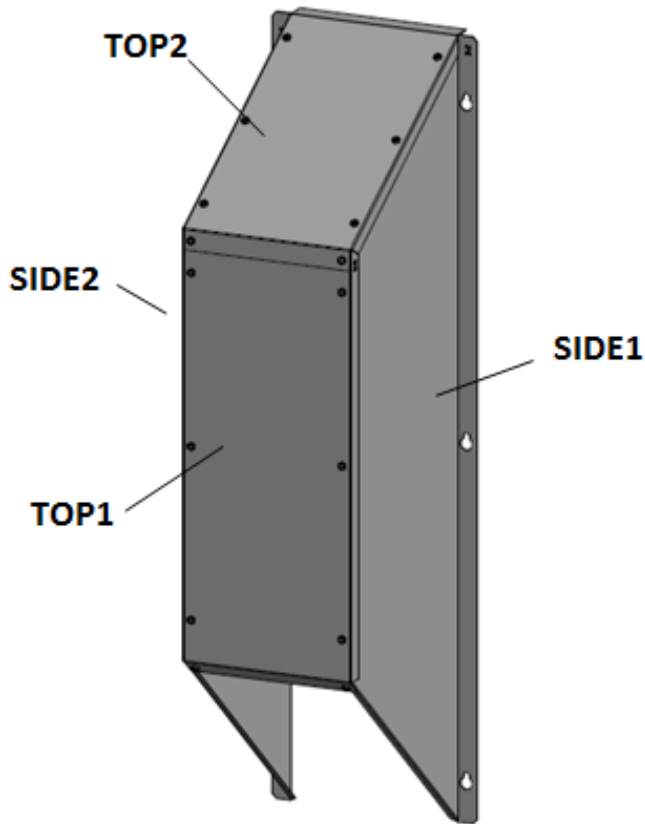


(Image 3e)



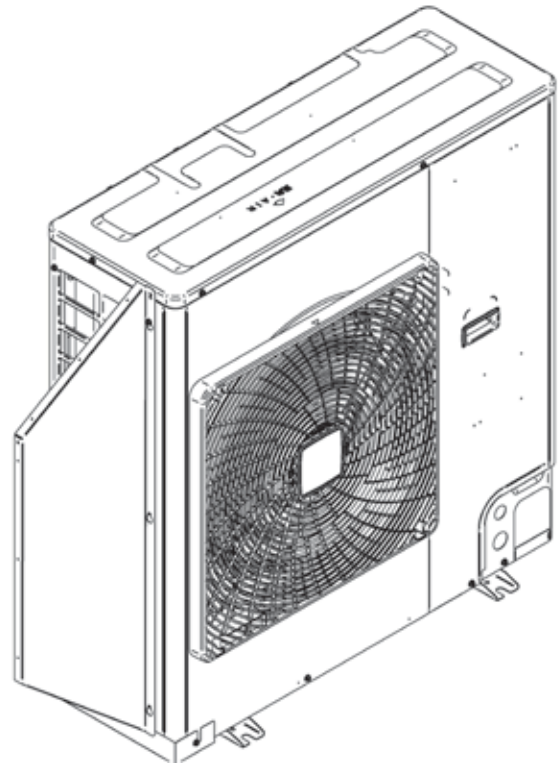
(Image 3g)

**SINGLE/DOUBLE FAN
SIDE SNOW HOOD INSTALLATION**



Side Snow Hood Assembly

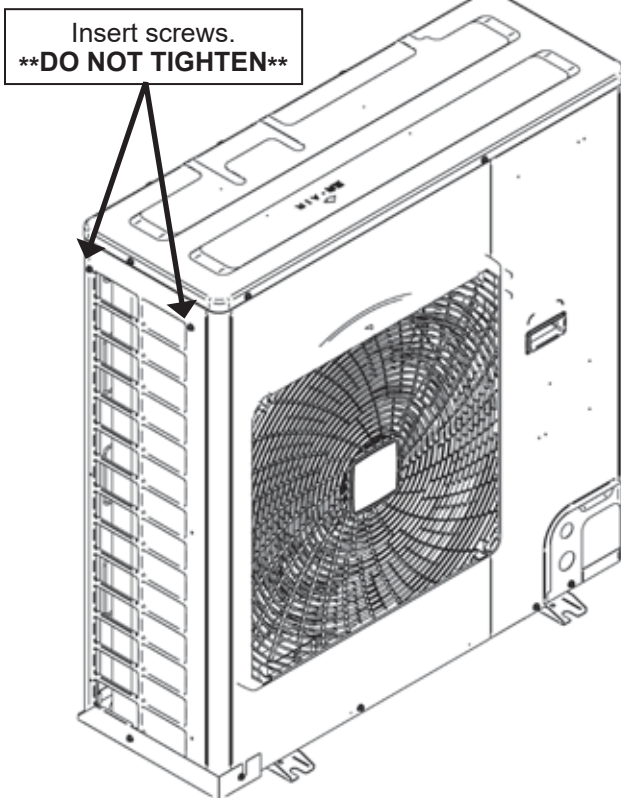
2. Place SIDE1 on top of the top right screw (hanging from the screw (Image 4b))



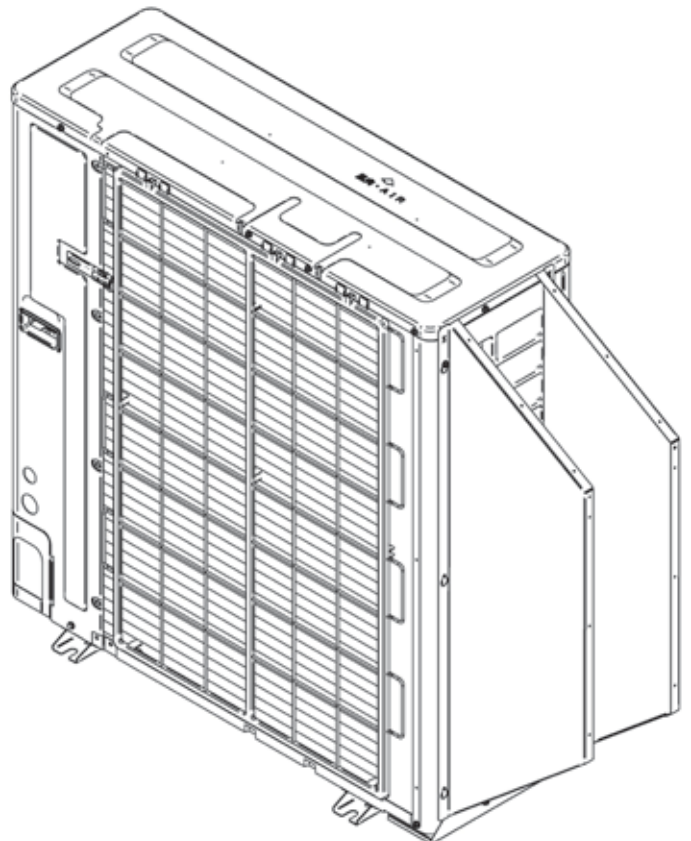
(Image 4b)

1. Install two (2) provided screws into the top side holes (one on the right; one on the left). **DO NOT TIGHTEN** (Image 4a)

3. Slide SIDE2 on top of the top left screw (hanging from the screw (Image 4c))

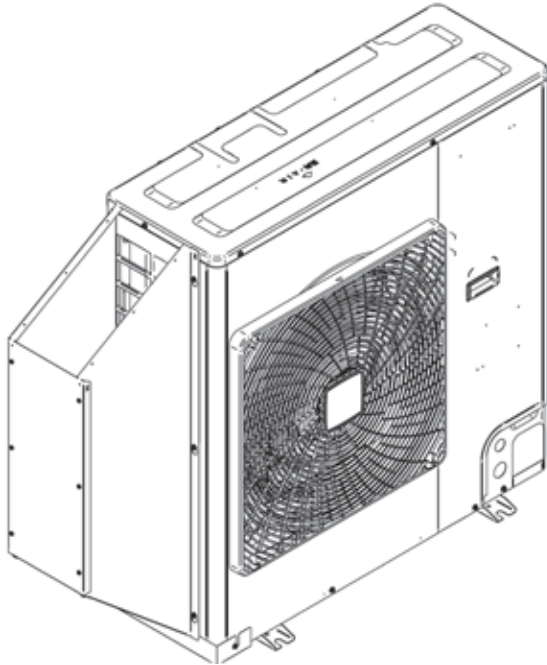


(Image 4a)



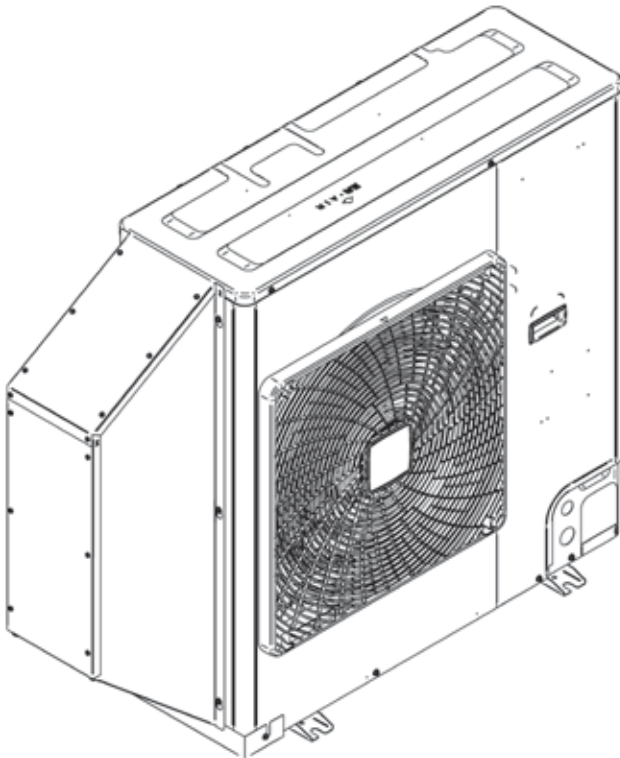
(Image 4c)

4. Insert four (4) provided screws into existing holes; two (2) on each side of the condenser unit.
5. Tighten screws on both sides.
6. Attach TOP1 to SIDE1 and SIDE2.
 - Secure TOP1 to SIDE1 and SIDE2 using six (6) provided screws. Do not put screws in 2 upper holes (Image 4d).



(Image 4d)

7. Install TOP2 on top and secure using six (6) provided screws on the surface and two (2) provided screws securing to TOP1 (Image 4e).



(Image 4e)

THIS PAGE LEFT INTENTIONALLY BLANK

THIS PAGE LEFT INTENTIONALLY BLANK

CUSTOMER FEEDBACK

Daikin is very interested in all product comments.

Please fill out the feedback form on the following link:

<https://daikincomfort.com/contact-us>

You can also scan the QR code on the right to be directed to the feedback page.



Our continuing commitment to quality products may mean a change in specifications without notice.

© 2019 **DAIKIN COMPANY, L.P.**
5151 San Felipe St., Suite 500, Houston, TX 77056
www.daikincomfort.com