

DFC | DFG | DFH

DAIKIN

AC | GAS/ELECTRIC: 3 - 25 Ton
HEAT PUMP: 3 - 10 Ton



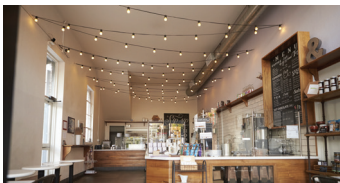
BUILT TO PERFORM



Commercial Comfort. No Compromise.

As you think about the functionality of your property's indoor comfort, the Daikin portfolio of solutions is ready to help you achieve control, energy efficiency, and long-term peace of mind. Take that attention to quality one step further by considering a state-of-the-art Daikin brand, energy-efficient Light Commercial Rooftop system. We have designed and engineered all our products to provide years of consistent indoor comfort — delivering the type of comfort you never thought possible.

Daikin Packaged Rooftop Units (RTUs) are built to perform, with features and options that help provide low installation and operation costs, superior indoor air quality, efficient operation, and longevity. With options for a wide range of application opportunities, Daikin RTUs are designed with fast and easy installation in mind and are ideal for both new construction and retrofit projects.



RETAIL



RESTAURANT



HOTEL/HOSPITALITY



GYMS



EDUCATION



OFFICE



HEALTHCARE



BANKS



CURB APPEAL, ENERGY-EFFICIENT PERFORMANCE, AND QUALITY.

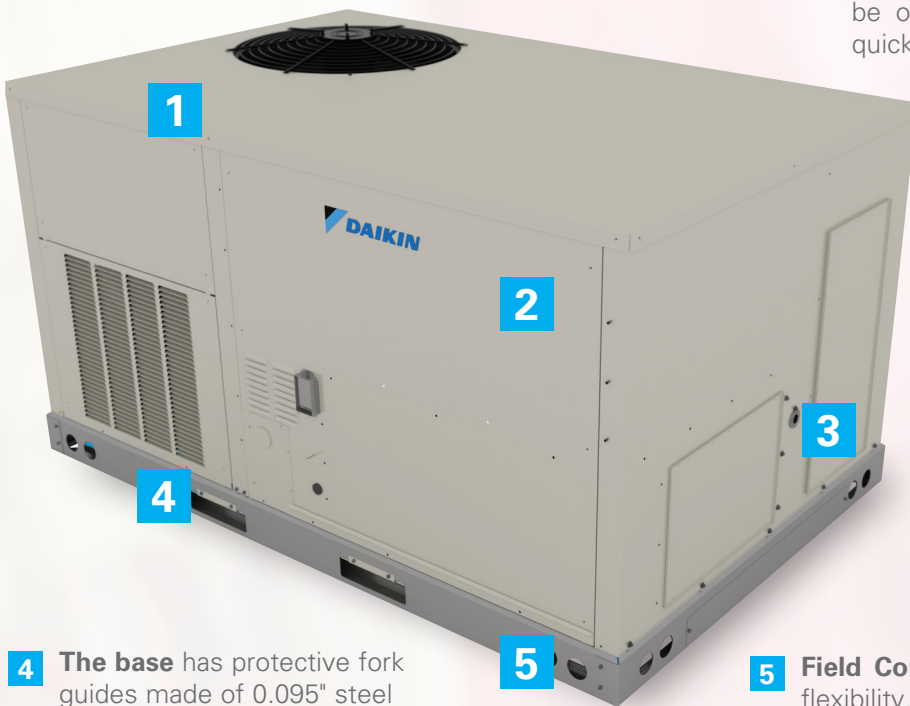
Raise the bar with *Daikin Air Intelligence!*

With Daikin's new line of Light Commercial Packaged RTUs, bring ease of installation, efficient operation, and outstanding limited warranty* coverage to the forefront of every project. Whether you need a straight cooling unit, heat pump, or gas/electric, you'll find cogent features that meet your project needs as well as our most durable tubular heat exchanger. When you want the best, don't compromise. Demand Daikin!

KEY FEATURES:

1 Weather Resistant Cabinet. Manufactured at the Daikin Texas Technology Park (DTTP), the cabinet is constructed of painted heavy-gauge galvanized steel and steel base rail to provide structural integrity. The all-new design features downward turned base pan flanges which brings additional protection of the interior from the environment.

2 Serviceability. Ease of serviceability is essential to help streamline installation, service, and maintenance. With this in mind, serviceability was a top priority in the new Daikin RTU design. The new design features easy access to the fan, motor, controls, and compressor. Filter access doors and optional hinged panels can be opened without the use of tools to provide quick access.



3 Installation. All sizes include built-in through the base options and horizontal access knockouts, for easy infield wiring and piping installation. Another benefit of the new design is that it fits many existing unit footprints without the need for a curb adaptor (3 – 10 Ton).

4 The base has protective fork guides made of 0.095" steel help to limit handling damage.

5 Field Conversion. To drive application flexibility, the supply and return can be field converted (Available on sizes 3 – 10 Ton for small and medium chassis) from downflow to horizontal, and help with easier installation (compared to previous designs) using our 1" ducting flanges.

OUTSTANDING WARRANTY* PROTECTION

DFC / DFH	DFG

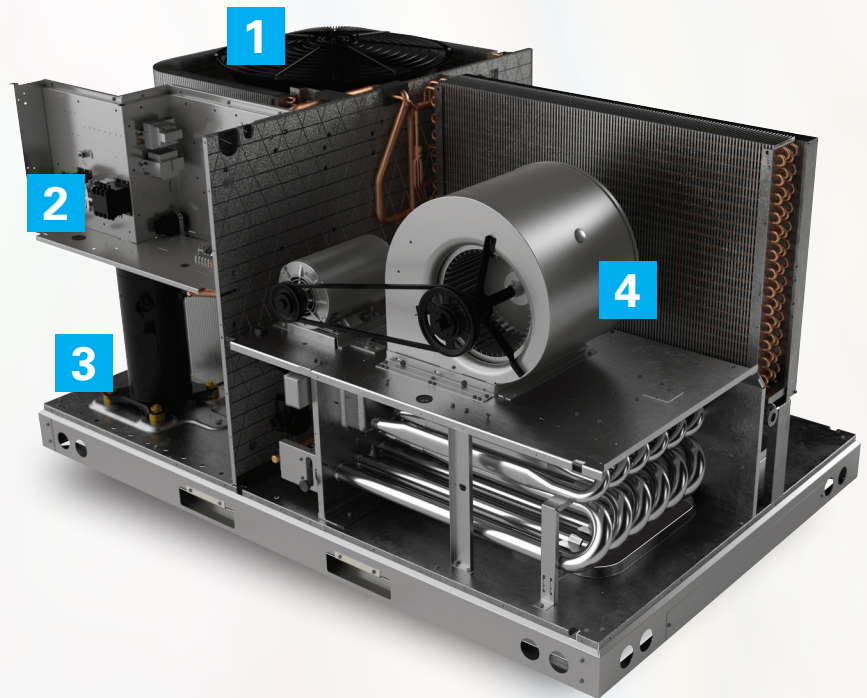
* Complete warranty details available from your local dealer/distributor or at www.daikincomfort.com or www.daikinac.com.

KEY FACTORY INSTALLED OPTIONS (FIOPS)*:

- » Ultra Low-leak Downflow Economizer
- » Low-leak Downflow Economizer
- » Stainless Steel HX (Gas/Electric Units)
- » Non-fused Disconnect Switch
- » Non-powered Convenience Outlet
- » Low-Ambient Kits
- » Phase Monitors
- » Smoke Detectors
- » Powered Convenience Outlet
- » Hinged Panels
- » Hail Guard

* Not all FIOPs available at initial launch

TECHNOLOGY THAT MATTERS



1 Micro Channel Technology. Micro Channel technology¹ creates a high efficiency coil with increased airflow heat transfer and lasting durability.

2 Wiring. All sizes include built-in through the base options and horizontal access knockouts, for easy infield wiring and piping installation.

3 Compressor. Single and two-stage scroll compressor helps improve unit efficiency, reliability, and quiet operation.

4 Direct-Drive Motor. Helps improve performance and eliminates the need for routine maintenance. 5 individual speed taps can be selected to meet individual building needs. Medium and high static range for applications of up to 2 in. w.g. of ESP are also available.

¹ Select models



LEARN MORE AT
[http://www.daikinac.com/
content/light-commercial](http://www.daikinac.com/content/light-commercial)

AppStat™

The *AppStat* is a field-installed option used with Light Commercial systems. The *AppStat* thermostats provide built-in control sequences and a BACnet™ MS TP connection to integrate with a Building Management System (BMS).

- » Stand-alone operation with built-in control programs and configuration options.
- » Bright, full-color LCD display with five buttons for full configuration
- » Native *BACnet* application-specific controller

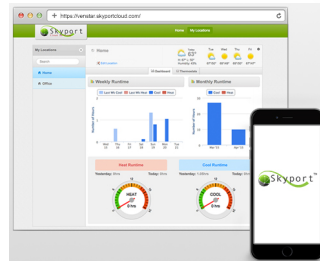


THERMOSTATS WITH CONNECTIVITY AND SKYPORT™ CLOUD

COLORTOUCH® THERMOSTAT



CLOUD APPLICATION



WIRELESS TEMP. SENSOR



NEW!

DAIKIN LCXPRESS SELECTION TOOL

A product configuration tool designed for Daikin rooftop units. With the new LCXpress Tool:

- Select and build the proper packaged system (based on project needs)
- Develop performance reports
- Full submittal report development capabilities
- Generate mechanical schedules and more

ABOUT DAIKIN

Daikin Industries, Ltd. (DIL) is a global Fortune 1000 company and is recognized as one of the largest HVAC (Heating, Ventilation, Air Conditioning) manufacturers in the world. Founded in 1924, Daikin is approaching 100 years of HVAC worldwide leadership. DIL is primarily engaged in developing indoor comfort systems and refrigeration products for residential, commercial, and industrial applications. Its consistent success is derived, in part, from a focus on innovative, energy-efficient, and premium quality indoor climate and comfort management solutions.

ADDITIONAL INFORMATION

Before purchasing an appliance in this document, read important information about its energy efficiency rating that is available from your retailer.

Contact your local Daikin manufacturer's representative or distributor for more information.



Our continuing commitment to quality products may mean a change in specifications without notice.

© 2022 **DAIKIN COMFORT TECHNOLOGIES NORTH AMERICA, INC.** · Houston, Texas · USA · www.daikincomfort.com or www.daikinac.com

CB-LCBASE_09-22