

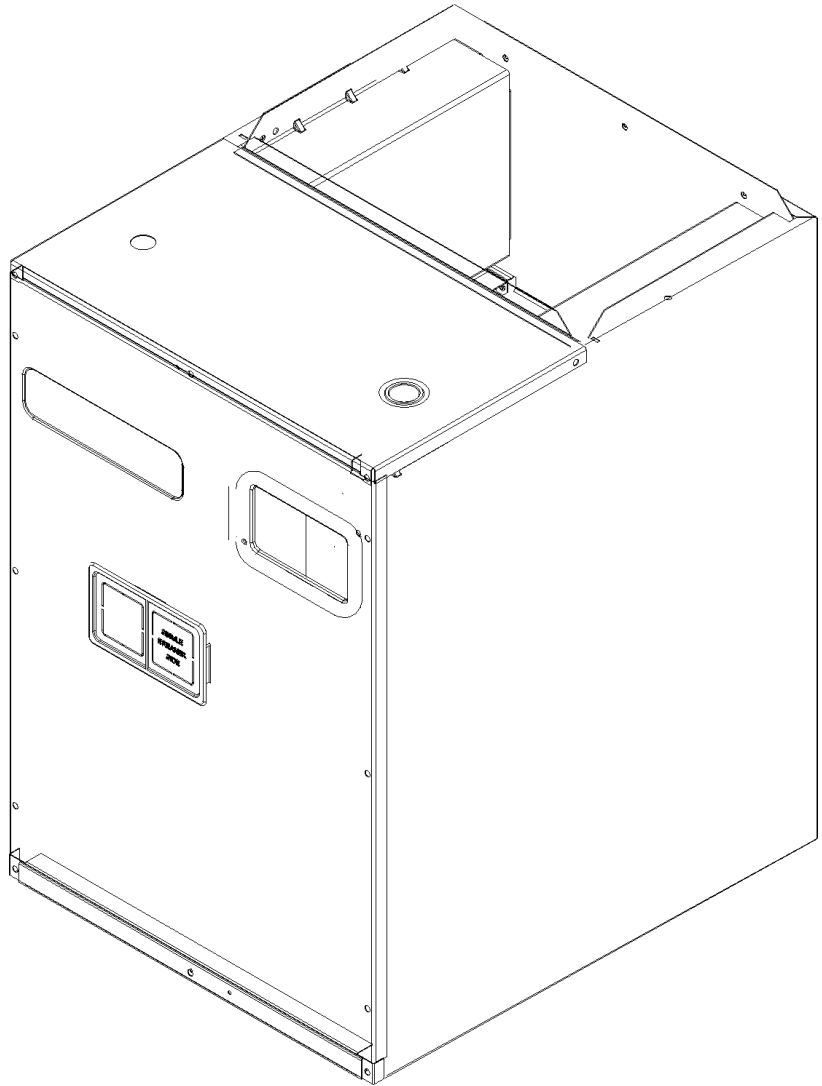
REPAIR PARTS

MBVC Modular Blower Variable Speed

MBVC1200AA-1AF

MBVC1600AA-1AF

MBVC2000AA-1AF



This manual is to be used by qualified technicians only.

© 2017 Goodman Manufacturing Company, L.P. ♦ 5151 San Felipe St., Suite 500 ♦ Houston, TX 77056

Important Information

Index

Functional Parts List	3
Illustration and Parts	4 - 7

Views shown are for parts illustrations only, not servicing procedures

Text Codes:

AR - As Required

NA - Not Available

NS - Not Shown

00000000 - See Note

QTY - Quantity Example (QTY 3) (If Quantity not shown, Quantity = 1)

M - Model Example (M1) (If M Code not shown, then part is used on all Models)

Expanded Model Nomenclature:

Example M1 - Model#1 M2 - Model#2 M3 - Model#3

Goodman Manufacturing Company, L.P. is not responsible for personal injury or property damage resulting from improper service. Review all service information before beginning repairs.

Warranty service must be performed by an authorized technician, using authorized factory parts. If service is required after the warranty expires, Goodman Manufacturing Company, L.P. also recommends contacting an authorized technician and using authorized factory parts.

Goodman Manufacturing Company, L.P. reserves the right to discontinue, or change at any time, specifications or designs without notice or without incurring obligations.

For assistance within the U.S.A. contact:
Homeowner Support
Goodman Manufacturing Company, L.P.
19001 Kermier Road
Waller, Texas 77484
877-254-4729-Telephone
713-863-2382-Facsimile

For assistance outside the U.S.A. contact:
International Division
Goodman Manufacturing Company, L.P.
19001 Kermier Road
Waller, Texas 77484
713-861-2500-Telephone
713-863-2382-Facsimile

Functional Parts

Part

No: Description:

0130A00028	DATA, AIR HANDLER PCB (M3)
0130A00027	DATA, AIR HANDLER PCB (M2)
0130A00026	DATA, AIR HANDLER PCB (M1)
0131M00270	MOTOR, 1/2 HP, SERIAL ECM (M1)
0131M00271	MOTOR, 3/4 HP, SERIAL ECM (M2, M3)
PCBJA104	PCB, CONTROL, AIR HANDLER
0130M00138	TRANSFORMER 208/230, 24V

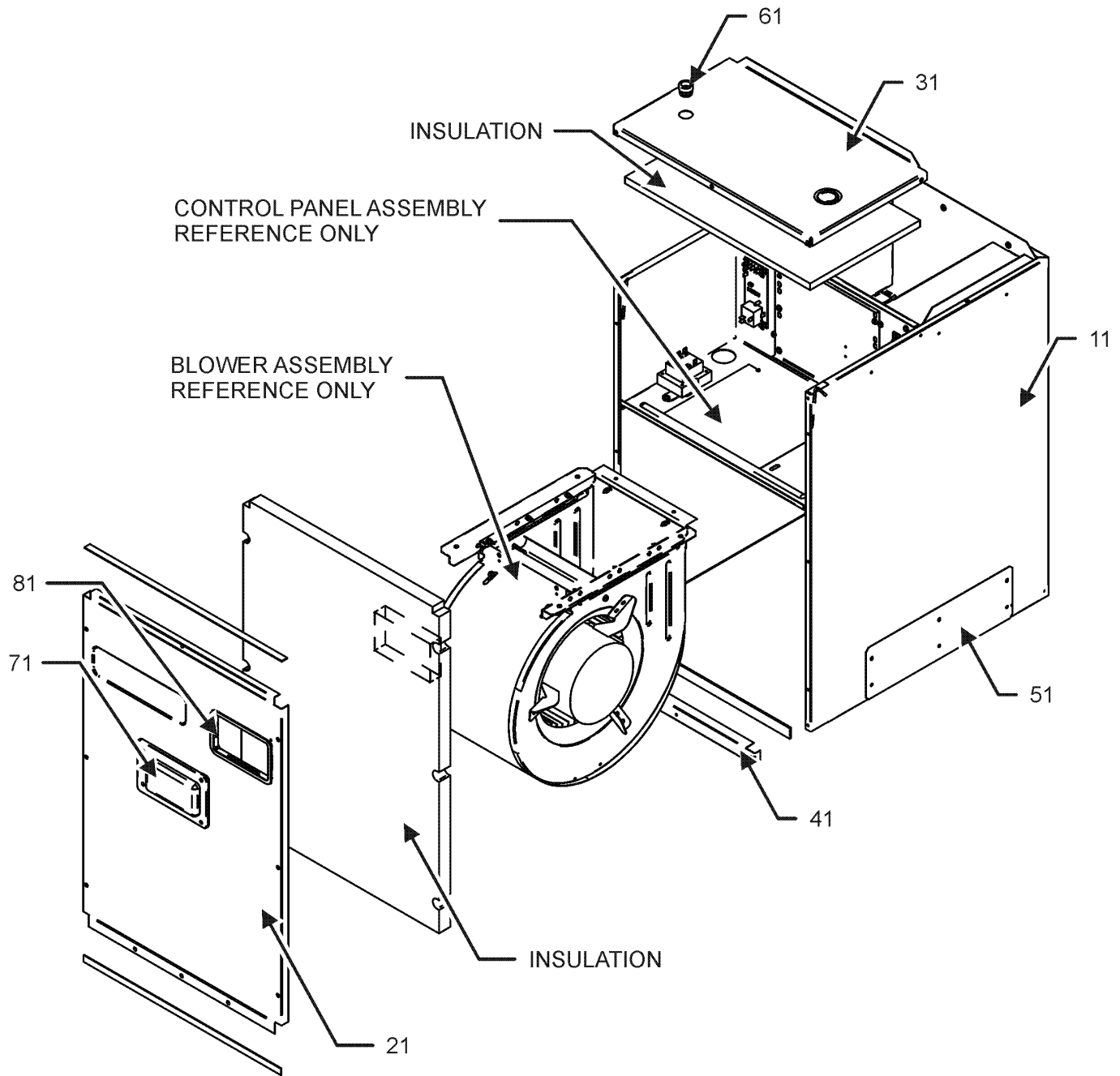
Expanded Model Nomenclature

M1 - MBVC1200AA-1AF

M2 - MBVC1600AA-1AF

M3 - MBVC2000AA-1AF

CABINET ASSEMBLY



CABIENT ASSEMBLY

Ref. Part No: No:	Description:	Ref. Part No: No:	Description:
-------------------	--------------	-------------------	--------------

Image 1:

11	5002010PDG	WRAPPER 17.5" X 26" (M1)
11	5002011PDG	WRAPPER 21" X 30" (M2)
11	5002012PDG	WRAPPER 24.5" X 30" (M3)
21	0121A01131PDG	FRONT PANEL, PAINTED (M1)
21	0121A01132PDG	FRONT PANEL, PAINTED (M2)
21	0121A01133PDG	FRONT PANEL, PAINTED (M3)
31	5601000PDG	TOP PLATE (M1)
31	5601001PDG	TOP PLATE (M2)
31	5601002PDG	TOP PLATE (M3)
41	0121A01125PDG	RAIL, BOTTOM 17.5", PAINTED (M1)
41	0121A01126PDG	RAIL, BOTTOM 21", PAINTED (M2)
41	0121A01127PDG	RAIL, BOTTOM 24.5", PAINTED (M3)
51	5651200PDG	TIE-IN PLATE (QTY 2)
61	B1392020	PLASTIC PLUG, .687 DIA
71	0161A00073	CIRCUIT BREAKER COVER
81	B13926122	CIRCUIT BREAKER INSERT GASKET

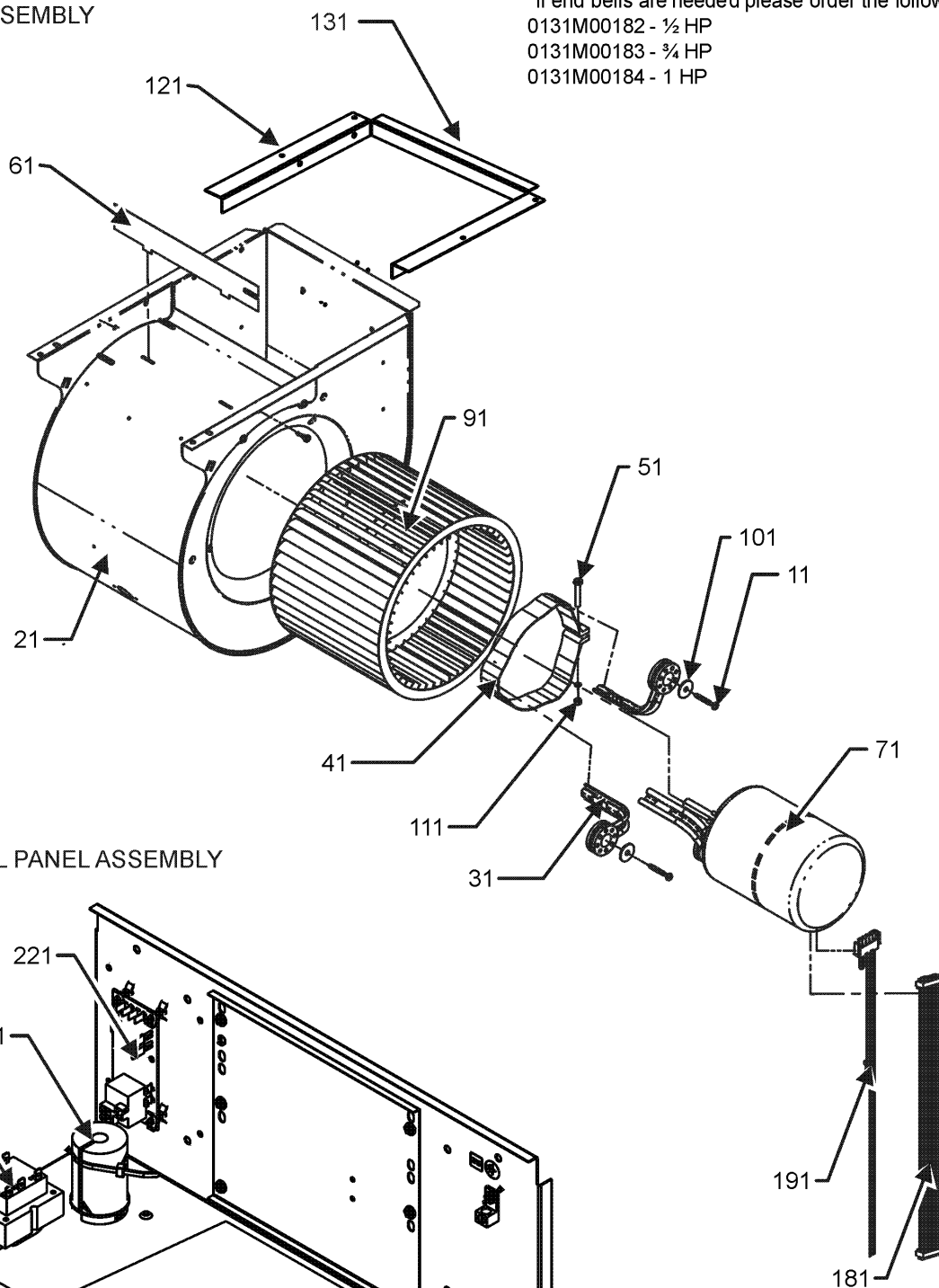
Expanded Model Nomenclature

M1 - MBVC1200AA-1AF
M2 - MBVC1600AA-1AF
M3 - MBVC2000AA-1AF

BLOWER AND CONTROL PANEL ASSEMBLY

BLOWER ASSEMBLY

*If end bells are needed please order the following:
 0131M00182 - 1/2 HP
 0131M00183 - 3/4 HP
 0131M00184 - 1 HP



CONTROL PANEL ASSEMBLY

NOTE: CONTROL PANEL ASSEMBLY MAY DIFFER FROM WHAT IS SHOWN

BLOWER AND CONTROL PANEL ASSEMBLY

Ref. Part No: No:	Description:	Ref. Part No: No:	Description:
<i>Image 1:</i>			
11	B1393322		MACHINE SCREW HWH 1/4-20 X 1-1/2 BZ (QTY 3)
21	5660205		BLOWER HOUSING ASSY 10 X 8 (M1, M2)
21	5660207		BLOWER SHELL ASSEMBLY (M3)
31	0163A00008		MOTOR MOUNT ARM (M3)
31	B1376853		MOTOR MOUNT ARM (M1, M2)
41	0121M00038		MOTOR MOUNT BAND (M1, M2)
41	0121M00039		MOTOR MOUNT BAND (HEAVY DUTY) (M3)
51	0163M00320		HEX HEAD ALL THREAD TAP BOLT
61	5647002		BLOWER CUT-OFF (M1, M2)
61	1864700		BLOWER CUT-OFF 10 X 10 (M3)
71	0131M00270		MOTOR, 1/2 HP, SERIAL ECM (M1)
71	0131M00271		MOTOR, 3/4 HP, SERIAL ECM (M2, M3)
91	B1368016		BLOWER WHEEL 10 X 8 (M1, M2)
91	B1368000		BLOWER WHEEL 11 X 10 (M3)
101	B1392918		WASHER FLAT (QTY 3)
111	B1393800		LOCKNUT, NYLON, INSERT 1/4, 20
121	5601806		BLOWER RAIL (M1)
121	5601807		BLOWER RAIL (M2, M3)
131	1717111		BLOWER MOUNTING ANGLE (M2)
131	1717112		BLOWER MOUNTING ANGLE (M3)
131	1717113		BLOWER MOUNTING ANGLE (M1)
181	B1378701		WIRE HARNESS, HIGH VOLTAGE (5-PIN ECM)
191	0259A00030		WIRE HARNESS
211	0130M00138		TRANSFORMER 208/230, 24V
221	PCBJA104		PCB, CONTROL, AIR HANDLER
231	0163M00374		CONTROL DECK GROMMET
NS	0130A00026		DATA, AIR HANDLER PCB (M1)
NS	0130A00027		DATA, AIR HANDLER PCB (M2)
NS	0130A00028		DATA, AIR HANDLER PCB (M3)
NS	0259A00028		WIRE ASSY, 9 PIN MALE CONN.
NS	0259A00029		WIRE HARNESS

Expanded Model Nomenclature

M1 - MBVC1200AA-1AF
M2 - MBVC1600AA-1AF
M3 - MBVC2000AA-1AF

*If end bells are needed please order the following:

0131M00182 - 1/2 HP
 0131M00183 - 3/4 HP
 0131M00184 - 1 HP