

REPAIR PARTS

ARUF Air Handler

ARUF25B14AC
ARUF29B14AC
ARUF31B14AC
ARUF37C14AD
ARUF37D14AD
ARUF43C14AD
ARUF43D14AD
ARUF47D14AD
ARUF49D14AD
ARUF61D14AD



This manual is to be used by qualified technicians only.

This manual replaces RP-4325A.

© 2019 Goodman Manufacturing Company, L.P. ♦ 19001 Kermier Rd. ♦ Waller, TX 77484

Important Information

Index

| | |
|------------------------------|-------|
| Functional Parts List | 3 |
| Illustration and Parts | 4 - 9 |

Views shown are for parts illustrations only, not servicing procedures

Text Codes:

AR - As Required

NA - Not Available

NS - Not Shown

00000000 - See Note

QTY - Quantity Example (QTY 3) (If Quantity not shown, Quantity = 1)

M - Model Example (M1) (If M Code not shown, then part is used on all Models)

Expanded Model Nomenclature:

| |
|---|
| Example M1 - Model#1 M2 - Model#2 M3 - Model#3 |
|---|

Goodman Manufacturing Company, L.P. is not responsible for personal injury or property damage resulting from improper service. Review all service information before beginning repairs.

Warranty service must be performed by an authorized technician, using authorized factory parts. If service is required after the warranty expires, Goodman Manufacturing Company, L.P. also recommends contacting an authorized technician and using authorized factory parts.

Goodman Manufacturing Company, L.P. reserves the right to discontinue, or change at any time, specifications or designs without notice or without incurring obligations.

For assistance within the U.S.A. contact:
Homeowner Support
Goodman Manufacturing Company, L.P.
19001 Kermier Road
Waller, Texas 77484
877-254-4729-Telephone
713-863-2382-Facsimile

For assistance outside the U.S.A. contact:
International Division
Goodman Manufacturing Company, L.P.
19001 Kermier Road
Waller, Texas 77484
713-861-2500-Telephone
713-863-2382-Facsimile

Functional Parts

Part

No: **Description:**

D6723306 BLOWER WHEEL (M5, M7, M8, M9)
B1368058 BLOWER WHEEL 10 X 8 (M4, M6)
CAP100000440LA CAP 10 MFD/440V/OVAL (M4, M5, M6)
CAP100000370LA CAP, 10 MFD/370V/OVAL (M1, M2, M3)
CAP150000370LA CAP, 15 MFD/370V/OVAL (M7, M8, M9)
CAP250000370CP CAP, 25 MFD/370V/ RD (M10)
0131A00025 MOTOR (M7, M8, M9)
0131M00848 MOTOR (M1, M2, M3)
0131m00849 MOTOR (M4, M5, M6)
0131M00947 MOTOR, ID, PSC, 3/4HP (M10)
PCBFM103 PCB, TIME DELAY, EBTDR
0130M00138 TRANSFORMER, 208/230, 24V

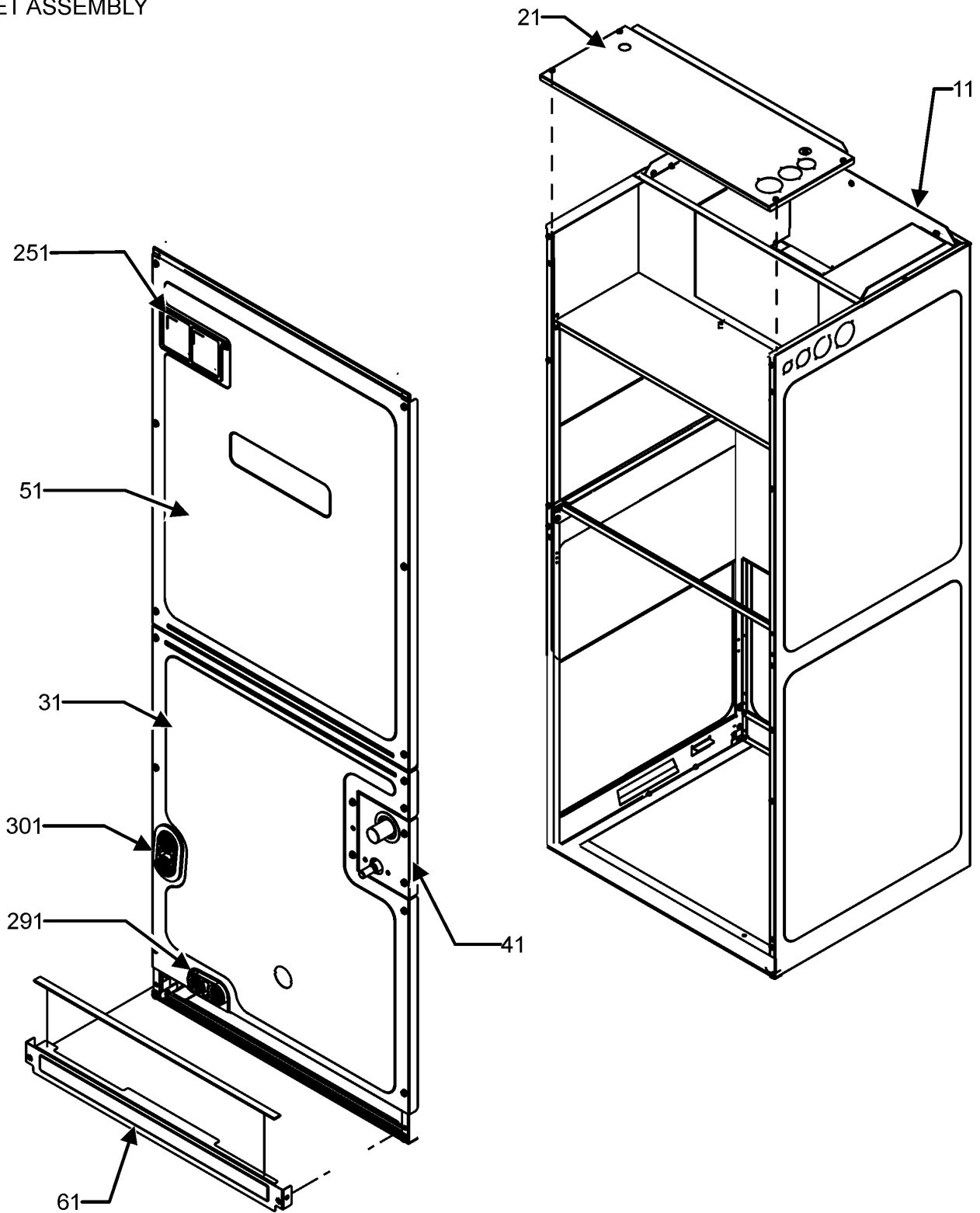
Expanded Model Nomenclature

| |
|-------------------|
| M1 - ARUF25B14AC |
| M2 - ARUF29B14AC |
| M3 - ARUF31B14AC |
| M4 - ARUF37C14AD |
| M5 - ARUF37D14AD |
| M6 - ARUF43C14AD |
| M7 - ARUF43D14AD |
| M8 - ARUF47D14AD |
| M9 - ARUF49D14AD |
| M10 - ARUF61D14AD |

PKCG-4001Y PISTON KIT CHART

Cabinet Assembly

CABINET ASSEMBLY



NOTE: CABINET ASSEMBLY MAY DIFFER FROM WHAT IS SHOWN

Cabinet Assembly

| Ref. Part No: | Ref. Part No: | Description: | Description: |
|---------------|---------------|--------------|--------------|
|---------------|---------------|--------------|--------------|

Image 1:

| | | |
|-----|---------------|---|
| 11 | 0121A00276 | Wrapper (M8, M10) |
| 11 | 0121A00281 | Wrapper (M1, M2) |
| 11 | 0121A00455 | WRAPPER (M5, M7, M9) |
| 11 | 0121A00456 | WRAPPER (M4, M6) |
| 11 | 0121A00458 | WRAPPER (M3) |
| 21 | 0121A00252PDG | Plate, Upper Tie, Ptd (M1, M2, M3) |
| 21 | 0121A00253PDG | Plate, Upper Tie, Ptd (M4, M6) |
| 21 | 0121A00254PDG | Plate, Upper Tie, Ptd (M5, M7, M8, M9, M10) |
| 31 | 0121A00460PDG | LOWER ACCESS PANEL (M5, M7, M9) |
| 31 | 0121A00461PDG | LOWER ACCESS PANEL (M4, M6) |
| 31 | 0121A00463PDG | LOWER ACCESS PANEL (M3) |
| 31 | 0121A00618PDG | LOWER ACCESS PANEL (M8, M10) |
| 31 | 0121A00620PDG | LOWER ACCESS PANEL (M1, M2) |
| 41 | 0121A00595PDG | REFRIGERATION TUBING PANEL |
| 51 | 0121A00833PDG | PANEL, UPPER ACCESS (M5, M7, M8, M9, M10) |
| 51 | 0121A00834PDG | PANEL, UPPER ACCESS (M4, M6) |
| 51 | 0121A00835PDG | PANEL, UPPER ACCESS (M1, M2, M3) |
| 61 | 0121A00242PDG | Panel, Filter Access, Ptd (M1, M2, M3) |
| 61 | 0121A00243PDG | Panel, Filter Access, Ptd (M4, M6) |
| 61 | 0121A00244PDG | Panel, Filter Access, Ptd (M5, M7, M8, M9, M10) |
| 251 | 0161A00073 | CIRCUIT BREAKER COVER |
| 291 | 0154A00006BL | Gasket, Drain Pan |
| 301 | 0154A00007BL | Gasket, Drain Pan |
| NS | BT1369063 | 90 DEGREE STUB |
| NS | 0163A00026 | THUMB SCREW (QTY 2) |

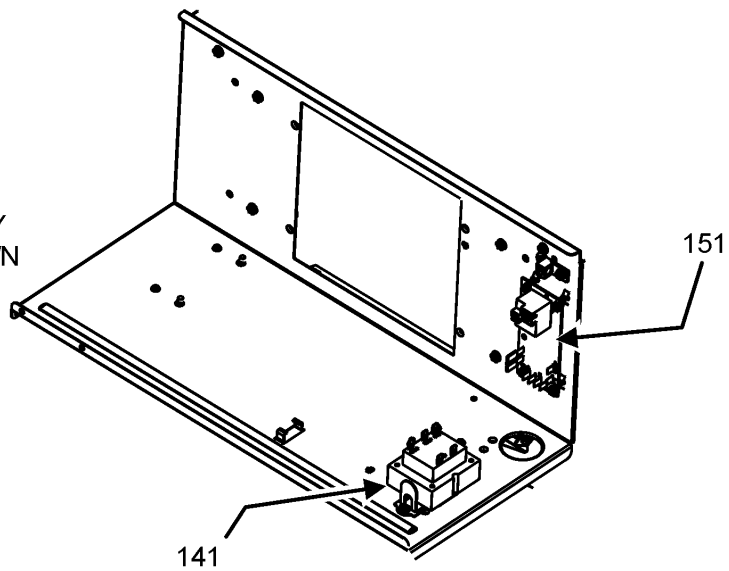
Expanded Model Nomenclature

- | |
|-------------------|
| M1 - ARUF25B14AC |
| M2 - ARUF29B14AC |
| M3 - ARUF31B14AC |
| M4 - ARUF37C14AD |
| M5 - ARUF37D14AD |
| M6 - ARUF43C14AD |
| M7 - ARUF43D14AD |
| M8 - ARUF47D14AD |
| M9 - ARUF49D14AD |
| M10 - ARUF61D14AD |

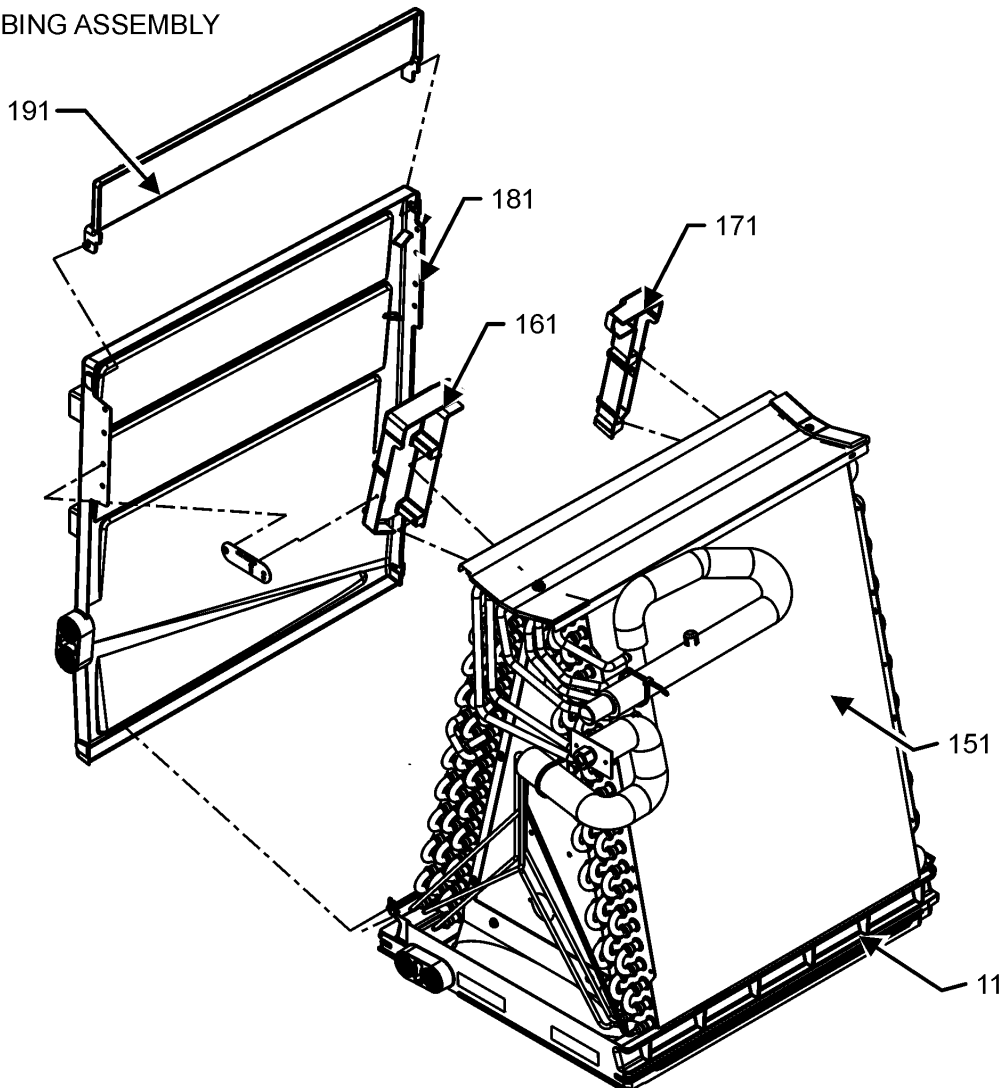
Control Panel and Coil Assembly

CONTROL PANEL ASSEMBLY

NOTE: CONTROL PANEL ASSEMBLY
MAY DIFFER FROM WHAT IS SHOWN



COIL TUBING ASSEMBLY



NOTE: COIL TUBING ASSEMBLY MAY DIFFER FROM WHAT IS SHOWN

Control Panel and Coil Assembly

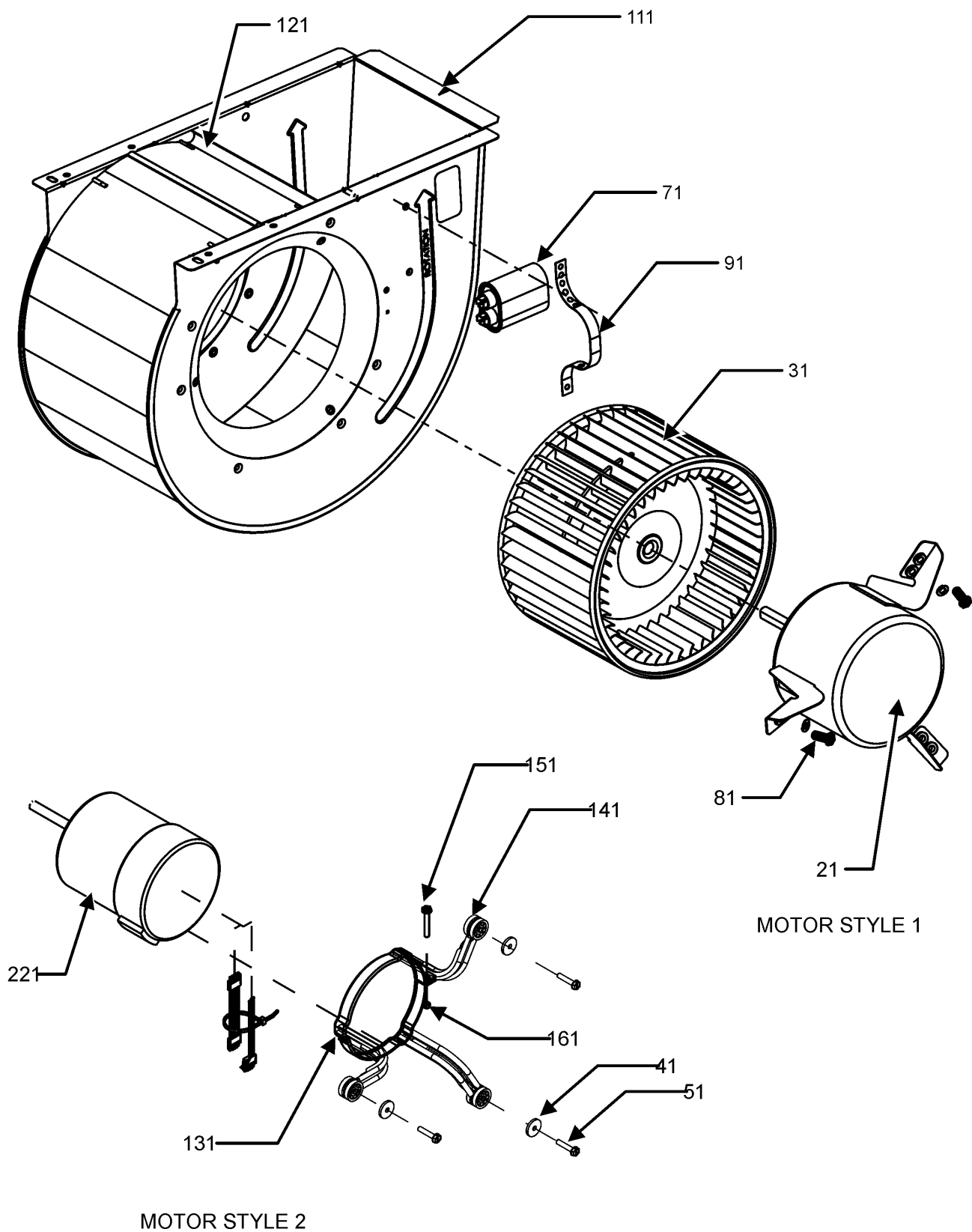
| Ref. Part No: | No: | Description: | Ref. Part No: | No: | Description: |
|-----------------|-------------|--|---------------|-----|--------------|
| Image 1: | | | | | |
| 11 | 0161A00049 | DRAINPAN, VERTICAL (M1, M2, M3) | | | |
| 11 | 0161A00051 | DRAINPAN, VERTICAL (M5, M7, M8, M9, M10) | | | |
| 11 | 0161A00052 | DRAINPAN, VERTICAL (M4, M6) | | | |
| 141 | 0130M00138 | TRANSFORMER, 208/230, 24V | | | |
| 151 | 0270A00975 | COIL TUBING ASSEMBLY (M10) | | | |
| 151 | 0270A00976 | COIL TUBING ASSEMBLY (M8) | | | |
| 151 | 0270A00977 | COIL TUBING ASSEMBLY (M5) | | | |
| 151 | 0270A00979 | COIL TUBING ASSEMBLY (M3) | | | |
| 151 | 0270A00980 | COIL TUBING ASSEMBLY (M1) | | | |
| 151 | 0270A00983 | COIL TUBING ASSEMBLY (M6) | | | |
| 151 | 0270A00984 | COIL TUBING ASSEMBLY (M4) | | | |
| 151 | 0270A00987 | COIL TUBING ASSEMBLY (M2) | | | |
| 151 | 0270A00988 | COIL TUBING ASSEMBLY (M9) | | | |
| 151 | 0270A00989 | COIL TUBING ASSEMBLY (M7) | | | |
| 151 | PCBFM103 | PCB, TIME DELAY, EBTDR | | | |
| 161 | 0161A00060 | CONDENSATE, COLLECT, FRONT | | | |
| 171 | 0161A00061 | CONDENSATE, COLLECT, BACK | | | |
| 181 | 0161A00053 | DRAIN PAN HORIZONTAL, TALL (M3, M4, M5, M6, M7, M8, M9, M10) | | | |
| 181 | 0161A00055 | DRAIN PAN HORIZONTAL, SMALL (M1, M2) | | | |
| 191 | 0161A00054 | DRAIN PAN, EXTENSION, SMALL (M1, M2, M3, M4, M5, M6, M7, M9) | | | |
| 191 | 0161A00056 | DRAIN PAN, EXTENSION, TALL (M8, M10) | | | |
| NS | 0163M00175 | CAP WITH O-RING | | | |
| NS | PKCG-4001Y | PISTON KIT CHART | | | |
| NS | B1787000 | VALVE CORE | | | |
| NS | 0259A00012P | WIRE ASSY, 9 PIN FEMALE CONN. | | | |
| NS | 0259A00013P | WIRE ASSY, 9 PIN MALE CONN. | | | |

Expanded Model Nomenclature

- | |
|-------------------|
| M1 - ARUF25B14AC |
| M2 - ARUF29B14AC |
| M3 - ARUF31B14AC |
| M4 - ARUF37C14AD |
| M5 - ARUF37D14AD |
| M6 - ARUF43C14AD |
| M7 - ARUF43D14AD |
| M8 - ARUF47D14AD |
| M9 - ARUF49D14AD |
| M10 - ARUF61D14AD |

Blower Assembly

BLOWER ASSEMBLY



Blower Assembly

| Ref. Part No: | Ref. Part No: | Description: | Description: |
|---------------|---------------|--------------|--------------|
|---------------|---------------|--------------|--------------|

Image 1:

| | | |
|-----|----------------|--|
| 21 | 0131M00848 | MOTOR (M1, M2, M3) |
| 21 | 0131m00849 | MOTOR (M4, M5, M6) |
| 31 | D6723306 | BLOWER WHEEL (M5, M7, M8, M9) |
| 31 | B1368058 | BLOWER WHEEL 10 X 8 (M4, M6) |
| 41 | B1392918 | WASHER, FLAT 1/4 ID X 1 OD (M7, M8, M9, M10) |
| 51 | M0250565 | SCREW-TC 1.25" (M7, M8, M9, M10) |
| 71 | CAP100000440LA | CAP 10 MFD/440V/OVAL (M4, M5, M6) |
| 71 | CAP100000370LA | CAP, 10 MFD/370V/OVAL (M1, M2, M3) |
| 71 | CAP150000370LA | CAP, 15 MFD/370V/OVAL (M7, M8, M9) |
| 71 | CAP250000370CP | CAP, 25 MFD/370V/ RD (M10) |
| 81 | M0250558 | TC SCREW (M1, M2, M3, M4, M5, M6) |
| 91 | 1284835 | CAPACITOR STRAP |
| 111 | 0271A00016 | ASSY, BLOWER SHELL (M5, M7, M8, M9) |
| 111 | 0271A00029 | ASSY, BLOWER SHELL 10 X 8 (M4, M6) |
| 111 | 0271A00205 | BLOWER ASSY (M1, M2, M3) |
| 111 | 0271A00206 | BLOWER SHELL ASSY (M10) |
| 121 | 764741 | BLOWER BLOCK-OFF 10 X 10 (M5, M7, M8, M9) |
| 121 | 764740 | BLOWER BLOCK-OFF 10 X 8 (M4, M6) |
| 131 | 0121M00039 | MOUNT BAND, MOTOR (HEAVY DUTY) (M7, M8, M9, M10) |
| 141 | B1376863 | MOUNT ARM, MOTOR (HEAVY DUTY) (M7, M8, M9, M10) |
| 151 | 0163M00320 | HEX HEAD ALL THREAD TAP BOLT (M7, M8, M9, M10) |
| 161 | B1393800 | LOCKNUT, NYLON, INSERT 1/4,20 (M7, M8, M9, M10) |
| 221 | 0131A00025 | MOTOR (M7, M8, M9) |
| 221 | 0131M00947 | MOTOR, ID, PSC, 3/4HP (M10) |

Expanded Model Nomenclature

| |
|-------------------|
| M1 - ARUF25B14AC |
| M2 - ARUF29B14AC |
| M3 - ARUF31B14AC |
| M4 - ARUF37C14AD |
| M5 - ARUF37D14AD |
| M6 - ARUF43C14AD |
| M7 - ARUF43D14AD |
| M8 - ARUF47D14AD |
| M9 - ARUF49D14AD |
| M10 - ARUF61D14AD |