

REPAIR PARTS

CAPE Indoor Upflow/Downflow Cased Coil

CAPE4860C4AA
CAPE4860C4AB
CAPE4860D4AA
CAPE4860D4AB
CAPE4961C4AA
CAPE4961C4AB
CAPE4961D4AA
CAPE4961D4AB



This manual is to be used by qualified technicians only.

This manual replaces RP-4327A

© 2018 , 2021 Goodman Manufacturing Company, L.P. ♦ 5151 San Felipe St, Suite 500 ♦ Houston, TX 77056

Important Information

Index

Functional Parts List	3
Illustration and Parts	4 - 7

Views shown are for parts illustrations only, not servicing procedures

Text Codes:

AR - As Required

NA - Not Available

NS - Not Shown

00000000 - See Note

QTY - Quantity Example (QTY 3) (If Quantity not shown, Quantity = 1)

M - Model Example (M1) (If M Code not shown, then part is used on all Models)

Expanded Model Nomenclature:

Example M1 - Model#1 M2 - Model#2 M3 - Model#3

Goodman Manufacturing Company, L.P. is not responsible for personal injury or property damage resulting from improper service. Review all service information before beginning repairs.

Warranty service must be performed by an authorized technician, using authorized factory parts. If service is required after the warranty expires, Goodman Manufacturing Company, L.P. also recommends contacting an authorized technician and using authorized factory parts.

Goodman Manufacturing Company, L.P. reserves the right to discontinue, or change at any time, specifications or designs without notice or without incurring obligations.

For assistance within the U.S.A. contact:
Homeowner Support
Goodman Manufacturing Company, L.P.
19001 Kermier Road
Waller, Texas 77484
877-254-4729-Telephone
713-863-2382-Facsimile

For assistance outside the U.S.A. contact:
International Division
Goodman Manufacturing Company, L.P.
19001 Kermier Road
Waller, Texas 77484
713-861-2500-Telephone
713-863-2382-Facsimile

Functional Parts

Part

No:

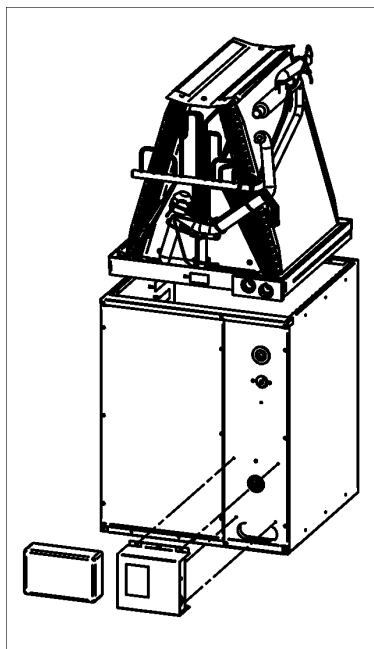
Description:

0130D00002	4-PIN WIRE TERMINAL
3P381420-2	EEV COIL
2P383866-2	PCB FAN ASSY
3S481012-1	PRESSURE SENSOR
3S500031-1	PULSE MOTOR EXPANS EEV
0130M00651	SHARED DATA (M8)
0130M00650	SHARED DATA (M6)
0130M00649	SHARED DATA (M4)
0130M00648	SHARED DATA (M2)
0130M00585	SHARED DATA, CAPE4860C4 (M1)
0130M00586	SHARED DATA, CAPE4860D4 (M3)
0130M00587	SHARED DATA, CAPE4961C4 (M5)
0130M00588	SHARED DATA, CAPE4961D4 (M7)
0130M00306	TRANSFORMER

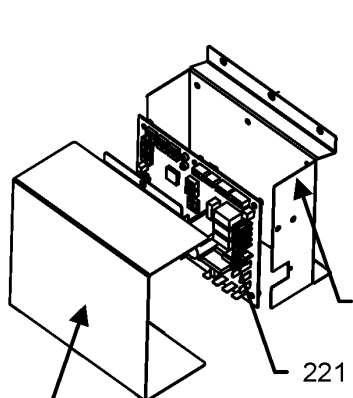
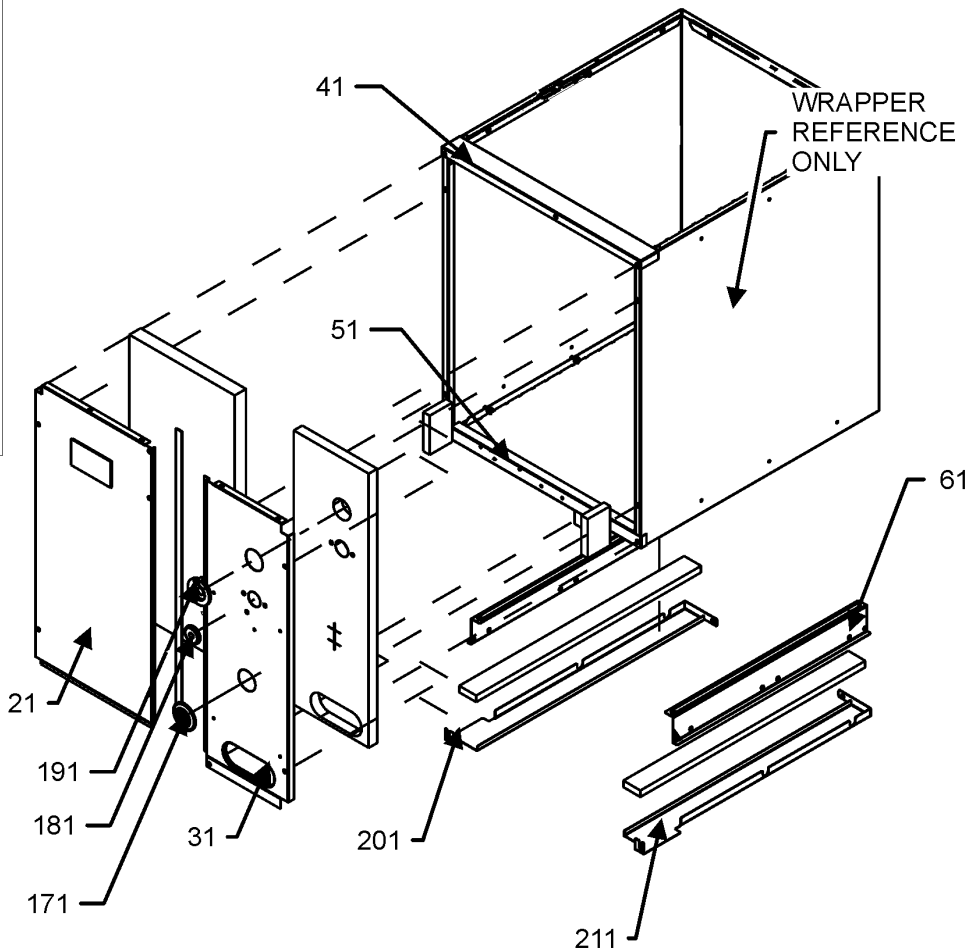
Expanded Model Nomenclature

M1 - CAPE4860C4AA
M2 - CAPE4860C4AB
M3 - CAPE4860D4AA
M4 - CAPE4860D4AB
M5 - CAPE4961C4AA
M6 - CAPE4961C4AB
M7 - CAPE4961D4AA
M8 - CAPE4961D4AB

CABINET AND CONTROL BOX ASSEMBLY

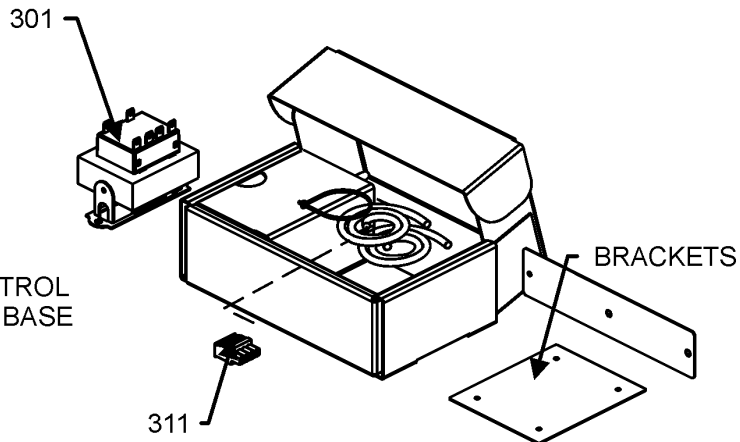


CABINET ASSEMBLY



CONTROL BOX TOP

CONTROL PANEL ASSEMBLY



CONTROL BOX BASE

311

BRACKETS

TRANSFORMER KIT

CABIENT AND CONTROL BOX ASSEMBLY

Ref. Part No: No:	Description:	Ref. Part No: No:	Description:
-------------------	--------------	-------------------	--------------

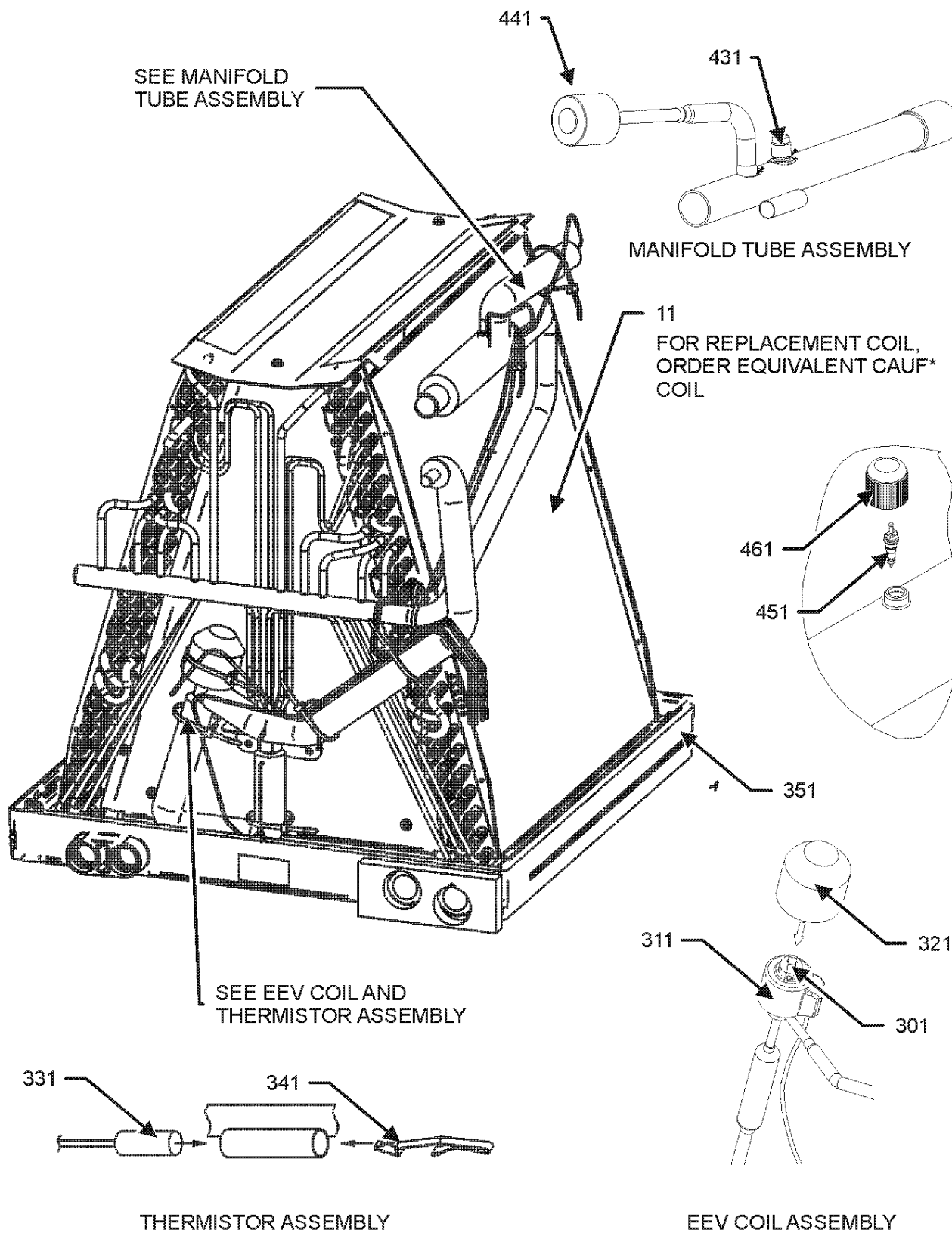
Image 1:

21	5001506PDG	DOOR LFT. 21" X 30" PAINTED (M1, M2, M5, M6)
21	5001508PDG	DOOR LFT. 24.5" X 30" PAINTED (M3, M4, M7, M8)
31	0121D00802PDG	DOOR RT, 30"
41	5001207PDG	RAIL, TOP 21" PAINTED (M1, M2, M5, M6)
41	5001208PDG	RAIL, TOP 24.5" PAINTED (M3, M4, M7, M8)
51	0121A01126PDG	RAIL, BOTTOM 21",PAINTED (M1, M2, M5, M6)
51	0121A01127PDG	RAIL, BOTTOM 24.5",PAINTED (M3, M4, M7, M8)
61	5001206	RAIL DRAIN PAN (QTY 2)
171	M0501302	GROMMET-PIPE
181	0164A00002	GROMMET
191	B1392630	GROMMET
201	5001010	PLATE, LEFT BLOCK OFF
211	5001011	PLATE, RIGHT BLOCK OFF
221	2P383866-2	PCB FAN ASSY
301	0130M00306	TRANSFORMER
311	0130D00002	4-PIN WIRE TERMINAL
NS	0130M00648	SHARED DATA (M2)
NS	0130M00649	SHARED DATA (M4)
NS	0130M00650	SHARED DATA (M6)
NS	0130M00651	SHARED DATA (M8)
NS	0130M00585	SHARED DATA, CAPE4860C4 (M1)
NS	0130M00586	SHARED DATA, CAPE4860D4 (M3)
NS	0130M00587	SHARED DATA, CAPE4961C4 (M5)
NS	0130M00588	SHARED DATA, CAPE4961D4 (M7)
NS	0259A00038	WIRE HARNESS ASSY
NS	0259A00039	WIRE HARNESS ASSY
NS	0259A00040	WIRE HARNESS ASSY
NS	0259D00006	WIRE HARNESS ASSY
NS	0259D00001	WIRE HARNESS (TRANSFORMER - PCB)

Expanded Model Nomenclature

M1 - CAPE4860C4AA
M2 - CAPE4860C4AB
M3 - CAPE4860D4AA
M4 - CAPE4860D4AB
M5 - CAPE4961C4AA
M6 - CAPE4961C4AB
M7 - CAPE4961D4AA
M8 - CAPE4961D4AB

COIL ASSEMBLY



NOTE: COIL ASSEMBLY MAY DIFFER FROM WHAT IS SHOWN

COIL ASSEMBLY

Ref. Part No:	No:	Description:	Ref. Part No:	No:	Description:
---------------	-----	--------------	---------------	-----	--------------

Image 1:

11	0270D01062	TUBING ASSY, EVAP COIL (M1, M2)
11	0270D01063	TUBING ASSY, EVAP COIL (M3, M4)
11	0270D01064	TUBING ASSY, EVAP COIL (M5, M6)
11	0270D01065	TUBING ASSY, EVAP COIL (M7, M8)
301	3S500031-1	PULSE MOTOR EXPANS EEV
311	3P381420-2	EEV COIL
321	4P399446-1	WATERPROOF CAP
331	4P389796-1	THERMISTOR ASSY
341	4PA38890-1	MOUNTING SPRING, THERMISTOR
351	BT5076502DF	DRAIN PAN LARGE (M1, M2, M5, M6)
351	0161D00089	DRAIN PAN XLARGE (M3, M4, M7, M8)
431	B1373311	ACCESS VALVE FITTING
441	3S481012-1	PRESSURE SENSOR
451	B1787000	VALVE CORE
461	0163M00175	CAP W/O-RING
NS	3P277773-25	FILTER
NS	3P277773-8	FILTER
NS	BT15930113	GASKET DRAIN PAN

Expanded Model Nomenclature

M1 - CAPE4860C4AA
M2 - CAPE4860C4AB
M3 - CAPE4860D4AA
M4 - CAPE4860D4AB
M5 - CAPE4961C4AA
M6 - CAPE4961C4AB
M7 - CAPE4961D4AA
M8 - CAPE4961D4AB

FOR REPLACEMENT COIL, ORDER EQUIVALENT CAUF* COIL