

REPAIR PARTS

CAPFA Indoor Cased Coil

CAPFA1714A6AA
CAPFA1714B6AA
CAPFA1818A6BA
CAPFA1818B6BA
CAPFA1818C6AA
CAPFA1818C6BA
CAPFA2318A6AA
CAPFA2318B6AA
CAPFA2318C6AA
CAPFA2418A6AA
CAPFA2418B6AA
CAPFA2418C6AA
CAPFA2422A6AA
CAPFA2422B6AA
CAPFA2422C6AA
CAPFA2922B6AA
CAPFA2922C6AA
CAPFA3022A6AA
CAPFA3022B6AA
CAPFA3022C6AA
CAPFA3022D6AA
CAPFA3626B6AA
CAPFA3626C6AA
CAPFA3626D6AA



This manual is to be used by qualified technicians only.

This manual replaces RP-4328D.

© 2018 -2020 Goodman Manufacturing Company, L.P. ♦ 19001 Kermier Rd. ♦ Waller, TX 77484

Important Information

Index

| | |
|------------------------------|-------|
| Functional Parts List | 3 |
| Illustration and Parts | 4 - 5 |

Views shown are for parts illustrations only, not servicing procedures

Text Codes:

AR - As Required

NA - Not Available

NS - Not Shown

00000000 - See Note

QTY - Quantity Example (QTY 3) (If Quantity not shown, Quantity = 1)

M - Model Example (M1) (If M Code not shown, then part is used on all Models)

Expanded Model Nomenclature:

| |
|---|
| Example M1 - Model#1 M2 - Model#2 M3 - Model#3 |
|---|

Goodman Manufacturing Company, L.P. is not responsible for personal injury or property damage resulting from improper service. Review all service information before beginning repairs.

Warranty service must be performed by an authorized technician, using authorized factory parts. If service is required after the warranty expires, Goodman Manufacturing Company, L.P. also recommends contacting an authorized technician and using authorized factory parts.

Goodman Manufacturing Company, L.P. reserves the right to discontinue, or change at any time, specifications or designs without notice or without incurring obligations.

For assistance within the U.S.A. contact:
Homeowner Support
Goodman Manufacturing Company, L.P.
19001 Kermier Road
Waller, Texas 77484
877-254-4729-Telephone
713-863-2382-Facsimile

For assistance outside the U.S.A. contact:
International Division
Goodman Manufacturing Company, L.P.
19001 Kermier Road
Waller, Texas 77484
713-861-2500-Telephone
713-863-2382-Facsimile

Functional Parts

Part

No: **Description:**

Special Parts

BT1369063 90 DEGREE STUB
B1373311 ACCESS VALVE FITTING
TP-109B AL COIL-APPROVED CLEANING LIST
PKCG-4001Z PISTON KIT CHART

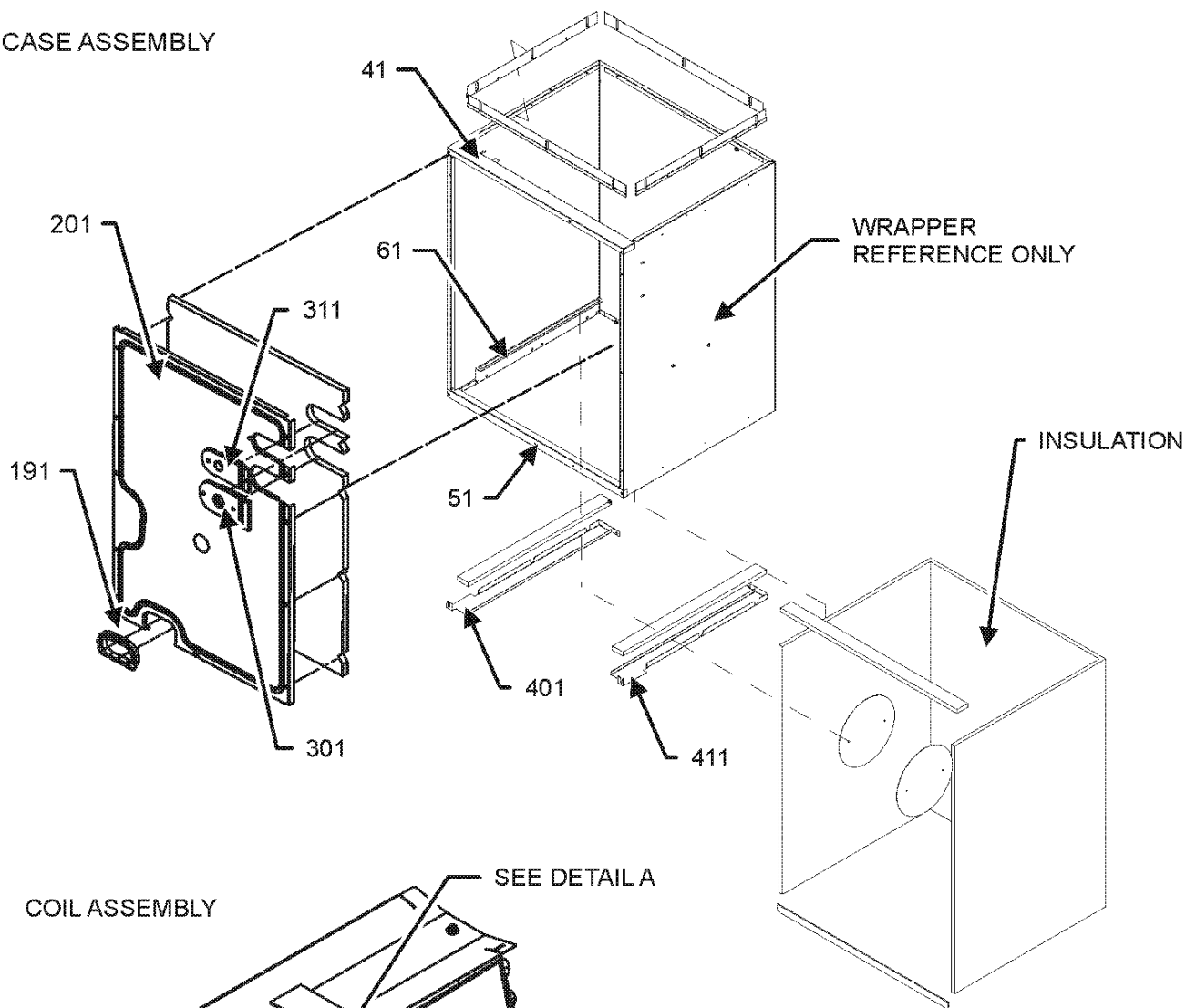
Expanded Model Nomenclature

| |
|---------------------|
| M1 - CAPFA1714A6AA |
| M2 - CAPFA1714B6AA |
| M3 - CAPFA1818A6BA |
| M4 - CAPFA1818B6BA |
| M5 - CAPFA1818C6AA |
| M6 - CAPFA1818C6BA |
| M7 - CAPFA2318A6AA |
| M8 - CAPFA2318B6AA |
| M9 - CAPFA2318C6AA |
| M10 - CAPFA2418A6AA |
| M11 - CAPFA2418B6AA |
| M12 - CAPFA2418C6AA |
| M13 - CAPFA2422A6AA |
| M14 - CAPFA2422B6AA |
| M15 - CAPFA2422C6AA |
| M16 - CAPFA2922B6AA |
| M17 - CAPFA2922C6AA |
| M18 - CAPFA3022A6AA |
| M19 - CAPFA3022B6AA |
| M20 - CAPFA3022C6AA |
| M21 - CAPFA3022D6AA |
| M22 - CAPFA3626B6AA |
| M23 - CAPFA3626C6AA |
| M24 - CAPFA3626D6AA |

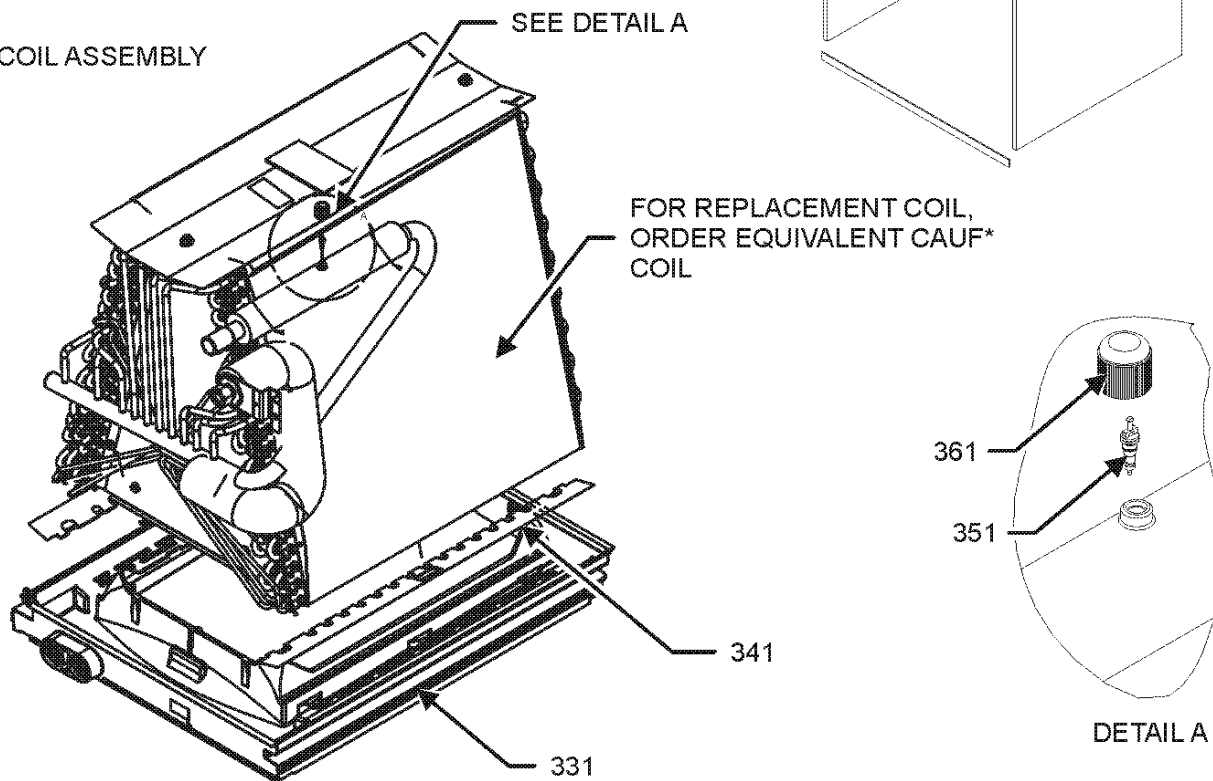
FOR REPLACEMENT COIL, ORDER EQUIVALENT CAUF* COIL.

CABINET AND COIL ASSEMBLY

CASE ASSEMBLY



COIL ASSEMBLY



CABINET AND COIL ASSEMBLY

| Ref. Part No: No: | Description: | Ref. Part No: No: | Description: |
|-------------------|--|---|---|
| Image 1: | | Image 1: | |
| 41 | 0121D00304PDG RAIL TOP, CASED E COIL,PAINTED (M1, M3, M7, M10, M13, M18) | NS | B1373311 ACCESS VALVE FITTING |
| 41 | 0121D00305PDG RAIL TOP, CASED E COIL,PAINTED (M2, M4, M8, M11, M14, M16, M19, M22) | NS | TP-109B AL COIL-APPROVED CLEANING LIST |
| 41 | 0121D00306PDG RAIL TOP, CASED E COIL,PAINTED (M5, M6, M9, M12, M15, M17, M20, M23) | NS | 5001213 FLANGE FRONT-REAR MED (M2, M4, M8, M11, M14, M16, M19, M22) |
| 41 | 0121D00307PDG RAIL TOP, CASED E COIL,PAINTED (M21, M24) | NS | 5001212 FLANGE FRONT-REAR SM (M1, M3, M7, M10, M13, M18) |
| 51 | 0121D00502PDG RAIL BOTTOM,CASED COIL,PAINTED (M1, M3, M7, M10, M13, M18) | NS | 5001215 FLANGE FRONT-REAR XLG (M21, M24) |
| 51 | 0121D00503PDG RAIL BOTTOM,CASED COIL,PAINTED (M2, M4, M8, M11, M14, M16, M19, M22) | NS | 5001211 FLANGE SIDE (QTY 2) |
| 51 | 0121D00504PDG RAIL BOTTOM,CASED COIL,PAINTED (M5, M6, M9, M12, M15, M17, M20, M23) | NS | PKCG-4001Z PISTON KIT CHART |
| 51 | 0121D00505PDG RAIL BOTTOM,CASED COIL,PAINTED (M21, M24) | NS | B1393530 SCREW, HWH, 10X1/2A,YZD,SLOT SR (QTY 3) |
| 61 | 0121D00264 RAIL DRAIN PAN, CASED COIL (QTY 2) | Expanded Model Nomenclature | |
| 191 | 0154A00047 GASKET, DRAIN PAN | <div style="border: 1px solid black; padding: 5px;"> M1 - CAPFA1714A6AA M2 - CAPFA1714B6AA M3 - CAPFA1818A6BA M4 - CAPFA1818B6BA M5 - CAPFA1818C6AA M6 - CAPFA1818C6BA M7 - CAPFA2318A6AA M8 - CAPFA2318B6AA M9 - CAPFA2318C6AA M10 - CAPFA2418A6AA M11 - CAPFA2418B6AA M12 - CAPFA2418C6AA M13 - CAPFA2422A6AA M14 - CAPFA2422B6AA M15 - CAPFA2422C6AA M16 - CAPFA2922B6AA M17 - CAPFA2922C6AA M18 - CAPFA3022A6AA M19 - CAPFA3022B6AA M20 - CAPFA3022C6AA M21 - CAPFA3022D6AA M22 - CAPFA3626B6AA M23 - CAPFA3626C6AA M24 - CAPFA3626D6AA </div> | |
| 201 | 0121D00539PDG PNL ACCESS PNT, CASED E COIL (M3, M7, M10) | | |
| 201 | 0121D00540PDG PNL ACCESS PNT, CASED E COIL (M4, M8, M11) | | |
| 201 | 0121D00541PDG PNL ACCESS PNT, CASED E COIL (M5, M6, M9, M12) | | |
| 201 | 0121D00565PDG PNL ACCESS PNT, CASED E COIL (M1) | | |
| 201 | 0121D00566PDG PNL ACCESS PNT, CASED E COIL (M2) | | |
| 201 | 0121D00717PDG PNL ACCESS PNT, CASED E COIL (M13, M18) | | |
| 201 | 0121D00543PDG PNL ACCESS, PAINTED (M15, M17, M20) | | |
| 201 | 0121D00544PDG PNL ACCESS, PAINTED (M21) | | |
| 201 | 0121D00545PDG PNL ACCESS, PAINTED (M14, M16, M19) | | |
| 201 | 0121D00548PDG PNL ACCESS, PAINTED (M22) | | |
| 201 | 0121D00597PDG PNL ACCESS, PAINTED (M23) | | |
| 201 | 0121D00600PDG PNL ACCESS, PAINTED (M24) | | |
| 301 | 0154D00004 GROMMET, LIQUID (M1, M2, M3, M4, M5, M6, M7, M8, M9, M10, M11, M12, M13, M14, M15, M16, M17, M18, M19, M20, M21, M22) | | |
| 301 | 0154D00013 GROMMET, LIQUID (M23, M24) | | |
| 311 | 0154D00005 GROMMET, SUC TION (M1, M2, M3, M4, M5, M6, M7, M8, M9, M10, M11, M12, M13, M14, M15, M16, M17, M18, M19, M20, M21) | | |
| 311 | 0154D00014 GROMMET, SUC TION (M22, M23, M24) | | |
| 331 | 0161D00048 DRAIN PAN MAIN, E COIL (M1, M3, M7, M10, M13, M18) | | |
| 331 | 0161D00049 DRAIN PAN MAIN, E COIL (M2, M4, M8, M11, M14, M16, M19, M22) | | |
| 331 | 0161D00050 DRAIN PAN MAIN, E COIL (M5, M6, M9, M12, M15, M17, M20, M23) | | |
| 331 | 0161D00051 DRAIN PAN MAIN, E COIL (M21, M24) | | |
| 341 | 0121D00497 BLOCKOFF DOWNFLOW (QTY 2) | | |
| 351 | B1787000 VALVE CORE | | |
| 361 | 0163M00175 CAP W/O-RING | | |
| 401 | 5001010 PLATE, LEFT BLOCK OFF (M2, M4, M5, M6, M8, M9, M11, M12, M14, M15, M16, M17, M19, M20, M21, M22, M23, M24) | | |
| 411 | 5001011 PLATE, RIGHT BLOCK OFF (M2, M4, M5, M6, M8, M9, M11, M12, M14, M15, M16, M17, M19, M20, M21, M22, M23, M24) | | |
| NS | BT1369063 90 DEGREE STUB | FOR REPLACEMENT COIL, ORDER EQUIVALENT CAUF* COIL. | |