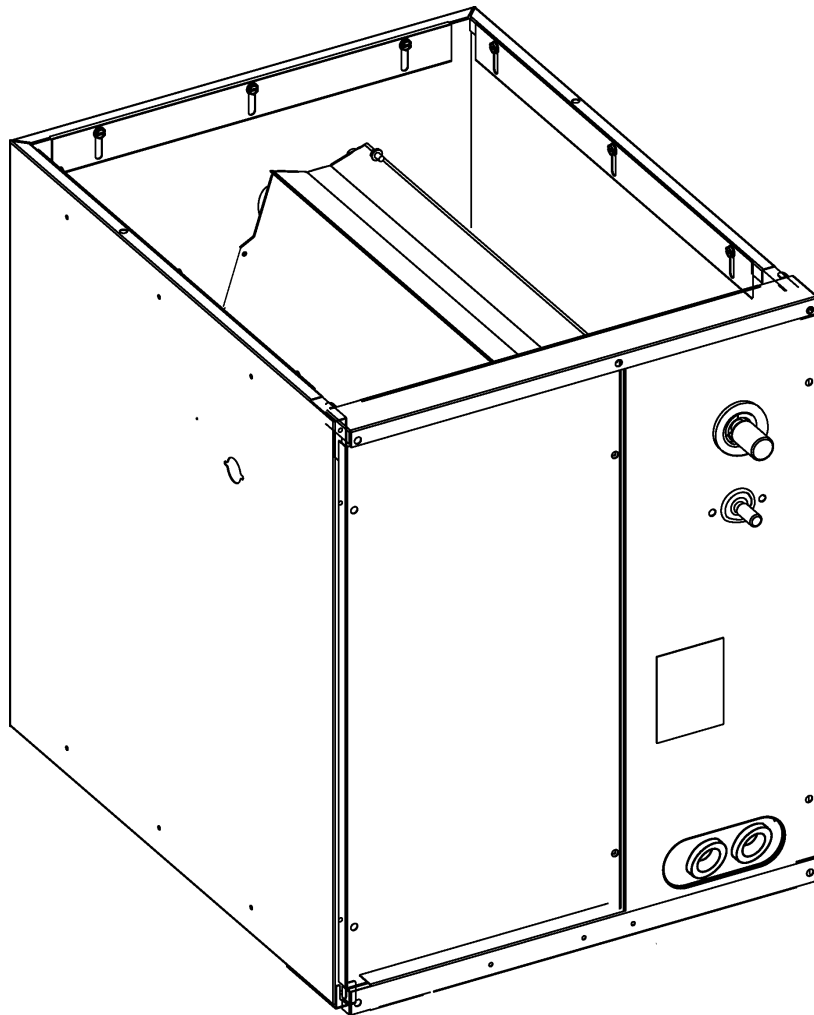


REPAIR PARTS

CAPT Cased Coils

CAPT3131B4AA
CAPT3131C4AA
CAPT3743C4AA
CAPT3743D4AA
CAPT4961C4AA
CAPT4961D4AA



This manual is to be used by qualified technicians only.

© 2012 Goodman Manufacturing Company, L.P. ♦ 5151 San Felipe, Suite 500 ♦ Houston, TX 77056

Important Information

Index

Functional Parts List	3
Illustration and Parts	4 - 5

Views shown are for parts illustrations only, not servicing procedures.

Rev A: Models with evaporator coils with factory installed TXV.

Text Codes:

AR - As Required

NA - Not Available

NS - Not Shown

00000000 - See Note

QTY - Quantity Example (QTY 3) (If Quantity not shown, Quantity = 1)

M - Model Example (M1) (If M Code not shown, then part is used on all Models)

Expanded Model Nomenclature:

Example M1 - Model#1 M2 - Model#2 M3 - Model#3

Goodman Manufacturing Company, L.P. is not responsible for personal injury or property damage resulting from improper service. Review all service information before beginning repairs.

Warranty service must be performed by an authorized technician, using authorized factory parts. If service is required after the warranty expires, Goodman Manufacturing Company, L.P. also recommends contacting an authorized technician and using authorized factory parts.

Goodman Manufacturing Company, L.P. reserves the right to discontinue, or change at any time, specifications or designs without notice or without incurring obligations.

For assistance within the U.S.A. contact:
Consumer Affairs Department
Goodman Manufacturing Company, L.P.
7401 Security Way
Houston, Texas 77040
877-254-4729-Telephone
713-863-2382-Facsimile

For assistance outside the U.S.A. contact:
International Division
Goodman Manufacturing Company, L.P.
7401 Security Way
Houston, Texas 77040
713-861-2500-Telephone
713-863-2382-Facsimile

Functional Parts

Part

No: Description:

0162D00085	FLOWRATOR, AL (M6)
0162D00095	FLOWRATOR, AL (M5)
0162D00086	FLOWRATOR, AL (M4)
0162D00094	FLOWRATOR, AL (M2, M3)
0162D00097	FLOWRATOR, AL (M1)
0151R00035	VALVE, TXV R-410A (M5, M6)
0151R00036	VALVE, TXV R-410A (M3, M4)
0151R00019	VALVE, TXV R-410A (M1, M2)

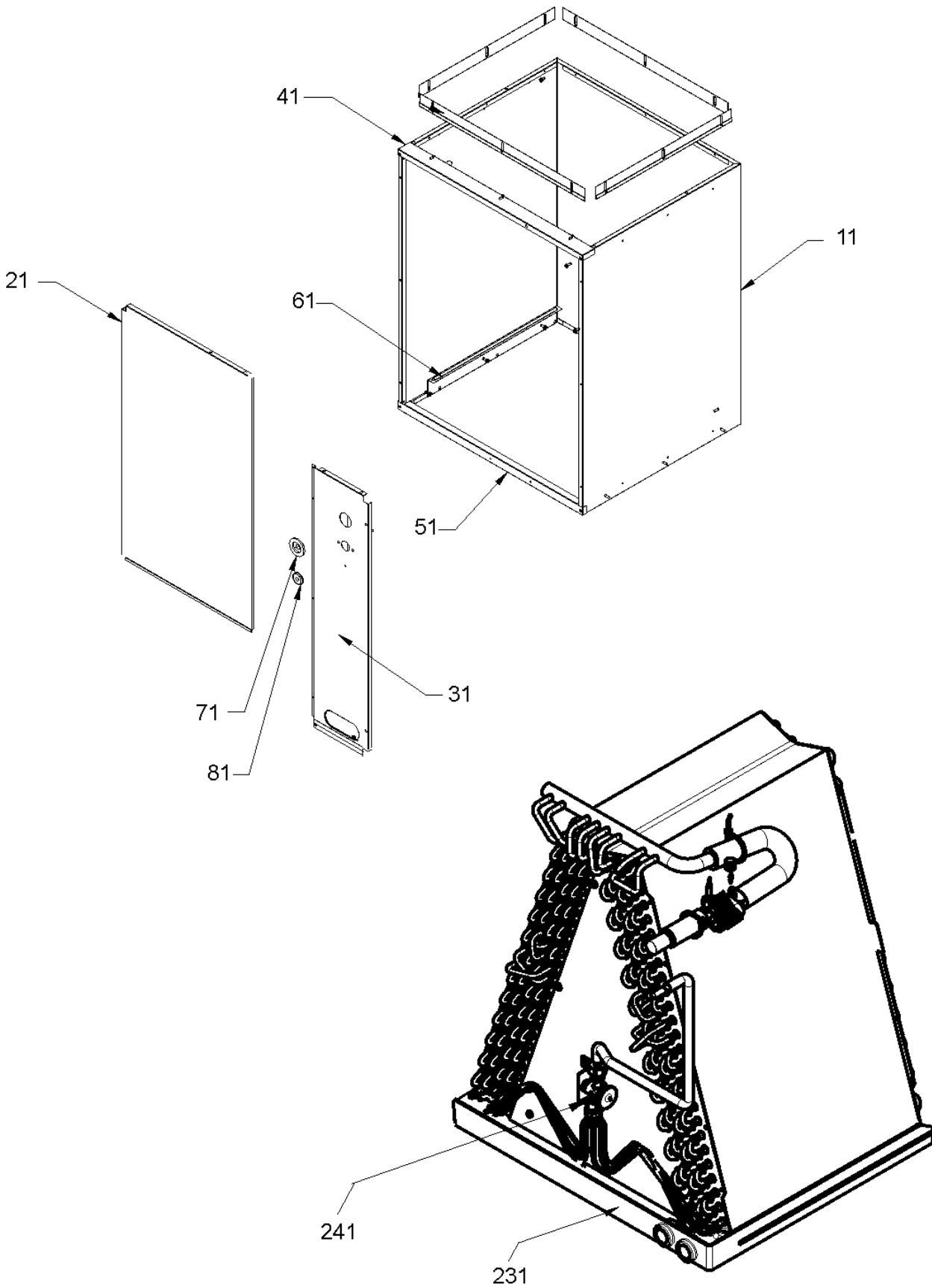
SPECIAL PARTS

PKC-02B PISTION KIT CHART

Expanded Model Nomenclature

M1 - CAPT3131B4AA
M2 - CAPT3131C4AA
M3 - CAPT3743C4AA
M4 - CAPT3743D4AA
M5 - CAPT4961C4AA
M6 - CAPT4961D4AA

Case Assembly



Case Assembly

Ref. Part No:	Ref. Part No:	Description:	Description:
---------------	---------------	--------------	--------------

Image 1:

11	5002001PDG	WRAPPER 17.5" X 22" MED.PAINT (M1)
11	5002014PDG	WRAPPER 21" X 22" LRG (M2)
11	5002003PDG	WRAPPER 21" X 30" LRG (M3, M5)
11	5002005PDG	WRAPPER 24.5" X 30" XLG. PAINT (M4, M6)
21	5001503PDG	DOOR LEFT 17.5" X 22" (M1)
21	5001519PDG	DOOR LEFT 21" X 22" (M2)
21	5001508PDG	DOOR LEFT 24.5" X 30" (M4, M6)
21	5001506PDG	DOOR LFT. 21" X 30" PAINTED (M3, M5)
31	5001502PDG	DOOR RIGHT 22" (M1, M2)
31	5001507PDG	DOOR RIGHT 30" (M3, M4, M5, M6)
41	5001204PDG	TOP RAIL 17.5" (M1)
41	5001207PDG	TOP RAIL 21" (M2, M3, M5)
41	5001208PDG	TOP RAIL 24.5" (M4, M6)
51	5001205PDG	BOTTOM RAIL 17.5" (M1)
51	5001209PDG	BOTTOM RAIL 21" (M2, M3, M5)
51	5001210PDG	BOTTOM RAIL 24.5" (M4, M6)
61	5001206	DRAIN PAN RAIL (QTY 2)
71	B1392630	GROMMET
81	0164A00002	GROMMET
231	BT5076502DF	DRAIN PAN LARGE (M2, M3, M5)
231	BT5076501DF	DRAIN PAN MEDIUM (M1)
231	BT5076503DF	DRAIN PAN XLARGE (M4, M6)
241	0151R00019	VALVE, TXV R-410A (M1, M2)
241	0151R00035	VALVE, TXV R-410A (M5, M6)
241	0151R00036	VALVE, TXV R-410A (M3, M4)
NS	BT1369063	90 DEGREE STUB (M2, M3, M4, M5, M6)
NS	0162D00085	FLOWRATOR, AL (M6)
NS	0162D00086	FLOWRATOR, AL (M4)
NS	0162D00094	FLOWRATOR, AL (M2, M3)
NS	0162D00095	FLOWRATOR, AL (M5)
NS	0162D00097	FLOWRATOR, AL (M1)
NS	PKC-02B	PISTION KIT CHART

Expanded Model Nomenclature

- | |
|-------------------|
| M1 - CAPT3131B4AA |
| M2 - CAPT3131C4AA |
| M3 - CAPT3743C4AA |
| M4 - CAPT3743D4AA |
| M5 - CAPT4961C4AA |
| M6 - CAPT4961D4AA |

IF A REPLACEMENT COIL IS NEEDED, PLEASE ORDER A CAPT COIL.