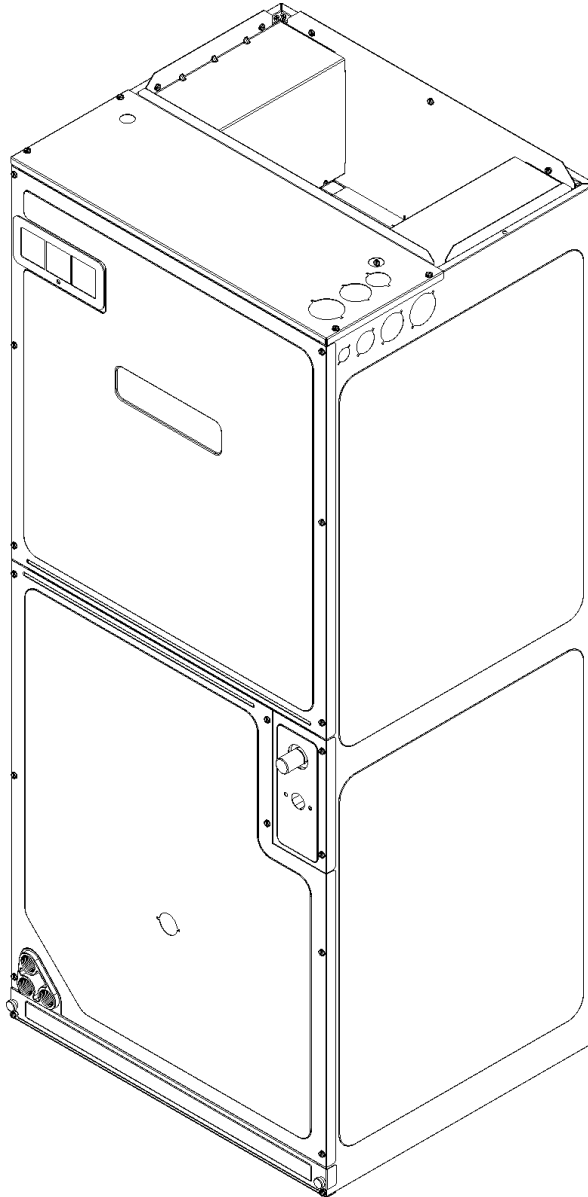


ASPT Air Handler

ASPT24B14AA
ASPT24B14AB
ASPT24B14AC
ASPT24B14AD
ASPT30C14AA
ASPT30C14AB
ASPT30C14AC
ASPT36C14AA
ASPT36C14AB
ASPT36C14AC
ASPT36C14AD
ASPT42C14AA
ASPT42C14AB
ASPT42D14AA
ASPT42D14AB
ASPT48C14AA
ASPT48C14AB
ASPT48D14AA
ASPT48D14AB
ASPT48D14AC
ASPT48D14AD
ASPT60D14AA
ASPT60D14AB
ASPT60D14AC



This manual is to be used by qualified technicians only.

This manual replaces RP-739E.

© 2012 - 2015, 2017 Goodman Manufacturing Company, L.P. ♦ 5151 San Felipe St., Suite 500 ♦ Houston, TX 77056

Important Information

Index

Functional Parts List	3
Illustration and Parts	4 - 9

Views shown are for parts illustrations only, not servicing procedures.

Text Codes:

AR - As Required

NA - Not Available

NS - Not Shown

00000000 - See Note

QTY - Quantity Example (QTY 3) (If Quantity not shown, Quantity = 1)

M - Model Example (M1) (If M Code not shown, then part is used on all Models)

Expanded Model Nomenclature:

Example M1 - Model#1 M2 - Model#2 M3 - Model#3

Goodman Manufacturing Company, L.P. is not responsible for personal injury or property damage resulting from improper service. Review all service information before beginning repairs.

Warranty service must be performed by an authorized technician, using authorized factory parts. If service is required after the warranty expires, Goodman Manufacturing Company, L.P. also recommends contacting an authorized technician and using authorized factory parts.

Goodman Manufacturing Company, L.P. reserves the right to discontinue, or change at any time, specifications or designs without notice or without incurring obligations.

For assistance within the U.S.A. contact:
Homeowner Support
Goodman Manufacturing Company, L.P.
19001 Kermier Road
Waller, Texas 77484
877-254-4729-Telephone
713-863-2382-Facsimile

For assistance outside the U.S.A. contact:
International Division
Goodman Manufacturing Company, L.P.
19001 Kermier Road
Waller, Texas 77484
713-861-2500-Telephone
713-863-2382-Facsimile

Functional Parts

Part

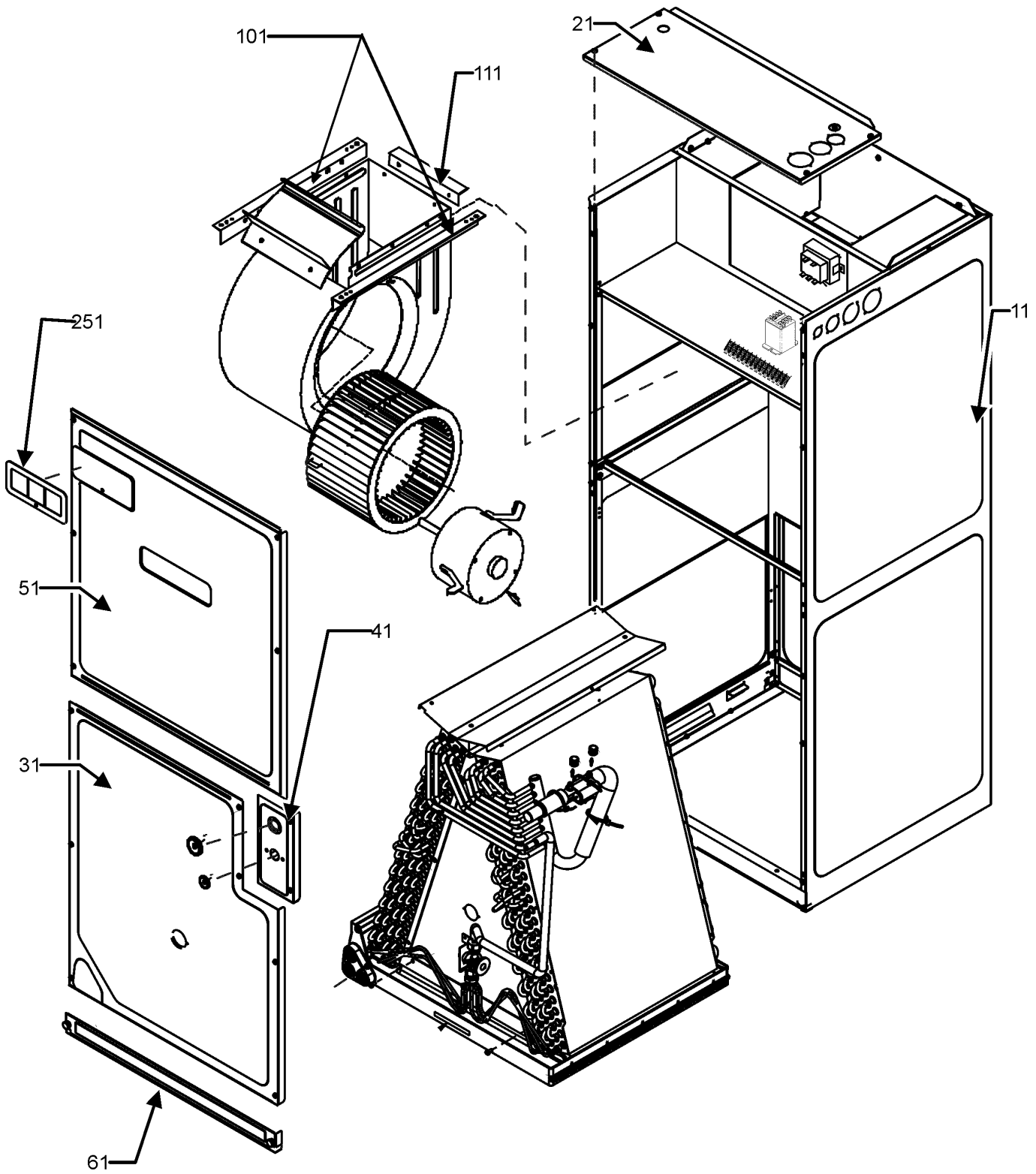
No: Description:

D6723311	BLOWER WHEEL (M20, M21, M22, M23, M24)
D6723306	BLOWER WHEEL (M12, M13, M14, M15, M16, M17)
B1368058	BLOWER WHEEL 10 X 8 (M5, M6, M7, M8, M9, M10, M11)
B1368042	BLOWER WHEEL 9 X 6 (M1, M2, M3, M4)
0150M00037	BLOWER WHEEL, 10 X 10 (M18, M19)
0131M00608	MOTOR 1 HP PROGRAMMED (M21)
0131M00514	MOTOR 1HP PROGRAMMED (M20)
0131M00512	MOTOR 1HP, PROGRAMMED (M22, M23)
0131M00743	MOTOR 3/4 HP MOTOR PROGRAMED (M11, M13)
0131M00746	MOTOR 3/4 HP MOTOR PROGRAMMED (M4)
0131M00744	MOTOR 3/4 HP MOTOR PROGRAMMED (M17)
0131M00745	MOTOR 3/4 HP MOTOR PROGRAMMED (M7)
0131M00607	MOTOR 3/4 HP MOTOR PROGRAMMED (M15)
0131M00611	MOTOR PROGRAMMED (M6)
0131M00476	MOTOR PROGRAMMED (M5)
0131M00513	MOTOR PROGRAMMED (M14)
0131M00606	MOTOR, 1 HP PROGRAMMED (M24)
0131M00393	Motor, 1/2 HP, Programmed (M1)
0131M00481	Motor, 3/4 HP, Programmed (M2)
0131M00609	Motor, 3/4 HP, Programmed (M10, M12)
0131M00612	Motor, 3/4 HP, Programmed (M3)
0131M00394	Motor, 3/4 HP, Programmed (M8, M9)
0131M00511	MOTOR-3/4 HP PROGRAM (M18, M19)
0131M00610	PROGRAMMED MOTOR, 3/4HP, X-13 (M16)
0130M00129	RELAY, WCK
0130M00020	TERMINAL BOARD
0130M00138	TRANSFORMER 208/230, 24V
0151M00038	VALVE, TXV R-410A (M2, M3, M4, M5, M6, M7)
0151M00039	VALVE, TXV R-410A (M19, M20, M21, M23, M24)
0151M00040	VALVE, TXV R-410A (M14, M15)
0151M00045	VALVE, TXV R-410A (M9, M10, M11, M12, M13, M16, M17)
0151R00019	VALVE, TXV R-410A (M1)
0151R00036	VALVE, TXV R-410A (M8)
0151R00035	VALVE, TXV R-410A (M18, M22)

Expanded Model Nomenclature

M1 - ASPT24B14AA
M2 - ASPT24B14AB
M3 - ASPT24B14AC
M4 - ASPT24B14AD
M5 - ASPT30C14AA
M6 - ASPT30C14AB
M7 - ASPT30C14AC
M8 - ASPT36C14AA
M9 - ASPT36C14AB
M10 - ASPT36C14AC
M11 - ASPT36C14AD
M12 - ASPT42C14AA
M13 - ASPT42C14AB
M14 - ASPT42D14AA
M15 - ASPT42D14AB
M16 - ASPT48C14AA
M17 - ASPT48C14AB
M18 - ASPT48D14AA
M19 - ASPT48D14AB
M20 - ASPT48D14AC
M21 - ASPT48D14AD
M22 - ASPT60D14AA
M23 - ASPT60D14AB
M24 - ASPT60D14AC

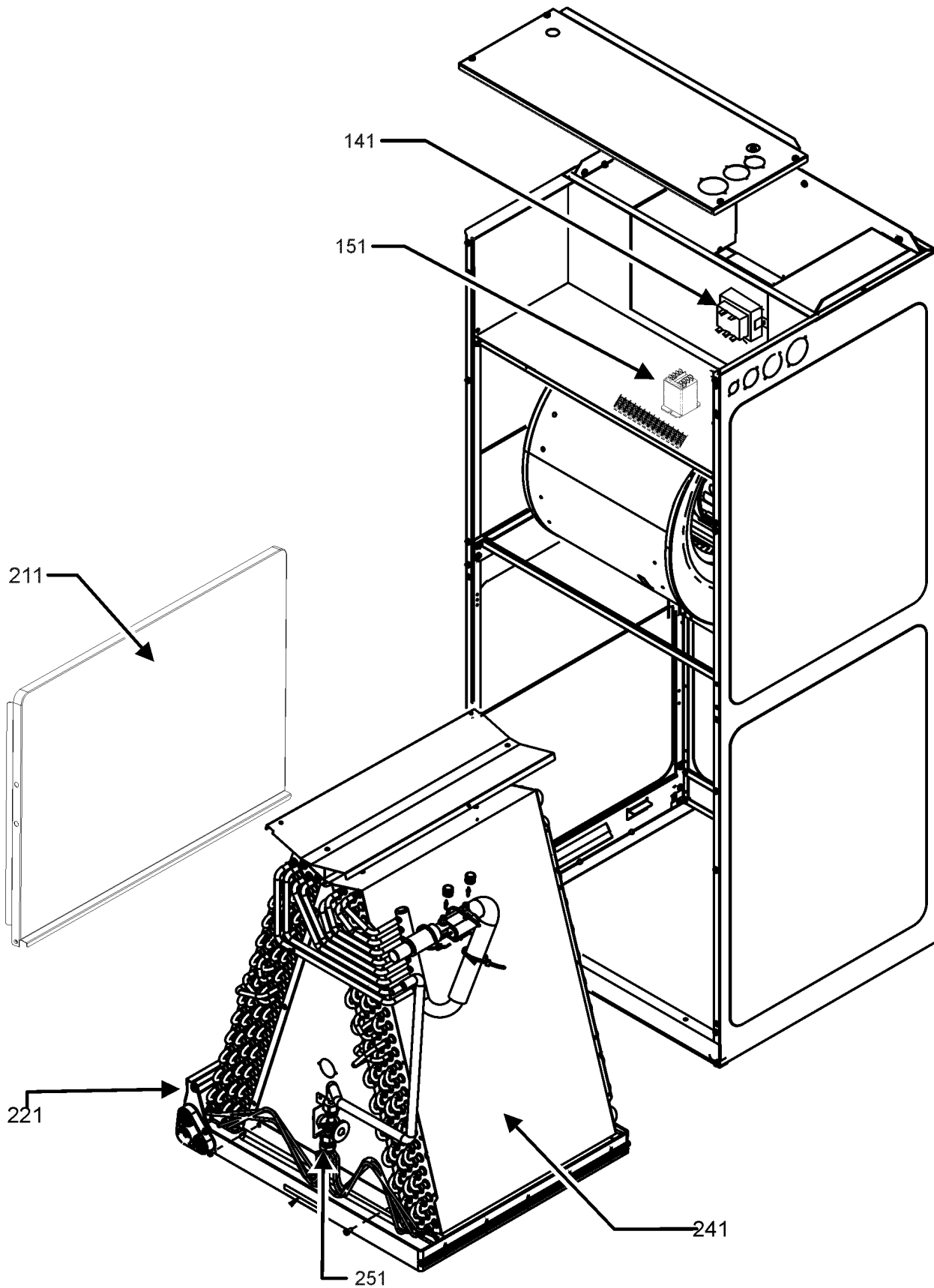
Cabinet Assembly



Cabinet Assembly

Ref. Part No:	No:	Description:	Ref. Part No:	No:	Description:
<i>Image 1:</i>			Expanded Model Nomenclature		
11	0270A00655PDG	Wrapper Assy, Painted (M1, M2, M3, M4)	M1	-	ASPT24B14AA
11	0270A00689PDG	Wrapper Assy, Painted (M5, M6, M7, M8, M9, M10, M11, M12, M13, M16, M17)	M2	-	ASPT24B14AB
11	0270A00690PDG	Wrapper Assy, Painted (M14, M15, M18, M19, M20, M21, M22, M23, M24)	M3	-	ASPT24B14AC
21	0121A00373PDG	Plate, Upper tie, Painted (M1, M2, M3, M4)	M4	-	ASPT24B14AD
21	0121A00374PDG	Plate, Upper tie, Painted (M5, M6, M7, M8, M9, M10, M11, M12, M13, M16, M17)	M5	-	ASPT30C14AA
21	0121A00375PDG	Plate, Upper tie, Painted (M14, M15, M18, M19, M20, M21, M22, M23, M24)	M6	-	ASPT30C14AB
31	0121A00655PDG	LOWER ACCESS PANEL (M1, M2, M3, M4)	M7	-	ASPT30C14AC
31	0121A00656PDG	LOWER ACCESS PANEL (M5, M6, M7, M8, M9, M10, M11, M12, M13, M16, M17)	M8	-	ASPT36C14AA
31	0121A00657PDG	LOWER ACCESS PANEL (M14, M15, M18, M19, M20, M21, M22, M23, M24)	M9	-	ASPT36C14AB
41	0121A00661PDG	REFRIGERATION TUBING PANEL	M10	-	ASPT36C14AC
51	0121A00609PDG	UPPER ACCESS PANEL (M14, M15, M18, M19, M20, M21, M22, M23, M24)	M11	-	ASPT36C14AD
51	0121A00610PDG	UPPER ACCESS PANEL (M5, M6, M7, M8, M9, M10, M11, M12, M13, M16, M17)	M12	-	ASPT42C14AA
51	0121A00611PDG	UPPER ACCESS PANEL (M1, M2, M3, M4)	M13	-	ASPT42C14AB
61	0121A00242PDG	Panel, Filter Access, Ptd (M1, M2, M3, M4)	M14	-	ASPT42D14AA
61	0121A00243PDG	Panel, Filter Access, Ptd (M5, M6, M7, M8, M9, M10, M11, M12, M13, M16, M17)	M15	-	ASPT42D14AB
61	0121A00244PDG	Panel, Filter Access, Ptd (M14, M15, M18, M19, M20, M21, M22, M23, M24)	M16	-	ASPT48C14AA
101	0121A00275	Rail, Blower (M20, M21, M22, M23, M24)	M17	-	ASPT48C14AB
101	0121A00336	Rail, Blower (M1, M2, M3, M4)	M18	-	ASPT48D14AA
111	0121A00337	Angle, Blower Mounting (M1, M2, M3, M4)	M19	-	ASPT48D14AB
111	0121A00353	Angle, Blower Mounting (M20, M21, M22, M23, M24)	M20	-	ASPT48D14AC
251	0161A00034	PLASTIC BREAKER INSERT (M1, M8, M18, M19, M22)	M21	-	ASPT48D14AD
NS	BT1369063	90 DEGREE STUB (M2, M3, M4, M5, M6, M7, M8, M9, M10, M11, M14, M15, M18, M19, M20, M21, M22, M23, M24)	M22	-	ASPT60D14AA
NS	0164A00002	GROMMET	M23	-	ASPT60D14AB
NS	B1392630	GROMMET (M1, M2, M5, M6, M7, M8, M9, M10, M11, M12, M13, M14, M15, M16, M17, M18, M19, M20, M21, M22, M23, M24)	M24	-	ASPT60D14AC
NS	0163A00026	THUMB SCREW (QTY 2)			

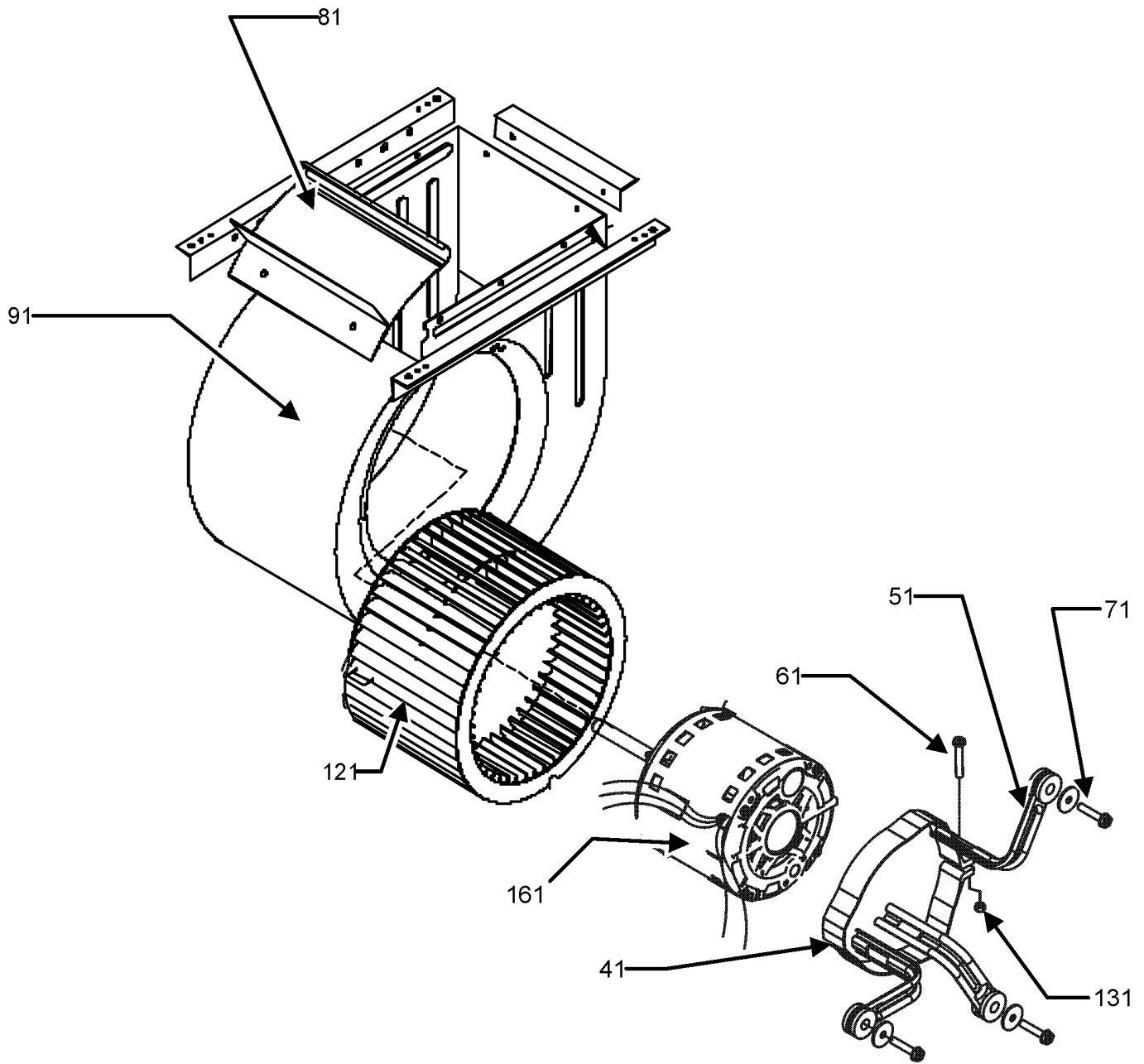
Internal Components



Internal Components

Ref. Part No:	Ref. Part No:	Description:	Description:
Image 1:		Expanded Model Nomenclature	
141	0130M00138	TRANSFORMER 208/230, 24V	M1 - ASPT24B14AA
151	0130M00129	RELAY, WCK	M2 - ASPT24B14AB
211	0121A00304PDG	Drip Shield, Ptd (M1, M2, M3, M4)	M3 - ASPT24B14AC
211	0121A00305PDG	Drip Shield, Ptd (M5, M6, M7, M8, M9, M10, M11, M12, M13, M16, M17)	M4 - ASPT24B14AD
211	0121A00306PDG	Drip Shield, Ptd (M14, M15, M18, M19, M20, M21, M22, M23, M24)	M5 - ASPT30C14AA
221	0161A00026	DRAIN PAN (M1, M2, M3, M4)	M6 - ASPT30C14AB
221	0161A00027	DRAIN PAN (M5, M6, M7, M8, M9, M10, M11, M12, M13, M16, M17)	M7 - ASPT30C14AC
221	0161A00028	DRAIN PAN (M14, M15, M18, M19, M20, M21, M22, M23, M24)	M8 - ASPT36C14AA
241	*0270A00990	COIL TUBING ASSY (M12, M13, M16, M17) NOTE: Please order 0121A00619PDG Lower Access Panel and 0121A00658PDG Refrigerant Tubing Panel for service coil replacement.	M9 - ASPT36C14AB
241	0270A00680	COIL TUBING ASSY (M22)	M10 - ASPT36C14AC
241	0270A00685	COIL TUBING ASSY (M1)	M11 - ASPT36C14AD
241	0270A00686	COIL TUBING ASSY (M18)	M12 - ASPT42C14AA
241	0270A00691	COIL TUBING ASSY (M8)	M13 - ASPT42C14AB
241	0270A00699	COIL TUBING ASSY (M2)	M14 - ASPT42D14AA
241	0270A00702	COIL TUBING ASSY (M9)	M15 - ASPT42D14AB
241	0270A00704	COIL TUBING ASSY (M14)	M16 - ASPT48C14AA
241	0270A00705	COIL TUBING ASSY (M19)	M17 - ASPT48C14AB
241	0270A00708	COIL TUBING ASSY (M20, M23)	M18 - ASPT48D14AA
241	0270A00715	Coil Tubing assy (M5)	M19 - ASPT48D14AB
241	0270A00820	COIL TUBING ASSY (M3, M4)	M20 - ASPT48D14AC
241	0270A00821	COIL TUBING ASSY (M10, M11)	M21 - ASPT48D14AD
241	0270A00822	COIL TUBING ASSY (M15)	M22 - ASPT60D14AA
241	0270A00824	COIL TUBING ASSY (M21, M24)	M23 - ASPT60D14AB
241	0270A00826	COIL TUBING ASSY (M6, M7)	M24 - ASPT60D14AC
251	0151M00038	VALVE, TXV R-410A (M2, M3, M4, M5, M6, M7)	
251	0151M00039	VALVE, TXV R-410A (M19, M20, M21, M23, M24)	
251	0151M00040	VALVE, TXV R-410A (M14, M15)	
251	0151M00045	VALVE, TXV R-410A (M9, M10, M11, M12, M13, M16, M17)	
251	0151R00019	VALVE, TXV R-410A (M1)	
251	0151R00035	VALVE, TXV R-410A (M18, M22)	
251	0151R00036	VALVE, TXV R-410A (M8)	
NS	0163M00175	CAP WITH O-RING	
NS	0161A00024	Plastic Condensate Collector (M1, M8, M18, M19, M22)	
NS	0161A00025	Plastic Condensate Collector (M1, M8, M18, M19, M22)	
NS	0161A00047	Plastic Condensate Collector (M2, M3, M4, M5, M6, M7, M9, M10, M11, M12, M13, M14, M15, M16, M17, M20, M21, M23, M24)	
NS	0161A00048	Plastic Condensate Collector (M2, M3, M4, M5, M6, M7, M9, M10, M11, M12, M13, M14, M15, M16, M17, M20, M21, M23, M24)	
NS	0130M00020	TERMINAL BOARD	
NS	B1787000	VALVE CORE	
NS	0259A00012P	WIRE ASSY, 9 PIN FEMALE CONN.	
NS	0259A00014P	WIRE ASSY, 9 PINN MALE CONN.	
NS	0130M00021	WIRE HARNESS, X-13 LOW VOLTAGE	
NS	0130M00022	X-13 POWER HARNESS	

Blower Components



Blower Components

Ref. Part No:	No:	Description:	Ref. Part No:	No:	Description:																								
Image 1:			Image 1:																										
41	0121M00038	MOTOR MOUNT BAND (M1, M2, M3, M4, M5, M6, M7, M8, M9, M10, M11)	161	0131M00612	Motor, 3/4 HP, Programmed (M3)																								
41	0121M00039	MOTOR MOUNT BAND (HEAVY DUTY) (M12, M13, M14, M15, M16, M17, M18, M19, M20, M21, M22, M23, M24)	161	0131M00511	MOTOR-3/4 HP PROGRAM (M18, M19)																								
51	B1376853	MOTOR MOUNT ARM (M5, M6, M7, M8, M9, M10, M11)	161	0131M00610	PROGRAMMED MOTOR, 3/4HP, X-13 (M16)																								
51	B1376861	MOTOR MOUNT ARM (M1, M2, M3, M4)	NS	B1392918	WASHER, FLAT 1/4 ID X 1 OD (QTY 3)																								
51	B1376863	MOTOR MOUNT ARM (HEAVY DUTY) (M12, M13, M14, M15, M16, M17, M18, M19, M20, M21, M22, M23, M24)	Expanded Model Nomenclature																										
61	0163M00320	HEX HEAD ALL THREAD TAP BOLT (M3, M4, M6, M7, M10, M11, M12, M13, M15, M16, M17, M21, M24)	<table border="1"> <tr><td>M1 - ASPT24B14AA</td></tr> <tr><td>M2 - ASPT24B14AB</td></tr> <tr><td>M3 - ASPT24B14AC</td></tr> <tr><td>M4 - ASPT24B14AD</td></tr> <tr><td>M5 - ASPT30C14AA</td></tr> <tr><td>M6 - ASPT30C14AB</td></tr> <tr><td>M7 - ASPT30C14AC</td></tr> <tr><td>M8 - ASPT36C14AA</td></tr> <tr><td>M9 - ASPT36C14AB</td></tr> <tr><td>M10 - ASPT36C14AC</td></tr> <tr><td>M11 - ASPT36C14AD</td></tr> <tr><td>M12 - ASPT42C14AA</td></tr> <tr><td>M13 - ASPT42C14AB</td></tr> <tr><td>M14 - ASPT42D14AA</td></tr> <tr><td>M15 - ASPT42D14AB</td></tr> <tr><td>M16 - ASPT48C14AA</td></tr> <tr><td>M17 - ASPT48C14AB</td></tr> <tr><td>M18 - ASPT48D14AA</td></tr> <tr><td>M19 - ASPT48D14AB</td></tr> <tr><td>M20 - ASPT48D14AC</td></tr> <tr><td>M21 - ASPT48D14AD</td></tr> <tr><td>M22 - ASPT60D14AA</td></tr> <tr><td>M23 - ASPT60D14AB</td></tr> <tr><td>M24 - ASPT60D14AC</td></tr> </table>			M1 - ASPT24B14AA	M2 - ASPT24B14AB	M3 - ASPT24B14AC	M4 - ASPT24B14AD	M5 - ASPT30C14AA	M6 - ASPT30C14AB	M7 - ASPT30C14AC	M8 - ASPT36C14AA	M9 - ASPT36C14AB	M10 - ASPT36C14AC	M11 - ASPT36C14AD	M12 - ASPT42C14AA	M13 - ASPT42C14AB	M14 - ASPT42D14AA	M15 - ASPT42D14AB	M16 - ASPT48C14AA	M17 - ASPT48C14AB	M18 - ASPT48D14AA	M19 - ASPT48D14AB	M20 - ASPT48D14AC	M21 - ASPT48D14AD	M22 - ASPT60D14AA	M23 - ASPT60D14AB	M24 - ASPT60D14AC
M1 - ASPT24B14AA																													
M2 - ASPT24B14AB																													
M3 - ASPT24B14AC																													
M4 - ASPT24B14AD																													
M5 - ASPT30C14AA																													
M6 - ASPT30C14AB																													
M7 - ASPT30C14AC																													
M8 - ASPT36C14AA																													
M9 - ASPT36C14AB																													
M10 - ASPT36C14AC																													
M11 - ASPT36C14AD																													
M12 - ASPT42C14AA																													
M13 - ASPT42C14AB																													
M14 - ASPT42D14AA																													
M15 - ASPT42D14AB																													
M16 - ASPT48C14AA																													
M17 - ASPT48C14AB																													
M18 - ASPT48D14AA																													
M19 - ASPT48D14AB																													
M20 - ASPT48D14AC																													
M21 - ASPT48D14AD																													
M22 - ASPT60D14AA																													
M23 - ASPT60D14AB																													
M24 - ASPT60D14AC																													
61	B1393323	MACHINE SCREW HWH 1/4-20 X 1-1/2 BZ (M1, M2, M5, M8, M9, M14, M18, M19, M20, M22, M23)																											
71	M0250565	TC SCREW 1.25" (QTY 3)																											
81	764741	BLOWER BLOCK-OFF 10 X 10 (M12, M13, M14, M15, M16, M17, M18, M19)																											
81	764740	BLOWER BLOCK-OFF 10 X 8 (M5, M6, M7, M8, M9, M10, M11)																											
81	1864700	BLOWER CUT-OFF 10 X 10 (M20, M21, M22, M23, M24)																											
81	764733	BLOWER CUT-OFF 9 X 6 (M1, M2, M3, M4)																											
91	0271A00016	BLOWER HOUSING ASSY 10 X 10 (M12, M13, M14, M15, M16, M17, M18, M19)																											
91	0271A00029	BLOWER HOUSING ASSY 10 X 8 (M5, M6, M7, M8, M9, M10, M11)																											
91	0271A00013	BLOWER HOUSING ASSY 11 X 10 (M20, M21, M22, M23, M24)																											
91	1439389	BLOWER HOUSING ASSY 9 X 6 (M1, M2, M3, M4)																											
121	D6723306	BLOWER WHEEL (M12, M13, M14, M15, M16, M17)																											
121	D6723311	BLOWER WHEEL (M20, M21, M22, M23, M24)																											
121	B1368058	BLOWER WHEEL 10 X 8 (M5, M6, M7, M8, M9, M10, M11)																											
121	B1368042	BLOWER WHEEL 9 X 6 (M1, M2, M3, M4)																											
121	0150M00037	BLOWER WHEEL, 10 X 10 (M18, M19)																											
131	B1393800	LOCKNUT, NYLON, INSERT 1/4, 20																											
161	0131M00608	MOTOR 1 HP PROGRAMMED (M21)																											
161	0131M00514	MOTOR 1HP PROGRAMMED (M20)																											
161	0131M00512	MOTOR 1HP, PROGRAMMED (M22, M23)																											
161	0131M00743	MOTOR 3/4 HP MOTOR PROGRAMED (M11, M13)																											
161	0131M00607	MOTOR 3/4 HP MOTOR PROGRAMMED (M15)																											
161	0131M00744	MOTOR 3/4 HP MOTOR PROGRAMMED (M17)																											
161	0131M00745	MOTOR 3/4 HP MOTOR PROGRAMMED (M7)																											
161	0131M00746	MOTOR 3/4 HP MOTOR PROGRAMMED (M4)																											
161	0131M00476	MOTOR PROGRAMMED (M5)																											
161	0131M00513	MOTOR PROGRAMMED (M14)																											
161	0131M00611	MOTOR PROGRAMMED (M6)																											
161	0131M00606	MOTOR, 1 HP PROGRAMMED (M24)																											
161	0131M00393	Motor, 1/2 HP, Programmed (M1)																											
161	0131M00394	Motor, 3/4 HP, Programmed (M8, M9)																											
161	0131M00481	Motor, 3/4 HP, Programmed (M2)																											
161	0131M00609	Motor, 3/4 HP, Programmed (M10, M12)																											