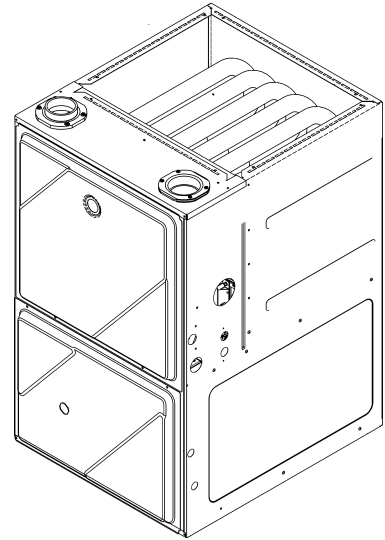


AMVM97 97% ECM Up Flow Furnace

AMVM970603BNBA
AMVM970803BNBA
AMVM970804CNBA
AMVM971005CNBA
AMVM971205DNBA



Amana® is a registered trademark of Maytag Corporation or its related companies and is used under license. All rights reserved.

This manual is to be used by qualified technicians only.

© 2019 Goodman Company, L.P. ♦ 5151 San Felipe St, Suite 500 ♦ Houston, TX 77056

Important Information

Index

Functional Parts List	3
Illustration and Parts	4 - 11

Views shown are for parts illustrations only, not servicing procedures

Text Codes:

AR - As Required

NA - Not Available

NS - Not Shown

00000000 - See Note

QTY - Quantity Example (QTY 3) (If Quantity not shown, Quantity = 1)

M - Model Example (M1) (If M Code not shown, then part is used on all Models)

Expanded Model Nomenclature:

Example M1 - Model#1 M2 - Model#2 M3 - Model#3

Goodman Company, L.P. is not responsible for personal injury or property damage resulting from improper service. Review all service information before beginning repairs.

Warranty service must be performed by an authorized technician, using authorized factory parts. If service is required after the warranty expires, Goodman Company, L.P. also recommends contacting an authorized technician and using authorized factory parts.

Goodman Company, L.P. reserves the right to discontinue, or change at any time, specifications or designs without notice or without incurring obligations.

For assistance within the U.S.A. contact:

Homeowner Support
Goodman Company, L.P.
19001 Kermier Road
Waller, Texas 77484
877-254-4729-Telephone
713-863-2382-Facsimile

For assistance outside the U.S.A. contact:

International Division
Goodman Company, L.P.
19001 Kermier Road
Waller, Texas 77484
713-861-2500-Telephone
713-863-2382-Facsimile

Functional Parts

Part

No: Description:

20162904	*PRIMARY LIMIT-TEMPERATURE CONTROL (M5) *Refer to service bulletin SF-054
0163F00017	BECKETT BURNER (QTY 3)
0271F00161	BLOWER SHELL & WHEEL ASSY (M3, M4)
0271F00159	BLOWER SHELL & WHEEL ASSY (M1, M2)
0271F00163	BLOWER SHELL & WHEEL ASSY (M5)
0130F00010	FLAME SENSOR
0151M00092	GAS VALVE, WR MOD
0257F00305	HEAT EXCHANGER ASSY. (M1)
0257F00306	HEAT EXCHANGER ASSY. (M2)
0257F00308	HEAT EXCHANGER ASSY. (M4)
0257F00309	HEAT EXCHANGER ASSY. (M5)
0257F00307	HEAT EXCHANGER ASSY. (M3)
0130F00008	IGNITOR-SINI 17 SEC
0130M00141	INDUCTOR, 5.9 AMPS (GMPE100-4) (M3, M4, M5)
10123529	MANUAL RESET LIMIT (QTY 2)
0131M00272	MOTOR, 1 HP, SERIAL ECM (M4, M5)
0131M00270	MOTOR, 1/2 HP, SERIAL ECM (M1, M2)
0131M00271	MOTOR, 3/4 HP, SERIAL ECM (M3)
PCBCM100	PCB CONTROL
PCBKF204	PCB, FURNACE CONTROL
0130F00723	PRESSURE SWITCH (M1)
0130F00722	PRESSURE SWITCH (M3)
0130F00724	PRESSURE SWITCH (M2)
0130F00725	PRESSURE SWITCH (M4)
0130F00726	PRESSURE SWITCH (M5)
0130F00429	PRESSURE SWITCH
20162903	PRIMARY LIMIT - BLUE (M3, M4)
0130F00038	PRIMARY LIMIT - LT BLUE 120° (QTY 2)
0130F00036	PRIMARY LIMIT - PINK (M1)
20162906	PRIMARY LIMIT - WHITE (M2)
0130M00140	TRANSFORMER,(120V TO 24V,40VA)
NOT REQUIRED	PCB, Shared Data Chip NA. Shared data only available thru CoolCloud HVAC app.

SPECIAL PARTS

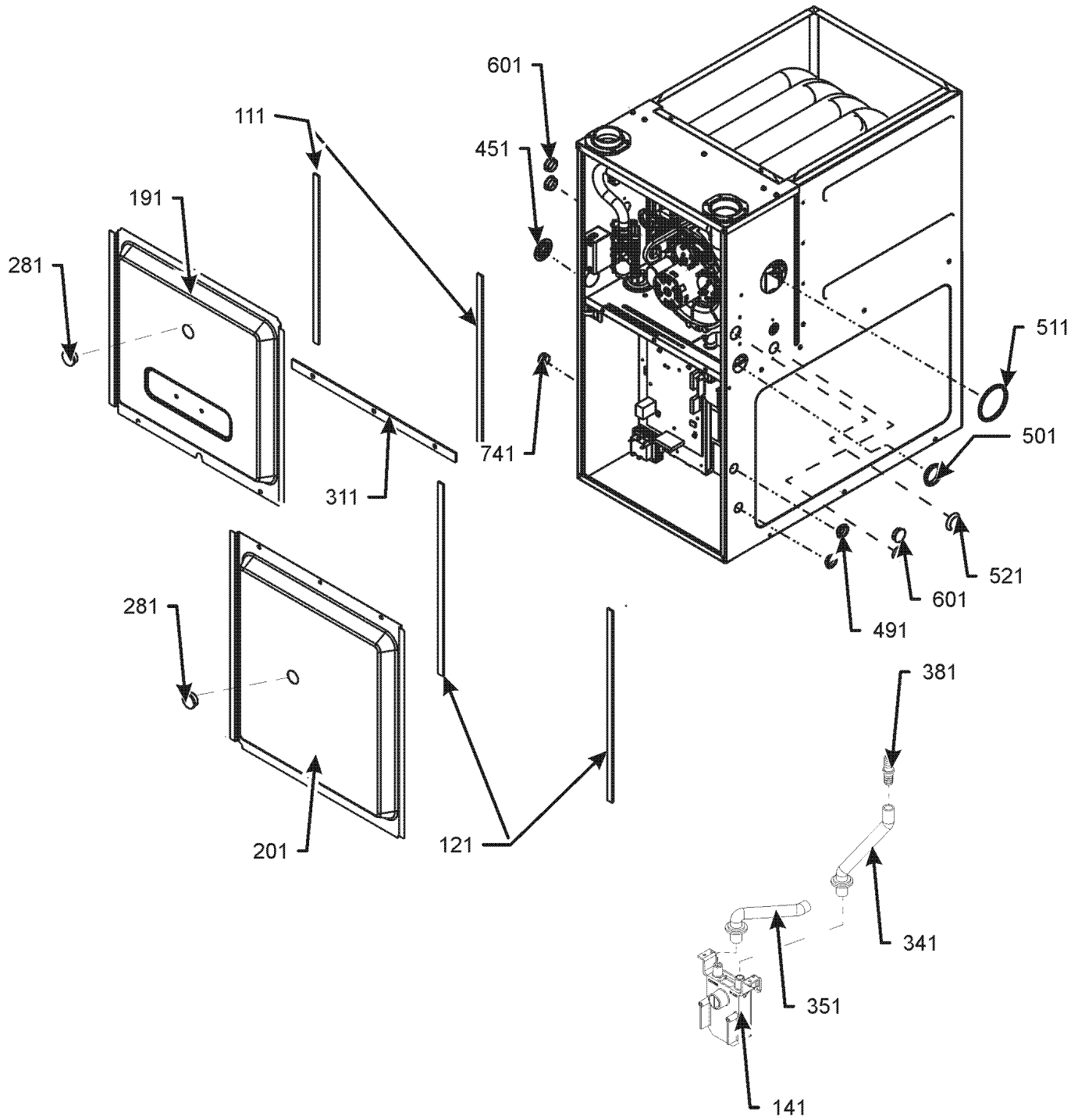
0161M00032 NAMEPLATE, AMANA

Expanded Model Nomenclature

M1 - AMVM970603BNBA
M2 - AMVM970803BNBA
M3 - AMVM970804CNBA
M4 - AMVM971005CNBA
M5 - AMVM971205DNBA

Cabinet Assembly

CABINET ASSEMBLY



DRAIN TRAP ASSEMBLY

Cabinet Assembly

Ref. Part No: No:	Description:	Ref. Part No: No:	Description:
-------------------	--------------	-------------------	--------------

Image 1:

111	0154F00024	GASKET (QTY 2)
121	0154F00025	GASKET (QTY 2)
141	0161F00046	DRAIN TRAP
191	0121F00338LG	DOOR ACCESS 21" PNT (M3, M4)
191	0121F00337LG	DOOR, ACCESS 17.5" PNT (M1, M2)
191	0121F00339LG	DOOR, ACCESS 24.5" PNT (M5)
201	0121F00340LG	DOOR, BLOWER 17.5" PNT (M1, M2)
201	0121F00341LG	DOOR, BLOWER 21" PNT (M3, M4)
201	0121F00342LG	DOOR, BLOWER 24.5" PNT (M5)
281	B1392139	VIEW PORT BUSHING-BLOWER DOOR (QTY 2)
311	0154F00020	GASKET, DECK (M1, M2)
311	0154F00021	GASKET, DECK (M3, M4)
311	0154F00022	GASKET, DECK (M5)
341	0164F00017	HOSE-ELBOW/TRAP
351	0164F00006	HOSE, COVER/TRAP
381	0161F00047	COUPLING, HOSE BARBED
451	M0501301	PIPE GROMMET
491	M0570808	BUTTON PLUG (QTY 3)
501	M0570806	BUTTON PLUG
511	M0570807	BUTTON PLUG
521	0161M00027	PLUG, HOLE
601	B1392021	PLASTIC PLUG, 1" (2713-BLK) (QTY 4)
741	B1392104	UNIVERSAL BUSHING UB 875
NS	M0310345	BUTTON PLUG (QTY 2)
NS	0163M00460	CLAMP-HOSE (QTY 2)
NS	0270F04115	DRAIN KIT ASSY UF
NS	0163M00319	HEX-NUT INSERT (QTY 3)
NS	0161M00032	NAMEPLATE, AMANA
NS	M0209730	SCREW-DECORATIVE (QTY 3)
NS	M0273904	SCREW-RETAINER (QTY 3)

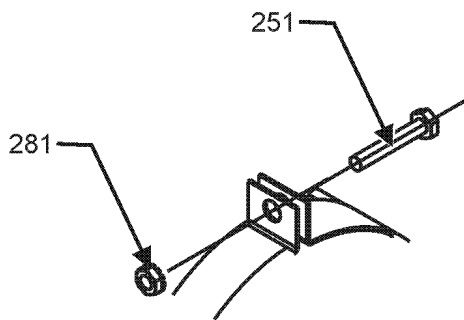
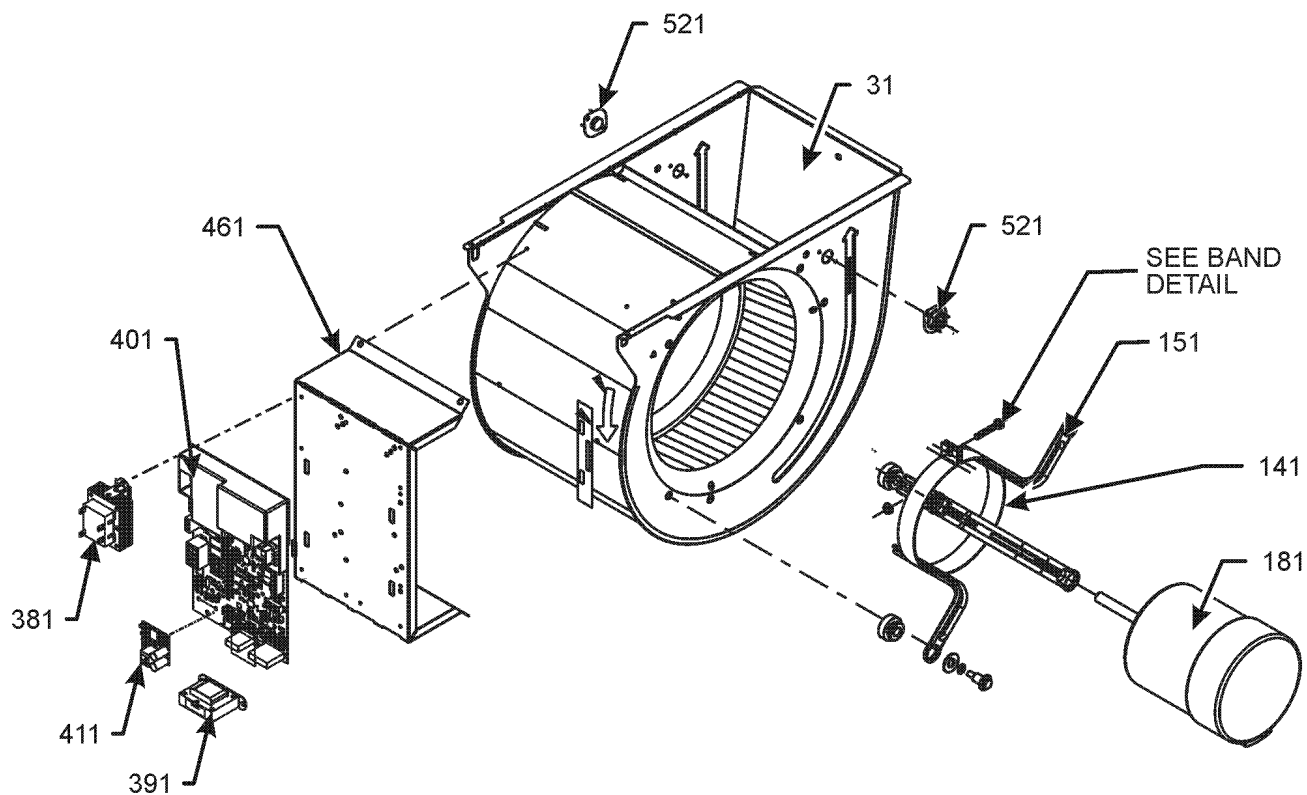
Expanded Model Nomenclature

- | |
|---------------------|
| M1 - AMVM970603BNBA |
| M2 - AMVM970803BNBA |
| M3 - AMVM970804CNBA |
| M4 - AMVM971005CNBA |
| M5 - AMVM971205DNBA |

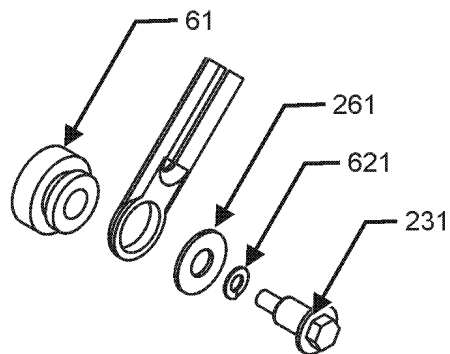
Blower Assembly

BLOWER ASSEMBLY

*If end bells are needed please order the following:
 0131M00182 - 1/2 HP
 0131M00183 - 3/4 HP
 0131M00184 - 1 HP



BAND DETAIL



BLOWER ARM DETAIL

BLOWER ASSEMBLY MAY DIFFER FROM WHAT IS SHOWN

Blower Assembly

Ref. Part No:	Ref. Part No:	Description:	Description:
Image 1:			
31	0271F00159	BLOWER SHELL & WHEEL ASSY (M1, M2)	
31	0271F00161	BLOWER SHELL & WHEEL ASSY (M3, M4)	
31	0271F00163	BLOWER SHELL & WHEEL ASSY (M5)	
61	A4002702	BLOWER MOTOR GROMMET (M3, M4, M5)	
141	0121M00038	MOTOR MOUNT BAND (M1, M2)	
141	10441601	MOTOR MOUNT BAND (M3, M4, M5)	
151	10441501	MOTOR MOUNT ARM (M3, M4, M5)	
151	B1376857	MOTOR MOUNT ARM (M1, M2)	
181	0131M00272	MOTOR, 1 HP, SERIAL ECM (M4, M5)	
181	0131M00270	MOTOR, 1/2 HP, SERIAL ECM (M1, M2)	
181	0131M00271	MOTOR, 3/4 HP, SERIAL ECM (M3)	
231	0163F00028	SCREW (M3, M4, M5)	
231	M0250565	SCREW-TC 1.25" (M1, M2)	
251	B1393323	SCREW,MACH HWH 1/4-20X1 1/2 BZ (M1, M2)	
251	M0267144	SCREW-MACH (M3, M4, M5)	
261	B1392918	WASHER, FLAT 1/4 ID X 1 OD (M1, M2)	
261	M0274008	WASHER-FLAT (M3, M4, M5)	
281	M0282015	KEPS NUT (M3, M4, M5)	
281	B1393800	LOCKNUT, NYLON, INSERT 1/4, 20 (M1, M2)	
381	0130M00140	TRANSFORMER ,(120V TO 24V,40VA,	
391	0130M00141	INDUCTOR, 5.9 AMPS (GMPE100-4) (M3, M4, M5)	
401	PCBKF204	PCB, FURNACE CONTROL	
411	PCBCM100	PCB CONTROL	
461	0121F00464	MOUNTING PLATE-CONTROLS	
521	0130F00038	PRIMARY LIMIT - LT BLUE 120° (QTY 2)	
621	B1392820	WASHER, SPLIT LOCK 1/4 BZ (M3, M4, M5)	
NS	0159F00083	CABLE,RJ12	
NS	0259F00040	CONTROL HARNESS	
NS	0154F00041	GASKET FRESH AIR (QTY 2)	
NS	0259F00041	HARNESS-POWER (M3, M4, M5)	
NS	0259F00024	WIRE HARNESS-BLOWER	
NS	NOT REQUIRED	PCB, Shared Data Chip NA. Shared data only available thru CoolCloud HVAC app.	

Expanded Model Nomenclature

M1 - AMVM970603BNBA
M2 - AMVM970803BNBA
M3 - AMVM970804CNBA
M4 - AMVM971005CNBA
M5 - AMVM971205DNBA

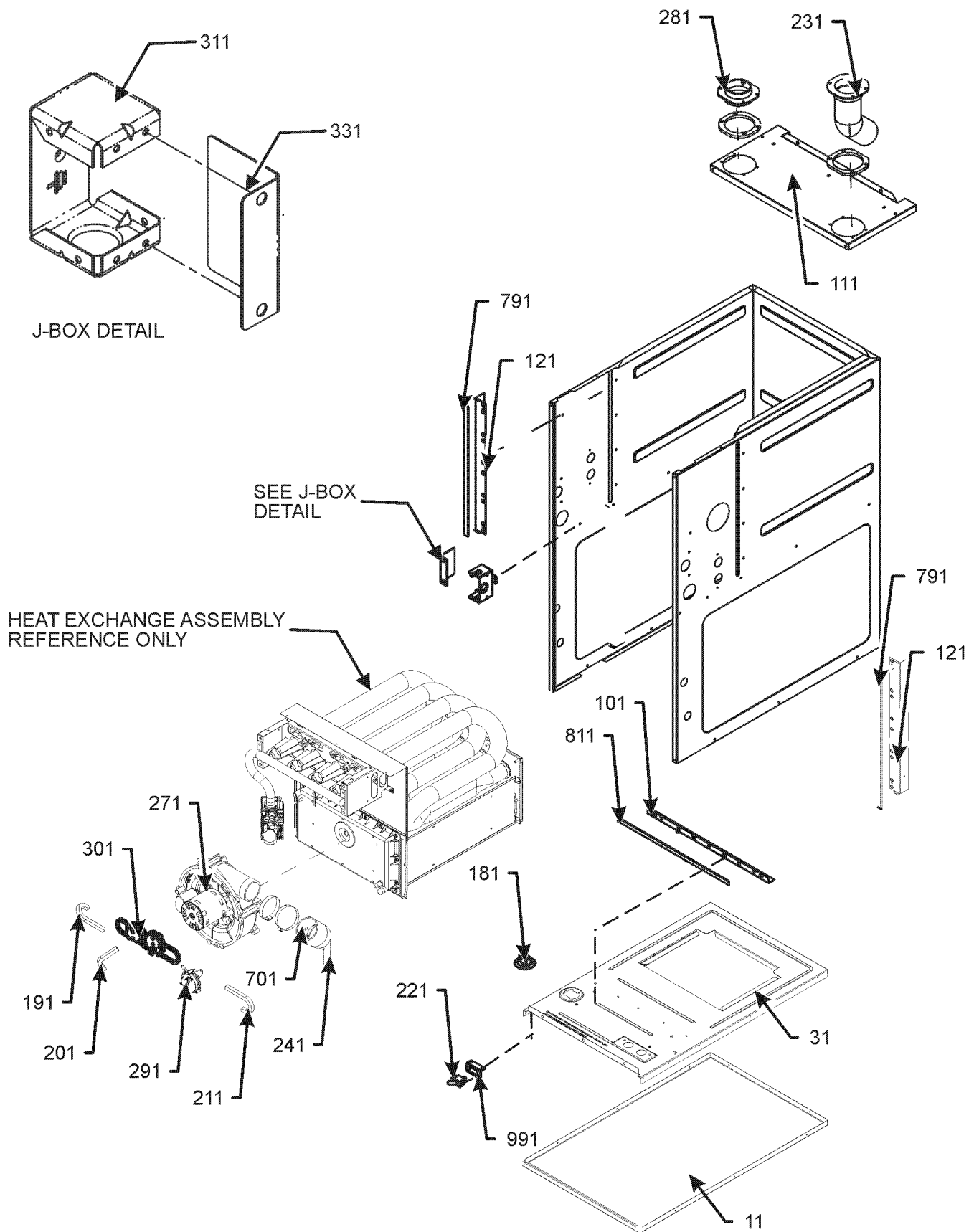
*If end bells are needed please order the following:

0131M00182 - 1/2 HP

0131M00183 - 3/4 HP

0131M00184 - 1 HP

Chassis Assembly



Chassis Assembly

Ref. Part No:	Ref. Part No:	Description:	Description:
---------------	---------------	--------------	--------------

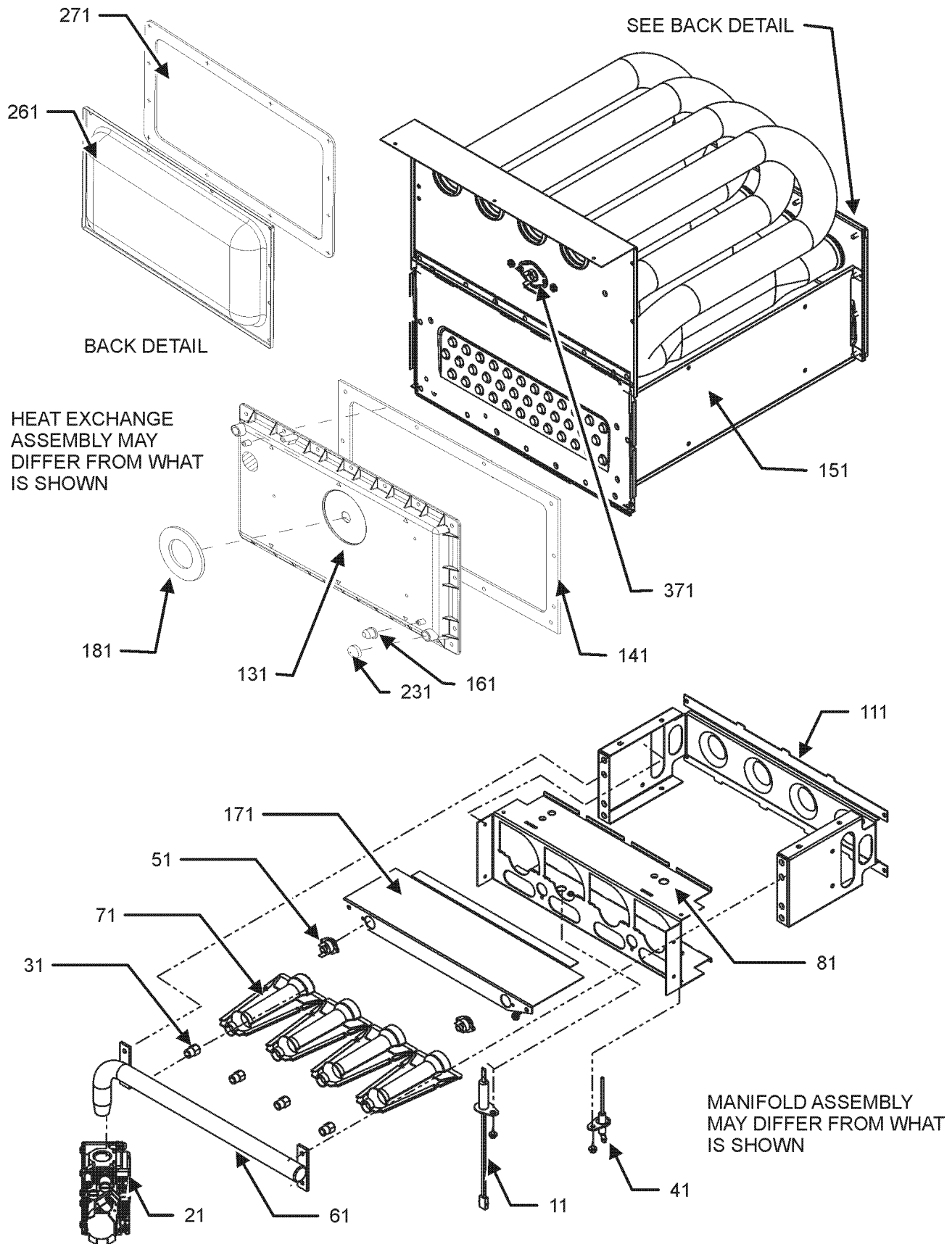
Image 1:

11	0121F00530DG	BASEPAN, 17.5 (M1, M2)
11	0121F00531DG	BASEPAN, 21 (M3, M4)
11	0121F00532DG	BASEPAN, 24.5 PNT (M5)
31	0121F00533	DECK-BLOWER 17.5" (M1, M2)
31	0121F00534	DECK-BLOWER 21" (M3, M4)
31	0121F00535	DECK-BLOWER 24.5" (M5)
101	0121F00314	ANGLE, DECK (M1, M2)
101	0121F00315	ANGLE, DECK (M3, M4)
101	0121F00316	ANGLE, DECK (M5)
111	0121F00279DG	PAINTED TOP, FURNACE 17.5 (M1, M2)
111	0121F00280DG	PAINTED TOP, FURNACE 21 (M3, M4)
111	0121F00281DG	PAINTED TOP, FURNACE 24.5 (M5)
121	0121F00313	ANGLE, SIDE (QTY 2)
181	0159F00093	HARNESS,WIRING (M3, M4, M5)
181	0159F00094	HARNESS,WIRING (M1, M2)
191	0164M00031	14" PRESSURE SWITCH HOSES (M5)
191	0164M00009	HOSE-PRESSURE SW (M3, M4)
191	0164M00007	PRESSURE SWITCH HOSE (M1, M2)
201	0164M00002	HOSE-PRESSURE SW
211	0164M00019	HOSE-PRESSURE SW 6"
221	0130M00243	INTERLOCK SWITCH
231	0164F00002	FLUE PIPE W/BEND
241	0164F00001	ELBOW-FLUE, UPFLOW
271	0171M00009	MOTOR-ID, BLOWER
281	0161F00037	COUPLING
291	0130F00429	PRESSURE SWITCH
301	0130F00722	PRESSURE SWITCH (M3)
301	0130F00723	PRESSURE SWITCH (M1)
301	0130F00724	PRESSURE SWITCH (M2)
301	0130F00725	PRESSURE SWITCH (M4)
301	0130F00726	PRESSURE SWITCH (M5)
311	0161F00042	JUNCTION BOX PLA
331	0161F00043	JUNCTION BOX LID
701	M0326804	PLUG-TUBE
791	0154F00015	GASKET (QTY 2)
811	0154F00014	GASKET (M1, M2)
811	0154F00016	GASKET (M3, M4)
811	20194607	GASKET (M5)
991	0121F00389	BRACKET, DOOR SWITCH
NS	0160F00015	INSULATION, HT EXCHANGER 17.5" (M1, M2)
NS	0160F00016	INSULATION, HT EXCHANGER 21" (M3, M4)
NS	0160F00017	INSULATION, HT EXCHANGER 24.5" (M5)
NS	0160F00018	INSULATION, SIDE (QTY 2)
NS	0160F00012	INSULATION-BACK 17.5" (M1, M2)
NS	0160F00013	INSULATION-BACK 21" (M3, M4)
NS	0160F00014	INSULATION-BACK 24.5" (M5)

Expanded Model Nomenclature

- | |
|---------------------|
| M1 - AMVM970603BNBA |
| M2 - AMVM970803BNBA |
| M3 - AMVM970804CNBA |
| M4 - AMVM971005CNBA |
| M5 - AMVM971205DNBA |

Heat Exchange Assembly



Heat Exchange Assembly

Ref. Part No: No:	Description:	Ref. Part No: No:	Description:
Image 1:		Expanded Model Nomenclature	
11	0130F00008	IGNITOR-SINI 17 SEC	M1 - AMVM970603BNBA
21	0151M00092	GAS VALVE, WR MOD	M2 - AMVM970803BNBA
31	10716005	ORIFICE, #45 DRILL (QTY 3)	M3 - AMVM970804CNBA
41	0130F00010	FLAME SENSOR	M4 - AMVM971005CNBA
51	10123529	MANUAL RESET LIMIT (QTY 2)	M5 - AMVM971205DNBA
61	0163F00008	MANIFOLD (M1)	
61	0163F00009	MANIFOLD (M3)	
61	0163F00010	MANIFOLD (M4)	
61	0163F00011	MANIFOLD (M5)	
61	0163F00014	MANIFOLD (M2)	
71	0163F00017	BECKETT BURNER (QTY 3)	
81	0121F00455	BRACKET-BURNER 3 (M1)	
81	0121F00454	BRACKET-BURNER 4 (M2, M3)	
81	0121F00453	BRACKET-BURNER 5 (M4)	
81	0121F00451	BRACKET-BURNER 6 (M5)	
111	0121F00458	ORIFICE BRACKET-BURNER 3 (M1)	
111	0121F00457	ORIFICE BRACKET-BURNER 4 (M2, M3)	
111	0121F00452	ORIFICE BRACKET-BURNERS 5 (M4)	
111	0121F00447	ORIFICE BRACKET-BURNERS 6 (M5)	
131	0161F00018	COVER, FRONT (M4)	
131	0161F00031	COVER, FRONT (M2)	
131	0161F00056	COVER, FRONT (M1)	
131	0161F00065	COVER, FRONT (M3)	
131	0161F00066	COVER, FRONT (M5)	
141	0154F00026	GASKET FRONT COVER (M1, M2)	
141	0154F00030	GASKET FRONT COVER (M3, M4)	
141	0154F00034	GASKET FRONT COVER (M5)	
151	0257F00305	HEAT EXCHANGER ASSY. (M1)	
151	0257F00306	HEAT EXCHANGER ASSY. (M2)	
151	0257F00307	HEAT EXCHANGER ASSY. (M3)	
151	0257F00308	HEAT EXCHANGER ASSY. (M4)	
151	0257F00309	HEAT EXCHANGER ASSY. (M5)	
161	M0326804	TUBE PLUG	
171	0121F00540	SHEILD, BURNER (M1)	
171	0121F00541	SHEILD, BURNER (M2, M3)	
171	0121F00542	SHEILD, BURNER (M4)	
171	0121F00543	SHEILD, BURNER (M5)	
181	0154F00043	GASKET ID BLOWER	
231	A1781105	CAP-VINYL .500	
261	0121F00317	COVER, REAR (M1, M2)	
261	0121F00318	COVER, REAR (M3, M4)	
261	0121F00319	COVER, REAR (M5)	
271	0154F00037	GASKET, REAR CVR (M1, M2)	
271	0154F00038	GASKET, REAR CVR (M3, M4)	
271	0154F00039	GASKET, REAR CVR (M5)	
371	20162904	*PRIMARY LIMIT-TEMPERATURE CONTROL (M5) *Refer to service bulletin SF-054	
371	20162903	PRIMARY LIMIT - BLUE (M3, M4)	
371	0130F00036	PRIMARY LIMIT - PINK (M1)	
371	20162906	PRIMARY LIMIT - WHITE (M2)	