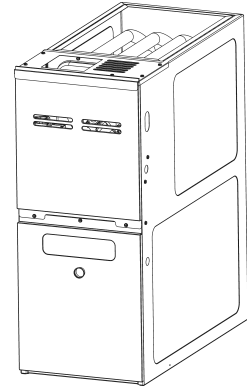


AMEC 80% High Efficient Furnace

AMEC800403ANAA
AMEC800603BNAA
AMEC800603BXAA
AMEC800803BNAA
AMEC800803BXAA
AMEC800804BNAA
AMEC800804BXAA
AMEC800804CNAA
AMEC800804CXAA
AMEC800805CNAA
AMEC800805CXAA
AMEC800805DXAA
AMEC801005CNAA
AMEC801005CXAA



Amana® is a registered trademark of Maytag Corporation or its related companies and is used under license. All rights reserved.

This manual is to be used by qualified technicians only.

Important Information

Index

Functional Parts List	3
Illustration and Parts	4 - 9

Views shown are for parts illustrations only, not servicing procedures

Text Codes:

AR - As Required

NA - Not Available

NS - Not Shown

00000000 - See Note

QTY - Quantity Example (QTY 3) (If Quantity not shown, Quantity = 1)

M - Model Example (M1) (If M Code not shown, then part is used on all Models)

Expanded Model Nomenclature:

Example M1 - Model#1 M2 - Model#2 M3 - Model#3

Goodman Company, L.P. is not responsible for personal injury or property damage resulting from improper service. Review all service information before beginning repairs.

Warranty service must be performed by an authorized technician, using authorized factory parts. If service is required after the warranty expires, Goodman Company, L.P. also recommends contacting an authorized technician and using authorized factory parts.

Goodman Company, L.P. reserves the right to discontinue, or change at any time, specifications or designs without notice or without incurring obligations.

For assistance within the U.S.A. contact:

Homeowner Support
Goodman Company, L.P.
19001 Kermier Road
Waller, Texas 77484
877-254-4729-Telephone
713-863-2382-Facsimile

For assistance outside the U.S.A. contact:

International Division
Goodman Company, L.P.
19001 Kermier Road
Waller, Texas 77484
713-861-2500-Telephone
713-863-2382-Facsimile

Functional Parts

Part No: **Description:**

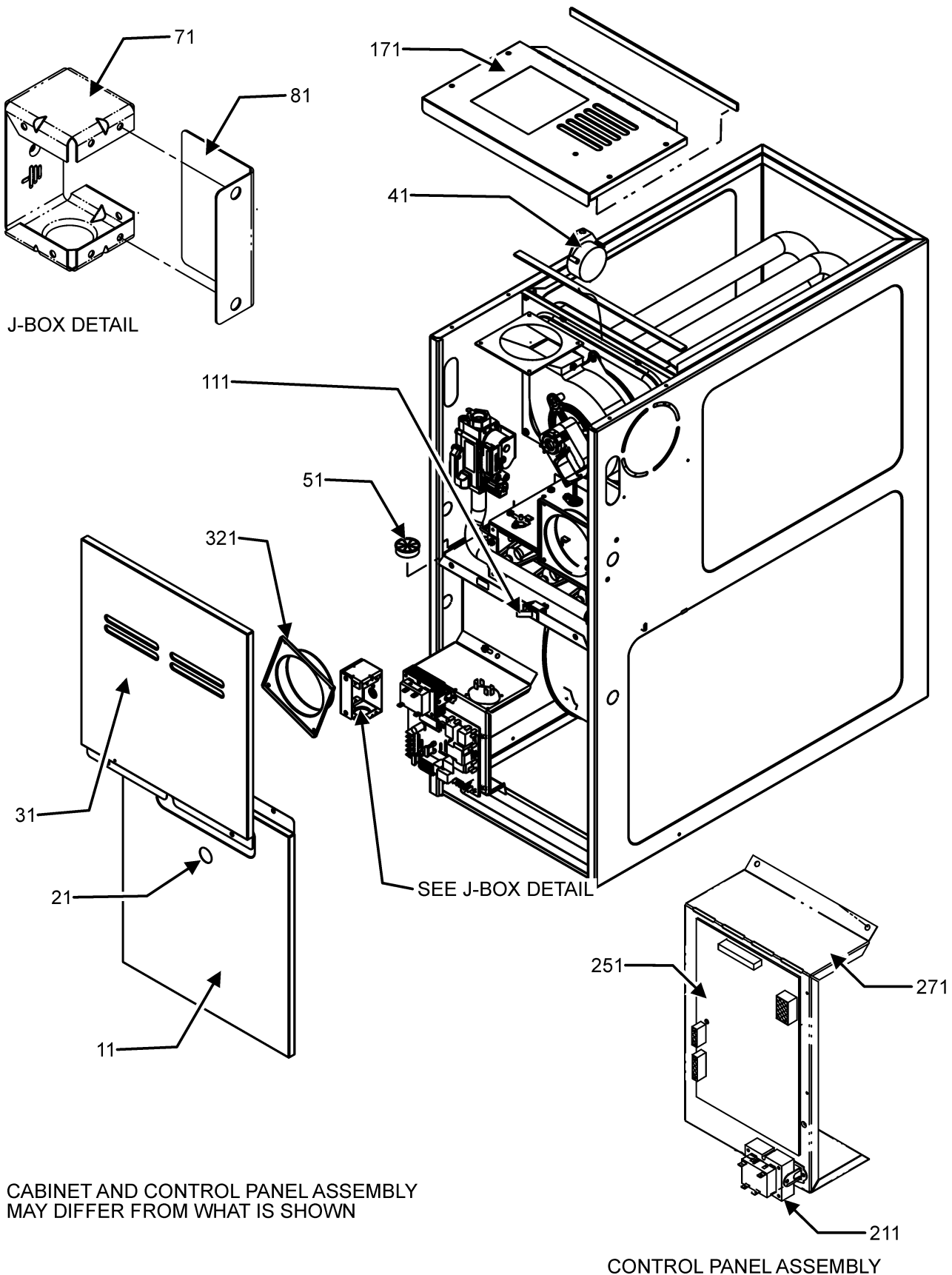
20162904	*PRIMARY LIMIT-TEMPERATURE CONTROL (M4, M5, M6, M7, M8, M9, M12) *Refer to service bulletin SF-054
0130F00574	AIR PRESSURE SWITCH (M1, M2, M3, M12)
0130F00573	AIR PRESSURE SWITCH (M8, M9)
0130F00038	AUX LIMIT - LT BLUE 120°
B1368034	BLOWER WHEEL (10 X 6) (M1)
B1368000	BLOWER WHEEL (11 X 10) (M12)
0130F00509	DUAL STAGE PRESSURE SWITCH (M4, M5, M10, M11)
0130F00508	DUAL STAGE PRESSURE SWITCH (M6, M7, M13, M14)
0130F00010	FLAME SENSOR
0151M00027	GAS VALVE
10690402	INTERLOCK SWITCH
20162903	LIMIT (M2, M3)
0130M00063	LIMIT, PRIMARY, 140, GOLD (M10, M11)
20162906	LIMIT-WHITE (M1)
20162905	LIMIT-YELLOW (M13, M14)
10123529	MANUAL RESET R.O.S. LIMIT (QTY 2)
0131F00112	MOTOR X-13, BLOWER 1/2 H.P. (M1, M2, M3, M4, M5)
0131F00114	MOTOR X-13, BLOWER 1H.P. (M10, M11, M12, M13, M14)
0131F00113	MOTOR X-13, BLOWER 3/4 H.P. (M6, M7, M8, M9)
0131M00781P	MOTOR, VENT 2-STAGE
PCBBF139	PCB IGNITION CONTROL
0131F00161	PROGRAM, MOTOR (M6, M7)
0131F00151	PROGRAM, MOTOR (M10, M11)
0131F00154	PROGRAM, MOTOR (M13, M14)
0131F00160	PROGRAM, MOTOR (M2, M3)
0131F00162	PROGRAM, MOTOR (M4, M5)
0131F00163	PROGRAM, MOTOR (M1)
0131F00164	PROGRAM, MOTOR (M8, M9)
0131F00159	PROGRAM, MOTOR (M12)
0130F00008	SINI IGNITOR
0130M00140	TRANSFORMER,(120V TO 24V,40VA,
DY6.186.070	VENT MOTOR CAPACITOR
0150M00042	WHEEL, BLOWER (10 X 10) (M8, M9, M10, M11, M13, M14)
0150M00043	WHEEL, BLOWER (10 X 8) (M2, M3, M4, M5, M6, M7)

Expanded Model Nomenclature

M1 - AMEC800403ANAA
M2 - AMEC800603BNAA
M3 - AMEC800603BXAA
M4 - AMEC800803BNAA
M5 - AMEC800803BXAA
M6 - AMEC800804BNAA
M7 - AMEC800804BXAA
M8 - AMEC800804CNAA
M9 - AMEC800804CXAA
M10 - AMEC800805CNAA
M11 - AMEC800805CXAA
M12 - AMEC800805DXAA
M13 - AMEC801005CNAA
M14 - AMEC801005CXAA

0161F00006 AMANA NAMEPLATE

Cabinet Assembly



Cabinet Assembly

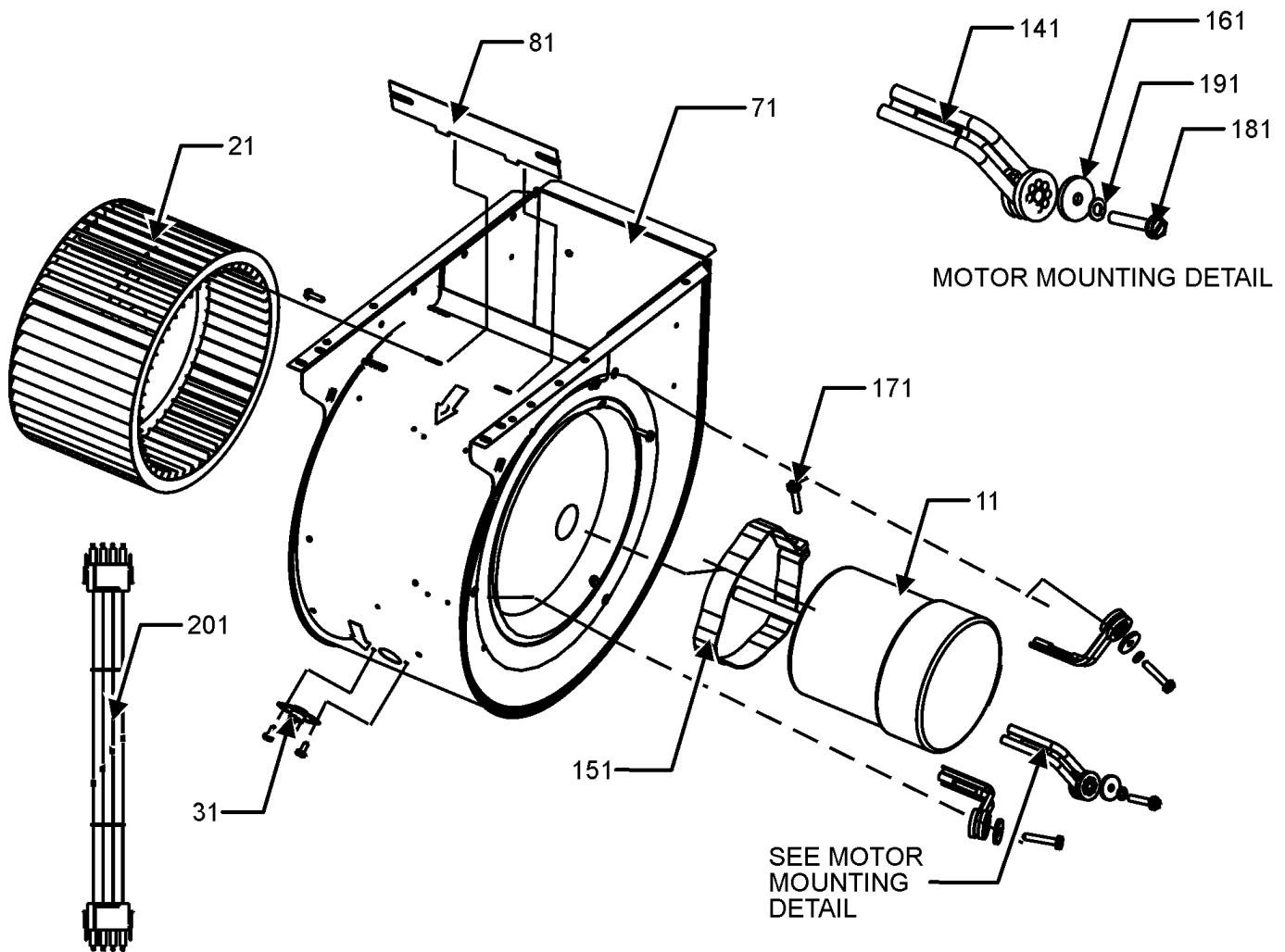
Ref. Part No:	Ref. Part No:	Description:	Description:
Image 1:			
11	0121F00122LG	BLOWER ACCESS DOOR 14" (M1)	
11	0121F00123LG	BLOWER ACCESS DOOR 17.5" (M2, M3, M4, M5, M6, M7)	
11	0121F00124LG	BLOWER ACCESS DOOR 21" (M8, M9, M10, M11, M13, M14)	
21	B1392139	VIEW PORT BUSHING-BLOWER DOOR	
31	0121F00118LG	CONTROL ACCESS DOOR 14" (M1)	
31	0121F00119LG	CONTROL ACCESS DOOR 17.5" (M2, M3, M4, M5, M6, M7)	
31	0121F00120LG	CONTROL ACCESS DOOR 21" (M8, M9, M10, M11, M13, M14)	
41	0130F00573	AIR PRESSURE SWITCH (M8, M9)	
41	0130F00574	AIR PRESSURE SWITCH (M1, M2, M3, M12)	
41	0130F00508	DUAL STAGE PRESSURE SWITCH (M6, M7, M13, M14)	
41	0130F00509	DUAL STAGE PRESSURE SWITCH (M4, M5, M10, M11)	
51	B1392147	UNIVERSAL BUSHING WITH SLICE	
71	4014502	J-BOX	
81	4015502	COVER, J-BOX	
111	10690402	INTERLOCK SWITCH	
171	0121F00141DG	TOP 14" (M1)	
171	0121F00142DG	TOP 17.5" (M2, M3, M4, M5, M6, M7)	
171	0121F00143DG	TOP 21" (M8, M9, M10, M11, M13, M14)	
211	0130M00140	TRANSFORMER,(120V TO 24V,40VA,	
251	PCBBF139	PCB IGNITION CONTROL	
271	0121F00464	MOUNTING PLATE-CONTROLS	
321	4023500	CHIMNEY TRANSITION TOP	
NS	0161F00006	AMANA NAMEPLATE	

Expanded Model Nomenclature

M1 - AMEC800403ANAA
M2 - AMEC800603BNAA
M3 - AMEC800603BXAA
M4 - AMEC800803BNAA
M5 - AMEC800803BXAA
M6 - AMEC800804BNAA
M7 - AMEC800804BXAA
M8 - AMEC800804CNAA
M9 - AMEC800804CXAA
M10 - AMEC800805CNAA
M11 - AMEC800805CXAA
M12 - AMEC800805DXAA
M13 - AMEC801005CNAA
M14 - AMEC801005CXAA

Blower Assembly

BLOWER ASSEMBLY



Blower Assembly

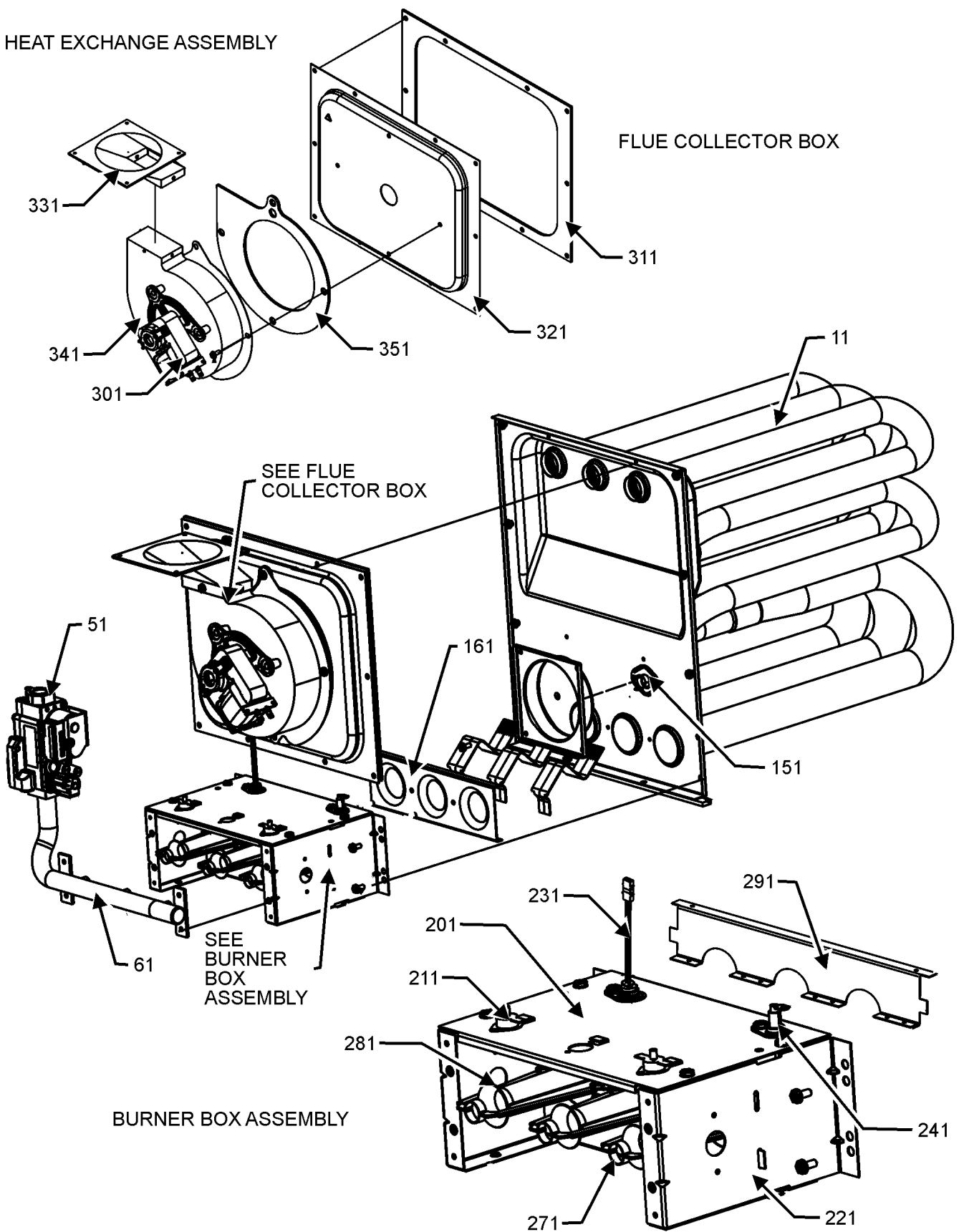
Ref. Part No:	No:	Description:	Ref. Part No:	No:	Description:
Image 1:					
11	0131F00112	MOTOR X-13, BLOWER 1/2 H.P. (M1, M2, M3, M4, M5)			
11	0131F00114	MOTOR X-13, BLOWER 1H.P. (M10, M11, M12, M13, M14)			
11	0131F00113	MOTOR X-13, BLOWER 3/4 H.P. (M6, M7, M8, M9)			
21	B1368034	BLOWER WHEEL (10 X 6) (M1)			
21	B1368000	BLOWER WHEEL (11 X 10) (M12)			
21	0150M00042	WHEEL, BLOWER (10 X 10) (M8, M9, M10, M11, M13, M14)			
21	0150M00043	WHEEL, BLOWER (10 X 8) (M2, M3, M4, M5, M6, M7)			
31	0130F00038	AUX LIMIT - LT BLUE 120°			
71	2539307	BLOWER HOUSING 10 X 10 (M8, M9, M10, M11, M12, M13, M14)			
71	2539305	BLOWER HOUSING 10 X 6 (M1)			
71	2539306	BLOWER HOUSING 10 X 8 (M2, M3, M4, M5, M6, M7)			
81	764741	BLOWER BLOCK-OFF 10 X 10 (M8, M9, M10, M11, M12, M13, M14)			
81	764740	BLOWER BLOCK-OFF 10 X 8 (M2, M3, M4, M5, M6, M7)			
81	764739	BLOWER CUT-OFF 10 X 6 (M1)			
141	B1376863	MOUNT ARM, MOTOR (HEAVY DUTY) (QTY 3)			
151	0121M00039	MOUNT BAND, MOTOR (HEAVY DUTY)			
161	B1392918	WASHER FLAT 1/4 ID X 1OD (QTY 3)			
171	0163M00320	HEX HEAD ALL THREAD TAP BOLT			
181	M0250565	SCREW-TC 1.25" (QTY 3)			
191	B1393800	LOCKNUT NYLON INSERT 1/4,20			
201	0131F00151	PROGRAM, MOTOR (M10, M11)			
201	0131F00154	PROGRAM, MOTOR (M13, M14)			
201	0131F00159	PROGRAM, MOTOR (M12)			
201	0131F00160	PROGRAM, MOTOR (M2, M3)			
201	0131F00161	PROGRAM, MOTOR (M6, M7)			
201	0131F00162	PROGRAM, MOTOR (M4, M5)			
201	0131F00163	PROGRAM, MOTOR (M1)			
201	0131F00164	PROGRAM, MOTOR (M8, M9)			
201	0159F00076	WIRING HARNESS			

Expanded Model Nomenclature

M1 - AMEC800403ANAA
M2 - AMEC800603BNAA
M3 - AMEC800603BXAA
M4 - AMEC800803BNAA
M5 - AMEC800803BXAA
M6 - AMEC800804BNAA
M7 - AMEC800804BXAA
M8 - AMEC800804CNAA
M9 - AMEC800804CXAA
M10 - AMEC800805CNAA
M11 - AMEC800805CXAA
M12 - AMEC800805DXAA
M13 - AMEC801005CNAA
M14 - AMEC801005CXAA

Heat Exchange Assembly

HEAT EXCHANGE ASSEMBLY



Heat Exchange Assembly

Ref. Part No: No:	Description:	Ref. Part No: No:	Description:
Image 1:		Image 1:	
11	0270F00931 HEAT EXCHANGER ASSY (M1)	351	0154F00004 GASKET-17.5 INCH (M2, M3, M4, M5, M6, M7)
11	0270F00933 HEAT EXCHANGER ASSY (M2, M3)	351	0154F00005 GASKET-21 INCH (M8, M9, M10, M11, M12, M13, M14)
11	0270F00934 HEAT EXCHANGER ASSY (M4, M5, M6, M7)		
11	0270F00935 HEAT EXCHANGER ASSY (M8, M9, M10, M11)		
11	0270F00936 HEAT EXCHANGER ASSY (M13, M14)		
11	0270F03017 HEAT EXCHANGER ASSY (M12)		
51	0151M00027 GAS VALVE		
61	0120F00006 MANIFOLD (M1)		
61	0120F00007 MANIFOLD (M2, M3)		
61	0120F00008 MANIFOLD (M4, M5, M6, M7, M8, M9, M10, M11, M12)		
61	0120F00009 MANIFOLD (M13, M14)		
151	20162904 *PRIMARY LIMIT-TEMPERATURE CONTROL (M4, M5, M6, M7, M8, M9, M12) *Refer to service bulletin SF-054		
151	20162903 LIMIT (M2, M3)		
151	0130M00063 LIMIT, PRIMARY, 140, GOLD (M10, M11)		
151	20162906 LIMIT-WHITE (M1)		
151	20162905 LIMIT-YELLOW (M13, M14)		
161	4028000 ORIFICE SHIELD 2 CELL (M1)		
161	4028001 ORIFICE SHIELD 3 CELL (M2, M3)		
161	4028002 ORIFICE SHIELD 4 CELL (M4, M5, M6, M7, M8, M9, M10, M11, M12)		
161	4028003 ORIFICE SHIELD 5 CELL (M13, M14)		
201	0121F00162 BURNER BOX TOP 2 CELL (M1)		
201	0121F00163 BURNER BOX TOP 3 CELL (M2, M3)		
201	0121F00164 BURNER BOX TOP 4 CELL (M4, M5, M6, M7, M8, M9, M10, M11, M12)		
201	0121F00165 BURNER BOX TOP 5 CELL (M13, M14)		
211	10123529 MANUAL RESET R.O.S. LIMIT (QTY 2)		
221	0121F00146 SIDE PLATE BURNER BOX (QTY 2)		
231	0130F00008 SINI IGNITOR		
241	0130F00010 FLAME SENSOR		
271	10716005 ORIFICE (QTY 2)		
281	B4022700 INSHOT BURNER ASSY 3" (QTY 2)		
291	0121F00167 BURNER BRACKET 2B (M1)		
291	0121F00168 BURNER BRACKET 3B (M2, M3)		
291	0121F00169 BURNER BRACKET 4B (M4, M5, M6, M7, M8, M9, M10, M11, M12)		
291	0121F00170 BURNER BRACKET 5B (M13, M14)		
301	DY6.186.070 VENT MOTOR CAPACITOR		
311	0154F00003 GASKET-14 INCH (M1)		
311	0154F00004 GASKET-17.5 INCH (M2, M3, M4, M5, M6, M7)		
311	0154F00005 GASKET-21 INCH (M8, M9, M10, M11, M12, M13, M14)		
321	0121F00327 14" COLLECTOR BOX 1.125" DIA (M1)		
321	0121F00328 17.5" COLLECTOR BOX 1.250" DIA (M2, M3)		
321	0121F00334 21" COLLECTOR BOX 1.625" DIA (M12)		
321	0121F00333 21" COLLECTOR BOX 1.75" DIA (M13, M14)		
321	0121F00336 21" FLUE COLLECTOR BOX 1.50" (M10, M11)		
321	0121F00655 COLLECTOR BOX 17.5" 1.437 DIA (M4, M5, M6, M7)		
321	0121F00659 COLLECTOR BOX 21" 1.40 DIA (M8, M9)		
331	0128F00006 CHIMNEY TRANSITION BOTTOM		
341	0131M00781P MOTOR, VENT 2-STAGE		
351	0154F00003 GASKET-14 INCH (M1)		

Expanded Model Nomenclature

M1 - AMEC800403ANAA
M2 - AMEC800603BNAA
M3 - AMEC800603BXAA
M4 - AMEC800803BNAA
M5 - AMEC800803BXAA
M6 - AMEC800804BNAA
M7 - AMEC800804BXAA
M8 - AMEC800804CNAA
M9 - AMEC800804CXAA
M10 - AMEC800805CNAA
M11 - AMEC800805CXAA
M12 - AMEC800805DXAA
M13 - AMEC801005CNAA
M14 - AMEC801005CXAA