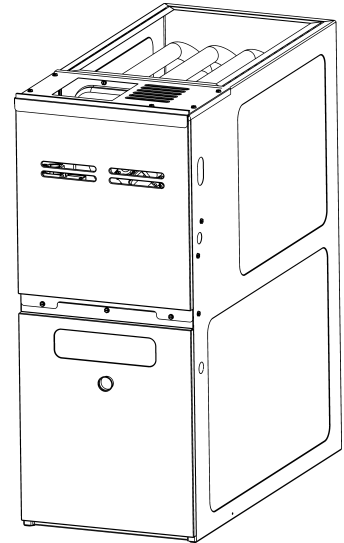


AMVC 80% High Efficient Furnace

AMVC800603BNAA
AMVC800603BXAA
AMVC800604BNAA
AMVC800604BXAA
AMVC800803BNAA
AMVC800804CNAA
AMVC800804CXAA
AMVC800805CNAA
AMVC800805CXAA
AMVC800805DNAA
AMVC801005CNAA
AMVC801005CXAA



Amana® is a registered trademark of Maytag Corporation or its related companies and is used under license. All rights reserved.

This manual is to be used by qualified technicians only.

© 2019 Goodman Company, L.P. ♦ 19001 Kermier Rd. ♦ Waller, TX 77484

Important Information

Index

Functional Parts List	3
Illustration and Parts	4 - 9

Views shown are for parts illustrations only, not servicing procedures

Text Codes:

AR - As Required

NA - Not Available

NS - Not Shown

00000000 - See Note

QTY - Quantity Example (QTY 3) (If Quantity not shown, Quantity = 1)

M - Model Example (M1) (If M Code not shown, then part is used on all Models)

Expanded Model Nomenclature:

Example M1 - Model#1 M2 - Model#2 M3 - Model#3

Goodman Company, L.P. is not responsible for personal injury or property damage resulting from improper service. Review all service information before beginning repairs.

Warranty service must be performed by an authorized technician, using authorized factory parts. If service is required after the warranty expires, Goodman Company, L.P. also recommends contacting an authorized technician and using authorized factory parts.

Goodman Company, L.P. reserves the right to discontinue, or change at any time, specifications or designs without notice or without incurring obligations.

For assistance within the U.S.A. contact:

Homeowner Support
Goodman Company, L.P.
19001 Kermier Road
Waller, Texas 77484
877-254-4729-Telephone
713-863-2382-Facsimile

For assistance outside the U.S.A. contact:

International Division
Goodman Company, L.P.
19001 Kermier Road
Waller, Texas 77484
713-861-2500-Telephone
713-863-2382-Facsimile

Functional Parts

Part

No: Description:

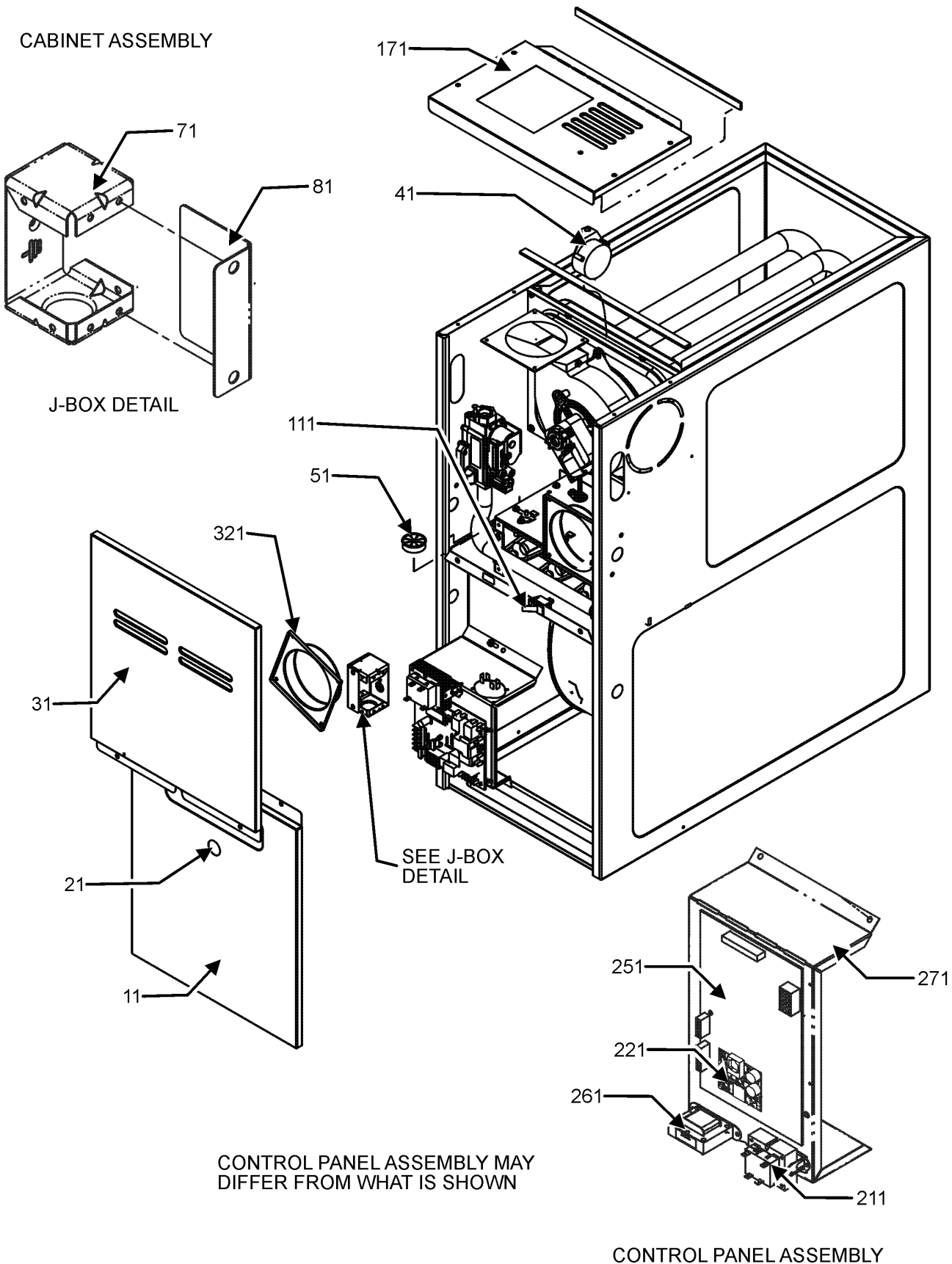
20162904	*PRIMARY LIMIT-TEMPERATURE CONTROL (M5, M6, M7, M10)
0130F00574	AIR PRESSURE SWITCH (M1, M2, M10)
0130F00573	AIR PRESSURE SWITCH (M6, M7)
SHARED DATA	Available thru CoolCloud HVAC app.
0130F00508	DUAL STAGE PRESSURE SWITCH (M11, M12)
0130F00509	DUAL STAGE PRESSURE SWITCH (M3, M4, M5, M8, M9)
0130F00010	FLAME SENSOR
0151M00027	GAS VALVE
0130M00141	INDUCTOR, 5.9 AMPS (GMPE100-4) (M3, M4, M6, M7, M8, M9, M10, M11, M12)
10690402	INTERLOCK SWITCH
0130F00038	LIMIT, PRIMARY 120 LT BLUE
0130M00063	LIMIT, PRIMARY, 140, GOLD (M3, M4, M8, M9)
20162903	LIMIT-BLUE (M1, M2)
20162905	LIMIT-YELLOW (M11, M12)
10123529	MANUAL RESET R.O.S. LIMIT (QTY 2)
0131M00270	MOTOR, 1/2 HP, SERIAL ECM (M1, M2, M5, M6, M7)
0131M00271	MOTOR, 3/4 HP, SERIAL ECM (M3, M4, M8, M9, M10, M11, M12)
0131M00781P	MOTOR, VENT 2-STAGE
PCBKF107	PCB, CONTROL BOARD
PCBCM100	PCB,CONTROL
0130F00008	SINI IGNITOR
0130M00140	TRANSFORMER,(120V TO 24V,40VA,

Expanded Model Nomenclature

M1 - AMVC800603BNAA
M2 - AMVC800603BXAA
M3 - AMVC800604BNAA
M4 - AMVC800604BXAA
M5 - AMVC800803BNAA
M6 - AMVC800804CNAA
M7 - AMVC800804CXAA
M8 - AMVC800805CNAA
M9 - AMVC800805CXAA
M10 - AMVC800805DNAA
M11 - AMVC801005CNAA
M12 - AMVC801005CXAA

0161F00006 AMANA NAMEPLATE

Cabinet and Control Panel Assembly



Cabinet and Control Panel Assembly

Ref. Part No:	Part No:	Description:	Ref. Part No:	Part No:	Description:
---------------	----------	--------------	---------------	----------	--------------

Image 1:

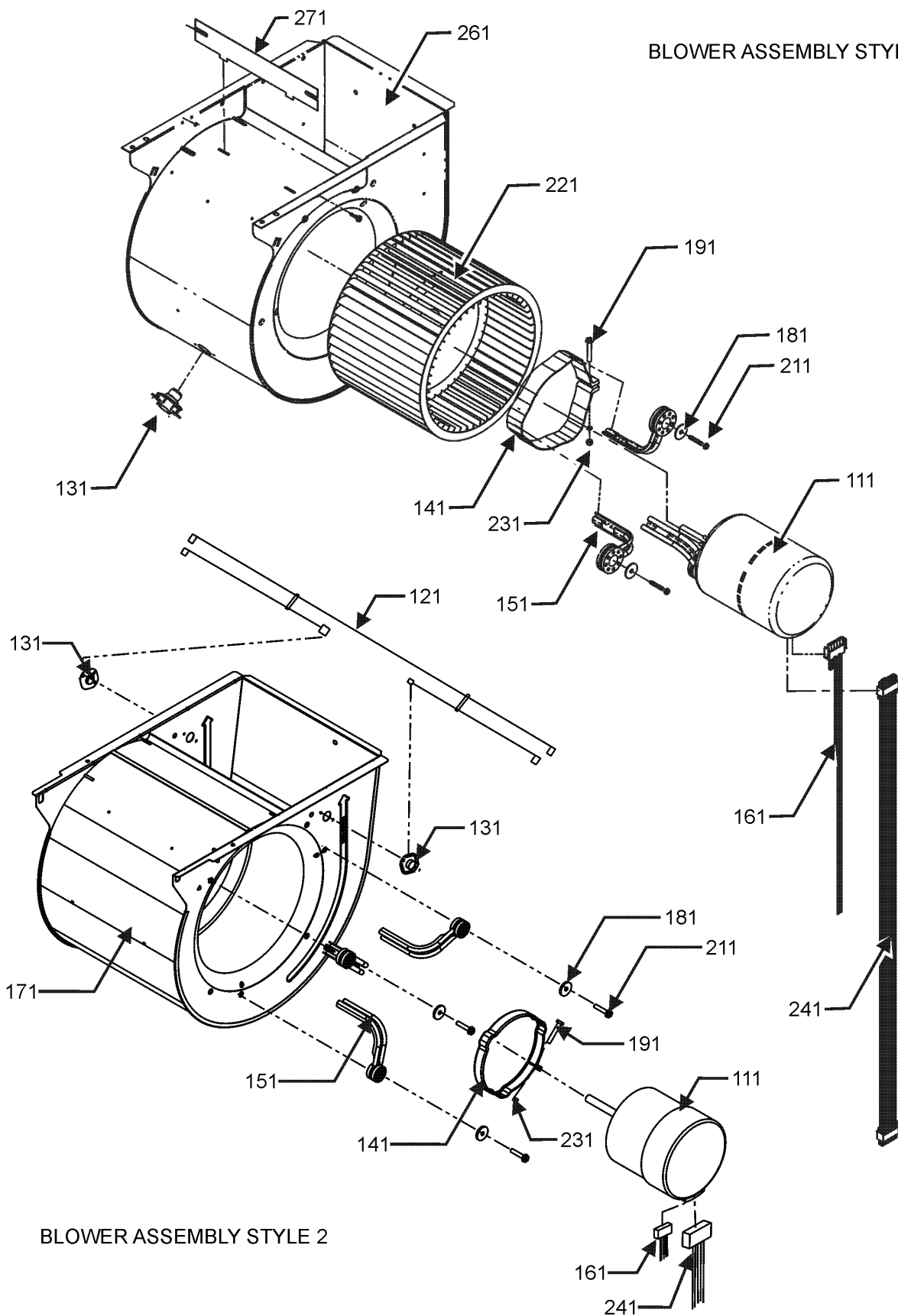
11	0121F00123LG	DOOR, BLOWER, 17.5" PAINTED (M1, M2, M3, M4, M5)			
11	0121F00124LG	DOOR, BLOWER, 21"-PAINTED (M6, M7, M8, M9, M11, M12)			
11	0121F00125LG	DOOR, BLOWER, 24.5"-PAINTED (M10)			
21	B1392139	VIEW PORT BUSHING-BLOWER DOOR			
31	0121F00119LG	CONTROL ACCESS DOOR 17.5" (M1, M2, M3, M4, M5)			
31	0121F00120LG	CONTROL ACCESS DOOR 21" (M6, M7, M8, M9, M11, M12)			
31	0121F00121LG	CONTROL ACCESS DOOR 24.5" (M10)			
41	0130F00573	AIR PRESSURE SWITCH (M6, M7)			
41	0130F00574	AIR PRESSURE SWITCH (M1, M2, M10)			
41	0130F00508	DUAL STAGE PRESSURE SWITCH (M11, M12)			
41	0130F00509	DUAL STAGE PRESSURE SWITCH (M3, M4, M5, M8, M9)			
51	B1392147	UNIVERSAL BUSHING WITH SLICE			
71	4014502	J-BOX			
81	4015502	COVER, J-BOX			
111	10690402	INTERLOCK SWITCH			
171	0121F00142DG	TOP 17.5" (M1, M2, M3, M4, M5)			
171	0121F00143DG	TOP 21" (M6, M7, M8, M9, M11, M12)			
171	0121F00463DG	TOP, FURNACE 24.5" (M10)			
211	0130M00140	TRANSFORMER, (120V TO 24V, 40VA,			
221	PCBCM100	PCB, CONTROL			
251	PCBKF107	PCB, CONTROL BOARD			
261	0130M00141	INDUCTOR, 5.9 AMPS (GMPE100-4) (M3, M4, M6, M7, M8, M9, M10, M11, M12)			
271	0121F00218	PANEL, CONTROL MOUNTING			
321	4023500	CHIMNEY TRANSITION TOP			
NS	0161F00006	AMANA NAMEPLATE			
NS	SHARED DATA	Available thru CoolCloud HVAC app.			
NS	0159F00083	CABLE, RJ12			

Expanded Model Nomenclature

M1 - AMVC800603BNAA
M2 - AMVC800603BXAA
M3 - AMVC800604BNAA
M4 - AMVC800604BXAA
M5 - AMVC800803BNAA
M6 - AMVC800804CNAA
M7 - AMVC800804CXAA
M8 - AMVC800805CNAA
M9 - AMVC800805CXAA
M10 - AMVC800805DNAA
M11 - AMVC801005CNAA
M12 - AMVC801005CXAA

Blower Assembly

BLOWER ASSEMBLY STYLE 1



Blower Assembly

Ref. Part No:	Part No:	Description:	Ref. Part No:	Part No:	Description:
Image 1:					
111	0131M00270	MOTOR, 1/2 HP, SERIAL ECM (M1, M2, M5, M6, M7)			
111	0131M00271	MOTOR, 3/4 HP, SERIAL ECM (M3, M4, M8, M9, M10, M11, M12)			
121	0259F00024	WIRE HARNESS-BLOWER (M6, M7, M10)			
131	0130F00038	LIMIT, PRIMARY 120 LT BLUE			
141	0121M00038	MOTOR MOUNT BAND (M1, M2, M3, M4, M5)			
141	0121M00039	MOTOR MOUNT BAND (HEAVY DUTY) (M6, M7, M8, M9, M10, M11, M12)			
151	B1376853	MOTOR MOUNT ARM (M1, M2, M3, M4, M5)			
151	B1376863	MOTOR MOUNT ARM (HEAVY DUTY) (M6, M7, M8, M9, M10, M11, M12)			
161	0259F00049	HARNESS-POWER			
171	0271F00303	BLOWER SHELL & WHEEL (M6, M7, M10)			
181	B1392918	WASHER, FLAT 1/4 ID X 1 OD (QTY 3)			
191	0163M00320	HEX HEAD ALL THREAD TAP BOLT			
211	M0250565	SCREW-TC 1.25" (QTY 3)			
221	B1368047	BLOWER WHEEL (10 X 10) (M8, M9, M11, M12)			
221	0150M00043	WHEEL, BLOWER (10X8) (M1, M2, M5)			
221	B1368016	WHEEL, BLOWER, 10X8 (M3, M4)			
231	B1393800	LOCKNUT, NYLON INSERT 1/4 20			
241	0259M00008	WIRE HARNESS			
261	0271F00111	BLOWER SHELL ASSY (M1, M2, M3, M4, M5)			
261	0271F00112	BLOWER SHELL ASSY (M8, M9, M11, M12)			
271	764741	BLWR BLK-OFF ,10X10 (M8, M9, M11, M12)			
271	764740	BLWR BLK-OFF ,10X8 (M1, M2, M3, M4, M5)			

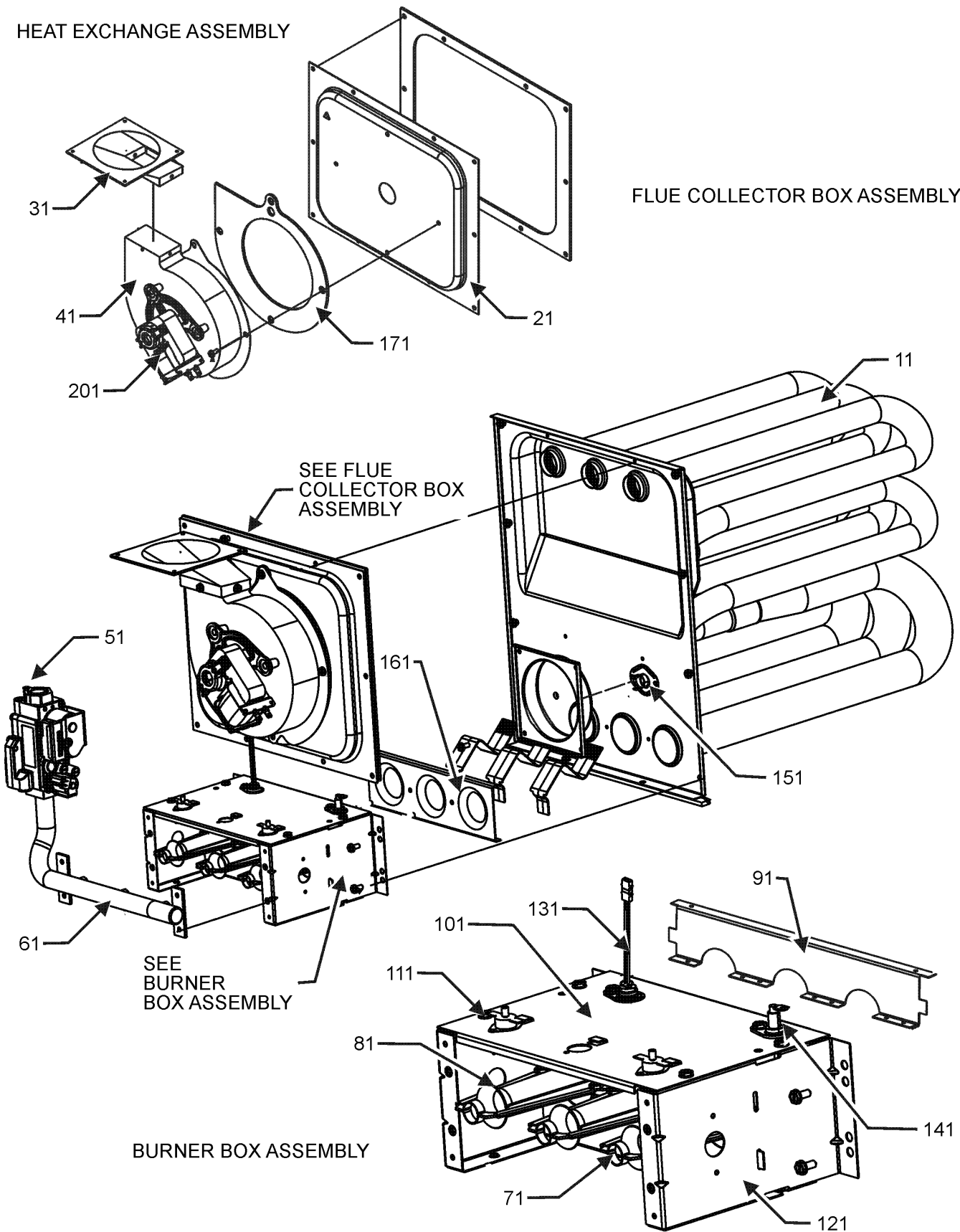
Expanded Model Nomenclature

M1 - AMVC800603BNAA
M2 - AMVC800603BXAA
M3 - AMVC800604BNAA
M4 - AMVC800604BXAA
M5 - AMVC800803BNAA
M6 - AMVC800804CNAA
M7 - AMVC800804CXAA
M8 - AMVC800805CNAA
M9 - AMVC800805CXAA
M10 - AMVC800805DNAA
M11 - AMVC801005CNAA
M12 - AMVC801005CXAA

Heat Exchange Assembly

HEAT EXCHANGE ASSEMBLY

FLUE COLLECTOR BOX ASSEMBLY



Heat Exchange Assembly

Ref. Part No:	Ref. Part No:	Description:	Description:
Image 1:		Expanded Model Nomenclature	
11	0270F00933	HEAT EXCHANGER ASSY (M1, M2, M3, M4)	M1 - AMVC800603BNAA
11	0270F00934	HEAT EXCHANGER ASSY (M5)	M2 - AMVC800603BXAA
11	0270F00935	HEAT EXCHANGER ASSY (M6, M7, M8, M9)	M3 - AMVC800604BNAA
11	0270F00936	HEAT EXCHANGER ASSY (M11, M12)	M4 - AMVC800604BXAA
11	0270F03017	HEAT EXCHANGER ASSY (M10)	M5 - AMVC800803BNAA
21	0121F00328	17.5" COLLECTOR BOX 1.250" DIA (M1, M2)	M6 - AMVC800804CNAA
21	0121F00332	17.5" COLLECTOR BOX 1.375" DIA (M3, M4)	M7 - AMVC800804CXAA
21	0121F00334	21" COLLECTOR BOX 1.625" DIA (M10)	M8 - AMVC800805CNAA
21	0121F00333	21" COLLECTOR BOX 1.75" DIA (M11, M12)	M9 - AMVC800805CXAA
21	0121F00336	21" FLUE COLLECTOR BOX 1.50" (M8, M9)	M10 - AMVC800805DNAA
21	0121F00655	COLLECTOR BOX 17.5" 1.437 DIA (M5)	M11 - AMVC801005CNAA
21	0121F00659	COLLECTOR BOX 21" 1.40 DIA (M6, M7)	M12 - AMVC801005CXAA
31	0128F00006	TRANSITION, BOTTOM	
41	0131M00781P	MOTOR, VENT 2-STAGE	
51	0151M00027	GAS VALVE	
61	0120F00007	MANIFOLD (M1, M2, M3, M4)	
61	0120F00008	MANIFOLD (M5, M6, M7, M8, M9, M10)	
61	0120F00009	MANIFOLD (M11, M12)	
71	10716005	ORIFICE (QTY 3)	
81	B4022700	INSHOT BURNER ASSY 3" (QTY 3)	
91	0121F00168	BURNER RACK, 3 CELL (M1, M2, M3, M4)	
91	0121F00169	BURNER RACK, 4 CELL (M5, M6, M7, M8, M9)	
91	0121F00170	BURNER RACK, 5 CELL (M11, M12)	
101	0121F00163	TOP, BURNER BOX 3 CELL (M1, M2, M3, M4)	
101	0121F00164	TOP, BURNER BOX 4 CELL (M5, M6, M7, M8, M9, M10)	
101	0121F00165	TOP, BURNER BOX 5 CELL (M11, M12)	
111	10123529	MANUAL RESET R.O.S. LIMIT (QTY 2)	
121	0121F00146	BURNER BOX SIDE (QTY 2)	
131	0130F00008	SINI IGNITOR	
141	0130F00010	FLAME SENSOR	
151	20162904	*PRIMARY LIMIT-TEMPERATURE CONTROL (M5, M6, M7, M10)	
151	0130M00063	LIMIT, PRIMARY, 140, GOLD (M3, M4, M8, M9)	
151	20162903	LIMIT-BLUE (M1, M2)	
151	20162905	LIMIT-YELLOW (M11, M12)	
161	4028001	ORIFICE PLATE, 3CELL (M1, M2, M3, M4)	
161	4028002	ORIFICE PLATE, 4CELL (M5, M6, M7, M8, M9, M10)	
161	4028003	ORIFICE PLATE, 5CELL (M11, M12)	
171	0154F00004	VENT MOTOR GASKET 17.5" (M1, M2, M3, M4, M5)	
171	0154F00005	VENT MOTOR GASKET 21" (M6, M7, M8, M9, M10, M11, M12)	
201	DY6.186.070	VENT MOTOR CAPACITOR	
NS	0259F00062	INDUCER HARNESS ASSY	
NS	0259F00063	WIRE HARNESS ASSY	
NS	0259F00260	WIRE HARNESS ASSY	
NS	0259F00261	WIRE HARNESS ASSY	
NS	0259F00262	WIRE HARNESS ASSY	