

## AVPTC Communicating Air Handler

AVPTC25B14BA  
AVPTC29B14BA  
AVPTC31C14BA  
AVPTC33C14BA  
AVPTC35B14BA  
AVPTC37B14BA  
AVPTC37C14BA  
AVPTC37D14BA  
AVPTC39C14BA  
AVPTC49C14BA  
AVPTC49D14BA  
AVPTC59C14BA  
AVPTC59D14BA  
AVPTC61D14BA



Amana® is a registered trademark of Maytag Corporation or its related companies and is used under license. All rights reserved.

This manual is to be used by qualified technicians only.

# Important Information

---

## Index

Functional Parts List .....	3
Illustration and Parts .....	4 - 9

*Views shown are for parts illustrations only, not servicing procedures*

### Text Codes:

AR - As Required

NA - Not Available

NS - Not Shown

00000000 - See Note

QTY - Quantity Example (QTY 3) (If Quantity not shown, Quantity = 1)

M - Model Example (M1) (If M Code not shown, then part is used on all Models)

### Expanded Model Nomenclature:

Example M1 - Model#1 M2 - Model#2 M3 - Model#3
---

Goodman Company, L.P. is not responsible for personal injury or property damage resulting from improper service. Review all service information before beginning repairs.

Warranty service must be performed by an authorized technician, using authorized factory parts. If service is required after the warranty expires, Goodman Company, L.P. also recommends contacting an authorized technician and using authorized factory parts.

Goodman Company, L.P. reserves the right to discontinue, or change at any time, specifications or designs without notice or without incurring obligations.

For assistance within the U.S.A. contact:

Homeowner Support  
Goodman Company, L.P.  
19001 Kermier Road  
Waller, Texas 77484  
877-254-4729-Telephone  
713-863-2382-Facsimile

For assistance outside the U.S.A. contact:

International Division  
Goodman Company, L.P.  
19001 Kermier Road  
Waller, Texas 77484  
713-861-2500-Telephone  
713-863-2382-Facsimile

# Functional Parts

## Part

## No: Description:

---

0131M00272 MOTOR, 1 HP, SERIAL ECM (M12, M13, M14)  
0131M00270 MOTOR, 1/2 HP, SERIAL ECM (M1, M4, M5)  
0131M00271 MOTOR, 3/4 HP, SERIAL ECM (M2, M3, M6,  
M7, M8, M9, M10, M11)  
PCBJA105 PCB, CONTROL, AIR HANDLER

0130M00330 TRANSFORMER, 208/230, 24V (QTY 2)  
0151R00130 VALVE, TXV R-410A (M1, M2, M3)  
0151R00133 VALVE, TXV R-410A (M12, M13, M14) VALVE,  
0151R00131 TXV R-410A (M6, M7, M8, M11) VALVE, TXV  
0151M00067 R-410A BOOSTER CHG (M10) VALVE, TXV  
0151M00066 R-410A BOOSTER CHG (M5, M9) VALVE, TXV  
0151M00065 R-410A BOOSTER CHG (M4)  
NOT REQUIRED PCB, Shared Data Chip NA. Shared data only  
available thru CoolCloud HVAC app.

### SPECIAL PARTS

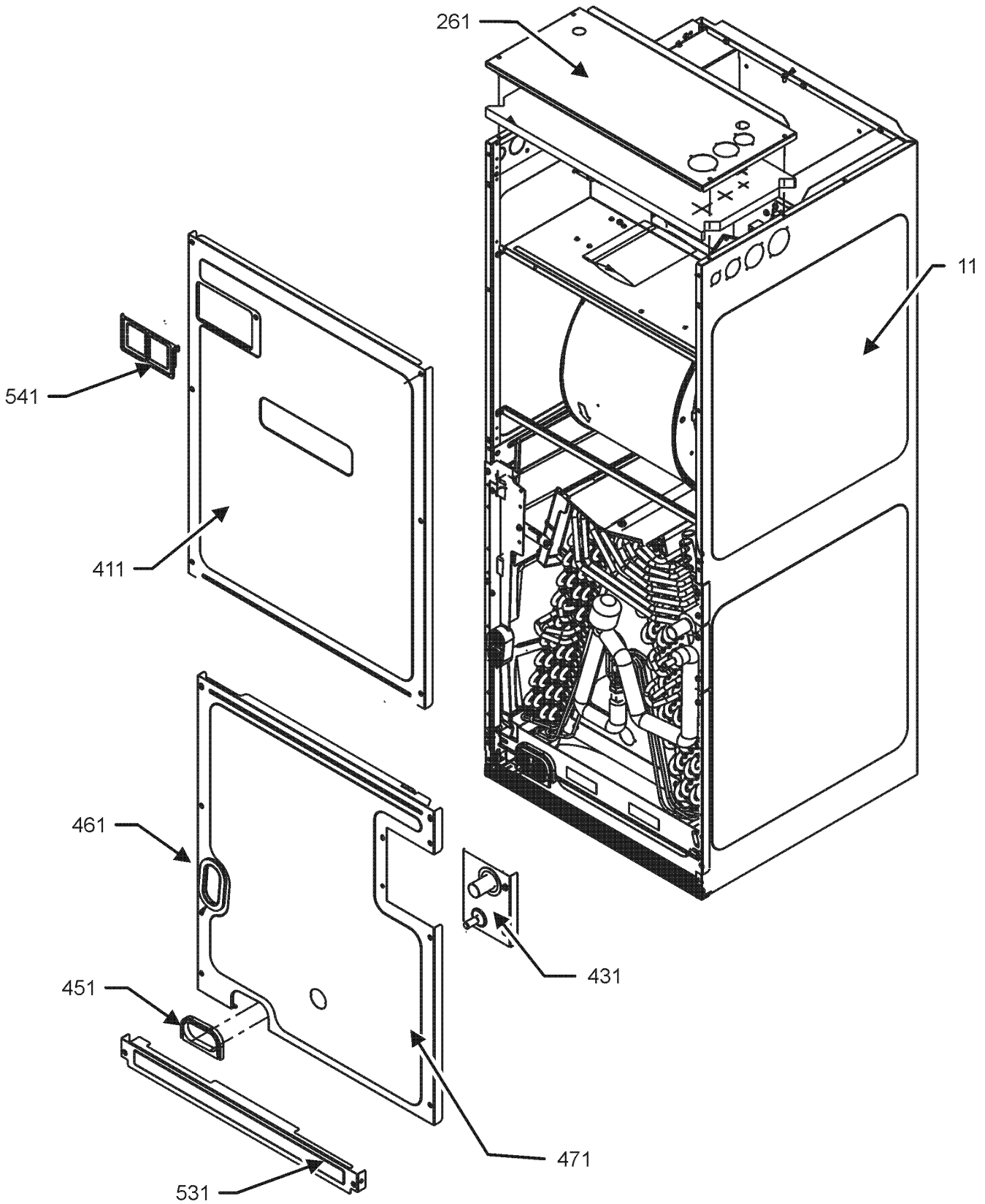
PKCG-4001V PISTON KIT CHART

### Expanded Model Nomenclature

M1 - AVPTC25B14BA
M2 - AVPTC29B14BA
M3 - AVPTC31C14BA
M4 - AVPTC33C14BA
M5 - AVPTC35B14BA
M6 - AVPTC37B14BA
M7 - AVPTC37C14BA
M8 - AVPTC37D14BA
M9 - AVPTC39C14BA
M10 - AVPTC49C14BA
M11 - AVPTC49D14BA
M12 - AVPTC59C14BA
M13 - AVPTC59D14BA
M14 - AVPTC61D14BA

# WRAPPER ASSEMBLY

## WRAPPER ASSEMBLY



# WRAPPER ASSEMBLY

Ref. Part No:	Part No:	Description:	Ref. Part No:	Part No:	Description:
---------------	----------	--------------	---------------	----------	--------------

**Image 1:**

11	0121A00455PDG	WRAPPER (M8, M13)
11	0121A00456PDG	WRAPPER (M3, M7, M12)
11	0121A00458PDG	WRAPPER (M2, M6)
11	0121A00276PDG	WRAPPER, LARGE, PAINTED (M11, M14)
11	0121A00280PDG	WRAPPER, MED, PAINTED (M4, M9, M10)
11	0121A00281PDG	WRAPPER, SM, PAINTED (M1, M5)
261	0121A00373PDG	Plate, Upper Tie (M1, M2, M5, M6)
261	0121A00374PDG	Plate, Upper Tie (M3, M4, M7, M9, M10, M12)
261	0121A00375PDG	Plate, Upper Tie (M8, M11, M13, M14)
411	0121A00838PDG	PANEL, UPPER ACCESS (M1, M2, M5, M6)
411	0121A00836PDG	PANEL, UPPER ACCESS (M8, M11, M13, M14)
411	0121A00837PDG	PANEL, UPPER ACCESS (M3, M4, M7, M9, M10, M12)
431	0121A00658PDG	Panel, Refrigerant Tubing
451	0154A00006BL	GASKET, DRAIN PAN
461	0154A00007BL	GASKET, DRAIN PAN
471	0121A00460PDG	LOWER ACCESS PANEL (M8, M13)
471	0121A00461PDG	LOWER ACCESS PANEL (M3, M7, M12)
471	0121A00463PDG	LOWER ACCESS PANEL (M2, M6)
471	0121A00618PDG	LOWER ACCESS PANEL (M11, M14)
471	0121A00620PDG	LOWER ACCESS PANEL (M1, M5)
471	0121A00619PDG	LOWER ACCESS PANEL, PAINTED (M4, M9, M10)
531	0121A00242PDG	Panel, Filter Access (M1, M2, M5, M6)
531	0121A00243PDG	Panel, Filter Access (M3, M4, M7, M9, M10, M12)
531	0121A00244PDG	Panel, Filter Access (M8, M11, M13, M14)
541	0161A00073	CIRCUIT BREAKER COVER
NS	0164A00002	GROMMET
NS	PKCG-4001V	PISTON KIT CHART
NS	0163M00036	SCREW,#10X1/2,B,BZ,SLOT,SR,BLK (QTY 4)
NS	0163A00026	THUMB SCREW (QTY 2)
NS	BT1392909	WASHER; SS RETAINING (QTY 2)

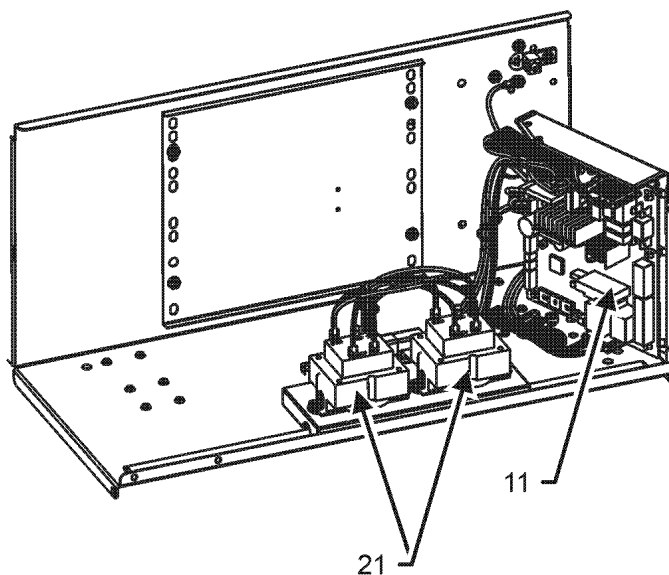
**Expanded Model Nomenclature**

- M1 - AVPTC25B14BA
- M2 - AVPTC29B14BA
- M3 - AVPTC31C14BA
- M4 - AVPTC33C14BA
- M5 - AVPTC35B14BA
- M6 - AVPTC37B14BA
- M7 - AVPTC37C14BA
- M8 - AVPTC37D14BA
- M9 - AVPTC39C14BA
- M10 - AVPTC49C14BA
- M11 - AVPTC49D14BA
- M12 - AVPTC59C14BA
- M13 - AVPTC59D14BA
- M14 - AVPTC61D14BA

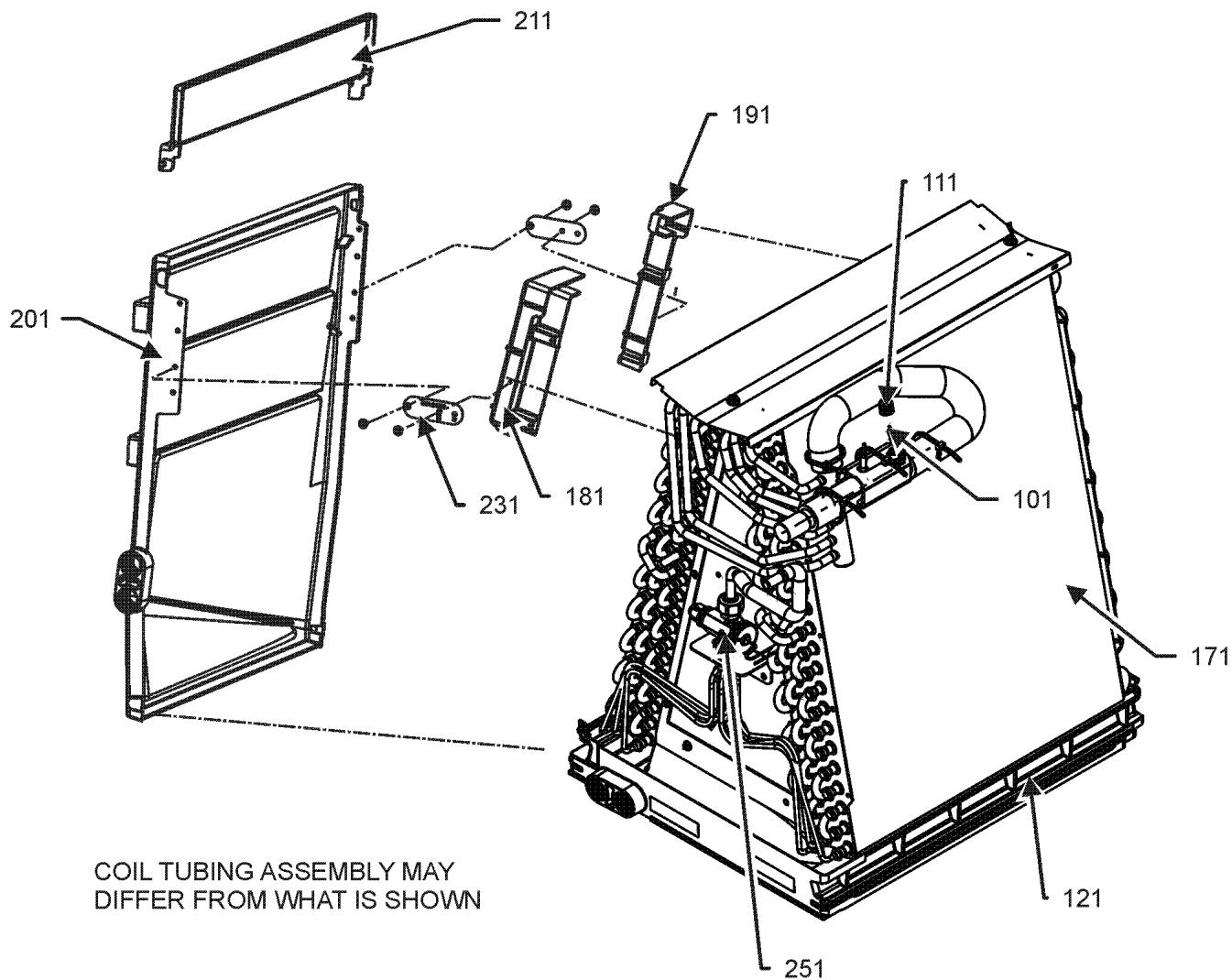
# CONTROL BOX & COIL ASSEMBLY

## CONTROL PANEL ASSEMBLY

NOTE: CONTROL PANEL ASSEMBLY MAY DIFFER FROM WHAT IS SHOWN



## COIL TUBING ASSEMBLY



COIL TUBING ASSEMBLY MAY DIFFER FROM WHAT IS SHOWN

# CONTROL BOX & COIL ASSEMBLY

Ref. Part No:	Description:	Ref. Part No:	Description:
<b>Image 1:</b>		<b>Expanded Model Nomenclature</b>	
11	PCBJA105 PCB, CONTROL, AIR HANDLER	M1	AVPTC25B14BA
21	0130M00330 TRANSFORMER, 208/230, 24V (QTY 2)	M2	AVPTC29B14BA
101	0163M00175 CAP WITH O-RING	M3	AVPTC31C14BA
111	B1787000 VALVE CORE	M4	AVPTC33C14BA
121	0161A00049 DRAINPAN, VERTICAL (M1, M2, M5, M6)	M5	AVPTC35B14BA
121	0161A00051 DRAINPAN, VERTICAL (M8, M11, M13, M14)	M6	AVPTC37B14BA
121	0161A00052 DRAINPAN, VERTICAL (M3, M4, M7, M9, M10, M12)	M7	AVPTC37C14BA
171	0270A00854 COIL TUBING ASSEMBLY (M2)	M8	AVPTC37D14BA
171	0270A00855 COIL TUBING ASSEMBLY (M7)	M9	AVPTC39C14BA
171	0270A00857 COIL TUBING ASSEMBLY (M8)	M10	AVPTC49C14BA
171	0270A00903 COIL TUBING ASSEMBLY (M1)	M11	AVPTC49D14BA
171	0270A00906 COIL TUBING ASSEMBLY (M9)	M12	AVPTC59C14BA
171	0270A01030 COIL TUBING ASSEMBLY (M6)	M13	AVPTC59D14BA
171	0270A01032 COIL TUBING ASSEMBLY (M12)	M14	AVPTC61D14BA
171	0270A01034 COIL TUBING ASSEMBLY (M14)		
171	0270A01081 COIL TUBING ASSEMBLY (M3)		
171	0270A01085 COIL TUBING ASSEMBLY (M13)		
171	0270A01086 COIL TUBING ASSEMBLY (M11)		
171	0270A01097 COIL TUBING ASSEMBLY (M10)		
171	0270A01194 COIL TUBING ASSEMBLY (M4)		
171	0270A01331 COIL TUBING ASSEMBLY (M5)		
181	0161A00060 CONDENSATE, COLLECT, FRONT		
191	0161A00061 CONDENSATE, COLLECT, BACK		
201	0161A00055 DRAIN PAN HORIZONTAL, SMALL (M1, M4, M5, M9, M10)		
201	0161A00053 DRAIN PAN HORIZONTAL, TALL (M2, M3, M6, M7, M8, M11, M12, M13, M14)		
211	0161A00054 DRAIN PAN, EXTENSION, SMALL (M1, M2, M3, M5, M6, M7, M8, M12, M13)		
211	0161A00056 DRAIN PAN, EXTENSION, TALL (M4, M9, M10, M11, M14)		
231	0121A00633 BRACKET, DRIP SHIELD (M1, M2, M3, M5, M6, M7, M10, M12)		
231	0121A00634 BRACKET, DRIP SHIELD (M4, M8, M9, M11, M13, M14)		
251	0151R00130 VALVE, TXV R-410A (M1, M2, M3)		
251	0151R00131 VALVE, TXV R-410A (M6, M7, M8, M11)		
251	0151R00133 VALVE, TXV R-410A (M12, M13, M14)		
251	0151M00065 VALVE, TXV R-410A BOOSTER CHG (M4)		
251	0151M00066 VALVE, TXV R-410A BOOSTER CHG (M5, M9)		
251	0151M00067 VALVE, TXV R-410A BOOSTER CHG (M10)		
NS	BT1369063 90 DEGREE STUB		
NS	0259A00021 WIRE ASSY, 9 PIN FEMALE CONN		
NS	0259A00033P WIRE ASSY, 9 PIN FEMALE CONN		
NS	0259A00031P WIRE HARNESS, CONNECTOR		
NS	NOT REQUIRED PCB, Shared Data Chip NA. Shared data only available thru CoolCloud HVAC app.		

# BLOWER ASSEMBLY

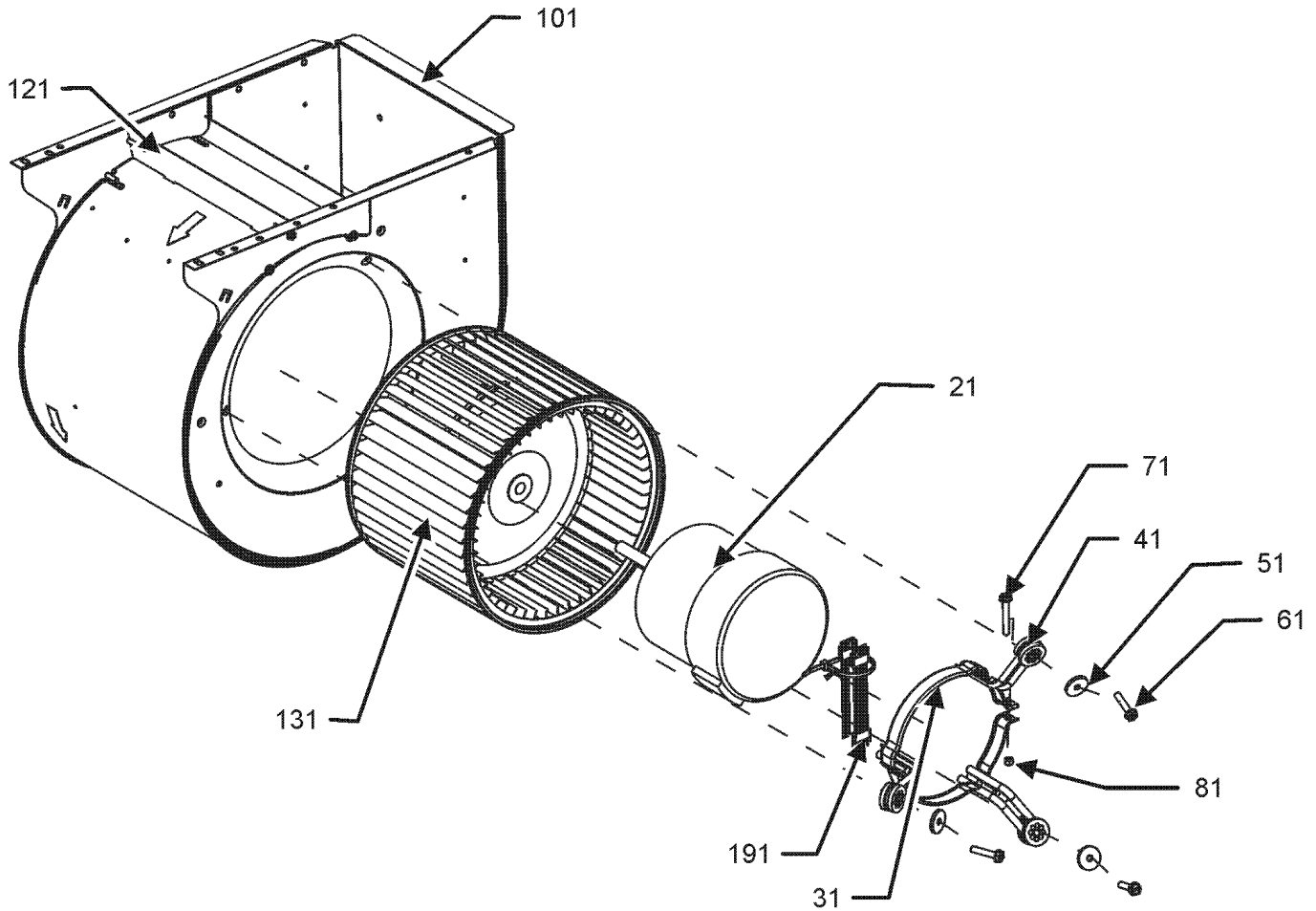
## BLOWER ASSEMBLY

\*If end bells are needed please order the following:

0131M00182 - 1/2 HP

0131M00183 - 3/4 HP

0131M00184 - 1 HP





# BLOWER ASSEMBLY

Ref. Part No:	No:	Description:	Ref. Part No:	No:	Description:
<i>Image 1:</i>			<b>Expanded Model Nomenclature</b>		
21	0131M00272	MOTOR, 1 HP, SERIAL ECM (M12, M13, M14)	M1	-	AVPTC25B14BA
21	0131M00270	MOTOR, 1/2 HP, SERIAL ECM (M1, M4, M5)	M2	-	AVPTC29B14BA
21	0131M00271	MOTOR, 3/4 HP, SERIAL ECM (M2, M3, M6, M7, M8, M9, M10, M11)	M3	-	AVPTC31C14BA
31	0121M00038	MOTOR MOUNT BAND (M1, M2, M3, M4, M5, M6, M7, M9, M10)	M4	-	AVPTC33C14BA
31	0121M00039	MOTOR MOUNT BAND (HEAVY DUTY) (M8, M11, M12, M13, M14)	M5	-	AVPTC35B14BA
41	B1376853	MOTOR MOUNT ARM (M3, M4, M7, M9, M10)	M6	-	AVPTC37B14BA
41	B1376861	MOTOR MOUNT ARM (M1, M2, M5, M6)	M7	-	AVPTC37C14BA
41	B1376863	MOTOR MOUNT ARM (HEAVY DUTY) (M8, M11, M12, M13, M14)	M8	-	AVPTC37D14BA
51	B1392918	WASHER, FLAT 1/4 ID X 1 OD (QTY 3)	M9	-	AVPTC39C14BA
61	M0250565	TC SCREW 1.25" (QTY 3)	M10	-	AVPTC49C14BA
71	0163M00320	HEX HED ALL THREAD TAP BOLT	M11	-	AVPTC49D14BA
81	B1393800	LOCKNUT, NYLON, INSERT 1/4,20	M12	-	AVPTC59C14BA
101	0271A00016	BLOWER HOUSING ASSY 10 X 10 (M8, M11)	M13	-	AVPTC59D14BA
101	0271A00029	BLOWER HOUSING ASSY 10 X 8 (M3, M4, M7, M9, M10, M12)	M14	-	AVPTC61D14BA
101	0271A00206	BLOWER SHELL ASSY (M13, M14)			
101	0271A00299	BLOWER SHELL ASSY 9X6,MORRISON (M1, M2, M5, M6)			
121	764741	BLOWER BLOCK-OFF 10 X 10 (M8, M11) BLOWER			
121	764740	BLOCK-OFF 10 X 8 (M3, M4, M7, M9, M10, M12)			
131	D6723306	BLOWER WHEEL (M8, M11)			
131	B1368016	BLOWER WHEEL 10 X 8 (M12)			
131	B1368058	BLOWER WHEEL 10 X 8 (M3, M4, M7, M9, M10)			
191	0259M00008	WIRE HARNESS			
NS	B1393530	SCREW HWH,10 X 1/2, A, YZD, SLOT, SR (QTY 3)			