

Accessory Parts

3PMKP1
3PMKP2
CONVOUTNP090150
CONVOUTP0901502
CONVOUTP0901504
CONVOUTP0901507
DSC060B58YH01FI
DSC100B58YH01FI
DSC150B58YH01FI
DSC250B58YH01FI
HAILGD090120HE
HAILGD150HE
HAKT036150
HECH90150230
HECH90150460
HECH90150575
HGDRMD01FI
HGDRMD02FI
HGDRMDG01FI
HGDRMDG02FI
LPHE-090150
SDCKTP1FIM10
SDCKTP1FIM12
SDRKTP1FIM10
SDRKTP1FIM12
SDSKTP1FIM12
TTBCKHE02

ACCESSORY PARTS LIST

RP-FIOPMC



This manual is to be used by qualified technicians only.

This manual replaces RP-FIOPMC
released in March 2021.

Important Information

Index

Functional Parts List	3
Illustration and Parts	4 - 21

Views shown are for parts illustrations only, not servicing procedures.

4-5-22: REMOVED NOMENCLATURE PAGE PER REQUEST FROM ~~ÖSCA~~ ~~MARKETING~~ ~~ÖÜUWJ~~

Text Codes:

AR - As Required

NA - Not Available

NS - Not Shown

00000000 - See Note

QTY - Quantity Example (QTY 3) (If Quantity not shown, Quantity = 1)

M - Model Example (M1) (If M Code not shown, then part is used on all Models)

Expanded Model Nomenclature:

Example M1 - Model#1 M2 - Model#2 M3 - Model#3

Daikin Company, L.P. is not responsible for personal injury or property damage resulting from improper service. Review all service information before beginning repairs.

Warranty service must be performed by an authorized technician, using authorized factory parts. If service is required after the warranty expires, Daikin Company, L.P. also recommends contacting an authorized technician and using authorized factory parts.

Daikin Company, L.P. reserves the right to discontinue, or change at any time, specifications or designs without notice or without incurring obligations.

For assistance within the U.S.A. contact:

Equipment Support
Daikin North America, LLC
19001 Kermier Road
Waller, Texas 77484
855-770-5678-Telephone
713-863-2382-Facsimile

For assistance outside the U.S.A. contact:

International Division
Daikin North America, LLC
19001 Kermier Road
Waller, Texas 77484
713-861-2500-Telephone
713-863-2382-Facsimile

Functional Parts

Part No: **Description:**

0130M00249	AUXILLARY SWITCH (M12, M13, M14)
0130L00165	CLASS CC FUSE 10A (M2)
0130L00164	CLASS CC FUSE 5A (M3, M4)
0163L00173	CRANKCASE HEATER (M14)
0163R00004	HEATER CRANKCASE, 460V, 40W (M13)
0163R00003	HEATER, CRANKCASE 230V 40W (M12)
0130L00105	PHASE MONITOR (M26, M27)
D4120	SMOKE DETECTOR, PHOTO 4WIRE (M20, M21, M22, M23, M24)
D4S	SMOKE DETECTOR, SENSOR ONLY (M20, M21)
0130L00027	SWITCH-DISCONNECT 100A (M6)
0130L00028	SWITCH-DISCONNECT 150A (M7)
0130L00030	SWITCH-DISCONNECT 250A (M8)
0130L00046	SWITCH-DISCONNECT 60A (M5)
0130M00667	TRANSFORMER (M2, M3)
0130M00669	TRANSFORMER (M4)

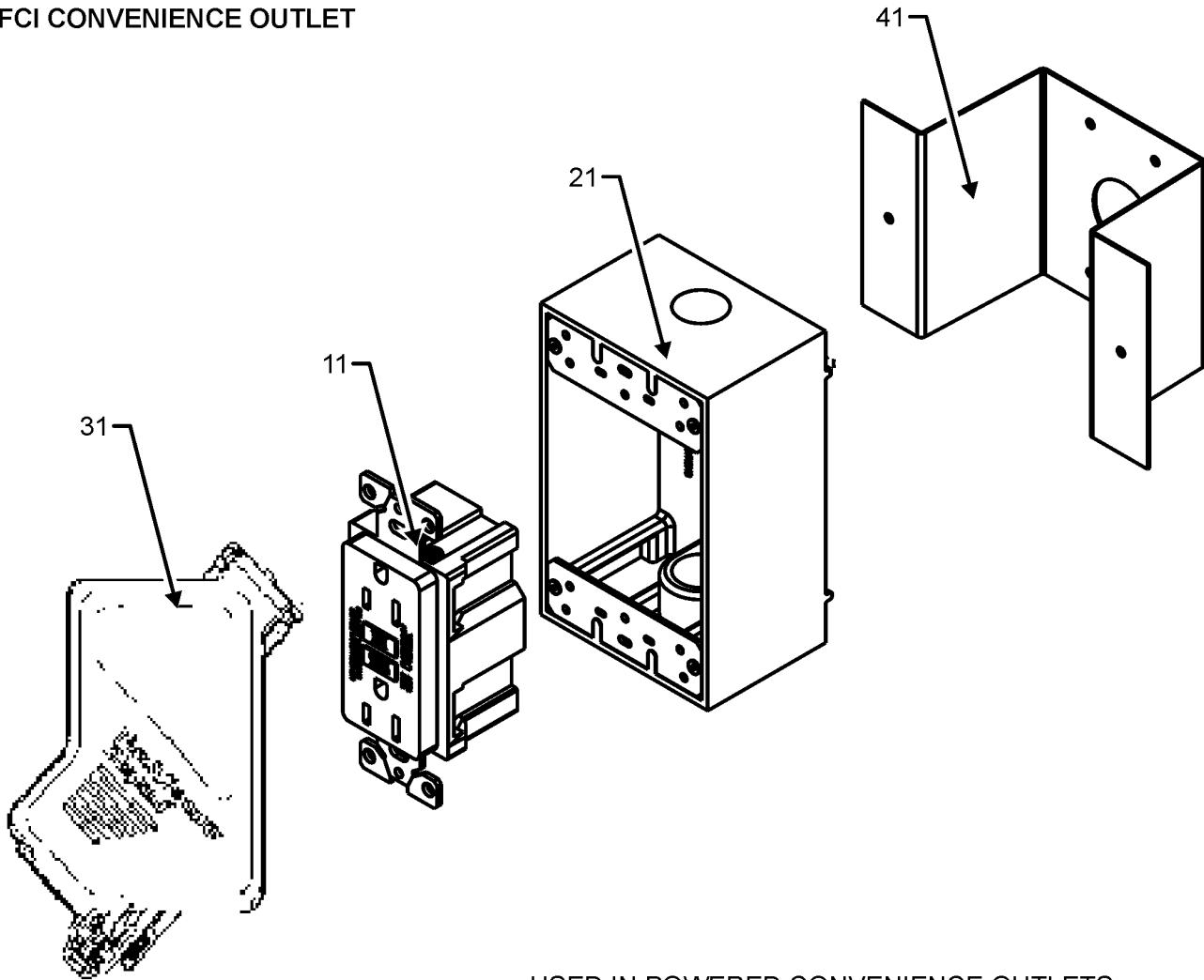
SPECIAL PARTS

IOD-7083C	INSTALLATION INSTRUCTIONS (M9, M10)
IOD-7027	INSTALLATION INSTRUCTIONS (M1, M2, M3, M4)
IOD-7118	INSTALLATION INSTRUCTIONS (M25)
IOD-7073	INSTALLATION INSTRUCTIONS (M26)
IOD-7115	INSTALLATION INSTRUCTIONS (M27)
IOD-7104	INSTALLATION INSTRUCTIONS (M12, M13, M14)
IOD-7089B	INSTALLATION INSTRUCTIONS (HIGH ALT) (M11)
IOD-7088	INSTALLATION INSTRUCTIONS (LP CONV) (M19)
IOD-7002	INSTRUCTION, INST & OPER (M5, M6, M7, M8)

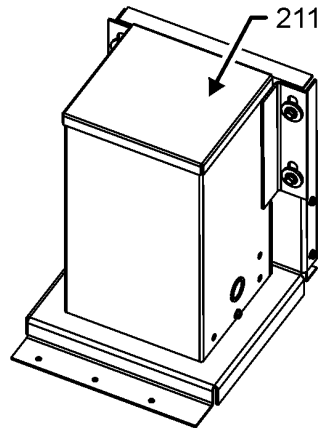
Expanded Model Nomenclature

M1 - CONVOUTNP090150
M2 - CONVOUTP0901502
M3 - CONVOUTP0901504
M4 - CONVOUTP0901507
M5 - DSC060B58YH01FI
M6 - DSC100B58YH01FI
M7 - DSC150B58YH01FI
M8 - DSC250B58YH01FI
M9 - HAILGD090120HE
M10 - HAILGD150HE
M11 - HAKT036150
M12 - HECH90150230
M13 - HECH90150460
M14 - HECH90150575
M15 - HGDRMDG01FI
M16 - HGDRMDG02FI
M17 - HGDRMD01FI
M18 - HGDRMD02FI
M19 - LPHE-090150
M20 - SDCKTP1FIM10
M21 - SDCKTP1FIM12
M22 - SDRKTP1FIM10
M23 - SDRKTP1FIM12
M24 - SDSKTP1FIM12
M25 - TTBCKHE02
M26 - 3PMKP1
M27 - 3PMKP2

GFCI CONVENIENCE OUTLET



USED IN POWERED CONVENIENCE OUTLETS



GFCI ASSEMBLY MAY DIFFER FROM WHAT IS SHOWN

Ref. Part No:	Part No:	Description:	Ref. Part No:	Part No:	Description:
---------------	----------	--------------	---------------	----------	--------------

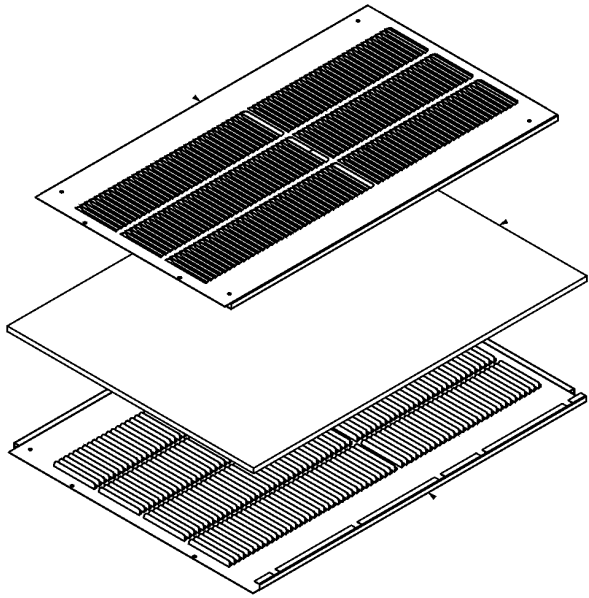
Image 1:

11	0130L00103	RECEPTACLE-GFCI OUTLET (M1, M2, M3, M4)
21	0130L00012	GANG BOX-GFCI OUTLET (M1, M2, M3, M4)
31	0161G00012	POWER OUTLET BOX (M1, M2, M3, M4)
41	0121L00316	BRACKET-CONV OUTLET MOUNT (M1, M2, M3, M4)
211	0130M00667	TRANSFORMER (M2, M3)
211	0130M00669	TRANSFORMER (M4)
NS	0130L00165	CLASS CC FUSE 10A (M2)
NS	0130L00164	CLASS CC FUSE 5A (M3, M4)
NS	B1393726	ELECT CONNECTING BUSHING (M2, M3, M4)
NS	0130M00670	FUSE BLOCK CLASS CC (M2, M3, M4)
NS	IOD-7027	INSTALLATION INSTRUCTIONS (M1, M2, M3, M4)

Expanded Model Nomenclature

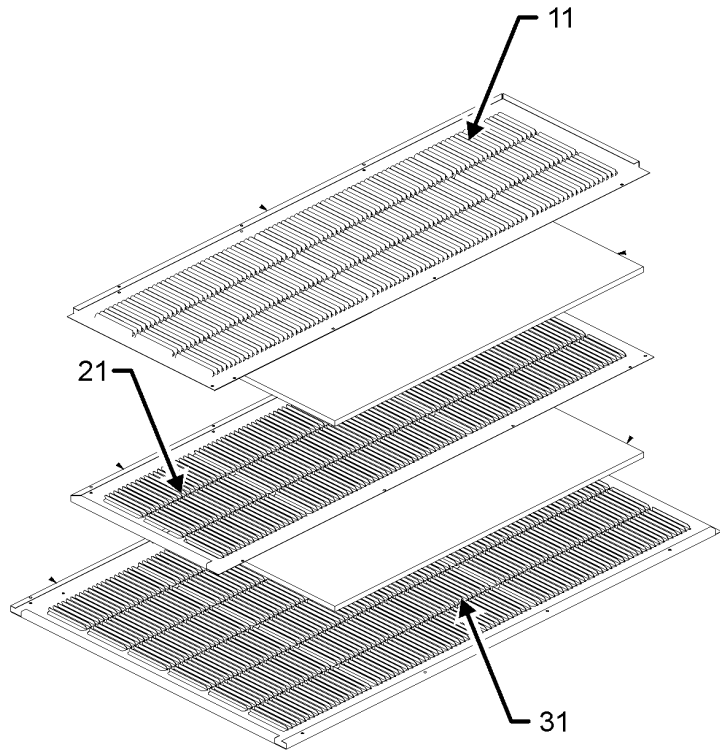
- M1 - CONVOUTNP090150
- M2 - CONVOUTP0901502
- M3 - CONVOUTP0901504
- M4 - CONVOUTP0901507
- M5 - DSC060B58YH01FI
- M6 - DSC100B58YH01FI
- M7 - DSC150B58YH01FI
- M8 - DSC250B58YH01FI
- M9 - HAILGD090120HE
- M10 - HAILGD150HE
- M11 - HAKT036150
- M12 - HECH90150230
- M13 - HECH90150460
- M14 - HECH90150575
- M15 - HGDRMDG01FI
- M16 - HGDRMDG02FI
- M17 - HGDRMD01FI
- M18 - HGDRMD02FI
- M19 - LPHE-090150
- M20 - SDCKTP1FIM10
- M21 - SDCKTP1FIM12
- M22 - SDRKTP1FIM10
- M23 - SDRKTP1FIM12
- M24 - SDSKTP1FIM12
- M25 - TTBACKHE02
- M26 - 3PMKP1
- M27 - 3PMKP2

HAIL GUARDS



SMALL CHASSIS

MEDIUM CHASSIS



HAIL GUARD ASSEMBLY MAY DIFFER FROM WHAT IS SHOWN

Ref. Part No: No:	Description:	Ref. Part No: No:	Description:
-------------------	--------------	-------------------	--------------

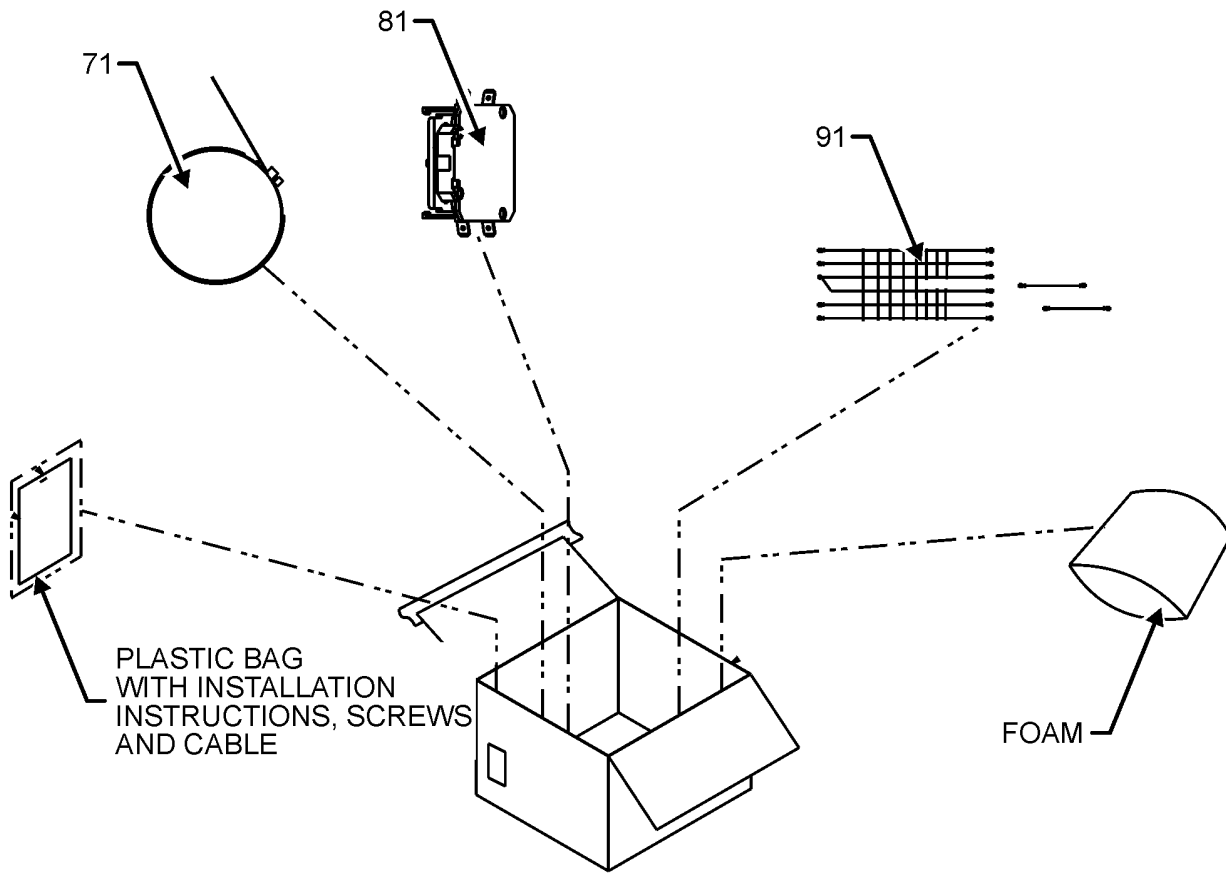
Image 1:

11	0121L04483SB	PAINTED, HAIL GUARD PANEL (M10)	
11	0121L04484SB	PAINTED, HAIL GUARD PANEL (M9)	
21	0121L04482SB	PAINTED, HAIL GUARD PANEL (M10)	
21	0121L04485SB	PAINTED, HAIL GUARD PANEL (M9)	
31	0121L04448SB	PAINTED, HAIL GUARD PANEL (M9)	
31	0121L04481SB	PAINTED, HAIL GUARD PANEL (M10)	
NS	IOD-7083C	INSTALLATION INSTRUCTIONS (M9, M10)	

Expanded Model Nomenclature

- M1 - CONVOUTNP090150
- M2 - CONVOUTP0901502
- M3 - CONVOUTP0901504
- M4 - CONVOUTP0901507
- M5 - DSC060B58YH01FI
- M6 - DSC100B58YH01FI
- M7 - DSC150B58YH01FI
- M8 - DSC250B58YH01FI
- M9 - HAILGD090120HE
- M10 - HAILGD150HE
- M11 - HAKT036150
- M12 - HECH90150230
- M13 - HECH90150460
- M14 - HECH90150575
- M15 - HGDRMDG01FI
- M16 - HGDRMDG02FI
- M17 - HGDRMD01FI
- M18 - HGDRMD02FI
- M19 - LPHE-090150
- M20 - SDCKTP1FIM10
- M21 - SDCKTP1FIM12
- M22 - SDRKTP1FIM10
- M23 - SDRKTP1FIM12
- M24 - SDSKTP1FIM12
- M25 - TTBCKHE02
- M26 - 3PMKP1
- M27 - 3PMKP2

CRANKCASE HEATERS



CRANKCASE HEATER ASSEMBLY MAY DIFFER FROM WHAT IS SHOWN

Ref. Part No: No:	Description:	Ref. Part No: No:	Description:
-------------------	--------------	-------------------	--------------

Image 1:

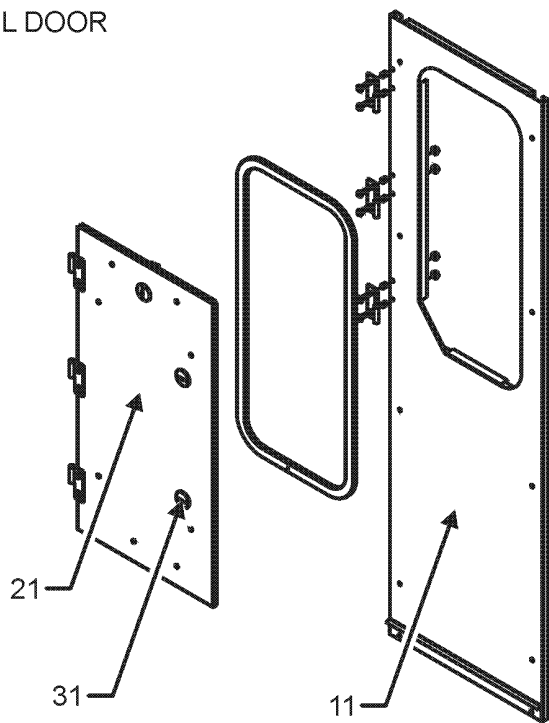
71	0163L00173	CRANKCASE HEATER (M14)
71	0163R00004	HEATER CRANKCASE, 460V, 40W (M13)
71	0163R00003	HEATER, CRANKCASE 230V 40W (M12)
81	0130M00249	AUXILLARY SWITCH (M12, M13, M14)
91	0259L00701	WIRE HARNESS ASSY. (M12, M13, M14)
NS	IOD-7104	INSTALLATION INSTRUCTIONS (M12, M13, M14)

Expanded Model Nomenclature

M1 - CONVOUTNP090150
M2 - CONVOUTP0901502
M3 - CONVOUTP0901504
M4 - CONVOUTP0901507
M5 - DSC060B58YH01FI
M6 - DSC100B58YH01FI
M7 - DSC150B58YH01FI
M8 - DSC250B58YH01FI
M9 - HAILGD090120HE
M10 - HAILGD150HE
M11 - HAKT036150
M12 - HECH90150230
M13 - HECH90150460
M14 - HECH90150575
M15 - HGDRMDG01FI
M16 - HGDRMDG02FI
M17 - HGDRMD01FI
M18 - HGDRMD02FI
M19 - LPHE-090150
M20 - SDCKTP1FIM10
M21 - SDCKTP1FIM12
M22 - SDRKTP1FIM10
M23 - SDRKTP1FIM12
M24 - SDSKTP1FIM12
M25 - TTBCKHE02
M26 - 3PMKP1
M27 - 3PMKP2

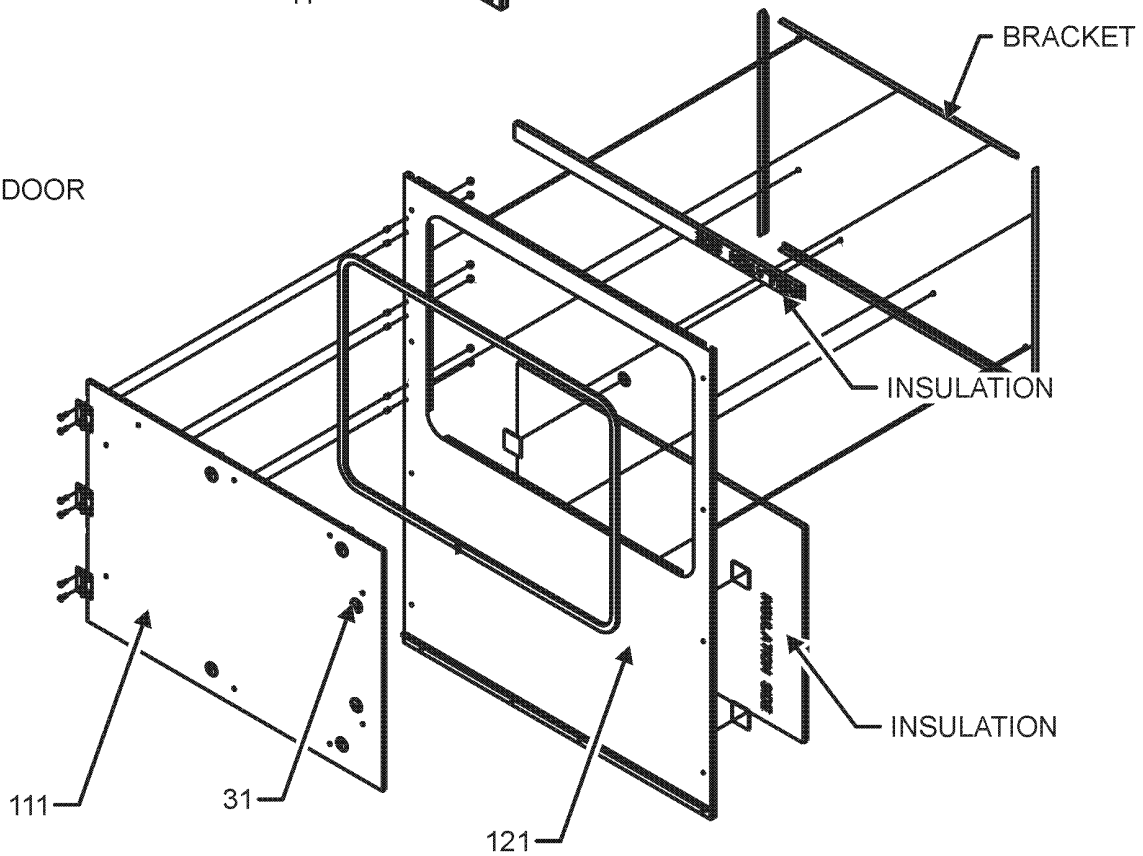
HINGE DOOR ASSEMBLIES

CONTROL DOOR



NOTE: SOME OF THE PANEL ASSEMBLIES INCLUDE THE DOOR ASSEMBLY AND SOME DO NOT

BLOWER DOOR



HINGED DOOR ASSEMBLY MAY DIFFER FROM WHAT IS SHOWN

Ref. Part No:	Part No:	Description:	Ref. Part No:	Part No:	Description:
---------------	----------	--------------	---------------	----------	--------------

Image 1:

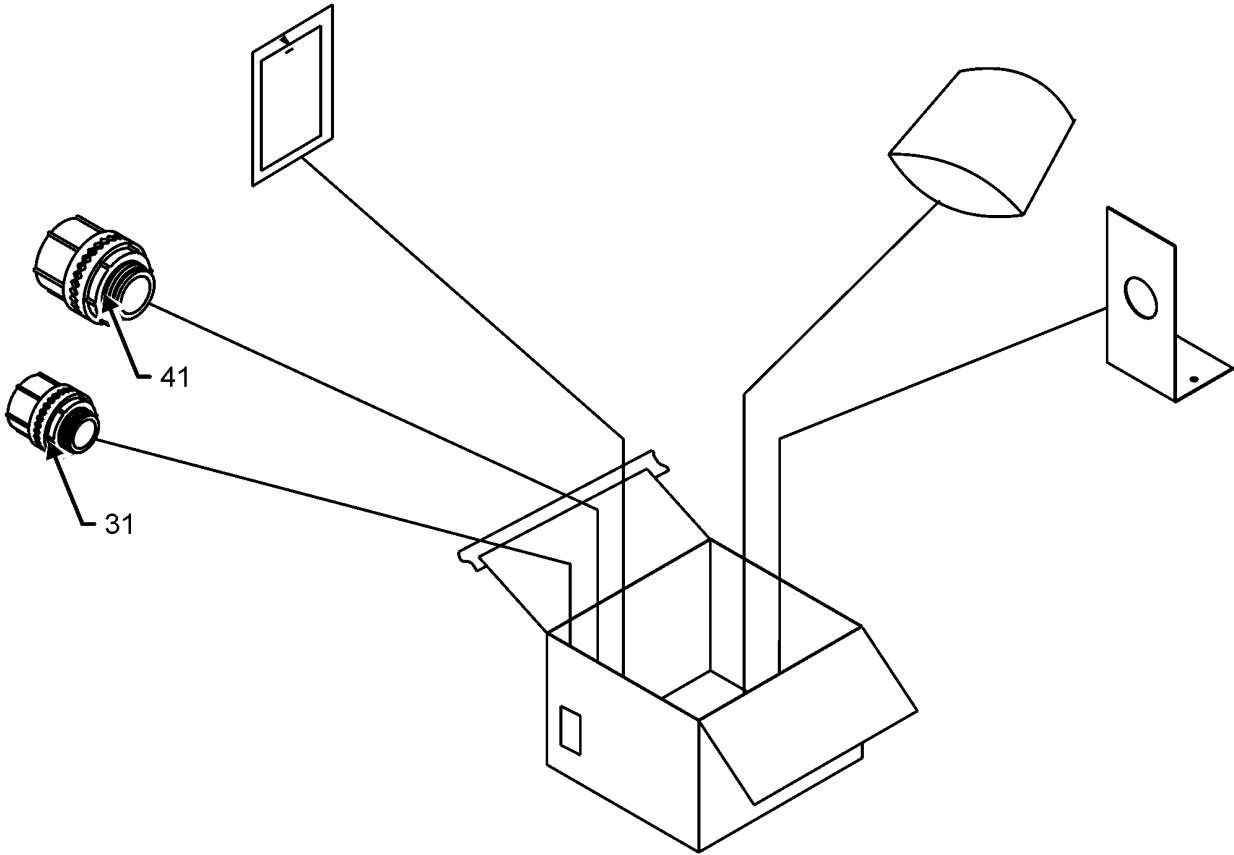
11	0270L02077	ASSY, CONTROL BOX PANEL (M15, M17)
11	0270L02090	ASSY, CONTROL BOX PANEL (M16, M18)
21	0270L02078	ASSY, CONTROL BOX DOOR (M15, M16, M17,
31	0163L00266	LATCH (M15, M16, M17, M18)
111	0270L02080	ASSY, BLOWER DOOR (M15, M17)
111	0270L02093	ASSY, BLOWER DOOR (M16, M18)
121	0270L02079	ASSY, GAS BLOWER PANEL (M17)
121	0270L02091	ASSY, GAS BLOWER PANEL (M15)
121	0270L02092	ASSY, GAS BLOWER PANEL (M18)
121	0270L02094	ASSY, GAS BLOWER PANEL (M16)

Expanded Model Nomenclature

M1 - CONVOUTNP090150
M2 - CONVOUTP0901502
M3 - CONVOUTP0901504
M4 - CONVOUTP0901507
M5 - DSC060B58YH01FI
M6 - DSC100B58YH01FI
M7 - DSC150B58YH01FI
M8 - DSC250B58YH01FI
M9 - HAILGD090120HE
M10 - HAILGD150HE
M11 - HAKT036150
M12 - HECH90150230
M13 - HECH90150460
M14 - HECH90150575
M15 - HGDRMDG01FI
M16 - HGDRMDG02FI
M17 - HGDRMD01FI
M18 - HGDRMD02FI
M19 - LPHE-090150
M20 - SDCKTP1FIM10
M21 - SDCKTP1FIM12
M22 - SDRKTP1FIM10
M23 - SDRKTP1FIM12
M24 - SDSKTP1FIM12
M25 - TTBCKHE02
M26 - 3PMKP1
M27 - 3PMKP2

NOTE: SOME OF THE PANEL ASSEMBLIES INCLUDE THE DOOR ASSEMBLY AND SOME DO NOT

THROUGH THE BASE GAS/ELECTRIC KIT



THROUGH THE BASE GAS/ELECTRIC KIT MAY DIFFER FROM WHAT IS SHOWN

Ref. Part No:	Part No:	Description:	Ref. Part No:	Part No:	Description:
---------------	----------	--------------	---------------	----------	--------------

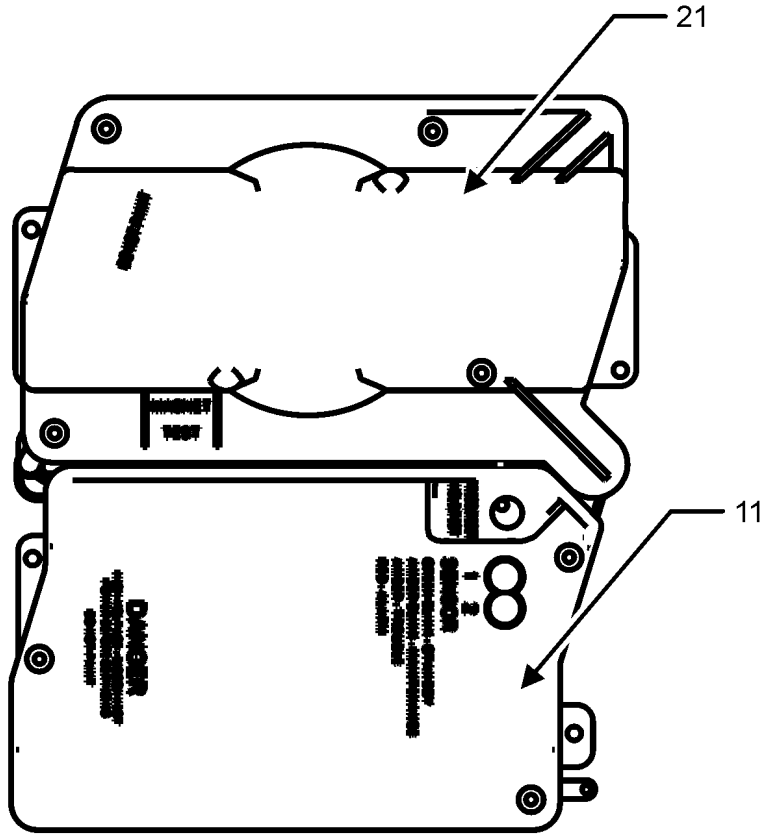
Image 1:

31	0163L00154	CONNECTOR, BULHEAD ELEC 1/2" (M25)
41	0163L00197	2" ELEC BULKHEAD CONNECTOR (M25)
NS	IOD-7118	INSTALLATION INSTRUCTIONS (M25)

Expanded Model Nomenclature

- M1 - CONVOUTNP090150
- M2 - CONVOUTP0901502
- M3 - CONVOUTP0901504
- M4 - CONVOUTP0901507
- M5 - DSC060B58YH01FI
- M6 - DSC100B58YH01FI
- M7 - DSC150B58YH01FI
- M8 - DSC250B58YH01FI
- M9 - HA ILGD090120HE
- M10 - HA ILGD150HE
- M11 - HAKT036150
- M12 - HECH90150230
- M13 - HECH90150460
- M14 - HECH90150575
- M15 - HGDRMDG01FI
- M16 - HGDRMDG02FI
- M17 - HGDRMD01FI
- M18 - HGDRMD02FI
- M19 - LPHE-090150
- M20 - SDCKTP1FIM10
- M21 - SDCKTP1FIM12
- M22 - SDRKTP1FIM10
- M23 - SDRKTP1FIM12
- M24 - SDSKTP1FIM12
- M25 - TTBACKHE02
- M26 - 3PMKP1
- M27 - 3PMKP2

SMOKE DETECTOR MODULE



SMOKE DETECTOR ASSEMBLY MAY DIFFER FROM WHAT IS SHOWN

Ref. Part No:	Ref. Part No:	Description:	Description:
---------------	---------------	--------------	--------------

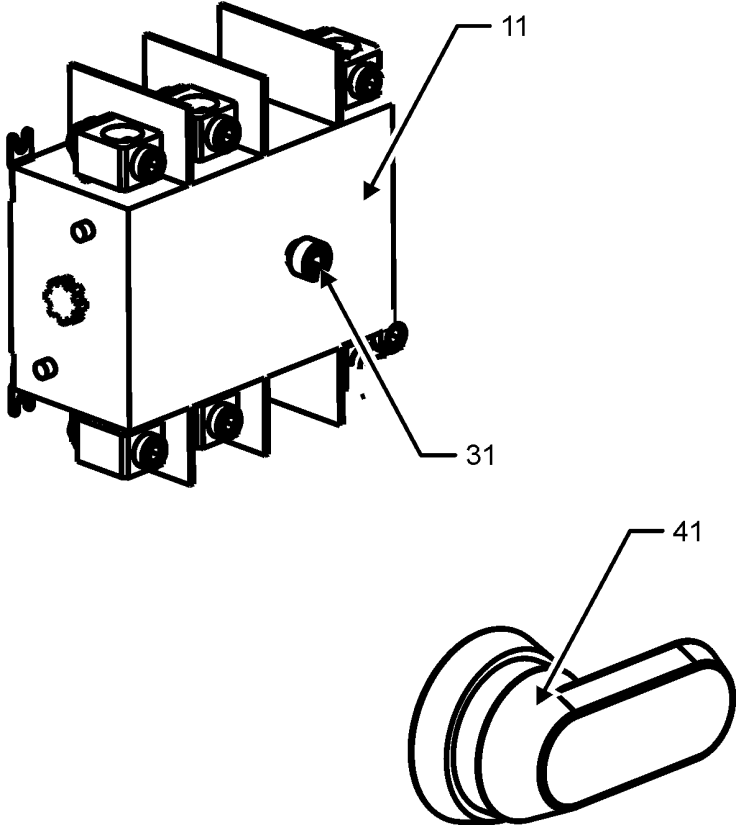
Image 1:

11	D4120	SMOKE DETECTOR, PHOTO 4WIRE (M20, M21, M22, M23, M24)
21	D4S	SMOKE DETECTOR, SENSOR ONLY (M20, M21)

Expanded Model Nomenclature

- M1 - CONVOUTNP090150
- M2 - CONVOUTP0901502
- M3 - CONVOUTP0901504
- M4 - CONVOUTP0901507
- M5 - DSC060B58YH01FI
- M6 - DSC100B58YH01FI
- M7 - DSC150B58YH01FI
- M8 - DSC250B58YH01FI
- M9 - HAILGD090120HE
- M10 - HAILGD150HE
- M11 - HAKT036150
- M12 - HECH90150230
- M13 - HECH90150460
- M14 - HECH90150575
- M15 - HGDRMDG01FI
- M16 - HGDRMDG02FI
- M17 - HGDRMD01FI
- M18 - HGDRMD02FI
- M19 - LPHE-090150
- M20 - SDCKTP1FIM10
- M21 - SDCKTP1FIM12
- M22 - SDRKTP1FIM10
- M23 - SDRKTP1FIM12
- M24 - SDSKTP1FIM12
- M25 - TTBACKHE02
- M26 - 3PMKP1
- M27 - 3PMKP2

DISCONNECT MODULE



DISCONNECT ASSEMBLY MAY DIFFER FROM WHAT IS SHOWN

Ref. Part No: No:	Description:	Ref. Part No: No:	Description:
-------------------	--------------	-------------------	--------------

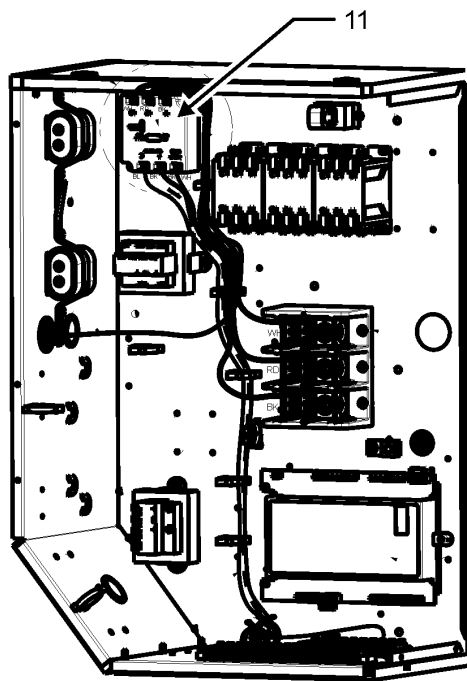
Image 1:

11	0130L00027	SWITCH-DISCONNECT 100A (M6)
11	0130L00028	SWITCH-DISCONNECT 150A (M7)
11	0130L00030	SWITCH-DISCONNECT 250A (M8)
11	0130L00046	SWITCH-DISCONNECT 60A (M5)
31	0130L00056	SHAFT, CUT (M6)
31	0130L00057	SHAFT, CUT (M5)
31	0130L00060	SHAFT, CUT (M8)
31	0130L00239	SHAFT, CUT (M7)
31	0130L00049	SHAFT, DISCONNECT (M5, M6, M7)
41	0130L00039	HANDLE, ROTARY (M5, M6, M7)
NS	0121L03686	BRKT, DISC SWITCH, 150A - 400A (M7, M8)
NS	0121L03685	BRKT, DISC SWITCH, 60A - 100A (M5, M6)
NS	IOD-7002	INSTRUCTION, INST & OPER (M5, M6, M7, M8)
NS	0121L03684SB	PAINTED, COVER-DISC SWITCH (M5, M6, M7, M8)

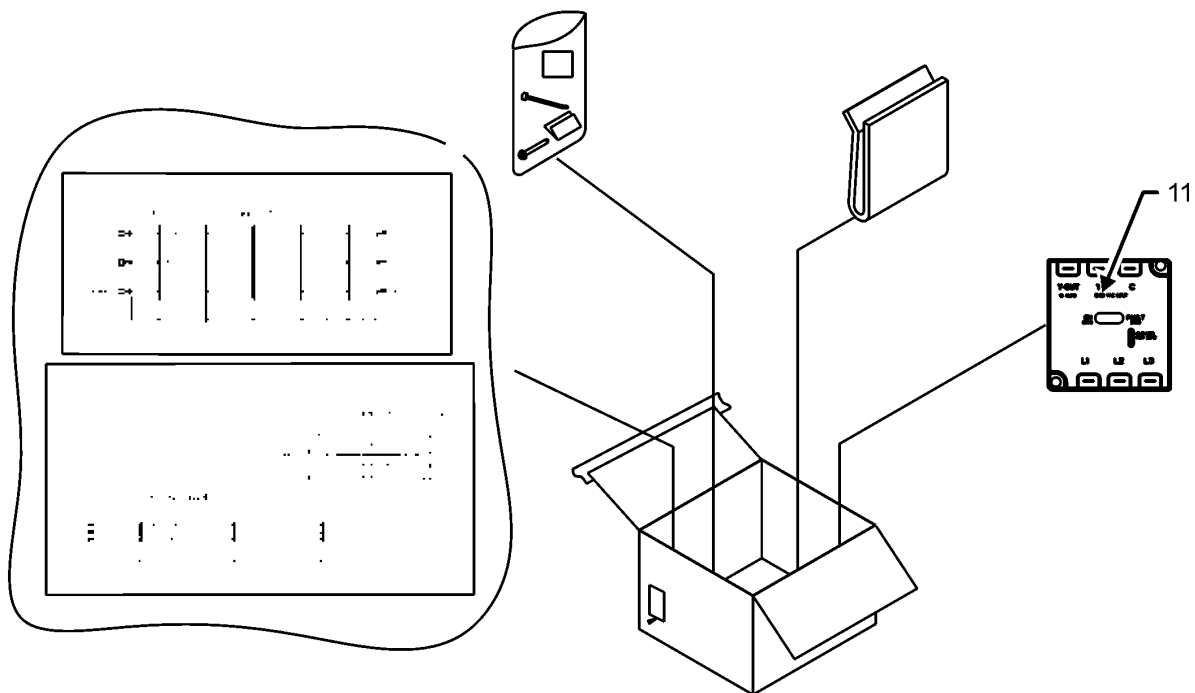
Expanded Model Nomenclature

M1 - CONVOUTNP090150
M2 - CONVOUTP0901502
M3 - CONVOUTP0901504
M4 - CONVOUTP0901507
M5 - DSC060B58YH01FI
M6 - DSC100B58YH01FI
M7 - DSC150B58YH01FI
M8 - DSC250B58YH01FI
M9 - HAILGD090120HE
M10 - HAILGD150HE
M11 - HAKT036150
M12 - HECH90150230
M13 - HECH90150460
M14 - HECH90150575
M15 - HGDRMDG01FI
M16 - HGDRMDG02FI
M17 - HGDRMD01FI
M18 - HGDRMD02FI
M19 - LPHE-090150
M20 - SDCKTP1FIM10
M21 - SDCKTP1FIM12
M22 - SDRKTP1FIM10
M23 - SDRKTP1FIM12
M24 - SDSKTP1FIM12
M25 - TTBACKHE02
M26 - 3PMKP1
M27 - 3PMKP2

PHASE MONITOR



PHASE MONITOR LOCATION MAY DIFFER FROM WHAT IS SHOWN



PHASE MONITOR KIT

PHASE MONITOR MAY DIFFER FROM WHAT IS SHOWN

Ref. Part No: No:	Description:	Ref. Part No: No:	Description:
-------------------	--------------	-------------------	--------------

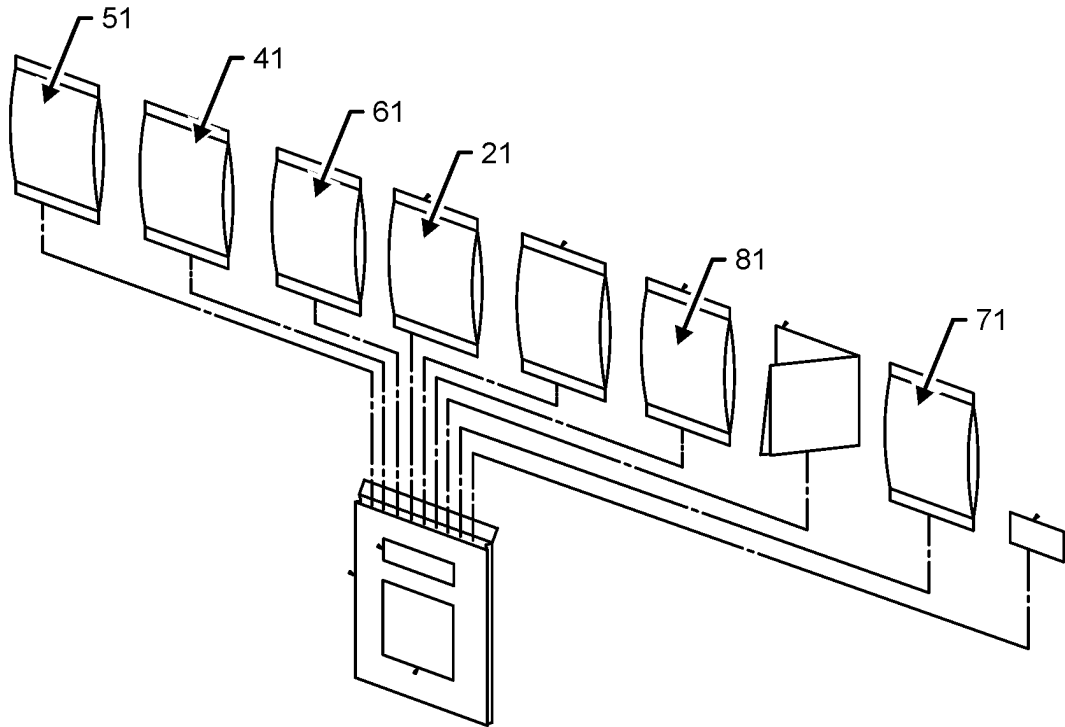
Image 1:

11	0130L00105	PHASE MONITOR (M26, M27)
NS	IOD-7073	INSTALLATION INSTRUCTIONS (M26)
NS	IOD-7115	INSTALLATION INSTRUCTIONS (M27)
NS	0259L00513	WIRE HARNESS (M26)
NS	0259L00514	WIRE HARNESS (M27)
NS	0259L00517	WIRE HARNESS (M26)
NS	0259L00518	WIRE HARNESS (M27)

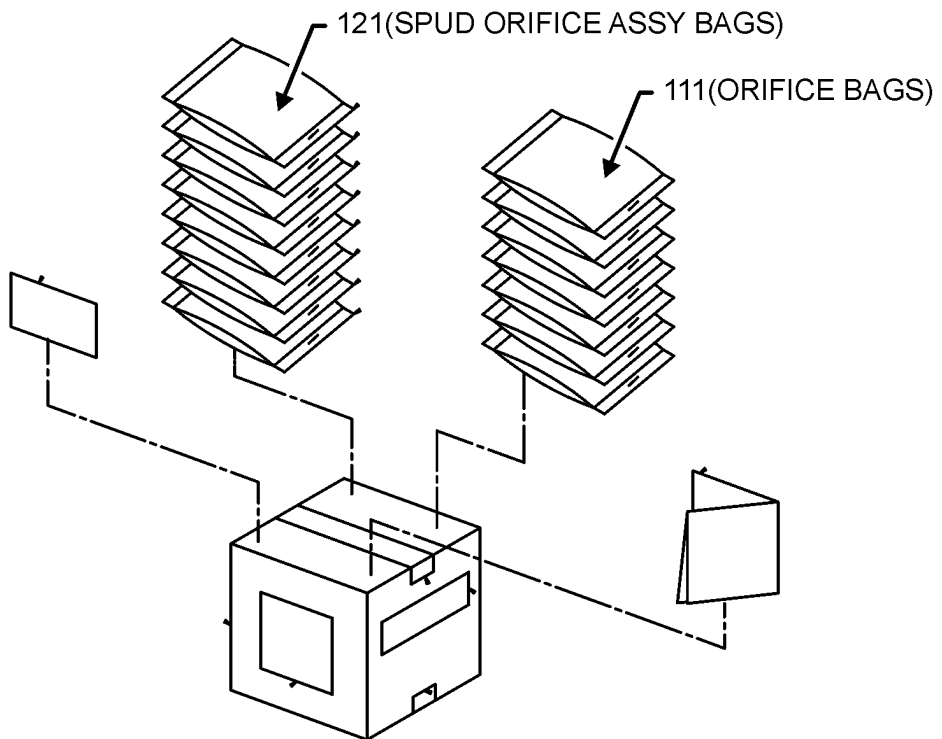
Expanded Model Nomenclature

- M1 - CONVOUTNP090150
- M2 - CONVOUTP0901502
- M3 - CONVOUTP0901504
- M4 - CONVOUTP0901507
- M5 - DSC060B58YH01FI
- M6 - DSC100B58YH01FI
- M7 - DSC150B58YH01FI
- M8 - DSC250B58YH01FI
- M9 - HAILGD090120HE
- M10 - HAILGD150HE
- M11 - HAKT036150
- M12 - HECH90150230
- M13 - HECH90150460
- M14 - HECH90150575
- M15 - HGDRMDG01FI
- M16 - HGDRMDG02FI
- M17 - HGDRMD01FI
- M18 - HGDRMD02FI
- M19 - LPHE-090150
- M20 - SDCKTP1FIM10
- M21 - SDCKTP1FIM12
- M22 - SDRKTP1FIM10
- M23 - SDRKTP1FIM12
- M24 - SDSKTP1FIM12
- M25 - TTBCKHE02
- M26 - 3PMKP1
- M27 - 3PMKP2

PROPANE CONVERSION KIT (GAS ONLY)



HIGH ALTITUDE CONVERSION KIT (GAS ONLY)



Ref. Part No:	No:	Description:
Image 1:		
21	0163F00000P	REGULATOR SPRING KIT WR (M19)
41	0163L00241	ASSY SPUD ORIFICE #50 (M19)
51	0163L00242	ASSY SPUD ORIFICE #51 (M19)
61	0163L00243	ASSY SPUD ORIFICE #52 (M19)
71	0163L00244	ASSY SPUD ORIFICE #53 (M19)
81	0163L00245	ASSY SPUD ORIFICE #54 (M19)
111	B2589901	#43 ORIFICE (M11)
111	B2589902	#44 ORIFICE (M11)
111	B2589904	#46 ORIFICE (M11)
111	B2589905	#47 ORIFICE (M11)
111	B2589906	#48 ORIFICE (M11)
111	B2589907	#49 ORIFICE (M11)
111	B4089945	GAS ORIFICE #45 (M11)
121	0163L00248	ASSY SPUD ORIFICE #35 (M11)
121	0163L00249	ASSY SPUD ORIFICE #36 (M11)
121	0163L00250	ASSY SPUD ORIFICE #37 (M11)
121	0163L00251	ASSY SPUD ORIFICE #38 (M11)
121	0163L00252	ASSY SPUD ORIFICE #39 (M11)
121	0163L00253	ASSY SPUD ORIFICE #40 (M11)
121	0163L00254	ASSY SPUD ORIFICE #41 (M11)
121	0163L00255	ASSY SPUD ORIFICE #42 (M11)
NS	IOD-7089B	INSTALLATION INSTRUCTIONS (HIGH ALT) (M11)
NS	IOD-7088	INSTALLATION INSTRUCTIONS (LP CONV) (M19)

Ref. Part No:	No:	Description:
Expanded Model Nomenclature		

M1 - CONVOUTNP090150
M2 - CONVOUTP0901502
M3 - CONVOUTP0901504
M4 - CONVOUTP0901507
M5 - DSC060B58YH01FI
M6 - DSC100B58YH01FI
M7 - DSC150B58YH01FI
M8 - DSC250B58YH01FI
M9 - HAILGD090120HE
M10 - HAILGD150HE
M11 - HAKT036150
M12 - HECH90150230
M13 - HECH90150460
M14 - HECH90150575
M15 - HGDRMDG01FI
M16 - HGDRMDG02FI
M17 - HGDRMD01FI
M18 - HGDRMD02FI
M19 - LPHE-090150
M20 - SDCKTP1FIM10
M21 - SDCKTP1FIM12
M22 - SDRKTP1FIM10
M23 - SDRKTP1FIM12
M24 - SDSKTP1FIM12
M25 - TTBCKHE02
M26 - 3PMKP1
M27 - 3PMKP2