

## Accessory Parts

3PMKP3  
CONVOUTP36722  
CONVOUTP36724  
CONVOUTP36727  
DSC060A54YH01FI  
DSC100A54YH01FI  
DSC150A54YH01FI  
HAILGD036HE  
HAILGD048060HE  
HAILGD072HE  
HAKT036150  
HECH36230  
HECH36460  
HECH36575  
HECH4860230  
HECH4860460  
HECH4860575  
HGDRSM01FI  
HGDRSM02FI  
HGDRSM03FI  
HGDRSMG01FI  
HGDRSMG02FI  
HGDRSMG03FI  
LPHE-036072  
SDCKTP1FIS3  
SDRKTP1FIS3  
SDSKTP1FIS3  
TTBCKHE01

# ACCESSORY PARTS LIST

# RP-FIOPSC



This manual is to be used by qualified technicians only.

This manual replaces RP-FIOPMC  
released in March 2020.

# Important Information

---

## Index

Functional Parts List .....	3
Illustration and Parts .....	4 - 21

*Views shown are for parts illustrations only, not servicing procedures.*

4-5-22: REMOVED NOMENCLATURE PAGE PER REQUEST FROM ~~ÖESQ~~ ~~MARKETING~~ ~~ÖÜUWJ~~

### Text Codes:

AR - As Required

NA - Not Available

NS - Not Shown

00000000 - See Note

QTY - Quantity Example (QTY 3) (If Quantity not shown, Quantity = 1)

M - Model Example (M1) (If M Code not shown, then part is used on all Models)

### Expanded Model Nomenclature:

Example
M1 - Model#1
M2 - Model#2
M3 - Model#3

Daikin Company, L.P. is not responsible for personal injury or property damage resulting from improper service. Review all service information before beginning repairs.

Warranty service must be performed by an authorized technician, using authorized factory parts. If service is required after the warranty expires, Daikin Company, L.P. also recommends contacting an authorized technician and using authorized factory parts.

Daikin Company, L.P. reserves the right to discontinue, or change at any time, specifications or designs without notice or without incurring obligations.

For assistance within the U.S.A. contact:

Equipment Support  
Daikin North America, LLC  
19001 Kermier Road  
Waller, Texas 77484  
855-770-5678-Telephone  
713-863-2382-Facsimile

For assistance outside the U.S.A. contact:

International Division  
Daikin North America, LLC  
19001 Kermier Road  
Waller, Texas 77484  
713-861-2500-Telephone  
713-863-2382-Facsimile

# Functional Parts

**Part No:**            **Description:**

0130L00165	CLASS CC FUSE 10A (M1)
0130L00164	CLASS CC FUSE 5A (M2, M3)
0130M00178	DPDT RELAY 24VAC (M11, M12, M13, M14, M15, M16)
0130L00209	HEATER, CRANKCASE 240V, 40W (M14)
0130L00208	HEATER, CRANKCASE 240V, 40W (M11)
0130L00211	HEATER, CRANKCASE 480V, 40W (M15)
0130L00210	HEATER, CRANKCASE 480V, 40W (M12)
0130L00213	HEATER, CRANKCASE 575V, 40W (M16)
0130L00212	HEATER, CRANKCASE 575V, 40W (M13)
0130L00105	PHASE MONITOR (M28)
0130M00199	SWITCH, CRANKCASE HEATER (M11, M12, M13, M14, M15, M16)
0130L00027	SWITCH-DISCONNECT 100A (M5)
0130L00028	SWITCH-DISCONNECT 150A (M6)
0130L00046	SWITCH-DISCONNECT 60A (M4)
0130M00667	TRANSFORMER (M1, M2)
0130M00669	TRANSFORMER (M3)

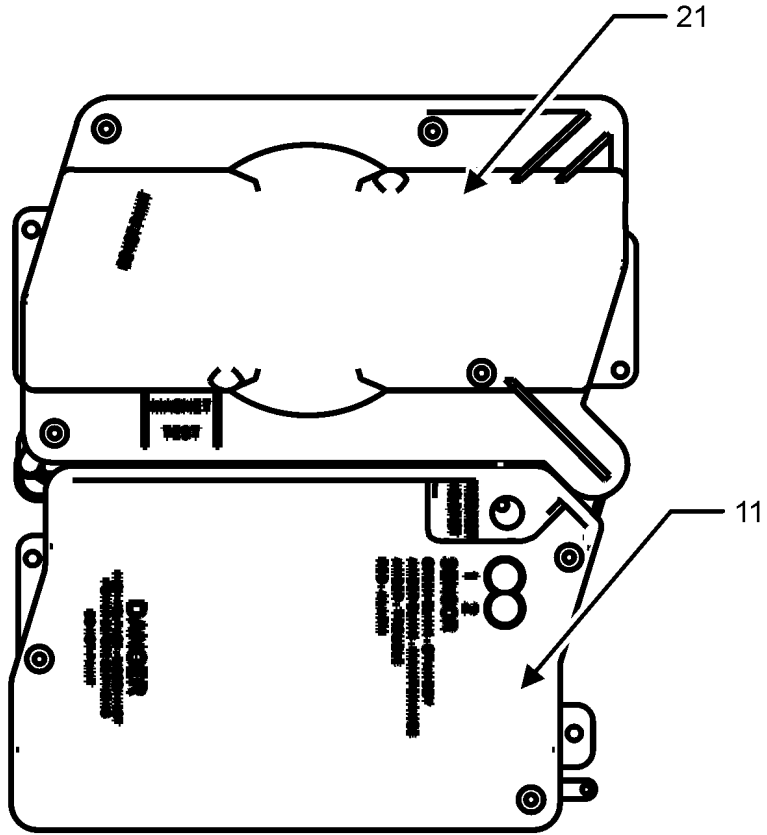
**SPECIAL PARTS**

IOD-7002A	INSTALLATION INSTRUCTIONS (M4, M5, M6)
IOD-7118	INSTALLATION INSTRUCTIONS (M27)
IOD-7001B	INSTALLATION INSTRUCTIONS (M1, M2, M3)
IOD-7103A	INSTALLATION INSTRUCTIONS (M11, M12, M13, M14, M15, M16)
IOD-7027	INSTALLATION INSTRUCTIONS (M1, M2, M3)
IOD-7089B	INSTALLATION INSTRUCTIONS (HIGH ALT) (M10)
IOD-7088B	INSTALLATION INSTRUCTIONS (LP CONV) (M23)
IOD-7083B	PAINTED, HAIL GUARD PANEL (M7, M8, M9)

**Expanded Model Nomenclature**

M1 - CONVOUTP36722
M2 - CONVOUTP36724
M3 - CONVOUTP36727
M4 - DSC060A54YH01FI
M5 - DSC100A54YH01FI
M6 - DSC150A54YH01FI
M7 - HAILGD036HE
M8 - HAILGD048060HE
M9 - HAILGD072HE
M10 - HAKT036150
M11 - HECH36230
M12 - HECH36460
M13 - HECH36575
M14 - HECH4860230
M15 - HECH4860460
M16 - HECH4860575
M17 - HGDRSMG01FI
M18 - HGDRSMG02FI
M19 - HGDRSMG03FI
M20 - HGDRSM01FI
M21 - HGDRSM02FI
M22 - HGDRSM03FI
M23 - LPHE-036072
M24 - SDCKTP1FIS3
M25 - SDRKTP1FIS3
M26 - SDSKTP1FIS3
M27 - TTBACKHE01
M28 - 3PMKP3

SMOKE DETECTOR MODULE



SMOKE DETECTOR ASSEMBLY MAY DIFFER FROM WHAT IS SHOWN

Ref. Part No: No:	Description:	Ref. Part No: No:	Description:
-------------------	--------------	-------------------	--------------

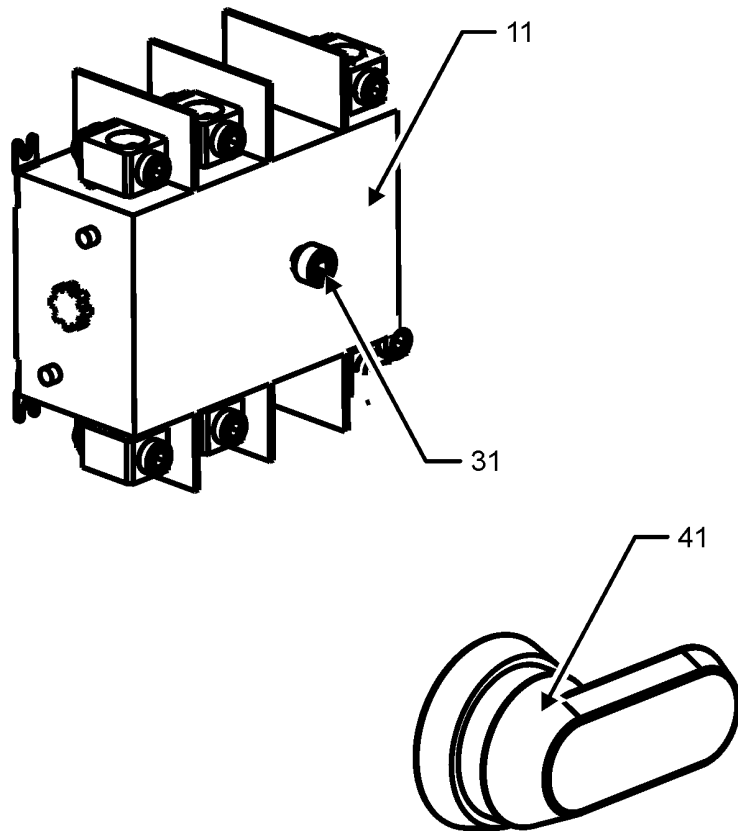
**Image 1:**

11	D4120	SMOKE DETECTOR, PHOTO 4WIRE (M24, M25, M26)
21	D4S	SMOKE DETECTOR, SENSOR ONLY (M24)
NS	0121L03576	BRKT, SMOKE DETECTOR (M24, M25)
NS	0121L00321	COVER-SMOKE DETECTOR (M24, M26)

**Expanded Model Nomenclature**

- M1 - CONVOUTP36722
- M2 - CONVOUTP36724
- M3 - CONVOUTP36727
- M4 - DSC060A54YH01FI
- M5 - DSC100A54YH01FI
- M6 - DSC150A54YH01FI
- M7 - HAILGD036HE
- M8 - HAILGD048060HE
- M9 - HAILGD072HE
- M10 - HAKT036150
- M11 - HECH36230
- M12 - HECH36460
- M13 - HECH36575
- M14 - HECH4860230
- M15 - HECH4860460
- M16 - HECH4860575
- M17 - HGDRSMG01FI
- M18 - HGDRSMG02FI
- M19 - HGDRSMG03FI
- M20 - HGDRSM01FI
- M21 - HGDRSM02FI
- M22 - HGDRSM03FI
- M23 - LPHE-036072
- M24 - SDCKTP1FIS3
- M25 - SDRKTP1FIS3
- M26 - SDSKTP1FIS3
- M27 - TTBACKHE01
- M28 - 3PMKP3

DISCONNECT MODULE



DISCONNECT ASSEMBLY MAY DIFFER FROM WHAT IS SHOWN

Ref. Part No: No:	Description:	Ref. Part No: No:	Description:
-------------------	--------------	-------------------	--------------

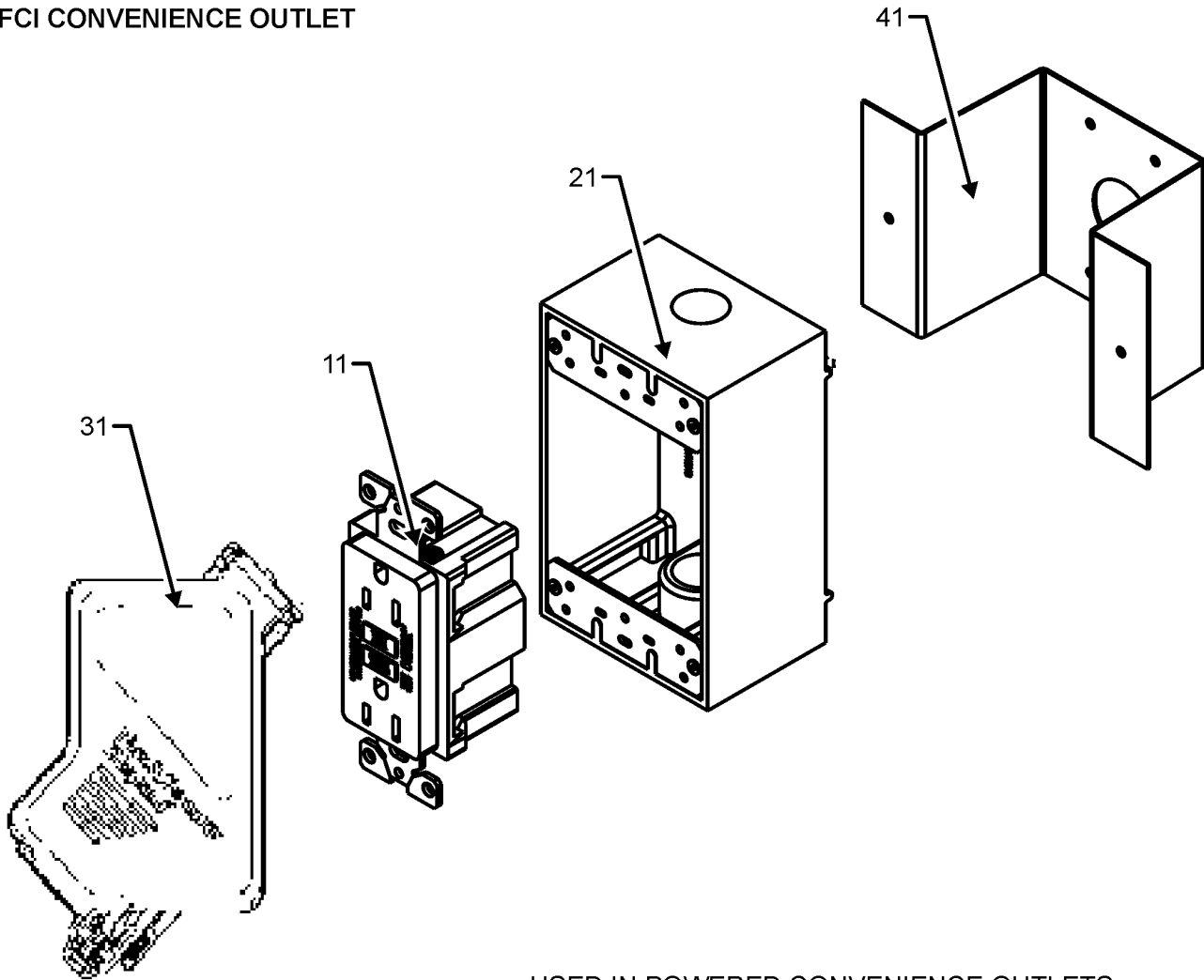
**Image 1:**

11	0130L00027	SWITCH-DISCONNECT 100A (M5)
11	0130L00028	SWITCH-DISCONNECT 150A (M6)
11	0130L00046	SWITCH-DISCONNECT 60A (M4)
31	0130L00040	SHAFT, CUT (M6)
31	0130L00042	SHAFT, CUT (M4)
31	0130L00049	SHAFT, DISCONNECT (M5)
41	0130L00039	HANDLE, ROTARY (M4, M5, M6)
NS	0121L00835	BRACKET-DISCONNECT SWITCH (M4, M5, M6)
NS	IOD-7002A	INSTALLATION INSTRUCTIONS (M4, M5, M6)
NS	0121L00837SB	PNT, DISCONNECT COVER (M4, M5, M6)

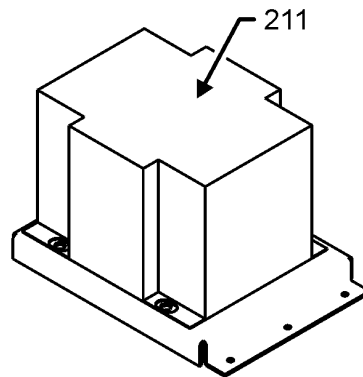
**Expanded Model Nomenclature**

- M1 - CONVOUTP36722
- M2 - CONVOUTP36724
- M3 - CONVOUTP36727
- M4 - DSC060A54YH01FI
- M5 - DSC100A54YH01FI
- M6 - DSC150A54YH01FI
- M7 - HAILGD036HE
- M8 - HAILGD048060HE
- M9 - HAILGD072HE
- M10 - HAKT036150
- M11 - HECH36230
- M12 - HECH36460
- M13 - HECH36575
- M14 - HECH4860230
- M15 - HECH4860460
- M16 - HECH4860575
- M17 - HGDRSMG01FI
- M18 - HGDRSMG02FI
- M19 - HGDRSMG03FI
- M20 - HGDRSM01FI
- M21 - HGDRSM02FI
- M22 - HGDRSM03FI
- M23 - LPHE-036072
- M24 - SDCKTP1FIS3
- M25 - SDRKTP1FIS3
- M26 - SDSKTP1FIS3
- M27 - TTBACKHE01
- M28 - 3PMKP3

GFCI CONVENIENCE OUTLET



USED IN POWERED CONVENIENCE OUTLETS



GFCI ASSEMBLY MAY DIFFER FROM WHAT IS SHOWN



Ref. Part No: No:	Description:	Ref. Part No: No:	Description:
-------------------	--------------	-------------------	--------------

**Image 1:**

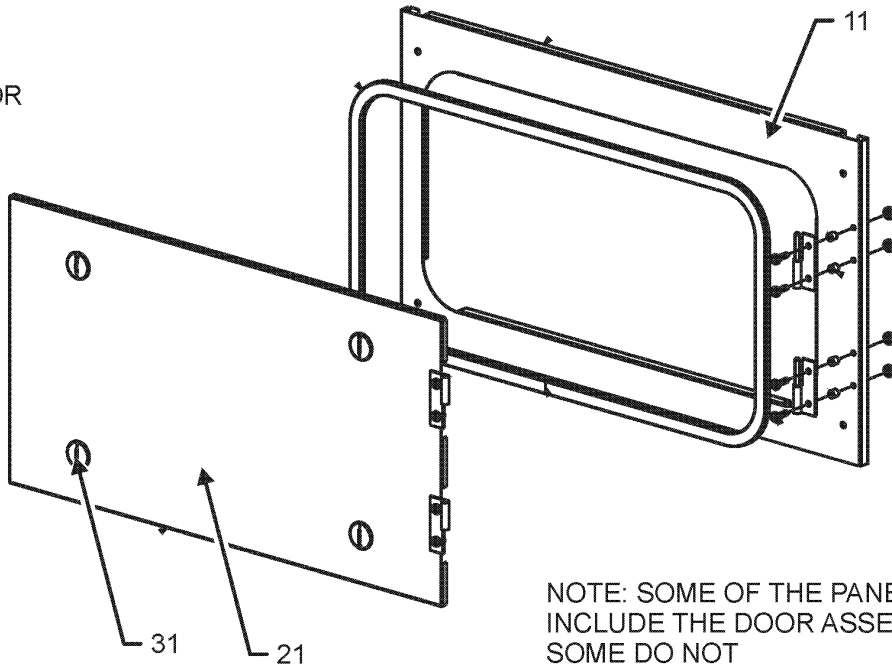
11	0130L00103	RECEPTACLE-GFCI OUTLET (M1, M2, M3)
21	0130L00012	GANG BOX-GFCI OUTLET (M1, M2, M3)
31	0161G00012	POWER OUTLET BOX (M1, M2, M3)
41	0121L00316	BRACKET-CONV OUTLET MOUNT (M1, M2, M3)
211	0130M00667	TRANSFORMER (M1, M2)
211	0130M00669	TRANSFORMER (M3)
NS	0130L00165	CLASS CC FUSE 10A (M1)
NS	0130L00164	CLASS CC FUSE 5A (M2, M3)
NS	B1393726	ELECT CONNECTING BUSHING (M1, M2, M3)
NS	0130M00670	FUSE BLOCK CLASS CC (M1, M2, M3)
NS	IOD-7001B	INSTALLATION INSTRUCTIONS (M1, M2, M3)
NS	IOD-7027	INSTALLATION INSTRUCTIONS (M1, M2, M3)

**Expanded Model Nomenclature**

M1 - CONVOUTP36722
M2 - CONVOUTP36724
M3 - CONVOUTP36727
M4 - DSC060A54YH01FI
M5 - DSC100A54YH01FI
M6 - DSC150A54YH01FI
M7 - HAILGD036HE
M8 - HAILGD048060HE
M9 - HAILGD072HE
M10 - HAKT036150
M11 - HECH36230
M12 - HECH36460
M13 - HECH36575
M14 - HECH4860230
M15 - HECH4860460
M16 - HECH4860575
M17 - HGDRSMG01FI
M18 - HGDRSMG02FI
M19 - HGDRSMG03FI
M20 - HGDRSM01FI
M21 - HGDRSM02FI
M22 - HGDRSM03FI
M23 - LPHE-036072
M24 - SDCKTP1FIS3
M25 - SDRKTP1FIS3
M26 - SDSKTP1FIS3
M27 - TTBCKHE01
M28 - 3PMKP3

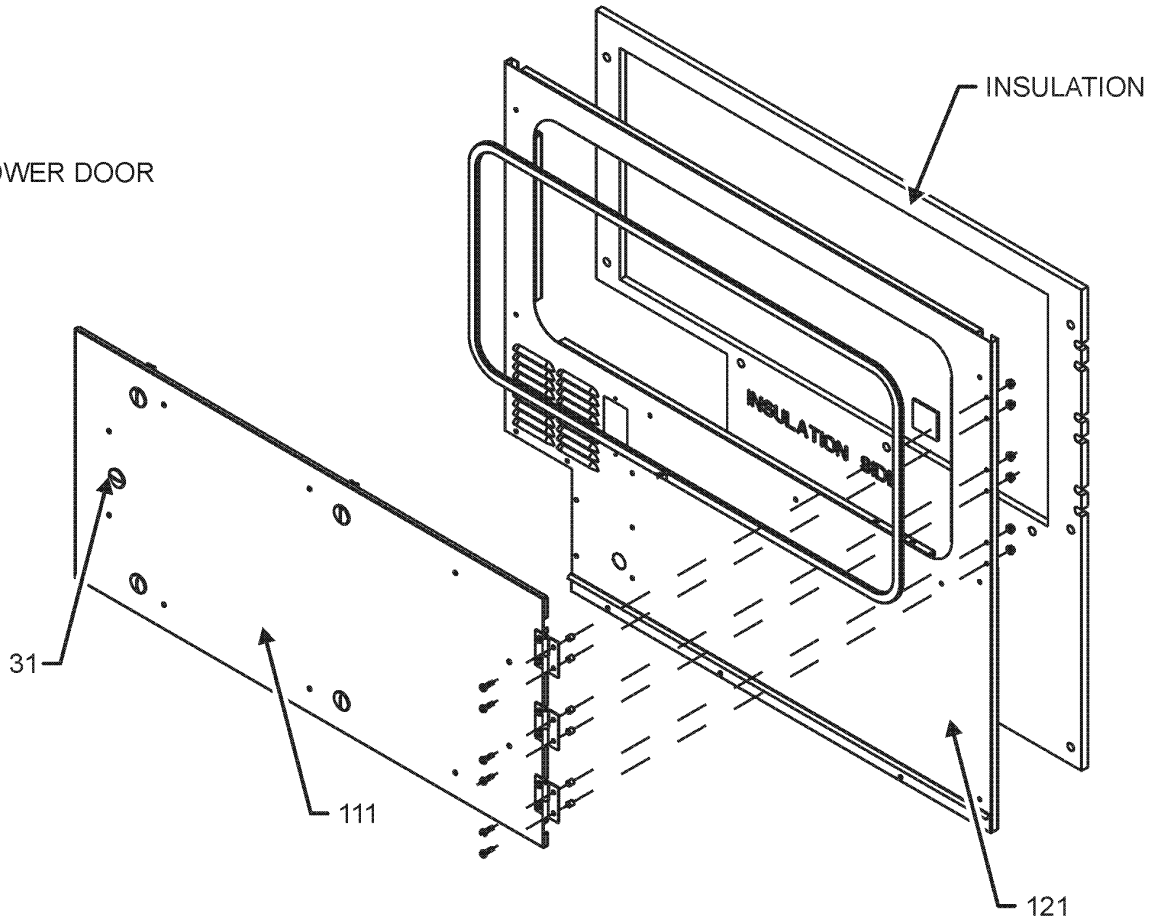
HINGE DOOR ASSEMBLIES

CONTROL DOOR



NOTE: SOME OF THE PANEL ASSEMBLIES INCLUDE THE DOOR ASSEMBLY AND SOME DO NOT

BLOWER DOOR



HINGED DOOR ASSEMBLY MAY DIFFER FROM WHAT IS SHOWN

**Ref. Part  
No: No:**

**Description:**

**Ref. Part  
No: No:**

**Description:**

**Image 1:**

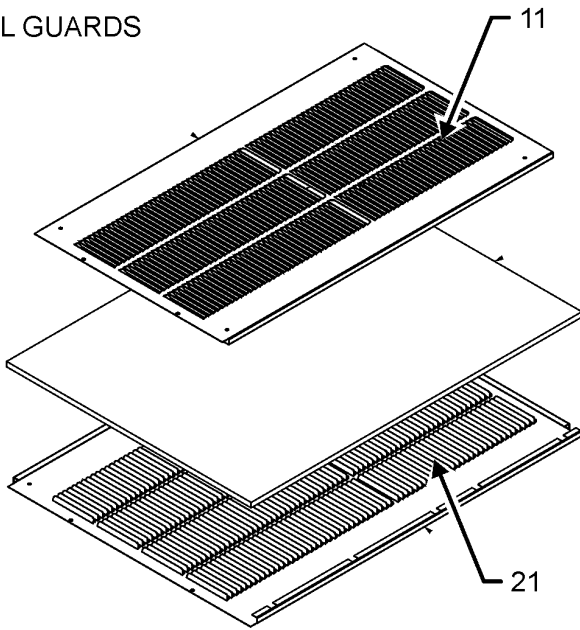
11	0270L02001	ASSY, CONTROL BOX DOOR (M17, M18, M19, M20, M21, M22)
21	0270L02038	ASSY, CONTROL BOX DOOR (M17, M18, M19, M20, M21, M22)
31	0163L00266	LATCH (M17, M18, M19, M20, M21, M22)
111	0270L02035	ASSY, BLOWER DOOR (M19, M22)
111	0270L02036	ASSY, BLOWER DOOR (M18, M21)
111	0270L02037	ASSY, BLOWER DOOR (M17, M20)
121	0270L01989	ASSY, BLOWER PANEL (M22)
121	0270L01995	ASSY, BLOWER PANEL (M20)
121	0270L02024	ASSY, BLOWER PANEL (M21)
121	0270L01978	ASSY, GAS BLOWER PANEL (M19)
121	0270L01994	ASSY, GAS BLOWER PANEL (M17)
121	0270L02023	ASSY, GAS BLOWER PANEL (M18)
121	0270L01596	ASSY, GAS BLOWER PANEL (M17)
121	0270L01428	ASSY., BLOWER PANEL (M21)
121	0270L01429	ASSY., BLOWER PANEL (M22)
121	0270L00929	ASSY., GAS BLOWER PANEL (M19)
121	0270L00992	ASSY., GAS BLOWER PANEL (M18)
121	0270L01427	ASSY., BLOWER PANEL (M20)

**Expanded Model Nomenclature**

M1 - CONVOUTP36722
M2 - CONVOUTP36724
M3 - CONVOUTP36727
M4 - DSC060A54YH01FI
M5 - DSC100A54YH01FI
M6 - DSC150A54YH01FI
M7 - HAILGD036HE
M8 - HAILGD048060HE
M9 - HAILGD072HE
M10 - HAKT036150
M11 - HECH36230
M12 - HECH36460
M13 - HECH36575
M14 - HECH4860230
M15 - HECH4860460
M16 - HECH4860575
M17 - HGDRSMG01FI
M18 - HGDRSMG02FI
M19 - HGDRSMG03FI
M20 - HGDRSM01FI
M21 - HGDRSM02FI
M22 - HGDRSM03FI
M23 - LPHE-036072
M24 - SDCKTP1FIS3
M25 - SDRKTP1FIS3
M26 - SDSKTP1FIS3
M27 - TTBACKHE01
M28 - 3PMKP3

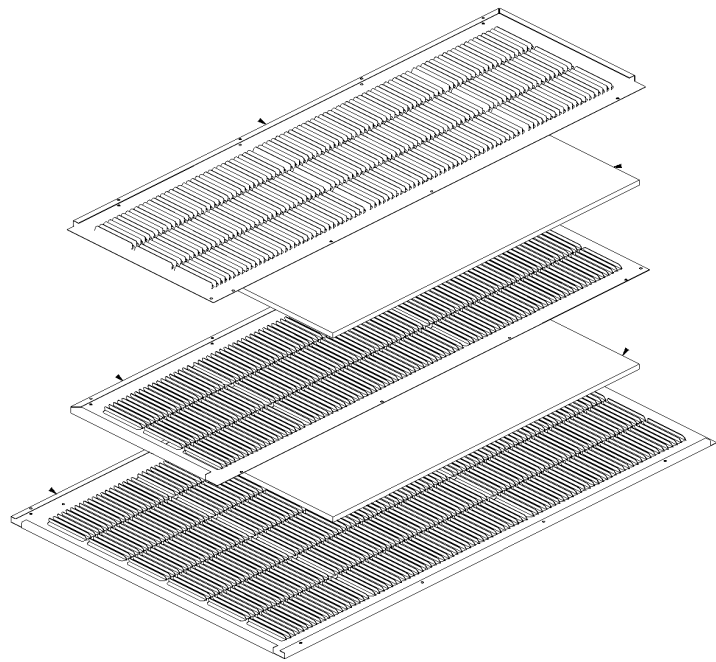
NOTE: SOME OF THE PANEL ASSEMBLIES INCLUDE THE DOOR ASSEMBLY AND SOME DO NOT

HAIL GUARDS



SMALL CHASSIS

MEDIUM CHASSIS



HAIL GUARD ASSEMBLY MAY DIFFER FROM WHAT IS SHOWN

Ref. Part No: No:	Description:	Ref. Part No: No:	Description:
-------------------	--------------	-------------------	--------------

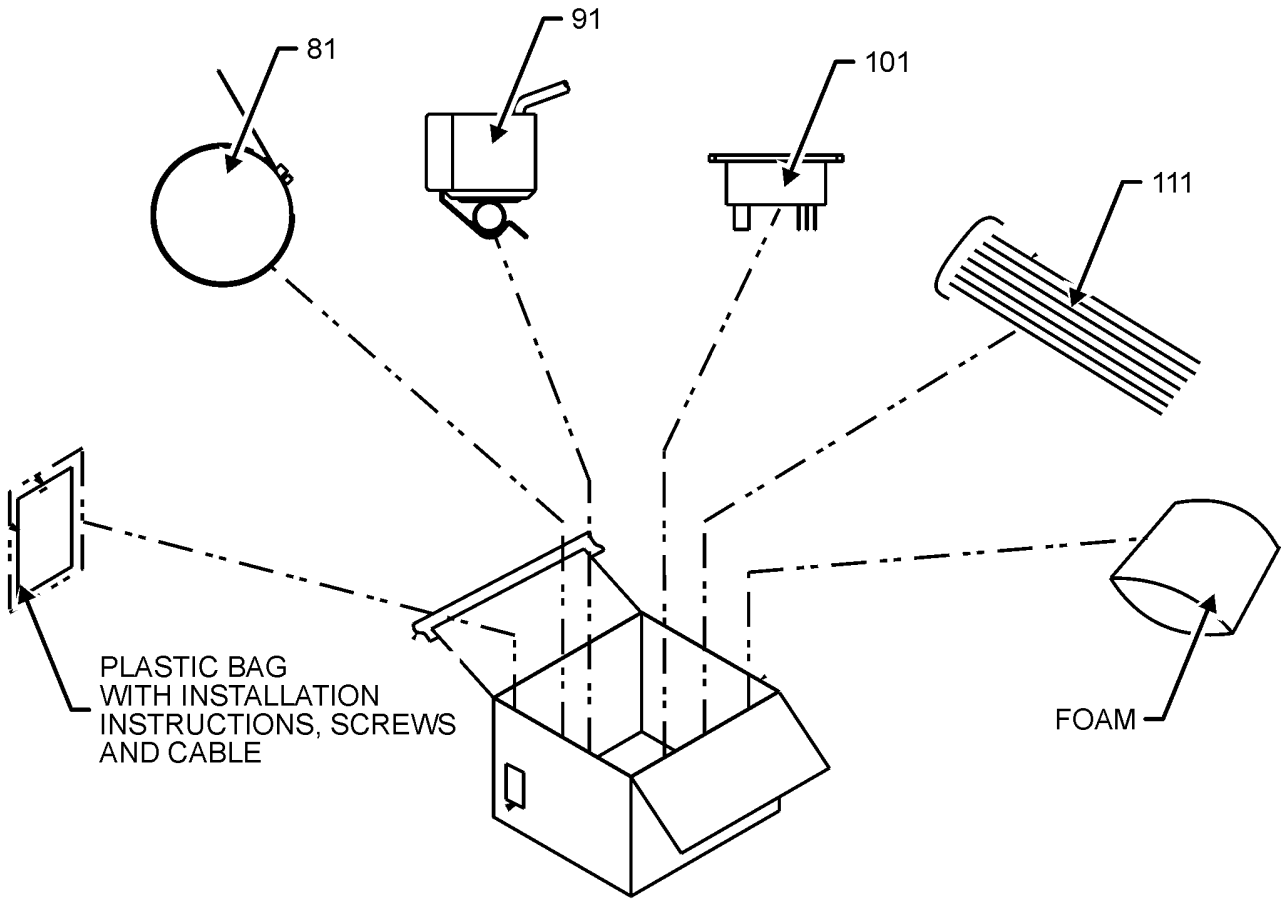
**Image 1:**

11	0121L01655SB	PAINTED, HAIL GUARD PANEL (M8)	
11	0121L03661SB	PAINTED, HAIL GUARD PANEL (M9)	
11	0121L03806SB	PAINTED, HAIL GUARD PANEL (M7)	
21	0121L01654SB	PAINTED, HAIL GUARD PANEL (M8)	
21	0121L03660SB	PAINTED, HAIL GUARD PANEL (M9)	
21	0121L03805SB	PAINTED, HAIL GUARD PANEL (M7)	
NS	IOD-7083B	PAINTED, HAIL GUARD PANEL (M7, M8,	

**Expanded Model Nomenclature**

- M1 - CONVOUTP36722
- M2 - CONVOUTP36724
- M3 - CONVOUTP36727
- M4 - DSC060A54YH01FI
- M5 - DSC100A54YH01FI
- M6 - DSC150A54YH01FI
- M7 - HAILGD036HE
- M8 - HAILGD048060HE
- M9 - HAILGD072HE
- M10 - HAKT036150
- M11 - HECH36230
- M12 - HECH36460
- M13 - HECH36575
- M14 - HECH4860230
- M15 - HECH4860460
- M16 - HECH4860575
- M17 - HGDRSMG01FI
- M18 - HGDRSMG02FI
- M19 - HGDRSMG03FI
- M20 - HGDRSM01FI
- M21 - HGDRSM02FI
- M22 - HGDRSM03FI
- M23 - LPHE-036072
- M24 - SDCKTP1FIS3
- M25 - SDRKTP1FIS3
- M26 - SDSKTP1FIS3
- M27 - TTBACKHE01
- M28 - 3PMKP3

CRANKCASE HEATERS



CRANKCASE HEATER ASSEMBLY MAY DIFFER FROM WHAT IS SHOWN

Ref. Part No: No:	Description:	Ref. Part No: No:	Description:
-------------------	--------------	-------------------	--------------

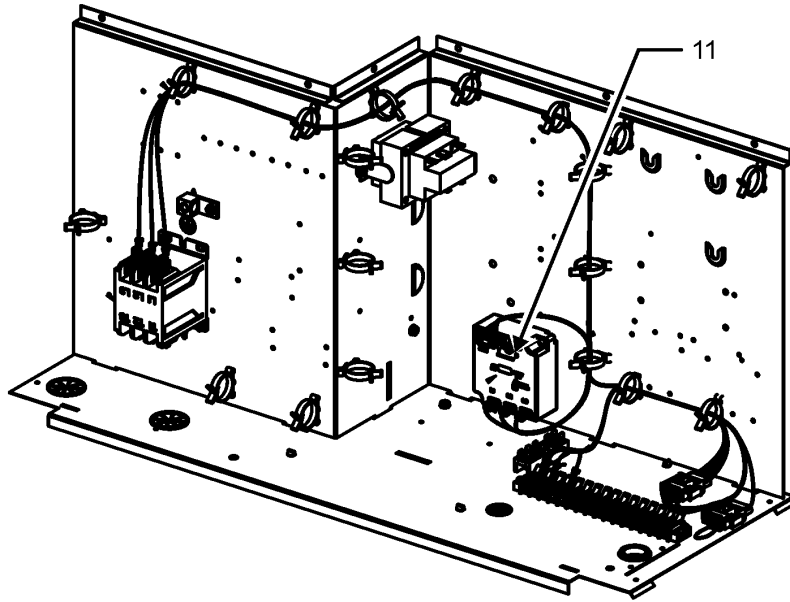
**Image 1:**

81	0130L00208	HEATER, CRANKCASE 240V, 40W (M11)
81	0130L00209	HEATER, CRANKCASE 240V, 40W (M14)
81	0130L00210	HEATER, CRANKCASE 480V, 40W (M12)
81	0130L00211	HEATER, CRANKCASE 480V, 40W (M15)
81	0130L00212	HEATER, CRANKCASE 575V, 40W (M13)
81	0130L00213	HEATER, CRANKCASE 575V, 40W (M16)
91	0130M00199	SWITCH, CRANKCASE HEATER (M11, M12, M13, M14, M15, M16)
101	0130M00178	DPDT RELAY 24VAC (M11, M12, M13, M14, M15, M16)
111	0259L01198	WIRE HARNESS ASSY. (M11, M12, M13, M14, M15, M16)
111	0259L01199	WIRE HARNESS ASSY. (M11, M12, M13, M14, M15, M16)
NS	IOD-7103A	INSTALLATION INSTRUCTIONS (M11, M12, M13, M14, M15, M16)

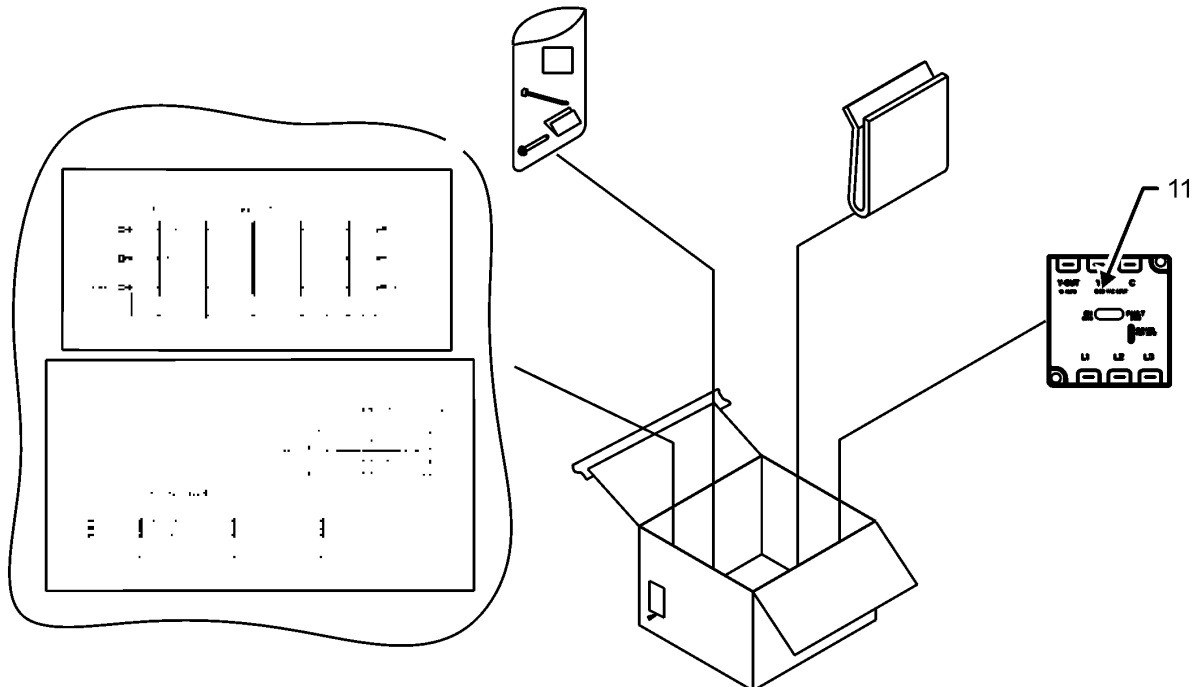
**Expanded Model Nomenclature**

M1 - CONVOUTP36722
M2 - CONVOUTP36724
M3 - CONVOUTP36727
M4 - DSC060A54YH01FI
M5 - DSC100A54YH01FI
M6 - DSC150A54YH01FI
M7 - HAILGD036HE
M8 - HAILGD048060HE
M9 - HAILGD072HE
M10 - HAKT036150
M11 - HECH36230
M12 - HECH36460
M13 - HECH36575
M14 - HECH4860230
M15 - HECH4860460
M16 - HECH4860575
M17 - HGDRSMG01FI
M18 - HGDRSMG02FI
M19 - HGDRSMG03FI
M20 - HGDRSM01FI
M21 - HGDRSM02FI
M22 - HGDRSM03FI
M23 - LPHE-036072
M24 - SDCKTP1FIS3
M25 - SDRKTP1FIS3
M26 - SDSKTP1FIS3
M27 - TTBCKHE01
M28 - 3PMKP3

PHASE MONITOR



PHASE MONITOR LOCATION MAY DIFFER FROM WHAT IS SHOWN



PHASE MONITOR KIT

PHASE MONITOR MAY DIFFER FROM WHAT IS SHOWN



Ref. Part No: No:	Description:	Ref. Part No: No:	Description:
-------------------	--------------	-------------------	--------------

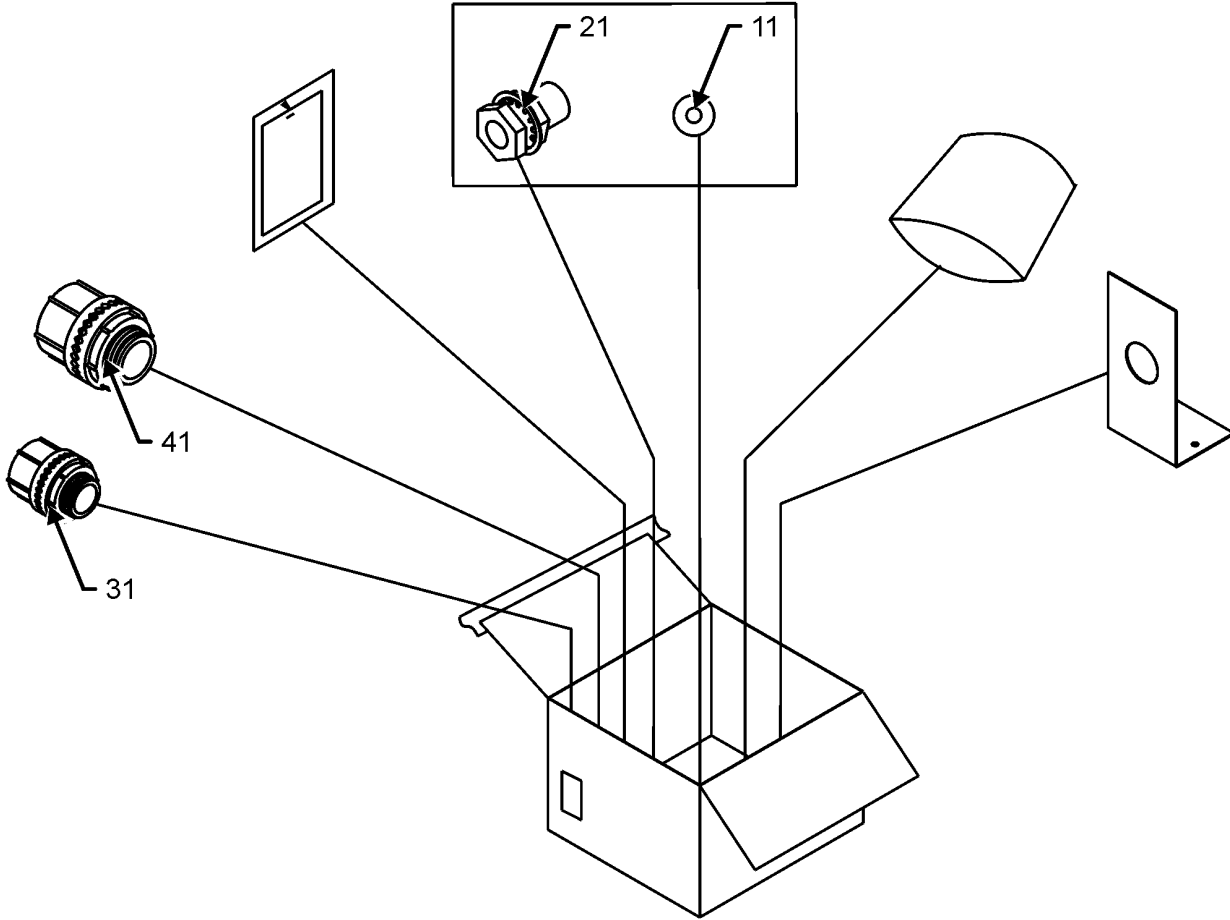
**Image 1:**

11	0130L00105	PHASE MONITOR (M28)
NS	0259L00517	WIRE HARNESS (M28)
NS	0259L01656	WIRE HARNESS ASSY (M28)

**Expanded Model Nomenclature**

- M1 - CONVOUTP36722
- M2 - CONVOUTP36724
- M3 - CONVOUTP36727
- M4 - DSC060A54YH01FI
- M5 - DSC100A54YH01FI
- M6 - DSC150A54YH01FI
- M7 - HAILGD036HE
- M8 - HAILGD048060HE
- M9 - HAILGD072HE
- M10 - HAKT036150
- M11 - HECH36230
- M12 - HECH36460
- M13 - HECH36575
- M14 - HECH4860230
- M15 - HECH4860460
- M16 - HECH4860575
- M17 - HGDRSMG01FI
- M18 - HGDRSMG02FI
- M19 - HGDRSMG03FI
- M20 - HGDRSM01FI
- M21 - HGDRSM02FI
- M22 - HGDRSM03FI
- M23 - LPHE-036072
- M24 - SDCKTP1FIS3
- M25 - SDRKTP1FIS3
- M26 - SDSKTP1FIS3
- M27 - TTBACKHE01
- M28 - 3PMKP3

THROUGH THE BASE GAS/ELECTRIC KIT



THROUGH THE BASE GAS/ELECTRIC KIT MAY DIFFER FROM WHAT IS SHOWN

Ref. Part No:	Ref. Part No:	Description:	Description:
---------------	---------------	--------------	--------------

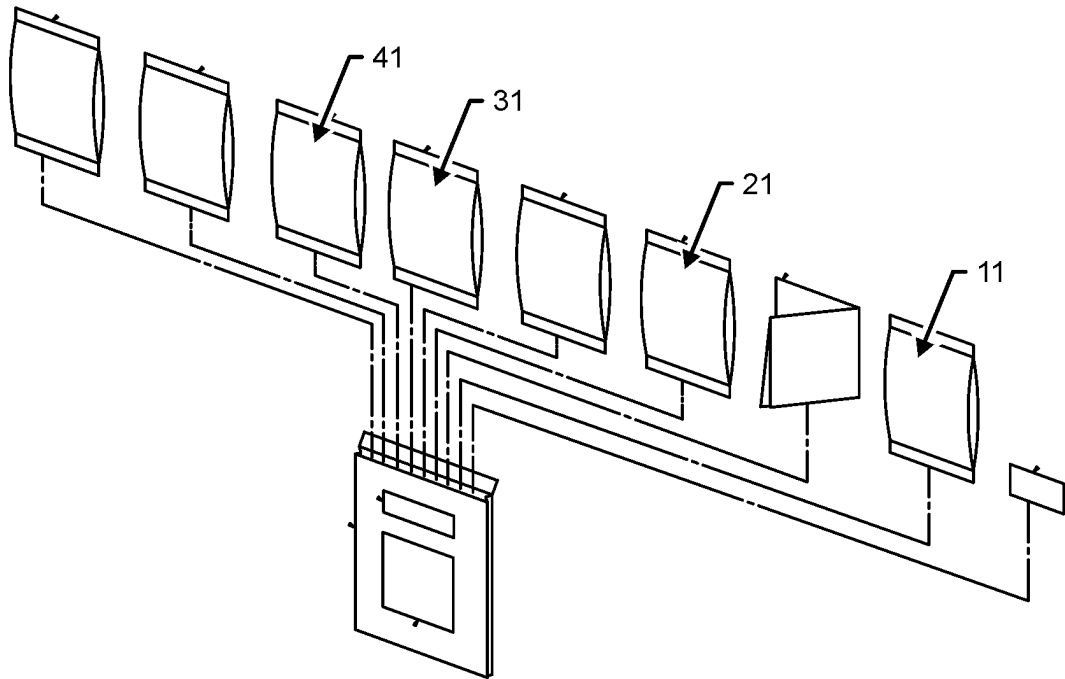
**Image 1:**

11	B1910010	GROMMET, GAS LINE (M27)
21	0163L00152	FITTING, GAS ADAPTER 1/2" (M27)
31	0163L00154	CONNECTOR, BULHEAD ELEC 1/2" (M27)
41	0163L00196	1 1/2" ELEC BULKHEAD CONNECTOR (M27)
NS	IOD-7118	INSTALLATION INSTRUCTIONS (M27)

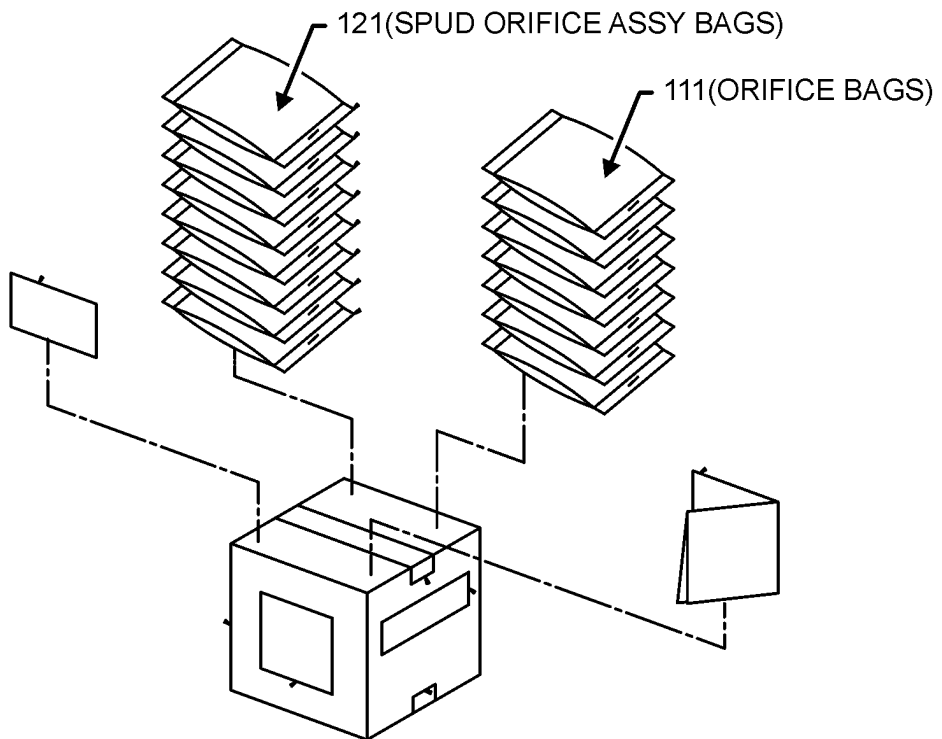
**Expanded Model Nomenclature**

- M1 - CONVOUTP36722
- M2 - CONVOUTP36724
- M3 - CONVOUTP36727
- M4 - DSC060A54YH01FI
- M5 - DSC100A54YH01FI
- M6 - DSC150A54YH01FI
- M7 - HAILGD036HE
- M8 - HAILGD048060HE
- M9 - HAILGD072HE
- M10 - HAKT036150
- M11 - HECH36230
- M12 - HECH36460
- M13 - HECH36575
- M14 - HECH4860230
- M15 - HECH4860460
- M16 - HECH4860575
- M17 - HGDRSMG01FI
- M18 - HGDRSMG02FI
- M19 - HGDRSMG03FI
- M20 - HGDRSM01FI
- M21 - HGDRSM02FI
- M22 - HGDRSM03FI
- M23 - LPHE-036072
- M24 - SDCKTP1FIS3
- M25 - SDRKTP1FIS3
- M26 - SDSKTP1FIS3
- M27 - TTBACKHE01
- M28 - 3PMKP3

PROPANE CONVERSION KIT (GAS ONLY)



HIGH ALTITUDE CONVERSION KIT (GAS ONLY)



**Ref. Part  
No: No:**

**Description:**

**Ref. Part  
No: No:**

**Description:**

**Image 1:**

11	0163F00000P	REGULATOR SPRING KIT WR (M23)
21	B40899125	ASSY SPUD ORIFICE 1.25MM (M23)
31	B2589908	#56 ORIFICE (M23)
41	0151K00000S	VALVE 36G PRESS CHK KIT SRVC (M23)
111	B2589901	#43 ORIFICE (M10)
111	B2589902	#44 ORIFICE (M10)
111	B2589904	#46 ORIFICE (M10)
111	B2589905	#47 ORIFICE (M10)
111	B2589906	#48 ORIFICE (M10)
111	B2589907	#49 ORIFICE (M10)
111	B4089945	GAS ORIFICE #45 (M10)
121	0163L00248	ASSY SPUD ORIFICE #35 (M10)
121	0163L00249	ASSY SPUD ORIFICE #36 (M10)
121	0163L00250	ASSY SPUD ORIFICE #37 (M10)
121	0163L00251	ASSY SPUD ORIFICE #38 (M10)
121	0163L00252	ASSY SPUD ORIFICE #39 (M10)
121	0163L00253	ASSY SPUD ORIFICE #40 (M10)
121	0163L00254	ASSY SPUD ORIFICE #41 (M10)
121	0163L00255	ASSY SPUD ORIFICE #42 (M10)
NS	IOD-7089B	INSTALLATION INSTRUCTIONS (HIGH ALT) (M10)
NS	IOD-7088B	INSTALLATION INSTRUCTIONS (LP CONV) (M23)

**Expanded Model Nomenclature**

M1 - CONVOUTP36722
M2 - CONVOUTP36724
M3 - CONVOUTP36727
M4 - DSC060A54YH01FI
M5 - DSC100A54YH01FI
M6 - DSC150A54YH01FI
M7 - HAILGD036HE
M8 - HAILGD048060HE
M9 - HAILGD072HE
M10 - HAKT036150
M11 - HECH36230
M12 - HECH36460
M13 - HECH36575
M14 - HECH4860230
M15 - HECH4860460
M16 - HECH4860575
M17 - HGDRSMG01FI
M18 - HGDRSMG02FI
M19 - HGDRSMG03FI
M20 - HGDRSM01FI
M21 - HGDRSM02FI
M22 - HGDRSM03FI
M23 - LPHE-036072
M24 - SDCKTP1FIS3
M25 - SDRKTP1FIS3
M26 - SDSKTP1FIS3
M27 - TTBACKHE01
M28 - 3PMKP3