



REPAIR PARTS

GMVC 96% Two Stage Variable Speed UF Furnace

GMVC960403BNBA
GMVC960403BNBB
GMVC960603BNBA
GMVC960603BNBB
GMVC960803BNBA
GMVC960803BNBB
GMVC960804CNBA
GMVC960804CNBB
GMVC961005CNBA
GMVC961005CNBB
GMVC961005DNBA
GMVC961005DNBB
GMVC961205DNBA
GMVC961205DNBB



This manual is to be used by qualified technicians only.

This manual replaces RP-G2315.

© 2018 , 2021 Goodman Manufacturing Company, L.P. ♦ 5151 San Felipe St, Suite 500 ♦ Houston, TX 77056

Important Information

Index

Functional Parts List	3
Illustration and Parts	4 - 11

Views shown are for parts illustrations only, not servicing procedures

Text Codes:

AR - As Required

NA - Not Available

NS - Not Shown

00000000 - See Note

QTY - Quantity Example (QTY 3) (If Quantity not shown, Quantity = 1)

M - Model Example (M1) (If M Code not shown, then part is used on all Models)

Expanded Model Nomenclature:

Example M1 - Model#1 M2 - Model#2 M3 - Model#3

Goodman Manufacturing Company, L.P. is not responsible for personal injury or property damage resulting from improper service. Review all service information before beginning repairs.

Warranty service must be performed by an authorized technician, using authorized factory parts. If service is required after the warranty expires, Goodman Manufacturing Company, L.P. also recommends contacting an authorized technician and using authorized factory parts.

Goodman Manufacturing Company, L.P. reserves the right to discontinue, or change at any time, specifications or designs without notice or without incurring obligations.

For assistance within the U.S.A. contact:
Homeowner Support
Goodman Manufacturing Company, L.P.
19001 Kermier Road
Waller, Texas 77484
877-254-4729-Telephone
713-863-2382-Facsimile

For assistance outside the U.S.A. contact:
International Division
Goodman Manufacturing Company, L.P.
19001 Kermier Road
Waller, Texas 77484
713-861-2500-Telephone
713-863-2382-Facsimile

Functional Parts

Part No: **Description:**

Part No:	Description:	Expanded Model Nomenclature
20162904	*PRIMARY LIMIT-TEMPERATURE CONTROL (M1, M2, M5, M6, M7, M8) *Refer to service bulletin SF-054	M1 - GMVC960403BNBA M2 - GMVC960403BNBB
0130F00038	AUX LIMIT - LT BLUE 120° (QTY 2)	M3 - GMVC960603BNBA
SHARED DATA	Available thru CoolCloud HVAC app.	M4 - GMVC960603BNBB
0163F00017	BECKETT BURNER (QTY 2)	M5 - GMVC960803BNBA
0271F00181	BLOWER HSG ASSY (M1, M2)	M6 - GMVC960803BNBB
0271F00161	BLOWER SHELL & WHEEL ASSY (M7, M8, M9, M10)	M7 - GMVC960804CNBA
0271F00163	BLOWER SHELL & WHEEL ASSY (M11, M12, M13, M14)	M8 - GMVC960804CNBB
0271F00159	BLOWER SHELL & WHEEL ASSY (M3, M4, M5, M6)	M9 - GMVC961005CNBA
0130F00010	FLAME SENSOR	M10 - GMVC961005CNBB
0151M00027	GAS VALVE	M11 - GMVC961005DNBA
0257F00239	HEAT EXCHANGER ASSY (M5, M6)	M12 - GMVC961005DNBB
0257F00374	HEAT EXCHANGER ASSY (M3, M4)	M13 - GMVC961205DNBA
0257F00333	HEAT EXCHANGER ASSY (M13, M14)	M14 - GMVC961205DNBB
0257F00240	HEAT EXCHANGER ASSY (M7, M8)	
0257F00236	HEAT EXCHANGER ASSY (M1, M2)	
0257F00280	HEAT EXCHANGER ASSY (M9, M10)	
0257F00440	HEAT EXCHANGER ASSY. (M11, M12)	
0130F00008	IGNITOR-SINI 17 SEC	
0130M00141	INDUCTOR, 5.9 AMPS (M7, M8, M9, M10, M11, M12, M13, M14)	
0130M00243	INTERLOCK SWITCH	
0130F00123	MANUAL RESET LIMIT (M5, M6, M7, M8)	
10123527	MANUAL RESET LIMIT (M11, M12, M13, M14)	
10123534	MANUAL RESET LIMIT 220°F (M9, M10)	
10123539	MANUAL RESET LIMIT-ORANGE (M1, M2, M3, M4)	
0131M00272	MOTOR, 1 HP, SERIAL ECM (M9, M10, M11, M12, M13, M14)	
0131M00270	MOTOR, 1/2 HP, SERIAL ECM (M1, M2, M3, M4, M5, M6)	
0131M00271	MOTOR, 3/4 HP, SERIAL ECM (M7, M8)	
0171M00002	MOTOR-ID, BLOWER	
PCBKF107	PCB, CONTROL BOARD (M1, M3, M5, M7, M9, M11, M13)	
PCBKF109	PCB, CONTROL BOARD (M2, M4, M6, M8, M10, M12, M14)	
0130F00485	PRESSURE SWITCH (M1, M2)	
0130F00433	PRESSURE SWITCH (M1, M2, M3, M4)	
0130F00434	PRESSURE SWITCH (M9, M10)	
0130F00436	PRESSURE SWITCH (M5, M6, M7, M8)	
0130F00443	PRESSURE SWITCH (M11, M12, M13, M14)	
0130F00429	PRESSURE SWITCH (M3, M4, M5, M6, M7, M8, M9, M10, M11, M12, M13, M14)	
0130F00036	PRIMARY LIMIT - PINK 180° (M11, M12, M13, M14)	
20162906	PRIMARY LIMIT - WHITE (M3, M4, M9, M10)	
0130M00140	TRANSFORMER 120V TO 24V, 40VA	
0150M00043	WHEEL, BLOWER 10X8 (M1, M2)	

SPECIAL PARTS

0161F00086 NAMEPLATE, GOODMAN

Cabinet Assembly

IMAGE 1

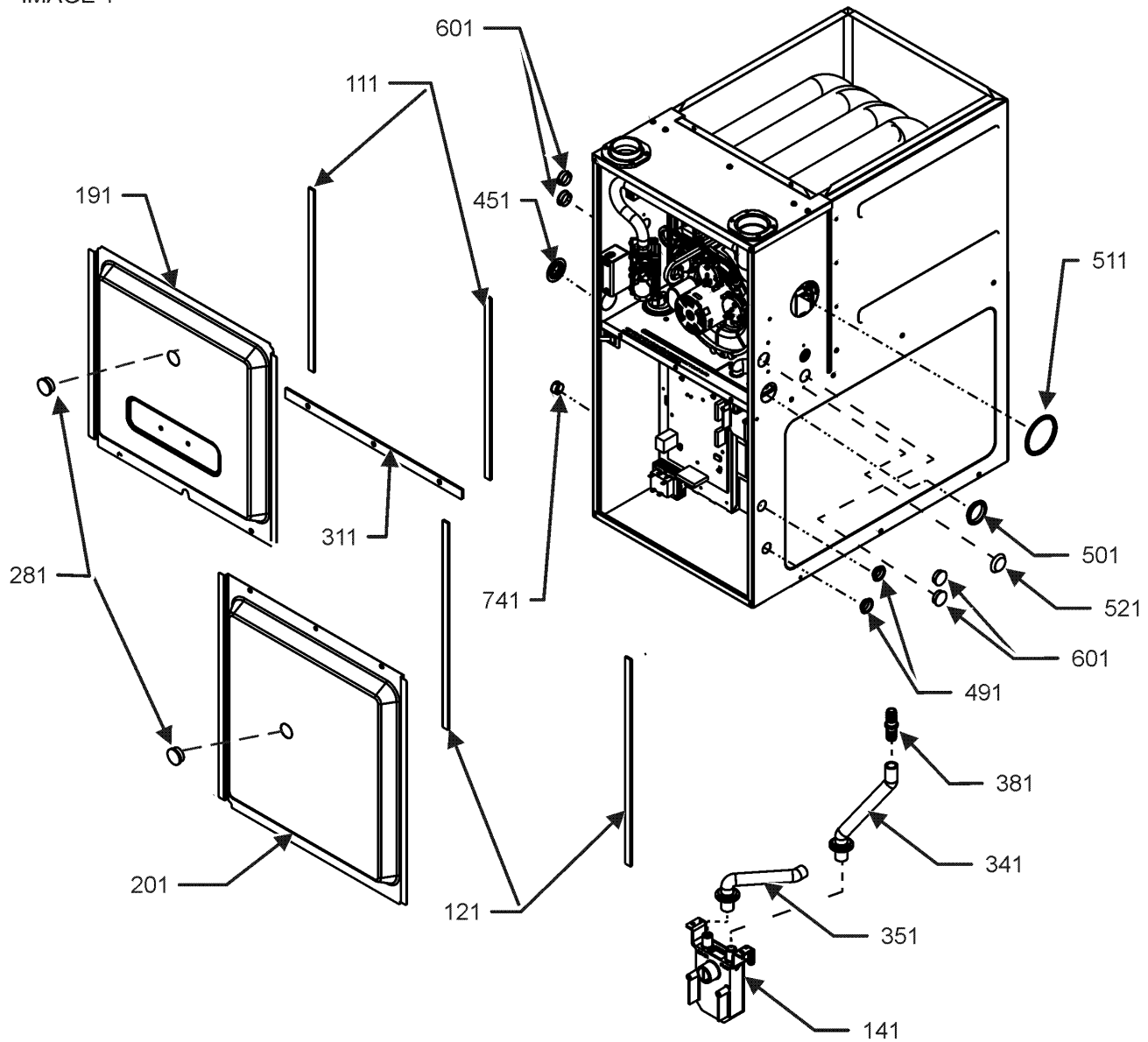
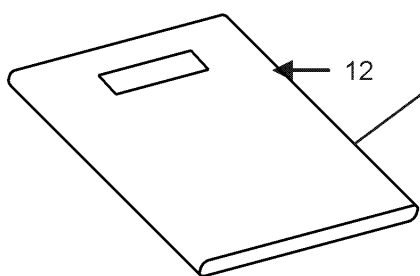
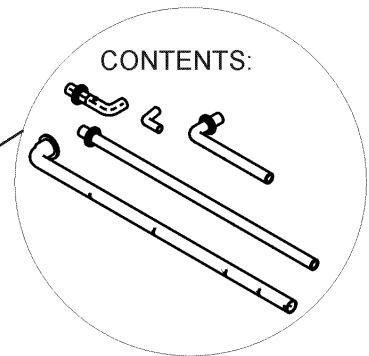
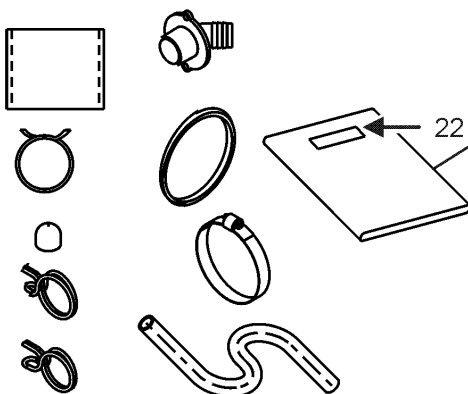


IMAGE 2



CONTENTS:



Cabinet Assembly

Ref. Part No:	Part No:	Description:	Ref. Part No:	Part No:	Description:
---------------	----------	--------------	---------------	----------	--------------

Image 1:

111	0154F00024	GASKET (QTY 2)
121	0154F00025	GASKET (QTY 2)
141	0161F00046	DRAIN TRAP
191	0121F00291DG	DOOR, ACCESS 17.5 PNT (M1, M2, M3, M4, M5, M6)
191	0121F00292DG	DOOR, ACCESS 21 PNT (M7, M8, M9, M10)
191	0121F00293DG	DOOR, ACCESS 24.5 PNT (M11, M12, M13, M14)
201	0121F00288DG	DOOR, BLOWER 17.5 PNT (M1, M2, M3, M4, M5, M6)
201	0121F00289DG	DOOR, BLOWER 21 PNT (M7, M8, M9, M10)
201	0121F00290DG	DOOR, BLOWER 24.5 PNT (M11, M12, M13, M14)
281	B1392139	VIEW PORT BUSHING-BLOWER DOOR (QTY 2)
311	0154F00020	GASKET, DECK (M1, M2, M3, M4, M5, M6)
311	0154F00021	GASKET, DECK (M7, M8, M9, M10)
311	0154F00022	GASKET, DECK (M11, M12, M13, M14)
341	0164F00017	HOSE-ELBOW/TRAP
351	0164F00006	HOSE, COVER/TRAP (M13, M14)
381	0161F00047	COUPLING, HOSE BARBED
451	M0501301	PIPE GROMMET
491	M0570808	BUTTON PLUG (QTY 3)
501	M0570806	BUTTON PLUG
511	M0570807	BUTTON PLUG
521	0161M00027	PLUG, HOLE
601	B1392021	PLASTIC PLUG, 1" (2713-BLK) (QTY 4)
741	B1392104	UNIVERSAL BUSHING UB 875
NS	M0310345	BUTTON PLUG (QTY 2)
NS	0163M00460	CLAMP-HOSE (QTY 2)
NS	0163M00319	HEX NUT-INSERT (QTY 3)
NS	0161F00086	NAMEPLATE, GOODMAN
NS	M0273904	RETAINER-SCREW (QTY 3)
NS	M0209730	SCREW-DECORATIVE (QTY 3)

Image 2:

12	0270F05248	DRAIN KIT ASSY
22	0270F05248	DRAIN KIT ASSY

Expanded Model Nomenclature

- M1 - GMVC960403BNBA
- M2 - GMVC960403BNBB
- M3 - GMVC960603BNBA
- M4 - GMVC960603BNBB
- M5 - GMVC960803BNBA
- M6 - GMVC960803BNBB
- M7 - GMVC960804CNBA
- M8 - GMVC960804CNBB
- M9 - GMVC961005CNBA
- M10 - GMVC961005CNBB
- M11 - GMVC961005DNBA
- M12 - GMVC961005DNBB
- M13 - GMVC961205DNBA
- M14 - GMVC961205DNBB

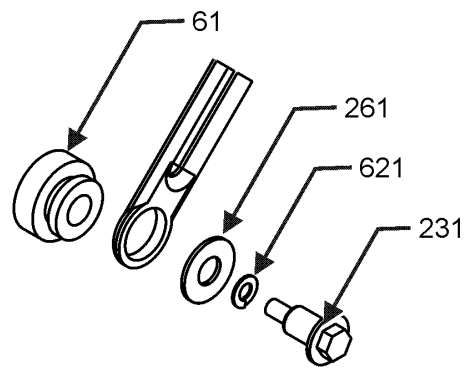
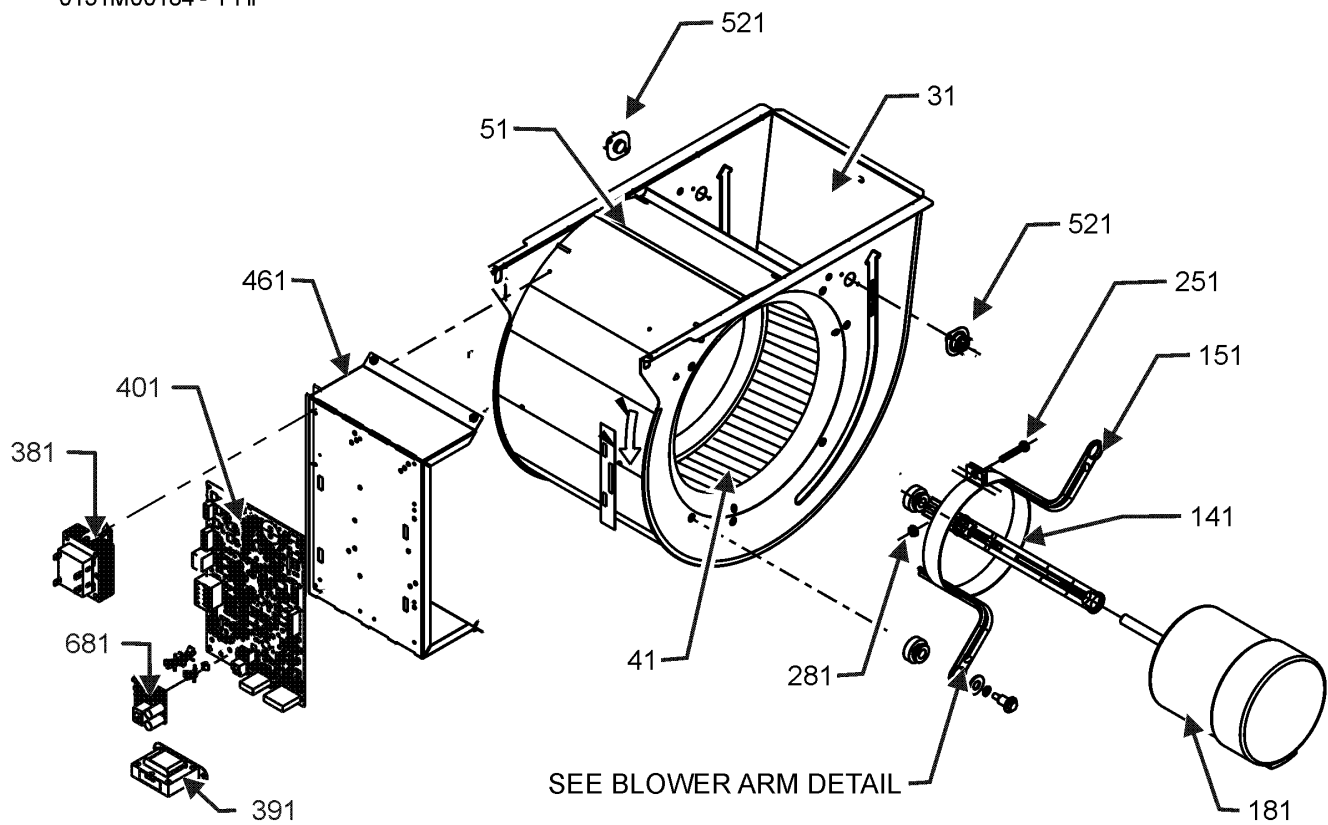
Blower Assembly

*If end bells are needed please order the following:

0131M00182 - 1/2 HP

0131M00183 - 3/4 HP

0131M00184 - 1 HP

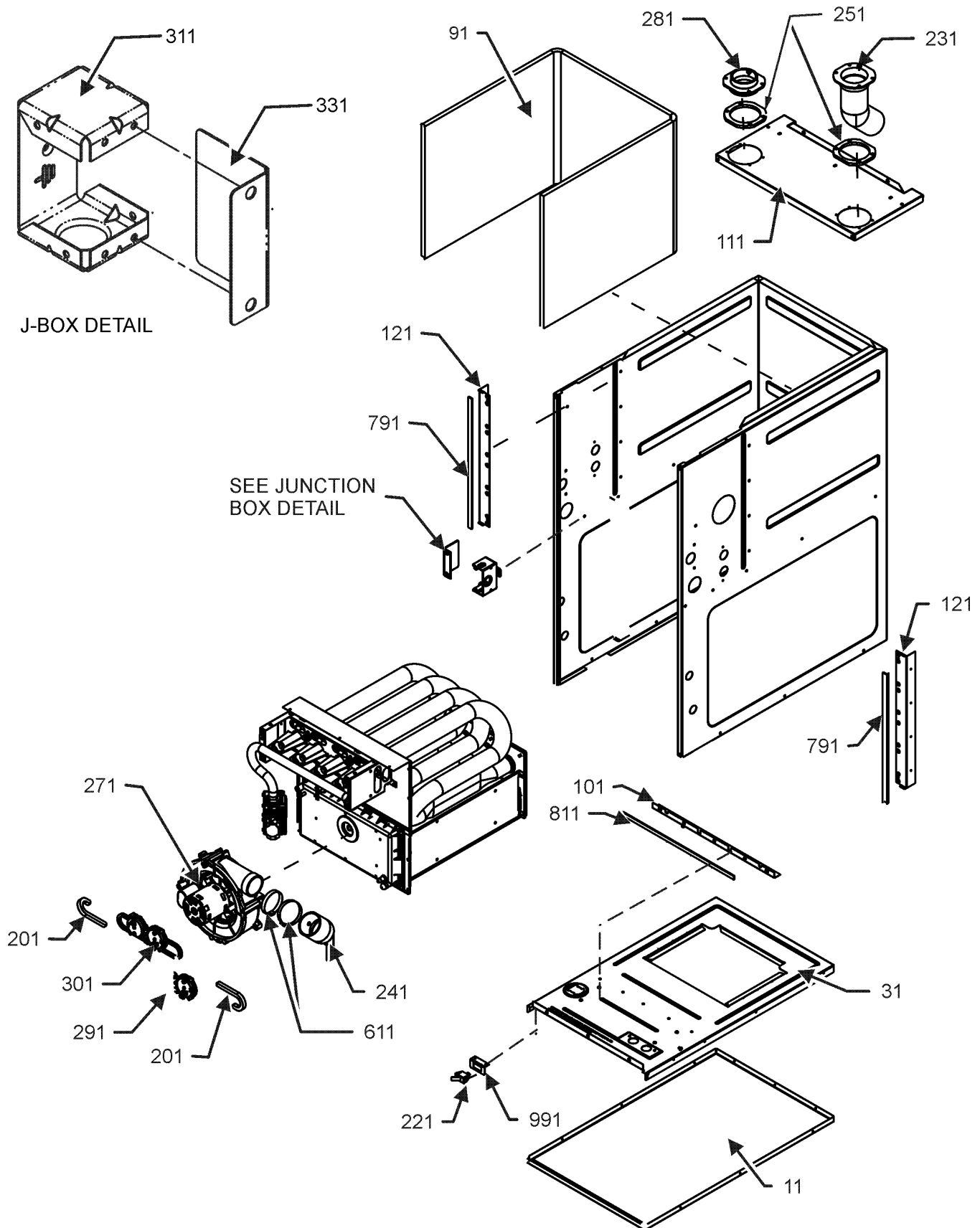


BLOWER ARM DETAIL

Blower Assembly

Ref. Part No:	Description:	Ref. Part No:	Description:
Image 1:		Expanded Model Nomenclature	
31	0271F00181 BLOWER HSG ASSY (M1, M2)	M1	GMVC960403BNBA
31	0271F00159 BLOWER SHELL & WHEEL ASSY (M3, M4, M5, M6)	M2	GMVC960403BNBB
31	0271F00161 BLOWER SHELL & WHEEL ASSY (M7, M8, M9, M10)	M3	GMVC960603BNBA
31	0271F00163 BLOWER SHELL & WHEEL ASSY (M11, M12, M13, M14)	M4	GMVC960603BNBB
41	0150M00043 WHEEL, BLOWER 10X8 (M1, M2)	M5	GMVC960803BNBA
51	764740 BLOWER BLOCK-OFF 10 X 8 (M1, M2)	M6	GMVC960803BNBB
61	A4002702 BLOWER MOTOR GROMMET (M7, M8, M9, M10, M11, M12, M13, M14)	M7	GMVC960804CNBA
141	0121M00038 MOTOR MOUNT BAND (M1, M2, M3, M4, M5, M6)	M8	GMVC960804CNBB
141	10441601 MOTOR MOUNT BAND (M7, M8, M9, M10, M11, M12, M13, M14)	M9	GMVC961005CNBA
151	10441501 MOTOR MOUNT ARM (M7, M8, M9, M10, M11, M12, M13, M14)	M10	GMVC961005CNBB
151	B1376857 MOTOR MOUNT ARM (M1, M2, M3, M4, M5, M6)	M11	GMVC961005DNBA
181	0131M00272 MOTOR, 1 HP, SERIAL ECM (M9, M10, M11, M12, M13, M14)	M12	GMVC961005DNBB
181	0131M00270 MOTOR, 1/2 HP, SERIAL ECM (M1, M2, M3, M4, M5, M6)	M13	GMVC961205DNBA
181	0131M00271 MOTOR, 3/4 HP, SERIAL ECM (M7, M8)	M14	GMVC961205DNBB
231	0163F00028 SCREW (M7, M8, M9, M10, M11, M12, M13, M14)	*If end bells are needed please order the following: 0131M00182 - 1/2 HP 0131M00183 - 3/4 HP 0131M00184 - 1 HP	
231	M0250565 TC SCREW 1.25" (M1, M2, M3, M4, M5, M6)		
251	M0267144 MACHINE SCREW (M7, M8, M9, M10, M11, M12, M13, M14)		
251	B1393323 MACHINE SCREW HWH 1/4-20 X 1-1/2 BZ (M1, M2, M3, M4, M5, M6)		
261	B1392918 WASHER, FLAT 1/4 ID X 1 OD (M1, M2, M3, M4, M5, M6)		
261	M0274008 WASHER-FLAT (M7, M8, M9, M10, M11, M12, M13, M14)		
281	M0282015 KEPS NUT (M7, M8, M9, M10, M11, M12, M13, M14)		
281	B1393800 LOCKNUT, NYLON, INSERT 1/4, 20 (M1, M2, M3, M4, M5, M6)		
381	0130M00140 TRANSFORMER 120V TO 24V, 40VA		
391	0130M00141 INDUCTOR, 5.9 AMPS (M7, M8, M9, M10, M11, M12, M13, M14)		
401	PCBKF107 PCB, CONTROL BOARD (M1, M3, M5, M7, M9, M11, M13)		
401	PCBKF109 PCB, CONTROL BOARD (M2, M4, M6, M8, M10, M12, M14)		
461	0121F00464 MOUNTING PLATE-CONTROLS		
521	0130F00038 AUX LIMIT - LT BLUE 120° (QTY 2)		
621	B1392820 WASHER, SPLIT LOCK 1/4 BZ (M7, M8, M9, M10, M11, M12, M13, M14)		
681	PCBCM100 PCB CONTROL (M1, M3, M5, M7, M9, M11, M13)		
NS	SHARED DATA Available thru CoolCloud HVAC app.		
NS	0159F00083 CABLE, RJ12 (M1, M3, M5, M7, M9, M11, M13)		
NS	0259F00040 CONTROL HARNESS		
NS	B1392021 PLASTIC PLUG, 1" (2713-BLK) (QTY 4)		
NS	0259F00041 POWER HARNESS HIGH VOLTAGE		
NS	0259F00024 WIRE HARNESS-BLOWER		

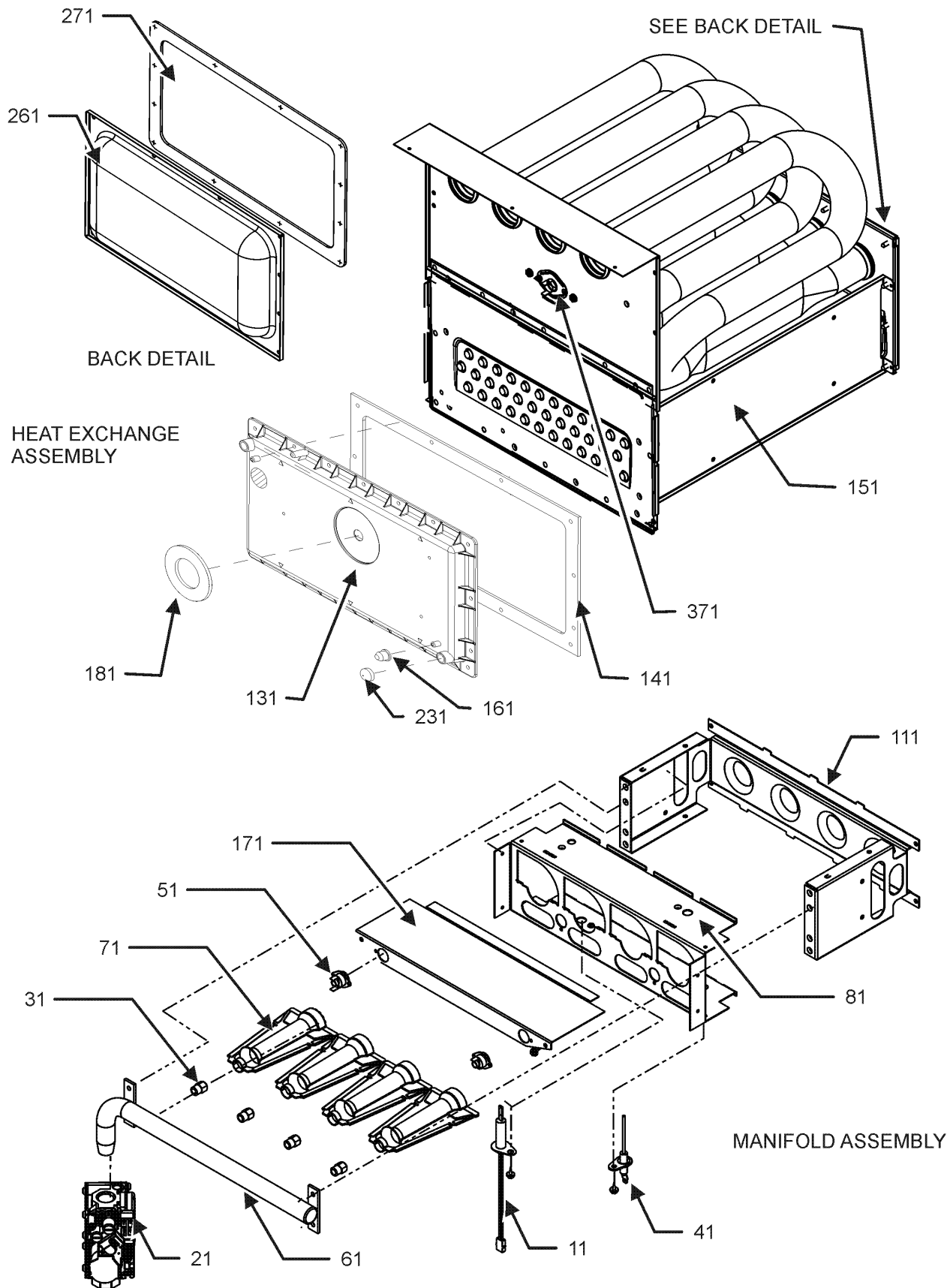
Chassis Assembly



Chassis Assembly

Ref. Part No:	Part No:	Description:	Ref. Part No:	Part No:	Description:
<i>Image 1:</i>			Expanded Model Nomenclature		
11	0121F00530DG	BASEPAN, 17.5 PNT (M1, M2, M3, M4, M5, M6)	M1	-	GMVC960403BNBA
11	0121F00531DG	BASEPAN, 21 PNT (M7, M8, M9, M10)	M2	-	GMVC960403BNBB
11	0121F00532DG	BASEPAN, 24.5 PNT (M11, M12, M13, M14)	M3	-	GMVC960603BNBA
31	0121F00533	DECK-BLOWER 17.5" (M1, M2, M3, M4, M5, M6)	M4	-	GMVC960603BNBB
31	0121F00534	DECK-BLOWER 21" (M7, M8, M9, M10)	M5	-	GMVC960803BNBA
31	0121F00535	DECK-BLOWER 24.5" (M11, M12, M13, M14)	M6	-	GMVC960803BNBB
91	0160F00015	INSULATION, HT EXCHANGER 17.5" (M1, M2, M3, M4, M5, M6)	M7	-	GMVC960804CNBA
91	0160F00016	INSULATION, HT EXCHANGER 21" (M7, M8, M9, M10)	M8	-	GMVC960804CNBB
91	0160F00017	INSULATION, HT EXCHANGER 24.5" (M11, M12, M13, M14)	M9	-	GMVC961005CNBA
101	0121F00314	ANGLE, DECK (M1, M2, M3, M4, M5, M6)	M10	-	GMVC961005CNBB
101	0121F00315	ANGLE, DECK (M7, M8, M9, M10)	M11	-	GMVC961005DNBA
101	0121F00316	ANGLE, DECK (M11, M12, M13, M14)	M12	-	GMVC961005DNBB
111	0121F00279DG	PAINTED TOP, FURNACE 17.5 (M1, M2, M3, M4, M5, M6)	M13	-	GMVC961205DNBA
111	0121F00280DG	PAINTED TOP, FURNACE 21 (M7, M8, M9, M10)	M14	-	GMVC961205DNBB
111	0121F00281DG	PAINTED TOP, FURNACE 24.5 (M11, M12, M13, M14)			
121	0121F00313	ANGLE, SIDE (QTY 2)			
201	0164M00019	HOSE-PRESSURE SW 6" (QTY 2)			
221	0130M00243	INTERLOCK SWITCH			
231	0164F00002	FLUE PIPE W/BEND			
241	0164F00001	ELBOW-FLUE, UPFLOW			
251	0154F00041	FRESH AIR GASKET (QTY 2)			
271	0171M00002	MOTOR-ID, BLOWER			
281	0161F00037	COUPLING			
291	0130F00429	PRESSURE SWITCH (M3, M4, M5, M6, M7, M8, M9, M10, M11, M12, M13, M14)			
291	0130F00485	PRESSURE SWITCH (M1, M2)			
301	0130F00433	PRESSURE SWITCH (M1, M2, M3, M4)			
301	0130F00434	PRESSURE SWITCH (M9, M10)			
301	0130F00436	PRESSURE SWITCH (M5, M6, M7, M8)			
301	0130F00443	PRESSURE SWITCH (M11, M12, M13, M14)			
311	0161F00042	JUNCTION BOX PLA			
331	0161F00043	JUNCTION BOX LID			
611	0163M00460	CLAMP HOSE (QTY 2)			
791	0154F00015	GASKET (QTY 2)			
811	0154F00014	GASKET (M1, M2, M3, M4, M5, M6)			
811	0154F00016	GASKET (M7, M8, M9, M10)			
811	20194607	GASKET (M11, M12, M13, M14)			
991	0121F00389	BRACKET, DOOR SWITCH			
NS	0259F00040	CONTROL HARNESS			
NS	M0326804	PLUG-TUBE			
NS	0259F00041	POWER HARNESS HIGH VOLTAGE			
NS	0259F00024	WIRE HARNESS-BLOWER			

Heat Exchange Assembly



Heat Exchange Assembly

Ref. Part No:	Ref. Part No:	Description:	Description:
Image 1:		Image 1:	
11	0130F00008	IGNITOR-SINI 17 SEC	271 0154F00037 GASKET, REAR CVR (M1, M2, M3, M4, M5, M6)
21	0151M00027	GAS VALVE	271 0154F00038 GASKET, REAR CVR (M7, M8, M9, M10)
31	10716005	ORIFICE (QTY 2)	271 0154F00039 GASKET, REAR CVR (M11, M12, M13, M14)
41	0130F00010	FLAME SENSOR	371 20162904 *PRIMARY LIMIT-TEMPERATURE CONTROL (M1, M2, M5, M6, M7, M8)
51	0130F00123	MANUAL RESET LIMIT (M5, M6, M7, M8)	*Refer to service bulletin SF-054
51	10123527	MANUAL RESET LIMIT (M11, M12, M13, M14)	371 0130F00036 PRIMARY LIMIT - PINK 180° (M11, M12, M13, M14)
51	10123534	MANUAL RESET LIMIT 220°F (M9, M10)	371 20162906 PRIMARY LIMIT - WHITE (M3, M4, M9, M10)
51	10123539	MANUAL RESET LIMIT-ORANGE (M1, M2, M3, M4)	NS 0121F00415 AIR FURN BAFFLE
61	0163F00007	MANIFOLD (M1, M2)	NS 0121F00585 INSULATION, RETAINER (M11, M12, M13, M14)
61	0163F00008	MANIFOLD (M3, M4)	NS 0121F00439 PRIMARY LIMIT-HEAT SHIELD
61	0163F00009	MANIFOLD (M7, M8)	NS 0121F00355 SHIELD, COIL (QTY 2)
61	0163F00010	MANIFOLD (M9, M10, M11, M12)	
61	0163F00011	MANIFOLD (M13, M14)	
61	0163F00014	MANIFOLD (M5, M6)	
71	0163F00017	BECKETT BURNER (QTY 2)	
81	0121F00456	BRACKET-BURNER 2 (M1, M2)	
81	0121F00455	BRACKET-BURNER 3 (M3, M4)	
81	0121F00454	BRACKET-BURNER 4 (M5, M6, M7, M8)	
81	0121F00453	BRACKET-BURNER 5 (M9, M10, M11, M12)	
81	0121F00451	BRACKET-BURNER 6 (M13, M14)	
111	0121F00469	ORIFICE BRACKET-BURNER 2 (M1, M2)	
111	0121F00468	ORIFICE BRACKET-BURNER 3 (M3, M4)	
111	0121F00467	ORIFICE BRACKET-BURNER 4 (M5, M6, M7, M8)	
111	0121F00466	ORIFICE BRACKET-BURNER 5 (M9, M10, M11, M12)	
111	0121F00465	ORIFICE BRACKET-BURNER 6 (M13, M14)	
131	0161F00022	COVER, FRONT (M5, M6)	
131	0161F00026	COVER, FRONT (M9, M10)	
131	0161F00030	COVER, FRONT (M7, M8)	
131	0161F00053	COVER, FRONT (M1, M2)	
131	0161F00054	COVER, FRONT (M3, M4)	
131	0161F00063	COVER, FRONT (M13, M14)	
131	0161F00084	COVER, FRONT (M11, M12)	
141	0154F00026	GASKET FRONT COVER (M1, M2, M3, M4, M5, M6)	
141	0154F00030	GASKET FRONT COVER (M7, M8, M9, M10)	
141	0154F00034	GASKET FRONT COVER (M11, M12, M13, M14)	
151	0257F00236	HEAT EXCHANGER ASSY (M1, M2)	
151	0257F00239	HEAT EXCHANGER ASSY (M5, M6)	
151	0257F00240	HEAT EXCHANGER ASSY (M7, M8)	
151	0257F00280	HEAT EXCHANGER ASSY (M9, M10)	
151	0257F00333	HEAT EXCHANGER ASSY (M13, M14)	
151	0257F00374	HEAT EXCHANGER ASSY (M3, M4)	
151	0257F00440	HEAT EXCHANGER ASSY. (M11, M12)	
161	M0326804	TUBE PLUG	
171	0121F00539	SHEILD, BURNER (M1, M2)	
171	0121F00540	SHEILD, BURNER (M3, M4)	
171	0121F00541	SHEILD, BURNER (M5, M6, M7, M8)	
171	0121F00542	SHEILD, BURNER (M9, M10, M11, M12)	
171	0121F00543	SHEILD, BURNER (M13, M14)	
181	0154F00043	GASKET ID BLOWER	
231	A1781105	CAP-VINYL .500	
261	0121F00317	COVER, REAR (M1, M2, M3, M4, M5, M6)	
261	0121F00318	COVER, REAR (M7, M8, M9, M10)	
261	0121F00319	COVER, REAR (M11, M12, M13, M14)	

Expanded Model Nomenclature

M1 - GMVC960403BNBA
M2 - GMVC960403BNBB
M3 - GMVC960603BNBA
M4 - GMVC960603BNBB
M5 - GMVC960803BNBA
M6 - GMVC960803BNBB
M7 - GMVC960804CNBA
M8 - GMVC960804CNBB
M9 - GMVC961005CNBA
M10 - GMVC961005CNBB
M11 - GMVC961005DNBA
M12 - GMVC961005DNBB
M13 - GMVC961205DNBA
M14 - GMVC961205DNBB