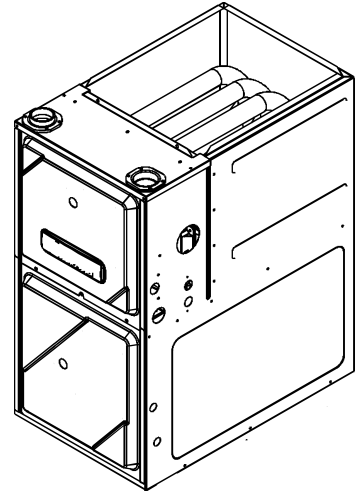


---

**GMES 92% High Efficient Furnace**

GMES920403ANAA  
GMES920603BNAA  
GMES920803BNAA  
GMES920804CNAA  
GMES920805CNAA  
GMES921004CNAA  
GMES921005CNAA  
GMES921205DNAA



This manual is to be used by qualified technicians only.

© 2019 Goodman Manufacturing Company, L.P. ♦ 5151 San Felipe St, Suite 500 ♦ Houston, TX 77056

# Important Information

---

## Index

Functional Parts List .....	3
Illustration and Parts .....	4 - 11

*Views shown are for parts illustrations only, not servicing procedures*

### Text Codes:

AR - As Required

NA - Not Available

NS - Not Shown

00000000 - See Note

QTY - Quantity Example (QTY 3) (If Quantity not shown, Quantity = 1)

M - Model Example (M1) (If M Code not shown, then part is used on all Models)

### Expanded Model Nomenclature:

Example M1 - Model#1 M2 - Model#2 M3 - Model#3
---

Goodman Manufacturing Company, L.P. is not responsible for personal injury or property damage resulting from improper service. Review all service information before beginning repairs.

Warranty service must be performed by an authorized technician, using authorized factory parts. If service is required after the warranty expires, Goodman Manufacturing Company, L.P. also recommends contacting an authorized technician and using authorized factory parts.

Goodman Manufacturing Company, L.P. reserves the right to discontinue, or change at any time, specifications or designs without notice or without incurring obligations.

For assistance within the U.S.A. contact:  
Homeowner Support  
Goodman Manufacturing Company, L.P.  
19001 Kermier Road  
Waller, Texas 77484  
877-254-4729-Telephone  
713-863-2382-Facsimile

For assistance outside the U.S.A. contact:  
International Division  
Goodman Manufacturing Company, L.P.  
19001 Kermier Road  
Waller, Texas 77484  
713-861-2500-Telephone  
713-863-2382-Facsimile

# Functional Parts

**Part No:**            **Description:**

20162904	*PRIMARY LIMIT-TEMPERATURE CONTROL (M8) *Refer to service bulletin SF-054
0163F00017	BECKETT BURNER (QTY 2)
0271F00181	BLOWER HSG ASSY (M2, M3)
0271F00182	BLOWER HSG ASSY (M4, M6)
0271F00323	BLOWER HSG ASSY (M1)
0271F00163	BLOWER SHELL & WHEEL ASSY (M8)
0271F00161	BLOWER SHELL & WHEEL ASSY (M5, M7)
PCBBF145	CIRCUIT BOARD
0130F00010	FLAME SENSOR
0151M00037	GAS VALVE
0257F00296	HEAT EXCHANGER ASSY (M4, M5)
0257F00449	HEAT EXCHANGER ASSY (M1)
0257F00286	HEAT EXCHANGER ASSY (M8)
0257F00283	HEAT EXCHANGER ASSY (M2)
0257F00281	HEAT EXCHANGER ASSY (M6, M7)
0257F00211	HEAT EXCHANGER ASSY (M3)
0130F00008	IGNITOR-SINI 17 SEC
0130M00243	INTERLOCK SWITCH
0130F00036	LIMIT, PRIMARY, 180, PINK (M2, M4)
20162903	LIMIT-BLUE (M1, M5, M6)
20162907	LIMIT-ORANGE (M7)
20162906	LIMIT-WHITE (M3)
10123534	MANUAL RESET LIMIT - ROS (M4)
0130F00123	MANUAL RESET LIMIT - ROS (M2)
10123539	MANUAL RESET LIMIT - ROS (M3, M5, M6, M7)
10123529	MANUAL RESET LIMIT - ROS (M8)
10123538	MANUAL RESET LIMIT - ROS (M1)
0131F00112	MOTOR X-13, BLOWER 1/2 H.P. (M1, M2, M3)
0131F00114	MOTOR X-13, BLOWER 1H.P. (M5, M7, M8)
0131F00113	MOTOR X-13, BLOWER 3/4 H.P. (M4, M6)
0131F00136	MOTOR, PROGRAM-X13 (M2)
0131F00140	MOTOR, PROGRAM-X13 (M6)
0131F00139	MOTOR, PROGRAM-X13 (M5)
0131F00138	MOTOR, PROGRAM-X13 (M4)
0131F00141	MOTOR, PROGRAM-X13 (M7)
0131F00137	MOTOR, PROGRAM-X13 (M3)
0131F00135	MOTOR, PROGRAM-X13 (M1)
0131F00142	MOTOR, PROGRAM-X13 (M8)
0130F00442	PRESSURE SWITCH (M2, M4, M5, M8)
0130F00641	PRESSURE SWITCH (M1)
0130F00441	PRESSURE SWITCH (M3, M6, M7)
0130F00038	PRIMARY LIMIT - LT BLUE 120° (QTY 2)
0130M00140	TRANSFORMER 120V TO 24V, 40VA
0150M00042	WHEEL, BLOWER (10 X 10) (M4, M6)
0150M00043	WHEEL, BLOWER (10 X 8) (M2, M3)

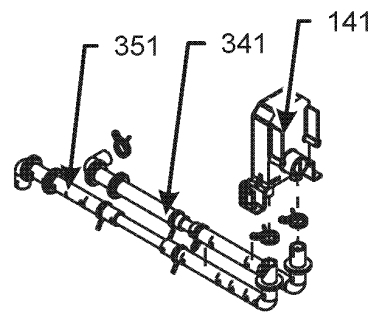
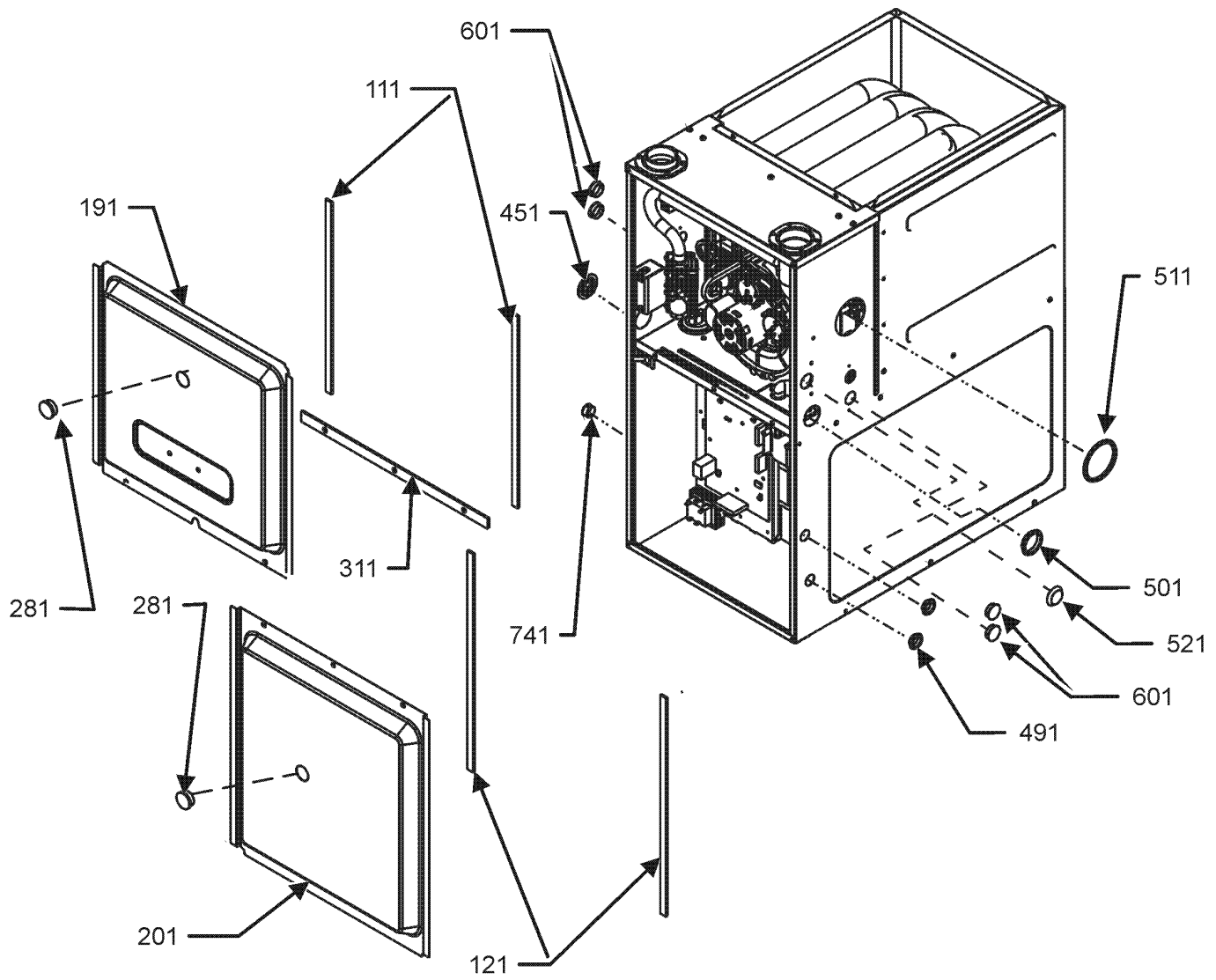
## Expanded Model Nomenclature

M1 - GMES920403ANAA
M2 - GMES920603BNAA
M3 - GMES920803BNAA
M4 - GMES920804CNAA
M5 - GMES920805CNAA
M6 - GMES921004CNAA
M7 - GMES921005CNAA
M8 - GMES921205DNAA

### SPECIAL PARTS

0161F00086	NAMEPLATE, GOODMAN
------------	--------------------

# Cabinet Assembly



DRAIN TRAP ASSEMBLY

# Cabinet Assembly

Ref. Part No:	Part No:	Description:	Ref. Part No:	Part No:	Description:
---------------	----------	--------------	---------------	----------	--------------

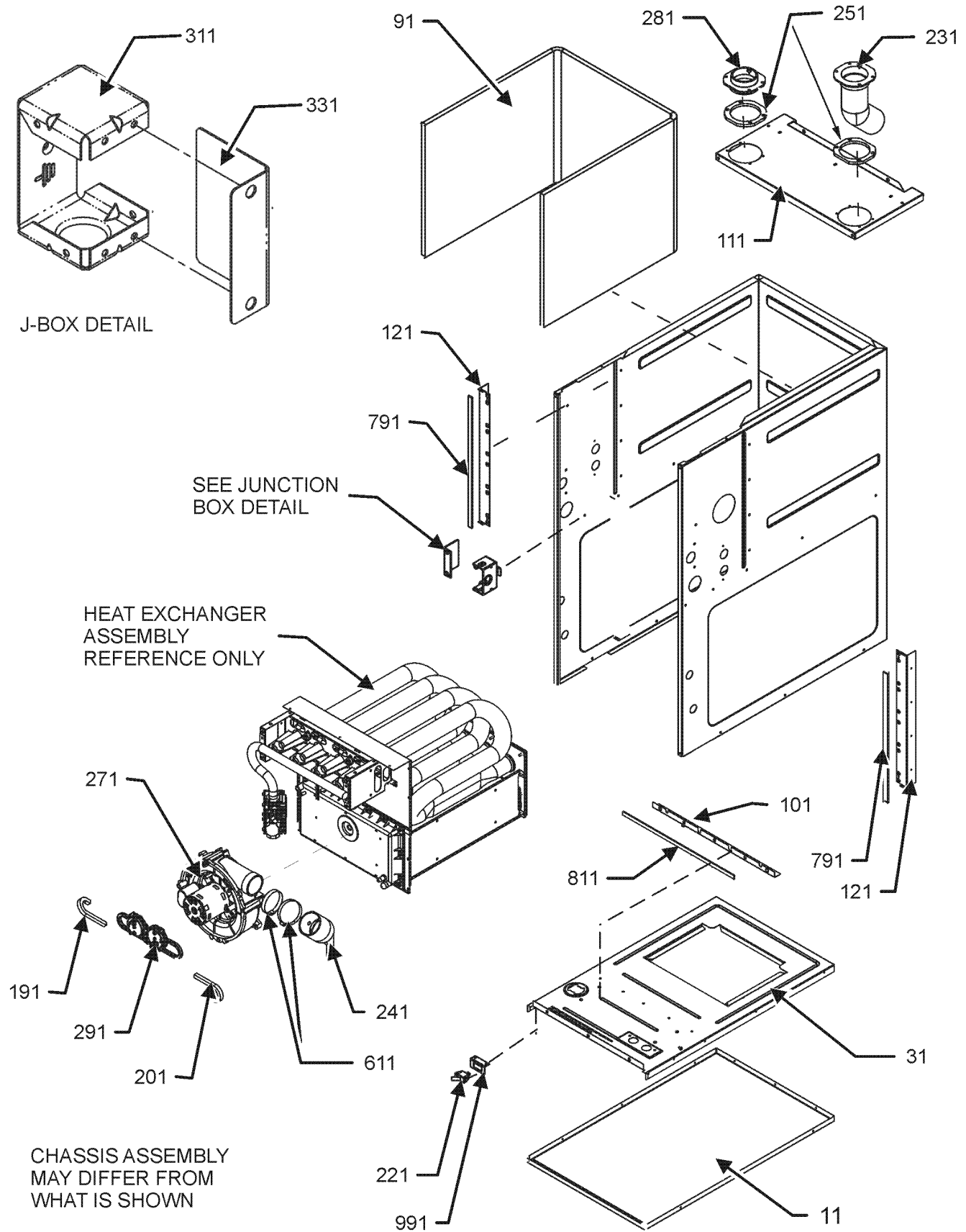
**Image 1:**

111	0154F00024	GASKET (QTY 2)
121	0154F00025	GASKET (QTY 2)
141	0161F00046	DRAIN TRAP
191	0121F00291DG	DOOR, ACCESS 17.5 PNT (M2, M3)
191	0121F00292DG	DOOR, ACCESS 21 PNT (M4, M5, M6, M7)
191	0121F00293DG	DOOR, ACCESS 24.5 PNT (M8)
191	0121F00674DG	PNT, DOOR, ACCESS 14" (M1)
201	0121F00288DG	DOOR, BLOWER 17.5 PNT (M2, M3)
201	0121F00289DG	DOOR, BLOWER 21 PNT (M4, M5, M6, M7)
201	0121F00290DG	DOOR, BLOWER 24.5 PNT (M8)
201	0121F00672DG	PNT, DOOR, BLOWER 14" (M1)
281	B1392139	VIEW PORT BUSHING-BLOWER DOOR (QTY 2)
311	0154F00020	GASKET, DECK (M2, M3)
311	0154F00021	GASKET, DECK (M4, M5, M6, M7)
311	0154F00022	GASKET, DECK (M8)
311	0154F00063	GASKET, DECK (M1)
341	0164F00017	HOSE-ELBOW/TRAP
351	0164F00020	DRAIN HOSE (M1)
351	0164F00006	HOSE, COVER/TRAP (M2, M3, M4, M5, M6, M7, M8)
381	0161F00047	COUPLING, HOSE BARBED
451	M0501301	PIPE GROMMET
491	M0570808	BUTTON PLUG (QTY 3)
501	M0570806	BUTTON PLUG
511	M0570807	BUTTON PLUG
521	0161M00027	PLUG, HOLE (M1, M2, M3, M6, M7)
601	B1392021	PLASTIC PLUG, 1" (2713-BLK) (QTY 4)
741	B1392104	UNIVERSAL BUSHING UB 875
NS	M0310345	BUTTON PLUG (QTY 2)
NS	0270F04115	DRAIN KIT ASSY UF
NS	0163M00319	HEX NUT-INSERT (QTY 3)
NS	0161F00086	NAMEPLATE, GOODMAN
NS	M0273904	RETAINER-SCREW (QTY 3)
NS	M0209730	SCREW-DECORATIVE (QTY 3)

**Expanded Model Nomenclature**

- |                     |
|---------------------|
| M1 - GMES920403ANAA |
| M2 - GMES920603BNAA |
| M3 - GMES920803BNAA |
| M4 - GMES920804CNAA |
| M5 - GMES920805CNAA |
| M6 - GMES921004CNAA |
| M7 - GMES921005CNAA |
| M8 - GMES921205DNAA |

# Chassis Assembly



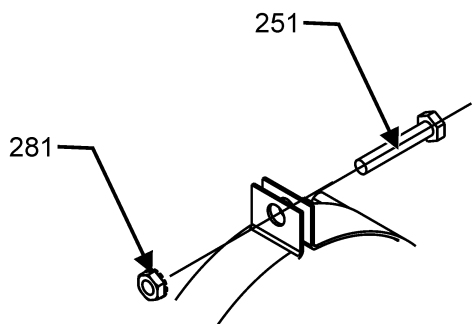
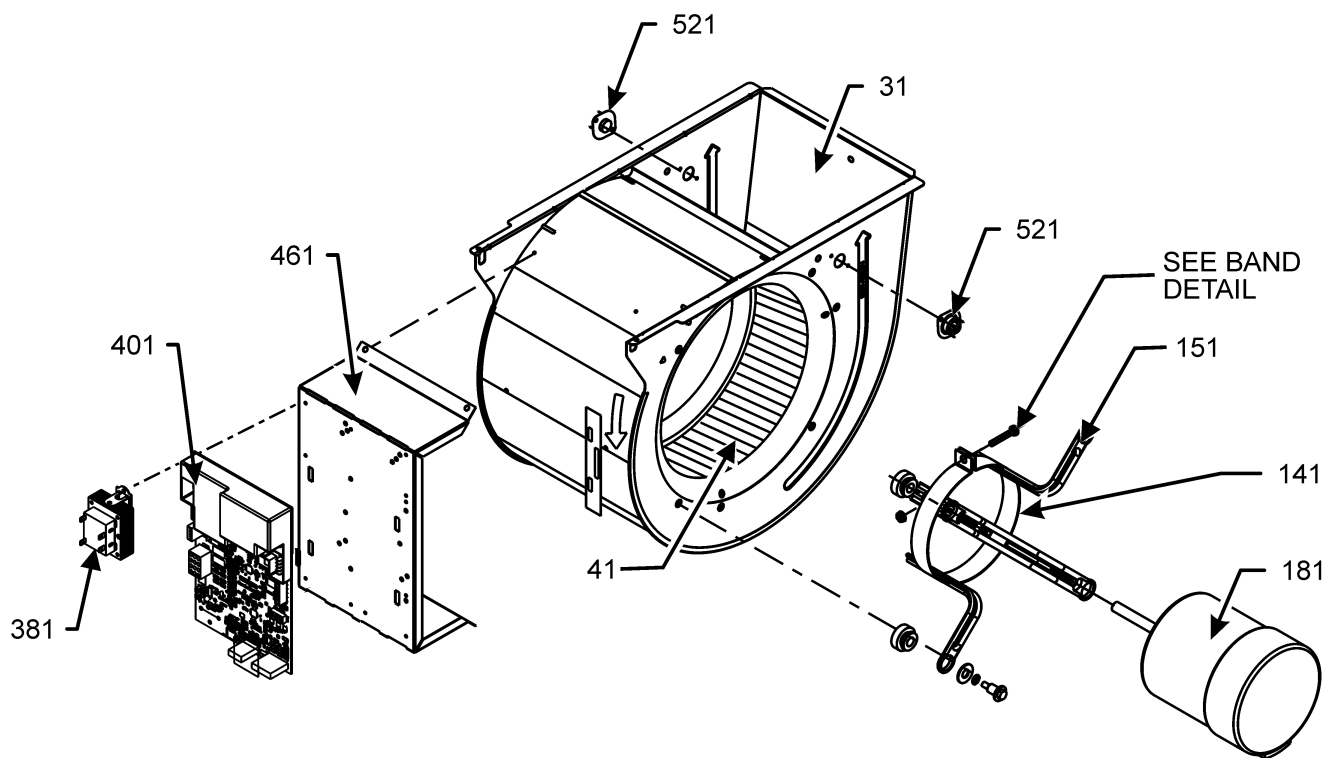
# Chassis Assembly

Ref. Part No:	Ref. Part No:	Description:	Description:
<b>Image 1:</b>		<b>Expanded Model Nomenclature</b>	
11	0121F00530DG	BASEPAN, 17.5 (M2, M3)	M1 - GMES920403ANAA
11	0121F00531DG	BASEPAN, 21 PNT (M4, M5, M6, M7)	M2 - GMES920603BNA A
11	0121F00532DG	BASEPAN, 24.5 PNT (M8)	M3 - GMES920803BNA A
11	0121F00664DG	BASEPAN, 14 PNT (M1)	M4 - GMES920804CNA A
31	0121F00663	DECK, BLOWER 14" (M1)	M5 - GMES920805CNA A
31	0121F00533	DECK-BLOWER 17.5" (M2, M3)	M6 - GMES921004CNA A
31	0121F00534	DECK-BLOWER 21" (M4, M5, M6, M7)	M7 - GMES921005CNA A
31	0121F00535	DECK-BLOWER 24.5" (M8)	M8 - GMES921205DNA A
91	0160F00025	INSULATION, HT EXCHANGER (M1)	
91	0160F00015	INSULATION, HT EXCHANGER 17.5" (M2, M3)	
91	0160F00016	INSULATION, HT EXCHANGER 21" (M4, M5, M6, M7)	
91	0160F00017	INSULATION, HT EXCHANGER 24.5" (M8)	
101	0121F00314	ANGLE, DECK (M2, M3)	
101	0121F00315	ANGLE, DECK (M4, M5, M6, M7)	
101	0121F00316	ANGLE, DECK (M8)	
101	0121F00661	ANGLE, DECK (M1)	
111	0121F00279DG	PAINTED TOP, FURNACE 17.5 (M2, M3)	
111	0121F00280DG	PAINTED TOP, FURNACE 21 (M4, M5, M6, M7)	
111	0121F00281DG	PAINTED TOP, FURNACE 24.5 (M8)	
111	0121F00662DG	PNT, FURNACE TOP 14" (M1)	
121	0121F00313	SIDE ANGLE (QTY 2)	
191	0164M00015	PRESSURE SWITCH HOSE	
201	0164M00008	PRESSURE SWITCH HOSE (M2, M3, M4, M5, M6, M7, M8)	
201	0164M00009	PRESSURE SWITCH HOSE (M1)	
221	0130M00243	INTERLOCK SWITCH	
231	0164F00002	FLUE PIPE W/BEND	
241	0164F00001	ELBOW-FLUE, UPFLOW	
251	0154F00041	FRESH AIR GASKET (QTY 2)	
271	0171M00008	MOTOR, ID BLOWER (M1)	
271	0171M00001	MOTOR-ID, BLOWER (M2, M3, M4, M5, M6, M7, M8)	
281	0161F00037	COUPLING	
291	0130F00441	PRESSURE SWITCH (M3, M6, M7)	
291	0130F00442	PRESSURE SWITCH (M2, M4, M5, M8)	
291	0130F00641	PRESSURE SWITCH (M1)	
311	0161F00042	JUNCTION BOX PLA	
331	0161F00043	JUNCTION BOX LID	
611	0163M00460	CLAMP-HOSE (QTY 2)	
791	0154F00015	GASKET (QTY 2)	
811	0154F00064	GASKET (M1)	
811	20179307	GASKET (M8)	
811	20179309	GASKET (M2, M3)	
811	20179310	GASKET (M4, M5, M6, M7)	
991	0121F00389	BRACKET, DOOR SWITCH	
NS	0159F00067	HARNESS, WIRING (M4, M5, M6, M7, M8)	
NS	0159F00098	HARNESS, WIRING (M1, M2, M3)	
NS	M0326804	PLUG-TUBE	
NS	0159F00076	WIRING HARNESS	

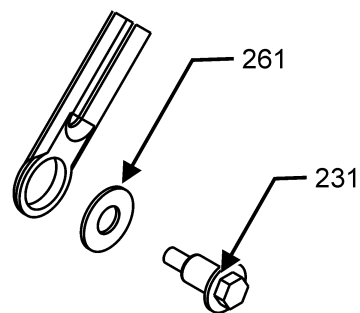
# Blower Assembly

## BLOWER ASSEMBLY

\*If end bells are needed please order the following:  
0131M00182 - 1/2 HP  
0131M00183 - 3/4 HP  
0131M00184 - 1 HP



BAND DETAIL



BLOWER ARM DETAIL

BLOWER ASSEMBLY MAY DIFFER FROM WHAT IS SHOWN



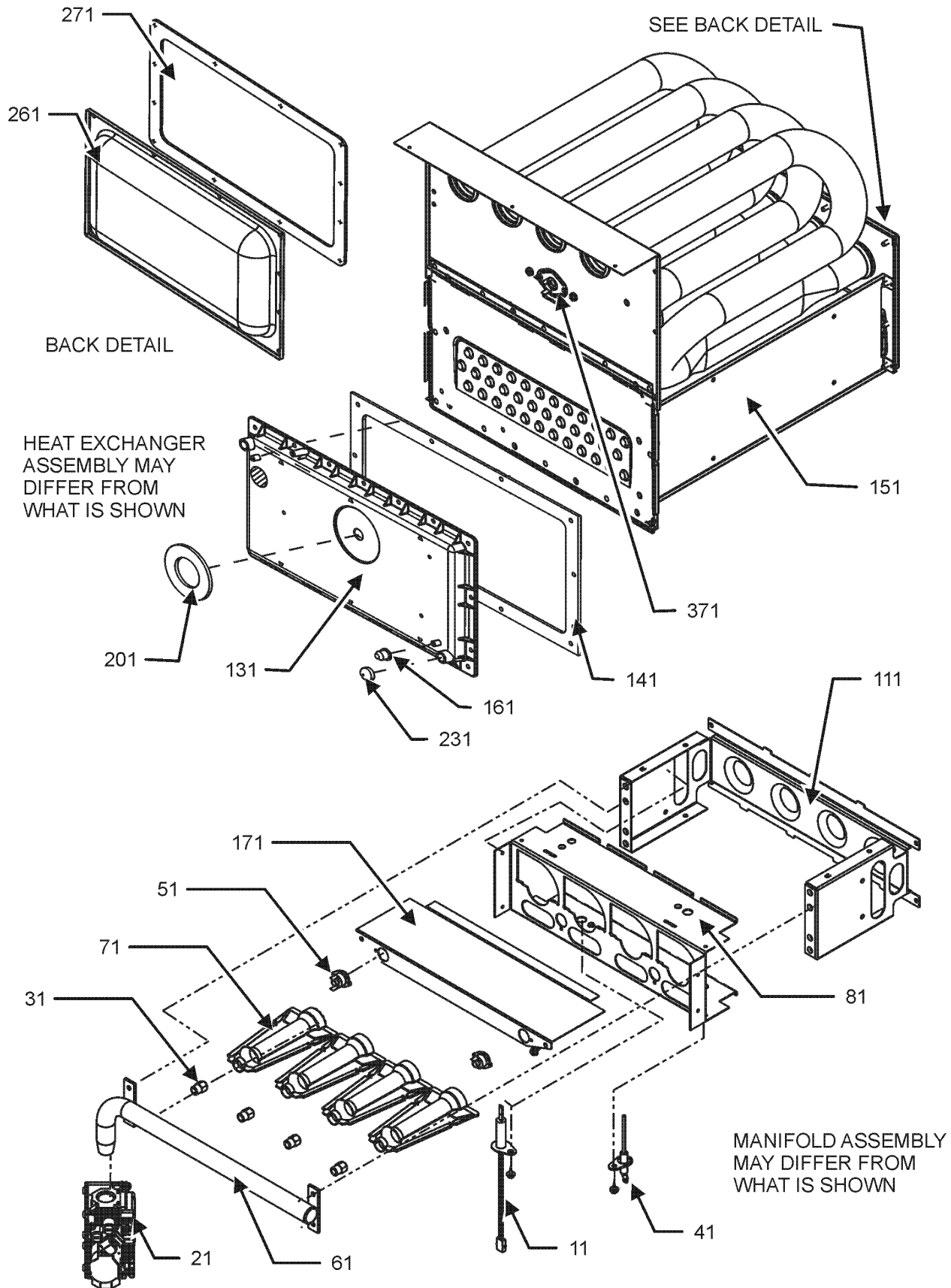
# Blower Assembly

Ref. Part No:	Ref. Part No:	Description:	Description:
<b>Image 1:</b>			
31	0271F00181	BLOWER HSG ASSY (M2, M3)	
31	0271F00182	BLOWER HSG ASSY (M4, M6)	
31	0271F00323	BLOWER HSG ASSY (M1)	
31	0271F00161	BLOWER SHELL & WHEEL ASSY (M5, M7)	
31	0271F00163	BLOWER SHELL & WHEEL ASSY (M8)	
41	B1368034	BLOWER WHEEL 10 X 6 (M1)	
41	0150M00042	WHEEL, BLOWER (10 X 10) (M4, M6)	
41	0150M00043	WHEEL, BLOWER (10 X 8) (M2, M3)	
51	764741	BLOWER BLOCK-OFF 10 X 10 (M4, M6)	
51	764740	BLOWER BLOCK-OFF 10 X 8 (M2, M3)	
51	764739	BLOWER CUT-OFF 10 X 6 (M1)	
141	0121M00039	MOUNT BAND, MOTOR (HEAVY DUTY)	
151	B1376863	MOUNT ARM, MOTOR (HEAVY DUTY) (QTY 3)	
181	0131F00112	MOTOR X-13, BLOWER 1/2 H.P. (M1, M2, M3)	
181	0131F00114	MOTOR X-13, BLOWER 1H.P. (M5, M7, M8)	
181	0131F00113	MOTOR X-13, BLOWER 3/4 H.P. (M4, M6)	
231	M0250565	SCREW-TC 1.25" (QTY 3)	
251	0163M00320	HEX HEAD ALL THREAD TAP BOLT	
261	B1392918	WASHER, FLAT 1/4 ID X 1 OD (QTY 3)	
281	B1393800	LOCKNUT, NYLON, INSERT 1/4,20	
381	0130M00140	TRANSFORMER 120V TO 24V, 40VA	
401	PCBBF145	CIRCUIT BOARD	
461	0121F00464	MOUNTING PLATE-CONTROLS	
521	0130F00038	PRIMARY LIMIT - LT BLUE 120° (QTY 2)	
NS	0131F00135	MOTOR, PROGRAM-X13 (M1)	
NS	0131F00136	MOTOR, PROGRAM-X13 (M2)	
NS	0131F00137	MOTOR, PROGRAM-X13 (M3)	
NS	0131F00138	MOTOR, PROGRAM-X13 (M4)	
NS	0131F00139	MOTOR, PROGRAM-X13 (M5)	
NS	0131F00140	MOTOR, PROGRAM-X13 (M6)	
NS	0131F00141	MOTOR, PROGRAM-X13 (M7)	
NS	0131F00142	MOTOR, PROGRAM-X13 (M8)	

## Expanded Model Nomenclature

M1 - GMES920403ANAA
M2 - GMES920603BNAA
M3 - GMES920803BNAA
M4 - GMES920804CNAA
M5 - GMES920805CNAA
M6 - GMES921004CNAA
M7 - GMES921005CNAA
M8 - GMES921205DNAA

# Heat Exchange Assembly



# Heat Exchange Assembly

Ref. Part No:	Ref. Part No:	Description:	Description:
<b>Image 1:</b>		<b>Image 1:</b>	
11	0130F00008	IGNITOR-SINI 17 SEC	271 0154F00039 GASKET, REAR CVR (M8)
21	0151M00037	GAS VALVE	371 20162904 *PRIMARY LIMIT-TEMPERATURE CONTROL (M8)
31	10716005	ORIFICE (QTY 2)	*Refer to service bulletin SF-054
41	0130F00010	FLAME SENSOR	371 0130F00036 LIMIT, PRIMARY, 180, PINK (M2, M4)
51	0130F00123	MANUAL RESET LIMIT - ROS (M2)	371 20162903 LIMIT-BLUE (M1, M5, M6)
51	10123529	MANUAL RESET LIMIT - ROS (M8)	371 20162907 LIMIT-ORANGE (M7)
51	10123534	MANUAL RESET LIMIT - ROS (M4)	371 20162906 LIMIT-WHITE (M3)
51	10123538	MANUAL RESET LIMIT - ROS (M1)	NS 0121F00415 BAFFLE, AIR FURN
51	10123539	MANUAL RESET LIMIT - ROS (M3, M5, M6, M7)	NS 0121F00582 INSULATION, RETAINER (M1)
61	0163F00007	MANIFOLD (M1)	NS 0121F00583 INSULATION, RETAINER (M2, M3)
61	0163F00008	MANIFOLD (M2)	NS 0121F00584 INSULATION, RETAINER (M4, M5, M6, M7)
61	0163F00009	MANIFOLD (M4, M5)	NS 0121F00585 INSULATION, RETAINER (M8)
61	0163F00010	MANIFOLD (M6, M7)	NS 0121F00439 PRIMARY LIMIT-HEAT SHIELD
61	0163F00011	MANIFOLD (M8)	NS 0121F00355 SHIELD, COIL (QTY 2)
61	0163F00014	MANIFOLD (M3)	
71	0163F00017	BECKETT BURNER (QTY 2)	<b>Expanded Model Nomenclature</b>
81	0121F00456	BRACKET-BURNER 2 (M1)	M1 - GMES920403ANAA
81	0121F00455	BRACKET-BURNER 3 (M2)	M2 - GMES920603BNAA
81	0121F00454	BRACKET-BURNER 4 (M3, M4, M5)	M3 - GMES920803BNAA
81	0121F00453	BRACKET-BURNER 5 (M6, M7)	M4 - GMES920804CNAA
81	0121F00451	BRACKET-BURNER 6 (M8)	M5 - GMES920805CNAA
111	0121F00469	ORIFICE BRACKET-BURNER 2 (M1)	M6 - GMES921004CNAA
111	0121F00468	ORIFICE BRACKET-BURNER 3 (M2)	M7 - GMES921005CNAA
111	0121F00467	ORIFICE BRACKET-BURNER 4 (M3, M4, M5)	M8 - GMES921205DNAA
111	0121F00466	ORIFICE BRACKET-BURNER 5 (M6, M7)	
111	0121F00465	ORIFICE BRACKET-BURNER 6 (M8)	
131	0161F00016	COVER, FRONT (M3)	
131	0161F00018	COVER, FRONT (M4, M5)	
131	0161F00027	COVER, FRONT (M6, M7)	
131	0161F00028	COVER, FRONT (M8)	
131	0161F00031	COVER, FRONT (M2)	
131	0161F00076	COVER, FRONT (M1)	
141	0154F00026	GASKET FRONT COVER (M2, M3)	
141	0154F00030	GASKET FRONT COVER (M4, M5, M6, M7)	
141	0154F00034	GASKET FRONT COVER (M8)	
141	0154F00062	GASKET FRONT COVER (M1)	
151	0257F00211	HEAT EXCHANGER ASSY (M3)	
151	0257F00281	HEAT EXCHANGER ASSY (M6, M7)	
151	0257F00283	HEAT EXCHANGER ASSY (M2)	
151	0257F00286	HEAT EXCHANGER ASSY (M8)	
151	0257F00296	HEAT EXCHANGER ASSY (M4, M5)	
151	0257F00449	HEAT EXCHANGER ASSY (M1)	
161	M0326804	TUBE PLUG	
171	0121F00539	SHEILD, BURNER (M1)	
171	0121F00540	SHEILD, BURNER (M2)	
171	0121F00541	SHEILD, BURNER (M3, M4, M5)	
171	0121F00542	SHEILD, BURNER (M6, M7)	
171	0121F00543	SHEILD, BURNER (M8)	
201	0154F00043	GASKET, ID BLOWER	
231	A1781105	CAP-VINYL .500	
261	0121F00317	COVER, REAR (M2, M3)	
261	0121F00318	COVER, REAR (M4, M5, M6, M7)	
261	0121F00319	COVER, REAR (M8)	
261	0121F00670	COVER, REAR (M1)	
271	0154F00058	GASKET REAR CVR (M1)	
271	0154F00037	GASKET, REAR CVR (M2, M3)	
271	0154F00038	GASKET, REAR CVR (M4, M5, M6, M7)	