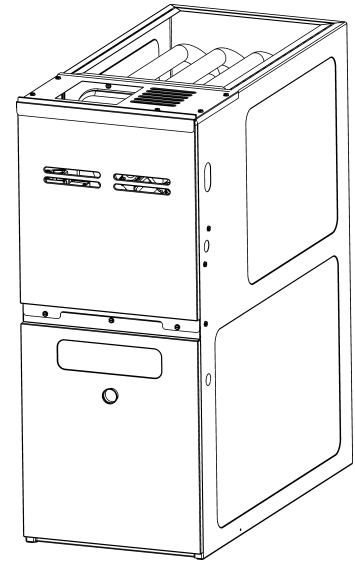




REPAIR PARTS

GMVC 80% High Efficient Furnace

GMVC800603BNAA
GMVC800603BXAA
GMVC800604BNAA
GMVC800604BXAA
GMVC800803BNAA
GMVC800804CNAA
GMVC800804CXAA
GMVC800805CNAA
GMVC800805CXAA
GMVC800805DNAA
GMVC800805DXAA
GMVC801005CNAA
GMVC801005CXAA



This manual is to be used by qualified technicians only.

© 2019 Goodman Manufacturing Company, L.P. ♦ 19001 Kermier Rd. ♦ Waller, TX 77484

Important Information

Index

Functional Parts List	3
Illustration and Parts	4 - 9

Views shown are for parts illustrations only, not servicing procedures

Text Codes:

AR - As Required

NA - Not Available

NS - Not Shown

00000000 - See Note

QTY - Quantity Example (QTY 3) (If Quantity not shown, Quantity = 1)

M - Model Example (M1) (If M Code not shown, then part is used on all Models)

Expanded Model Nomenclature:

Example M1 - Model#1 M2 - Model#2 M3 - Model#3

Goodman Manufacturing Company, L.P. is not responsible for personal injury or property damage resulting from improper service. Review all service information before beginning repairs.

Warranty service must be performed by an authorized technician, using authorized factory parts. If service is required after the warranty expires, Goodman Manufacturing Company, L.P. also recommends contacting an authorized technician and using authorized factory parts.

Goodman Manufacturing Company, L.P. reserves the right to discontinue, or change at any time, specifications or designs without notice or without incurring obligations.

For assistance within the U.S.A. contact:
Homeowner Support
Goodman Manufacturing Company, L.P.
19001 Kermier Road
Waller, Texas 77484
877-254-4729-Telephone
713-863-2382-Facsimile

For assistance outside the U.S.A. contact:
International Division
Goodman Manufacturing Company, L.P.
19001 Kermier Road
Waller, Texas 77484
713-861-2500-Telephone
713-863-2382-Facsimile

Functional Parts

Part

No: Description:

20162904	*PRIMARY LIMIT-TEMPERATURE CONTROL (M5, M6, M7, M10, M11)
0130F00574	AIR PRESSURE SWITCH (M1, M2, M10, M11)
0130F00573	AIR PRESSURE SWITCH (M6, M7)
SHARED DATA	Available thru CoolCloud HVAC app.
0130F00509	DUAL STAGE PRESSURE SWITCH (M3, M4, M5, M8, M9)
0130F00508	DUAL STAGE PRESSURE SWITCH (M12, M13)
0130F00010	FLAME SENSOR
0151M00027	GAS VALVE
0130M00141	INDUCTOR, 5.9 AMPS (GMPE100-4) (M3, M4, M6, M7, M8, M9, M10, M11, M12, M13)
10690402	INTERLOCK SWITCH
0130F00038	LIMIT, PRIMARY 120 LT BLUE
0130M00063	LIMIT, PRIMARY, 140, GOLD (M3, M4, M8, M9)
20162903	LIMIT-BLUE (M1, M2)
20162905	LIMIT-YELLOW (M12, M13)
10123529	MANUAL RESET R.O.S. LIMIT (QTY 2)
0131M00270	MOTOR, 1/2 HP, SERIAL ECM (M1, M2, M5, M6, M7)
0131M00271	MOTOR, 3/4 HP, SERIAL ECM (M3, M4, M8, M9, M10, M11, M12, M13)
0131M00781P	MOTOR, VENT 2-STAGE
PCBKF107	PCB, CONTROL BOARD
PCBCM100	PCB,CONTROL
0130F00008	SINI IGNITOR
0130M00140	TRANSFORMER,(120V TO 24V,40VA,

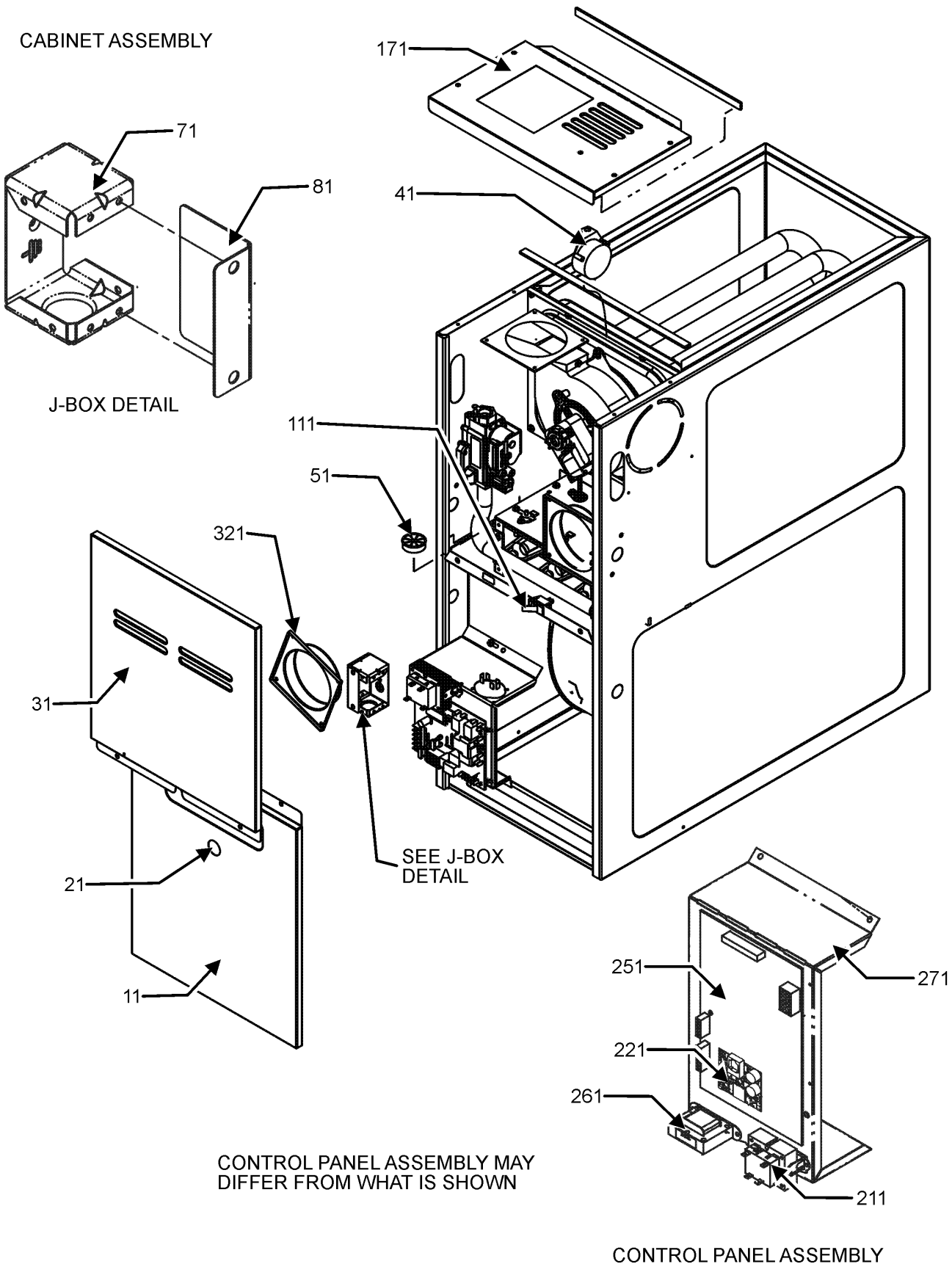
SPECIAL PARTS

0161F00007 NAMEPLATE, GOODMAN

Expanded Model Nomenclature

M1 - GMVC800603BNAA
M2 - GMVC800603BXAA
M3 - GMVC800604BNAA
M4 - GMVC800604BXAA
M5 - GMVC800803BNAA
M6 - GMVC800804CNAA
M7 - GMVC800804CXAA
M8 - GMVC800805CNAA
M9 - GMVC800805CXAA
M10 - GMVC800805DNAA
M11 - GMVC800805DXAA
M12 - GMVC801005CNAA
M13 - GMVC801005CXAA

Cabinet and Control Panel Assembly



Cabinet and Control Panel Assembly

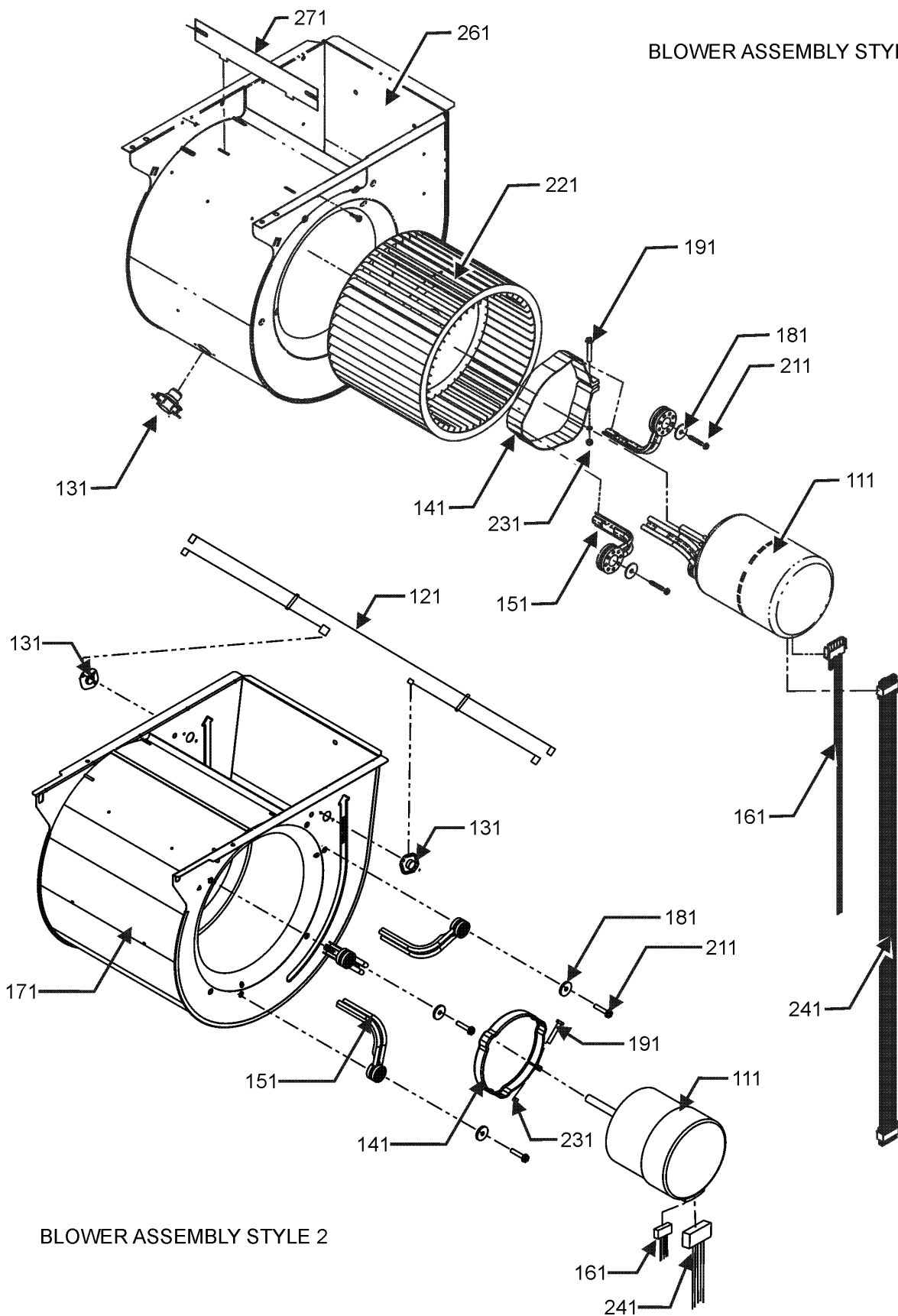
Ref. Part No:	Part No:	Description:	Ref. Part No:	Part No:	Description:
Image 1:					
11	0121F00123DG	DOOR, BLOWER, 17.5" PAINTED (M1, M2, M3, M4, M5)			
11	0121F00124DG	DOOR, BLOWER, 21"-PAINTED (M6, M7, M8, M9, M12, M13)			
11	0121F00125DG	DOOR, BLOWER, 24.5"-PAINTED (M10, M11)			
21	B1392139	VIEW PORT BUSHING-BLOWER DOOR			
31	0121F00119DG	CONTROL ACCESS DOOR 17.5" (M1, M2, M3, M4, M5)			
31	0121F00120DG	CONTROL ACCESS DOOR 21" (M6, M7, M8, M9, M12, M13)			
31	0121F00121DG	CONTROL ACCESS DOOR 24.5" (M10, M11)			
41	0130F00573	AIR PRESSURE SWITCH (M6, M7)			
41	0130F00574	AIR PRESSURE SWITCH (M1, M2, M10, M11)			
41	0130F00508	DUAL STAGE PRESSURE SWITCH (M12, M13)			
41	0130F00509	DUAL STAGE PRESSURE SWITCH (M3, M4, M5, M8, M9)			
51	B1392147	UNIVERSAL BUSHING WITH SLICE			
71	4014502	J-BOX			
81	4015502	COVER, J-BOX			
111	10690402	INTERLOCK SWITCH			
171	0121F00142DG	TOP 17.5" (M1, M2, M3, M4, M5)			
171	0121F00143DG	TOP 21" (M6, M7, M8, M9, M12, M13)			
171	0121F00463DG	TOP, FURNACE 24.5" (M10, M11)			
211	0130M00140	TRANSFORMER, (120V TO 24V, 40VA,			
221	PCBCM100	PCB, CONTROL			
251	PCBKF107	PCB, CONTROL BOARD			
261	0130M00141	INDUCTOR, 5.9 AMPS (GMPE100-4) (M3, M4, M6, M7, M8, M9, M10, M11, M12, M13)			
271	0121F00218	PANEL, CONTROL MOUNTING			
321	4023500	CHIMNEY TRANSITION TOP			
NS	SHARED DATA	Availible thru CoolCloud HVAC app.			
NS	0159F00083	CABLE, RJ12			
NS	0161F00007	NAMEPLATE, GOODMAN			

Expanded Model Nomenclature

M1 - GMVC800603BNAA
M2 - GMVC800603BXAA
M3 - GMVC800604BNAA
M4 - GMVC800604BXAA
M5 - GMVC800803BNAA
M6 - GMVC800804CNAA
M7 - GMVC800804CXAA
M8 - GMVC800805CNAA
M9 - GMVC800805CXAA
M10 - GMVC800805DNAA
M11 - GMVC800805DXAA
M12 - GMVC801005CNAA
M13 - GMVC801005CXAA

Blower Assembly

BLOWER ASSEMBLY STYLE 1



Blower Assembly

Ref. Part No:	Ref. Part No:	Description:	Description:
Image 1:			
111	0131M00270	MOTOR, 1/2 HP, SERIAL ECM (M1, M2, M5, M6, M7)	
111	0131M00271	MOTOR, 3/4 HP, SERIAL ECM (M3, M4, M8, M9, M10, M11, M12, M13)	
121	0259F00024	WIRE HARNESS-BLOWER (M6, M7, M10, M11)	
131	0130F00038	LIMIT, PRIMARY 120 LT BLUE	
141	0121M00038	MOTOR MOUNT BAND (M1, M2, M3, M4, M5)	
141	0121M00039	MOTOR MOUNT BAND (HEAVY DUTY) (M6, M7, M8, M9, M10, M11, M12, M13)	
151	B1376853	MOTOR MOUNT ARM (M1, M2, M3, M4, M5)	
151	B1376863	MOTOR MOUNT ARM (HEAVY DUTY) (M6, M7, M8, M9, M10, M11, M12, M13)	
161	0259F00049	HARNESS-POWER	
171	0271F00303	BLOWER SHELL & WHEEL (M6, M7, M10, M11)	
181	B1392918	WASHER, FLAT 1/4 ID X 1 OD (QTY 3)	
191	0163M00320	HEX HEAD ALL THREAD TAP BOLT	
211	M0250565	SCREW-TC 1.25" (QTY 3)	
221	B1368047	BLOWER WHEEL (10 X 10) (M8, M9, M12, M13)	
221	0150M00043	WHEEL, BLOWER (10X8) (M1, M2, M5)	
221	B1368016	WHEEL, BLOWER, 10X8 (M3, M4)	
231	B1393800	LOCKNUT, NYLON INSERT 1/4 20	
241	0259M00008	WIRE HARNESS	
261	0271F00111	BLOWER SHELL ASSY (M1, M2, M3, M4, M5)	
261	0271F00112	BLOWER SHELL ASSY (M8, M9, M12, M13)	
271	764741	BLWR BLK-OFF ,10X10 (M8, M9, M12, M13)	
271	764740	BLWR BLK-OFF ,10X8 (M1, M2, M3, M4, M5)	

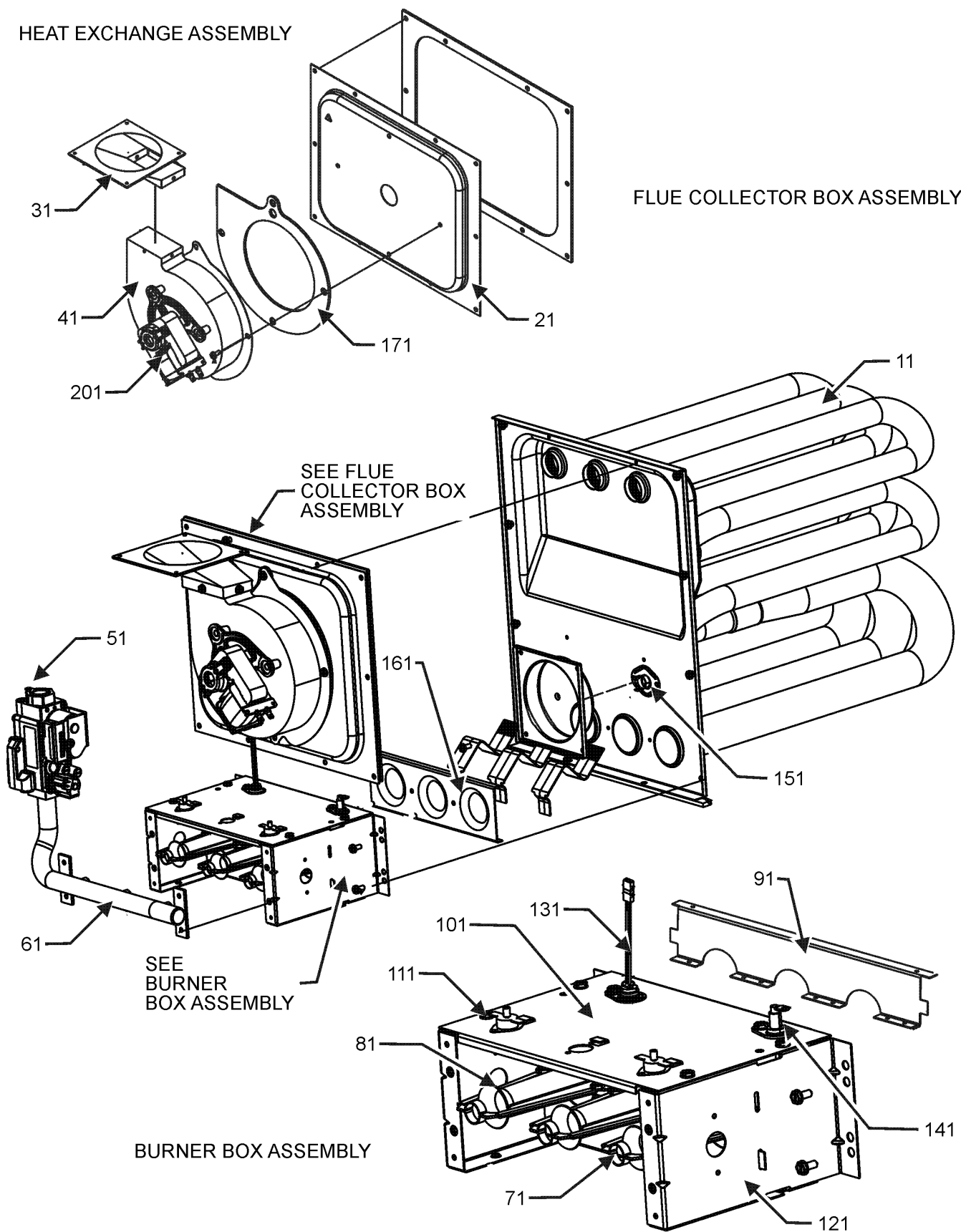
Expanded Model Nomenclature

M1 - GMVC800603BNAA
M2 - GMVC800603BXAA
M3 - GMVC800604BNAA
M4 - GMVC800604BXAA
M5 - GMVC800803BNAA
M6 - GMVC800804CNAA
M7 - GMVC800804CXAA
M8 - GMVC800805CNAA
M9 - GMVC800805CXAA
M10 - GMVC800805DNAA
M11 - GMVC800805DXAA
M12 - GMVC801005CNAA
M13 - GMVC801005CXAA

Heat Exchange Assembly

HEAT EXCHANGE ASSEMBLY

FLUE COLLECTOR BOX ASSEMBLY



Heat Exchange Assembly

Ref. Part No:	Ref. Part No:	Description:	Description:
Image 1:		Expanded Model Nomenclature	
11	0270F00902	HEAT EXCHANGER ASSY (M5)	M1 - GMVC800603BNAA
11	0270F00903	HEAT EXCHANGER ASSY (M12, M13)	M2 - GMVC800603BXAA
11	0270F00929	HEAT EXCHANGER ASSY (M1, M2, M3, M4)	M3 - GMVC800604BNAA
11	0270F00930	HEAT EXCHANGER ASSY (M6, M7, M8, M9)	M4 - GMVC800604BXAA
11	0270F02961	HEAT EXCHANGER ASSY (M10, M11)	M5 - GMVC800803BNAA
21	0121F00328	17.5" COLLECTOR BOX 1.250" DIA (M1, M2)	M6 - GMVC800804CNA A
21	0121F00332	17.5" COLLECTOR BOX 1.375" DIA (M3, M4)	M7 - GMVC800804CXAA
21	0121F00334	21" COLLECTOR BOX 1.625" DIA (M10, M11)	M8 - GMVC800805CNA A
21	0121F00333	21" COLLECTOR BOX 1.75" DIA (M12, M13)	M9 - GMVC800805CXAA
21	0121F00336	21" FLUE COLLECTOR BOX 1.50" (M8, M9)	M10 - GMVC800805DNA A
21	0121F00655	COLLECTOR BOX 17.5" 1.437 DIA (M5)	M11 - GMVC800805DXAA
21	0121F00659	COLLECTOR BOX 21" 1.40 DIA (M6, M7)	M12 - GMVC801005CNA A
31	0128F00006	CHIMNEY TRANSITION BOTTOM	M13 - GMVC801005CXAA
41	0131M00781P	MOTOR, VENT 2-STAGE	
51	0151M00027	GAS VALVE	
61	0120F00007	MANIFOLD (M1, M2, M3, M4)	
61	0120F00008	MANIFOLD (M5, M6, M7, M8, M9, M10, M11)	
61	0120F00009	MANIFOLD (M12, M13)	
71	10716005	ORIFICE (QTY 3)	
81	B4022700	INSHOT BURNER ASSY 3" (QTY 3)	
91	0121F00168	BURNER RACK, 3 CELL (M1, M2, M3, M4)	
91	0121F00169	BURNER RACK, 4 CELL (M5, M6, M7, M8, M9, M10, M11)	
91	0121F00170	BURNER RACK, 5 CELL (M12, M13)	
101	0121F00163	TOP, BURNER BOX 3 CELL (M1, M2, M3, M4)	
101	0121F00164	TOP, BURNER BOX 4 CELL (M5, M6, M7, M8, M9, M10, M11)	
101	0121F00165	TOP, BURNER BOX 5 CELL (M12, M13)	
111	10123529	MANUAL RESET R.O.S. LIMIT (QTY 2)	
121	0121F00146	BURNER BOX SIDE (QTY 2)	
131	0130F00008	SINI IGNITOR	
141	0130F00010	FLAME SENSOR	
151	20162904	*PRIMARY LIMIT-TEMPERATURE CONTROL (M5, M6, M7, M10, M11)	
151	0130M00063	LIMIT, PRIMARY , 140, GOLD (M3, M4, M8, M9)	
151	20162903	LIMIT-BLUE (M1, M2)	
151	20162905	LIMIT-YELLOW (M12, M13)	
161	4028001	ORIFICE PLATE, 3CELL (M1, M2, M3, M4)	
161	4028002	ORIFICE PLATE, 4CELL (M5, M6, M7, M8, M9, M10, M11)	
161	4028003	ORIFICE PLATE, 5CELL (M12, M13)	
171	0154F00004	VENT MOTOR GASKET 17.5" (M1, M2, M3, M4, M5)	
171	0154F00005	VENT MOTOR GASKET 21" (M6, M7, M8, M9, M10, M11, M12, M13)	
201	DY6.186.070	VENT MOTOR CAPACITOR	
NS	0259F00062	INDUCER HARNESS ASSY	
NS	0259F00063	WIRE HARNESS ASSY	
NS	0259F00260	WIRE HARNESS ASSY	
NS	0259F00261	WIRE HARNESS ASSY	
NS	0259F00262	WIRE HARNESS ASSY	