



# REPAIR PARTS

## GSX14 Remote Condensing Unit

GSX140181LB  
GSX140181LC  
GSX140181MA  
GSX140191KC  
GSX140241LC  
GSX140241LD  
GSX140251LB  
GSX140301KC  
GSX140301LA  
GSX140301LB  
GSX140301NA  
GSX140311KC  
GSX140361KD  
GSX140361KE  
GSX140371KD  
GSX140421KD  
GSX140421KE  
GSX140431KD  
GSX140481KC  
GSX140481KD  
GSX140601KC  
GSX140601KD



This manual is to be used by qualified technicians only.

This manual replaces RP-G4302D.

©2016 - 2017, 2019 - 2020 Goodman Manufacturing Company, L.P. ♦ 19001 Kermier Rd. ♦ Waller, TX 77484

# Important Information

---

## Index

Functional Parts List .....	3
Illustration and Parts .....	4 - 9

*Views shown are for parts illustrations only, not servicing procedures*

### Text Codes:

AR - As Required

NA - Not Available

NS - Not Shown

00000000 - See Note

QTY - Quantity Example (QTY 3) (If Quantity not shown, Quantity = 1)

M - Model Example (M1) (If M Code not shown, then part is used on all Models)

### Expanded Model Nomenclature:

Example M1 - Model#1 M2 - Model#2 M3 - Model#3
---

Goodman Manufacturing Company, L.P. is not responsible for personal injury or property damage resulting from improper service. Review all service information before beginning repairs.

Warranty service must be performed by an authorized technician, using authorized factory parts. If service is required after the warranty expires, Goodman Manufacturing Company, L.P. also recommends contacting an authorized technician and using authorized factory parts.

Goodman Manufacturing Company, L.P. reserves the right to discontinue, or change at any time, specifications or designs without notice or without incurring obligations.

For assistance within the U.S.A. contact:  
Homeowner Support  
Goodman Manufacturing Company, L.P.  
19001 Kermier Road  
Waller, Texas 77484  
877-254-4729-Telephone  
713-863-2382-Facsimile

For assistance outside the U.S.A. contact:  
International Division  
Goodman Manufacturing Company, L.P.  
19001 Kermier Road  
Waller, Texas 77484  
713-861-2500-Telephone  
713-863-2382-Facsimile

# Functional Parts

**Part No:**            **Description:**

50N382YV-5AKM	1.5T RECHI COMPRESSOR (3-LEGS) (M3)
50N382YV-ZAKM	1.5T RECHI COMPRESSOR (4-LEGS) (M1, M2)
0131M00811	1/8 HP 8 PL PSC MOTOR (M2, M4, M5, M7)
0131M00266	1/8 HP 8 PL PSC MOTOR (M1, M6)
50N492ZV-ZAKM	2.0TONRECHI COMPR.4 LEGS (M5, M6)
50N6229V-ZAKM	2.5 TON RECHI COMPR. 4 LEGS (M9, M10)
0151R00079	BASE VALVE 3/4" (M1, M2, M3, M4, M5, M6, M7, M8, M9, M10, M11, M12, M13, M14, M15)
0151R00167	BASE VALVE 3/8"
0151R00080	BASE VALVE 7/8" (M16, M17, M18, M19, M20, M21, M22)
0150M00012	BLADE-FAN 20" CCW (M1, M2, M4, M5, M6, M7)
CAP050450440CT	CAP, 5/45 MFD/440V/DUAL RD (M5, M6, M13, M14, M15, M16, M17, M18, M19, M20)
CAP050500440CT	CAP, 5/50 MFD/440V/DUAL RD (M9, M10)
CAP050300440CS	CAP,5/30MFD/440V/DUAL RD (M1, M2, M3, M4)
CAP050350440CS	CAPACITOR 5/35/440V (M7)
CAP050400440CT	CAPACITOR 5/40/440V/DUAL RD (M8, M11, M12)
CAP050700440CT	CAPACITOR 5/70/440V/DUAL RD (M21, M22)
ZP14K6EPFV120	COMP, 20200, 208/230/60/1 (M4)
ZP24K6EPFV120	COMP, 32500, 208/230/60/1 (M12)
ZP29K6EPFV120	COMP, 39700, 208/230/60/1 (M15)
ZP20K5EPFV130	COMP,20000,208/230/60/1 (M7)
ZP24K5EPFV130	COMP,24000,208/230/60/1 (M8)
ZP29K5EPFV130	COMP,29000,208/230/60/1 (M13, M14)
ZP31K5EPFV130	COMP,31100,208/230/60/1 (M16, M17, M18)
ZP38K5EPFV130	COMP,37500,208/230/60/1 (M19, M20)
ZP49K5EPFV130	COMP,49400,208/230/60/1 (M21, M22)
5VS250FAA21	COMPRESSOR, PANASONIC (M11)
CONT1P025024V	CONTACTOR 25 AMP, 1P, 24V (M1, M2, M3, M4, M5, M6, M7, M8, M9, M10, M11, M12, M13, M14, M15, M16, M17, M18)
CONT1P030024V	CONTACTOR 30 AMP, 1P, 24V (M19, M20, M21, M22)
0130M00178	DPDT RELAY 24VAC (M9, M10)
0150M00030	FAN BLADE, 18" (M3)
0150M00008	FAN BLADE, 22" TNT2203-25 (M8, M9, M10, M11, M12, M13, M14, M15, M16, M17, M18)
0150M00054	FAN BLADE, 26" (M19, M20, M21, M22)
0163R00002	HEATER, CRANKCASE 230V, 40W (M9, M10)
0131M00807	MOTOR, 1/4HP, 1SP, 8PL, AL (M19, M20, M21, M22)
0131M00753	MOTOR, 1/6HP, 1SP, 8PL, AL (M8, M9, M10, M11, M12, M13, M14, M15, M16, M17, M18)
0131M00593	MOTOR, 1/8 HP, ISP, 6PL, AL (M3)
0130M00089	SW-CUTOUT HI PRESS (M1, M2, M3, M5, M6, M9, M10, M11)

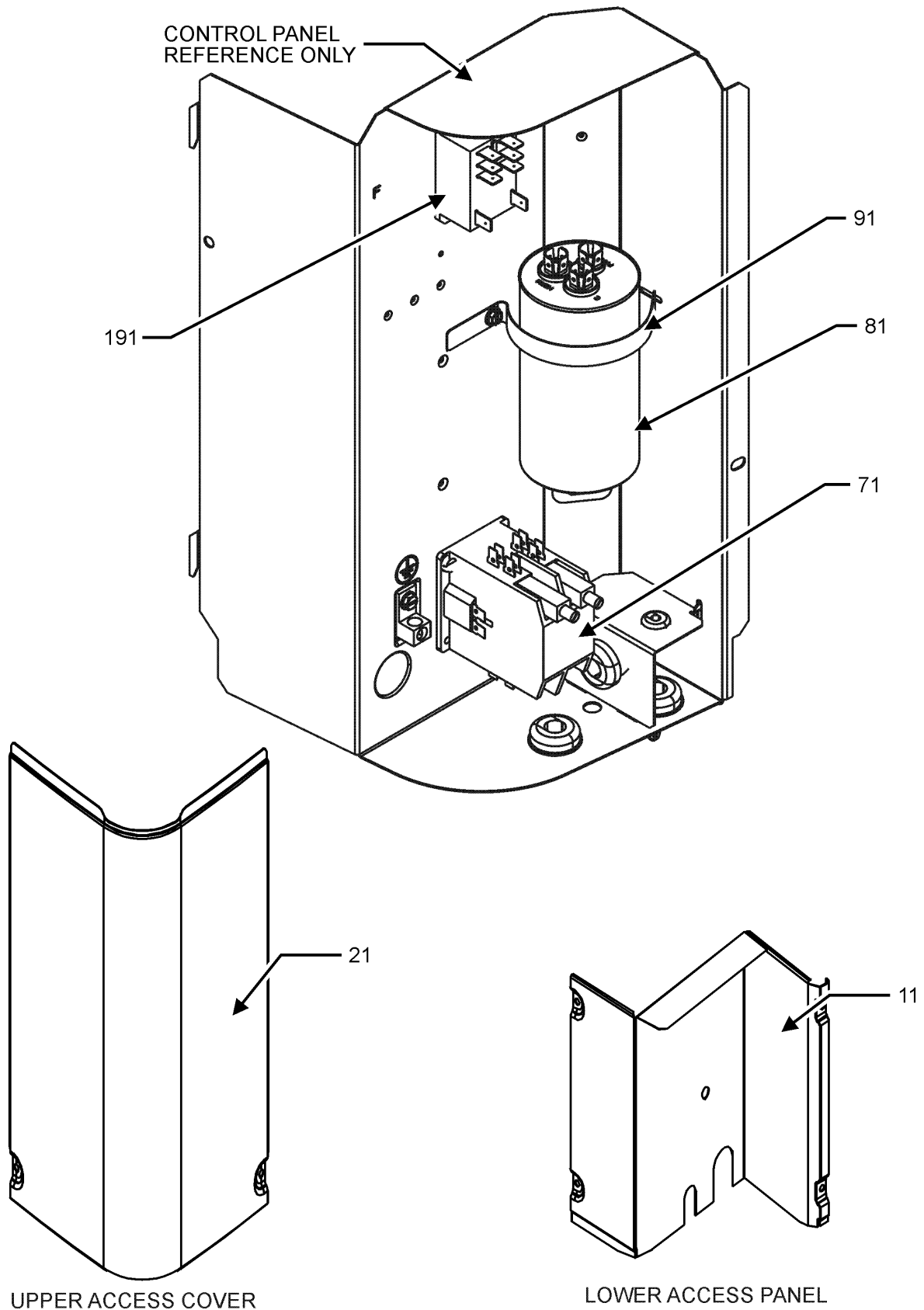
## Expanded Model Nomenclature

M1 - GSX140181LB
M2 - GSX140181LC
M3 - GSX140181MA
M4 - GSX140191KC
M5 - GSX140241LC
M6 - GSX140241LD
M7 - GSX140251LB
M8 - GSX140301KC
M9 - GSX140301LA
M10 - GSX140301LB
M11 - GSX140301NA
M12 - GSX140311KC
M13 - GSX140361KD
M14 - GSX140361KE
M15 - GSX140371KD
M16 - GSX140421KD
M17 - GSX140421KE
M18 - GSX140431KD
M19 - GSX140481KC
M20 - GSX140481KD
M21 - GSX140601KC
M22 - GSX140601KD

## SPECIAL PARTS

0161R00092	NAMEPLATE, GOODMAN
------------	--------------------

# Control Panel Assembly



# Control Panel Assembly

Ref. Part No:	Part No:	Description:	Ref. Part No:	Part No:	Description:
---------------	----------	--------------	---------------	----------	--------------

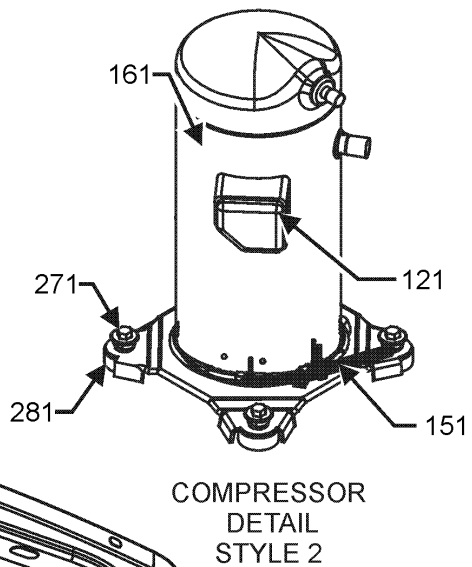
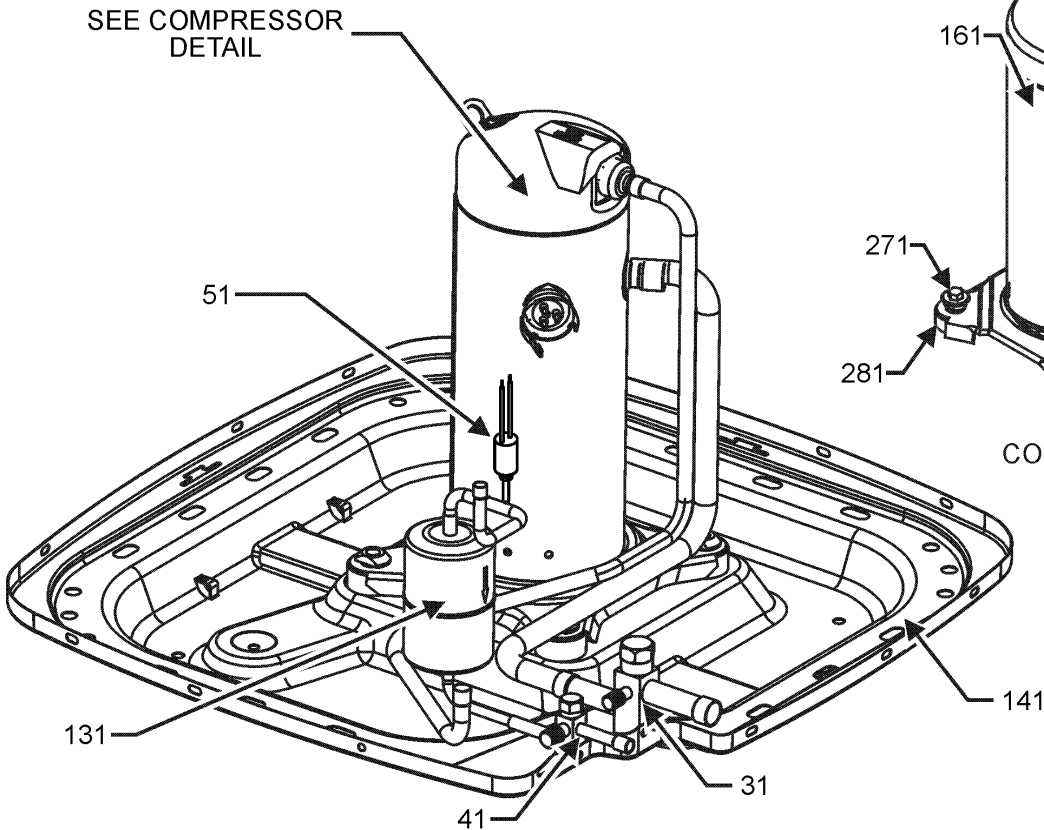
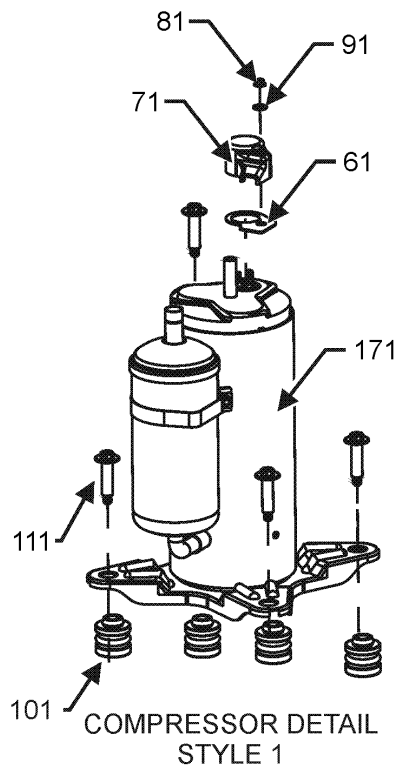
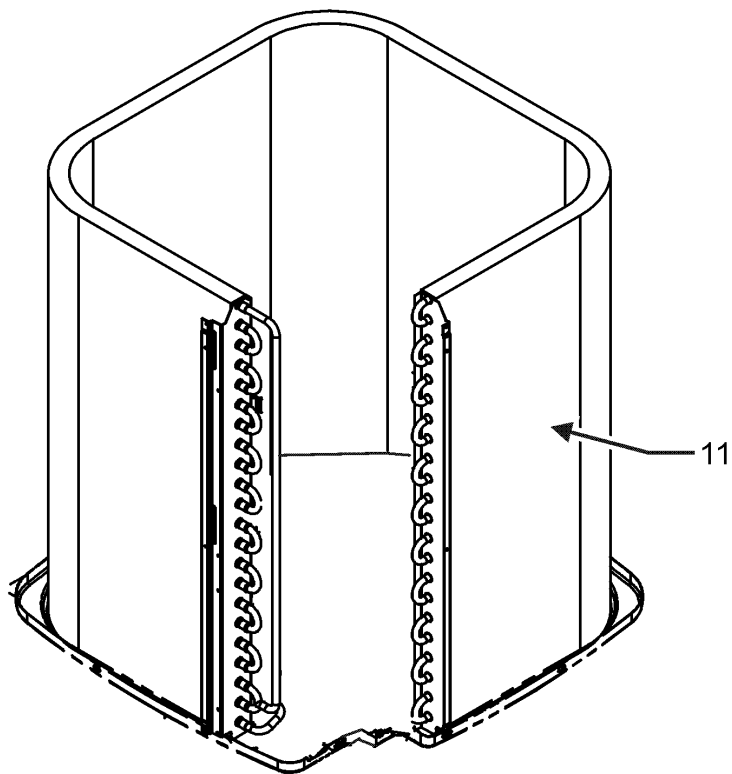
**Image 1:**

11	0121R00265PDG	LOWER ACCESS PANEL (M3)
11	0121R00316PDG	LOWER ACCESS PANEL (M21, M22)
11	0121R00319PDG	LOWER ACCESS PANEL (M9, M10, M16, M17, M18, M19, M20)
11	0121R00326PDG	LOWER ACCESS PANEL (M1, M2, M4, M5, M6)
11	0121R00663PDG	LOWER ACCESS PANEL (M7, M8, M11, M12, M13, M14, M15)
21	0121R00053PDG	CONTROL COVER (M1, M2, M4, M5, M6, M7, M8, M9, M10, M11, M12, M13, M14, M15, M16, M17, M18, M19, M20, M21, M22)
21	0121R00268PDG	COVER, CONTROL, PNT DG (M3)
71	CONT1P025024V	CONTACTOR 25 AMP, 1P, 24V (M1, M2, M3, M4, M5, M6, M7, M8, M9, M10, M11, M12, M13, M14, M15, M16, M17, M18)
71	CONT1P030024V	CONTACTOR 30 AMP, 1P, 24V (M19, M20, M21, M22)
81	CAP050450440CT	CAP, 5/45 MFD/440V/DUAL RD (M5, M6, M13, M14, M15, M16, M17, M18, M19, M20)
81	CAP050500440CT	CAP, 5/50 MFD/440V/DUAL RD (M9, M10)
81	CAP050300440CS	CAP,5/30MFD/440V/DUAL RD (M1, M2, M3, M4)
81	CAP050350440CS	CAPACITOR 5/35/440V (M7)
81	CAP050400440CT	CAPACITOR 5/40/440V/DUAL RD (M8, M11, M12)
81	CAP050700440CT	CAPACITOR 5/70/440V/DUAL RD (M21, M22)
91	4400065	CAPACITOR STRAP
191	0130M00178	DPDT RELAY 24 VAC (M9, M10)
NS	0161R00092	NAMEPLATE, GOODMAN

**Expanded Model Nomenclature**

- M1 - GSX140181LB
- M2 - GSX140181LC
- M3 - GSX140181MA
- M4 - GSX140191KC
- M5 - GSX140241LC
- M6 - GSX140241LD
- M7 - GSX140251LB
- M8 - GSX140301KC
- M9 - GSX140301LA
- M10 - GSX140301LB
- M11 - GSX140301NA
- M12 - GSX140311KC
- M13 - GSX140361KD
- M14 - GSX140361KE
- M15 - GSX140371KD
- M16 - GSX140421KD
- M17 - GSX140421KE
- M18 - GSX140431KD
- M19 - GSX140481KC
- M20 - GSX140481KD
- M21 - GSX140601KC
- M22 - GSX140601KD

# Compressor and Tubing Assembly



ACTUAL TUBING ASSEMBLY MAY DIFFER FROM WHAT IS SHOWN

# Compressor and Tubing Assembly

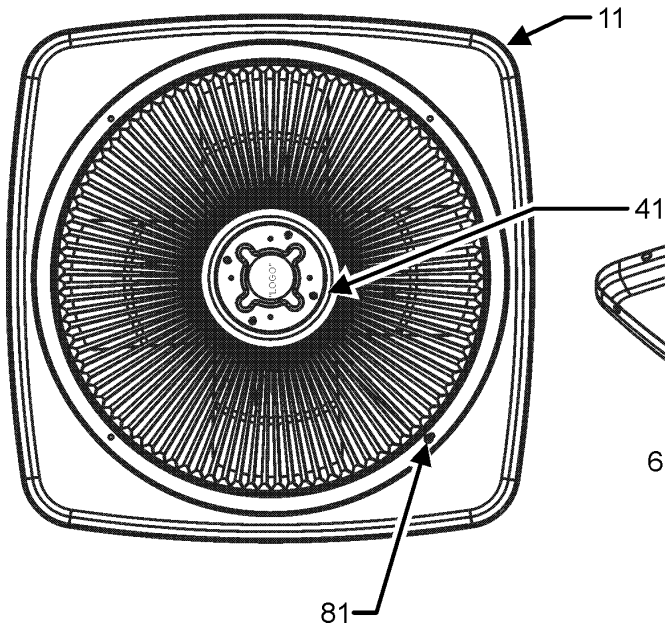
Ref. Part No:	Ref. Part No:	Description:	Description:
<b>Image 1:</b>		<b>Image 1:</b>	
11	0201R00230	COIL TUBING ASSY (M8)	171 50N382YV-ZAKM 1.5T RECHI COMPRESSOR (4-LEGS) (M1, M2)
11	0201R00279	COIL TUBING ASSY (M13, M14)	171 50N492ZV-ZAKM 2.0TONRECHI COMPR.4 LEGS (M5, M6)
11	0201R00296	COIL TUBING ASSY (M11, M12, M15)	171 50N6229V-ZAKM 2.5 TON RECHI COMPR. 4 LEGS (M9, M10)
11	0201R00385	COIL TUBING ASSY (M19, M20)	171 5VS250FAA21 COMPRESSOR, PANASONIC (M11)
11	0201R00433	COIL TUBING ASSY (M21, M22)	271 M0221641 TF SHOULDER SCREW (M4, M7, M8, M12, M13, M14, M15, M16, M17, M18, M19, M20, M21, M22)
11	0201R00458	COIL TUBING ASSY (M1, M2, M4, M5, M6)	
11	0201R00566	COIL TUBING ASSY (M9, M10, M16, M17, M18)	281 B1339533 COMPRESSOR GROMMET (M4, M7, M8, M12, M13, M14, M15, M16, M17, M18, M19, M20, M21, M22)
11	0201R00666	COIL TUBING ASSY (M7)	
11	0201R00683	COIL TUBING ASSY (M3)	
31	0151R00079	BASE VALVE 3/4" (M1, M2, M3, M4, M5, M6, M7, M8, M9, M10, M11, M12, M13, M14, M15)	NS 0160M00012 COMPRESSOR BLANKET (M11)
			NS 0160M00036 COMPRESSOR BLANKET (M9, M10)
31	0151R00080	BASE VALVE 7/8" (M16, M17, M18, M19, M20, M21, M22)	NS B1789851 FLOW CHECK PISTON KIT .051 (M1, M2, M3)
			NS B1789853 FLOW CHECK PISTON KIT .053 (M4)
41	0151R00167	BASE VALVE 3/8"	NS B1789857 FLOW CHECK PISTON KIT .057 (M5, M6, M7)
51	0130M00089	SW-CUTOUT HI PRESS (M1, M2, M3, M5, M6, M9, M10, M11)	NS B1789863 FLOW CHECK PISTON KIT .063 (M12)
			NS B1789865 FLOW CHECK PISTON KIT .065 (M8)
61	0154M00003	GASKET, TERM COVER (M11)	NS B1789867 FLOW CHECK PISTON KIT .067 (M9, M10, M11)
61	60100107	TERMINAL COVER GASKET (M1, M2, M3, M5, M6, M9, M10)	NS B1789868 FLOW CHECK PISTON KIT .068 (M13, M14)
			NS B1789871 FLOW CHECK PISTON KIT .071 (M15)
71	0130M00028	TERMINAL COVER (M11)	NS B1789874 FLOW CHECK PISTON KIT .074 (M16, M17, M18)
71	60100317	TERMINAL COVER (M1, M2, M3, M5, M6, M9, M10)	NS B1789878 FLOW CHECK PISTON KIT .078 (M19, M20)
81	0163M00468	TERMINAL COVER NUT (M11)	NS B1789888 FLOW CHECK PISTON KIT .088 (M21, M22)
81	60100401	TERMINAL NUT - RECHI COMP (M1, M2, M3, M5, M6, M9, M10)	
91	0154M00078	TERMINAL COVER NUT GASKET (M11)	
91	60100201	WASHER - RECHI COMPRESSOR (M1, M2, M3, M5, M6, M9, M10)	
101	60140209	GROMMET - RECHI COMPRESSOR (M1, M2, M3, M5, M6, M9, M10)	
101	0164M00000P	GROMMET, COMP, PANASONIC (M11)	
111	0163M00505	SCREW, SHOULDER WITH SPACER (M11)	
111	0163M00186	SCREW-SHOULDER TF (M1, M2, M3, M5, M6, M9, M10)	
121	0159R00000P	HARNESS, COMP SCROLL 130 36" (M4, M7, M15)	
121	0159R00001P	HARNESS, COMP SCROLL 130 42" (M8, M12, M13, M14, M16, M17, M18)	
121	0159R00002P	HARNESS, COMP SCROLL 130 46" (M19, M20)	
121	0159R00017	HARNESS, COMP-SCROLL (M21, M22)	
131	0162R00009	FILTER DRIER	
141	0121R00005PDG	BASE PAN 26" (M1, M2, M4, M5, M6, M7)	
141	0121R00006PDG	BASE PAN 29" (M8, M9, M10, M11, M12, M13, M14, M15, M16, M17, M18)	
141	0121R00007PDG	BASE PAN 35" (M19, M20, M21, M22)	
141	0121R00272PDG	BASE PAN, 23", PNT DG (M3)	
151	0163R00002	HEATER, CRANKCASE 230V, 40W (M9, M10)	
161	ZP14K6EPFV120	COMP, 20200, 208/230/60/1 (M4)	
161	ZP24K6EPFV120	COMP, 32500, 208/230/60/1 (M12)	
161	ZP29K6EPFV120	COMP, 39700, 208/230/60/1 (M15)	
161	ZP20K5EPFV130	COMP,20000,208/230/60/1 (M7)	
161	ZP24K5EPFV130	COMP,24000,208/230/60/1 (M8)	
161	ZP29K5EPFV130	COMP,29000,208/230/60/1 (M13, M14)	
161	ZP31K5EPFV130	COMP,31100,208/230/60/1 (M16, M17, M18)	
161	ZP38K5EPFV130	COMP,37500,208/230/60/1 (M19, M20)	
161	ZP49K5EPFV130	COMP,49400,208/230/60/1 (M21, M22)	
171	50N382YV-5AKM	1.5T RECHI COMPRESSOR (3-LEGS) (M3)	

### Expanded Model Nomenclature

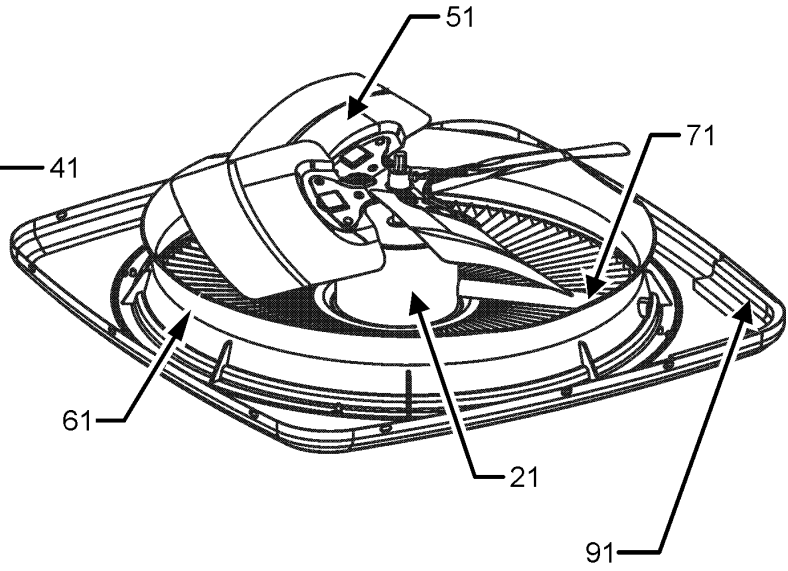
M1 - GSX140181LB
M2 - GSX140181LC
M3 - GSX140181MA
M4 - GSX140191KC
M5 - GSX140241LC
M6 - GSX140241LD
M7 - GSX140251LB
M8 - GSX140301KC
M9 - GSX140301LA
M10 - GSX140301LB
M11 - GSX140301NA
M12 - GSX140311KC
M13 - GSX140361KD
M14 - GSX140361KE
M15 - GSX140371KD
M16 - GSX140421KD
M17 - GSX140421KE
M18 - GSX140431KD
M19 - GSX140481KC
M20 - GSX140481KD
M21 - GSX140601KC
M22 - GSX140601KD

# Top and Louver Panel Assembly

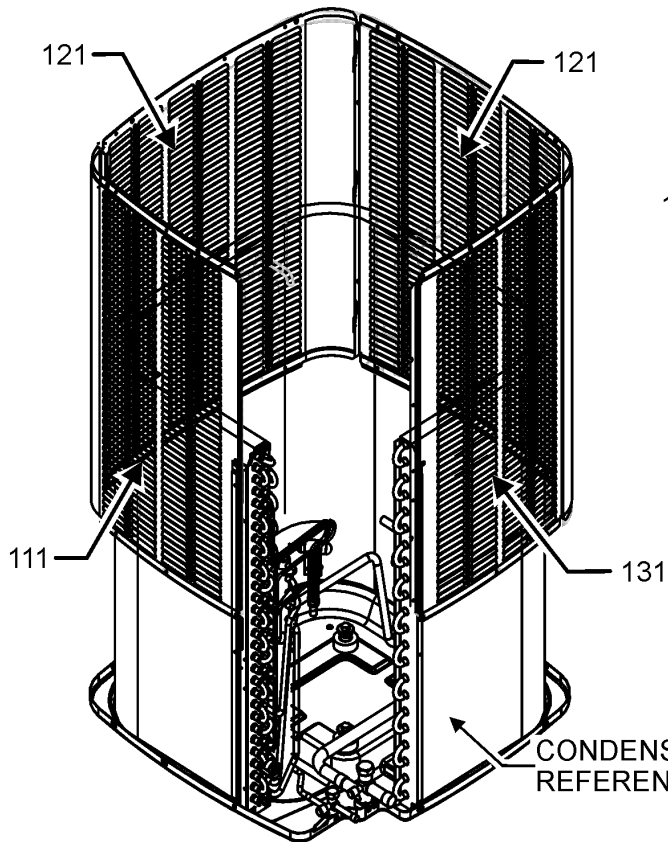
TOP PANEL ASSEMBLY  
TOP VIEW



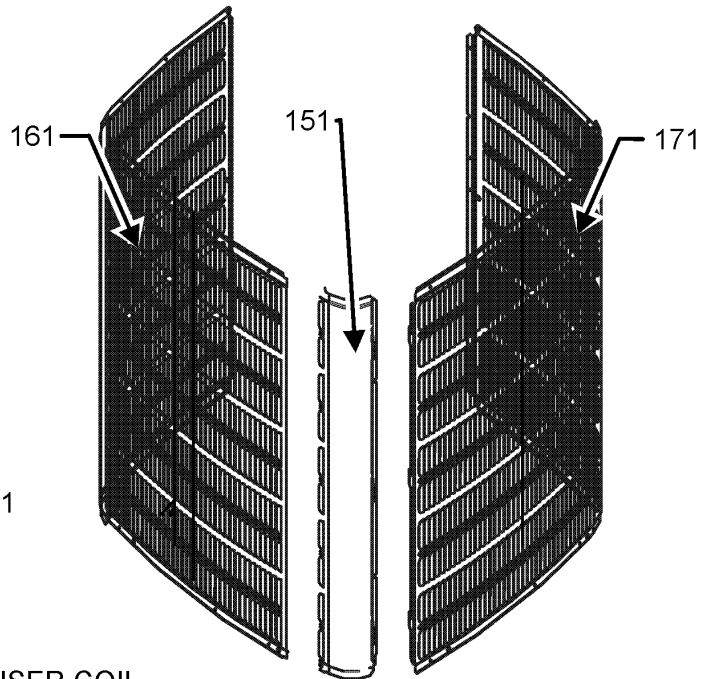
TOP PANEL ASSEMBLY  
BOTTOM VIEW



LOUVER PANEL ASSEMBLY STYLE 1



LOUVER PANEL ASSEMBLY STYLE 2





# Top and Louver Panel Assembly

Ref. Part No:	Ref. Part No:	Description:	Description:
<b>Image 1:</b>		<b>Image 1:</b>	
11	0121R00270PDG	PANEL, TOP, PNT DG (M3)	171 0121R00342PDGRS Louver Panel, PDG 29"_28.73 (M8, M11, M12, M13, M14, M15)
11	0121R00008PDG	TOP PANEL 26" (M1, M2, M4, M5, M6, M7)	171 0121R00344PDGRS Louver Panel, PDG 29"_32.51 (M9, M10, M16, M17, M18)
11	0121R00010PDG	TOP PANEL 29" (M8, M9, M10, M11, M12, M13, M14, M15, M16, M17, M18)	171 0121R00274PDGRS PANEL, LOUVER 23_25.2, PNT DG (M3)
11	0121R00269PDG	Top Panel, 35" Pnt (M19, M20, M21, M22)	NS 0121R00297 RAIN SHEILD (M3)
21	0131M00266	1/8 HP 8 PL PSC MOTOR (M1, M6)	NS 0163M00005P WASHER, BLACK (.50 OD .218D) (M1, M2, M4, M5, M6, M7, M8, M9, M10, M11, M12, M13, M14, M15, M16, M17, M18, M19, M20, M21, M22)
21	0131M00811	1/8 HP 8 PL PSC MOTOR (M2, M4, M5, M7)	
21	0131M00807	MOTOR, 1/4HP, 1SP, 8PL, AL (M19, M20, M21, M22)	
21	0131M00753	MOTOR, 1/6HP, 1SP, 8PL, AL (M8, M9, M10, M11, M12, M13, M14, M15, M16, M17, M18)	
21	0131M00593	MOTOR, 1/8 HP, ISP, 6PL, AL (M3)	
41	0163M00006P	ACORN NUT 5/16 HEX BLACK (QTY 4)	
51	0150M00012	BLADE-FAN 20" CCW (M1, M2, M4, M5, M6, M7)	
51	0150M00030	FAN BLADE, 18" (M3)	
51	0150M00008	FAN BLADE, 22" TNT2203-25 (M8, M9, M10, M11, M12, M13, M14, M15, M16, M17, M18)	
51	0150M00054	FAN BLADE, 26" (M19, M20, M21, M22)	
61	0161R00048	MOLDED RING-VENTURI 22 (M13)	
61	0161R00007P	RING, VENTURI 35" (M19, M20)	
61	0161L00000	RING-VENTURI 22 (M8, M9, M10, M11, M12, M14, M15, M16, M17, M18)	
71	0161R00001P	CONDUIT (M1, M2, M4, M5, M6, M7)	
71	0161R00002P	CONDUIT (M8, M9, M10, M11, M12, M13, M14, M15, M16, M17, M18)	
71	0161R00004P	CONDUIT (M19, M20)	
71	0161R00005P	CONDUIT (M21, M22)	
71	0161R000032	conduit (M3)	
81	0163M00003P	SCREW,#10 X 1/2,A,SLOT,SR,BLK (M1, M2, M3, M5, M6, M9, M10)	
81	0163M00004	SCREW,#10X3/4", BLK (M4, M7, M8, M11, M12, M13, M14, M15, M16, M17, M18, M19, M20, M21, M22)	
91	0154R00006	GASKET, CONTROL PANEL (M1, M2, M4, M5, M6, M7, M8, M9, M10, M11, M12, M13, M14, M15, M16, M17, M18, M19, M20, M21, M22)	
111	0121R00228PDG	PANEL 1, LOUVER 35, 5MM, PNT (M19, M20)	
111	0121R00229PDG	PANEL 1, LOUVER 35, 37.8 5MM, PNT (M21, M22)	
121	0121R00232PDG	PANEL 2, LOUVER 35 (M21, M22)	
121	0121R00231PDG	PANEL 2, LOUVER 35, 5MM, PNT (M19, M20)	
131	0121R00235PDG	PANEL 3, LOUVER 35, 37.8 (M21, M22)	
131	0121R00234PDG	PANEL 3, LOUVER 35, 5MM, PNT (M19, M20)	
151	0121R00347PDG	Louver Post, PD G 23.73 (M1, M2, M4, M5, M6)	
151	0121R00350PDG	Louver Post, PD G 28.73 (M7, M8, M11, M12, M13, M14, M15)	
151	0121R00352PDG	Louver Post, PD G 32.51 (M9, M10, M16, M17, M18)	
151	0121R00280PDG	POST, LOUVER 23_25.2, PNT DG (M3)	
161	0121R00336PDGLS	Louver Panel, PD G 26"_23.73 (M1, M2, M4, M5, M6)	
161	0121R00337PDGLS	Louver Panel, PD G 26"_28.73 (M7)	
161	0121R00342PDGLS	Louver Panel, PD G 29"_28.73 (M8, M11, M12, M13, M14, M15)	
161	0121R00344PDGLS	Louver Panel, PD G 29"_32.51 (M9, M10, M16, M17, M18)	
161	0121R00274PDGLS	PANEL, LOUVER 23_25.2, PNT DG (M3)	
171	0121R00336PDGRS	Louver Panel, PD G 26"_23.73 (M1, M2, M4, M5, M6)	
171	0121R00337PDGRS	Louver Panel, PD G 26"_28.73 (M7)	

### Expanded Model Nomenclature

M1 - GSX140181LB
M2 - GSX140181LC
M3 - GSX140181MA
M4 - GSX140191KC
M5 - GSX140241LC
M6 - GSX140241LD
M7 - GSX140251LB
M8 - GSX140301KC
M9 - GSX140301LA
M10 - GSX140301LB
M11 - GSX140301NA
M12 - GSX140311KC
M13 - GSX140361KD
M14 - GSX140361KE
M15 - GSX140371KD
M16 - GSX140421KD
M17 - GSX140421KE
M18 - GSX140431KD
M19 - GSX140481KC
M20 - GSX140481KD
M21 - GSX140601KC
M22 - GSX140601KD