



REPAIR PARTS

GSX13 Remote Condensing Unit

GSX130181EG
GSX130181EH
GSX130181EJ
GSX130241ED
GSX130241EE
GSX130241FA
GSX130301BG
GSX130301LA
GSX130301LB
GSX130361EE
GSX130361EF
GSX130361EH
GSX130361EJ
GSX130361EK
GSX130421BF
GSX130421BG
GSX130421BH
GSX130421BJ
GSX130481BF
GSX130481BG
GSX130601BG
GSX130601BH
GSX130611AD



This manual is to be used by qualified technicians only.

This manual replaces RP-G4306E.

© 2016 - 2020 Goodman Manufacturing Company, L.P. ♦ 5151 San Felipe St, Suite 500 ♦ Houston, TX 77056

Important Information

Index

Functional Parts List	3
Illustration and Parts	4 - 9

Views shown are for parts illustrations only, not servicing procedures

Text Codes:

AR - As Required

NA - Not Available

NS - Not Shown

00000000 - See Note

QTY - Quantity Example (QTY 3) (If Quantity not shown, Quantity = 1)

M - Model Example (M1) (If M Code not shown, then part is used on all Models)

Expanded Model Nomenclature:

Example M1 - Model#1 M2 - Model#2 M3 - Model#3

Goodman Manufacturing Company, L.P. is not responsible for personal injury or property damage resulting from improper service. Review all service information before beginning repairs.

Warranty service must be performed by an authorized technician, using authorized factory parts. If service is required after the warranty expires, Goodman Manufacturing Company, L.P. also recommends contacting an authorized technician and using authorized factory parts.

Goodman Manufacturing Company, L.P. reserves the right to discontinue, or change at any time, specifications or designs without notice or without incurring obligations.

For assistance within the U.S.A. contact:
Homeowner Support
Goodman Manufacturing Company, L.P.
19001 Kermier Road
Waller, Texas 77484
877-254-4729-Telephone
713-863-2382-Facsimile

For assistance outside the U.S.A. contact:
International Division
Goodman Manufacturing Company, L.P.
19001 Kermier Road
Waller, Texas 77484
713-861-2500-Telephone
713-863-2382-Facsimile

Functional Parts

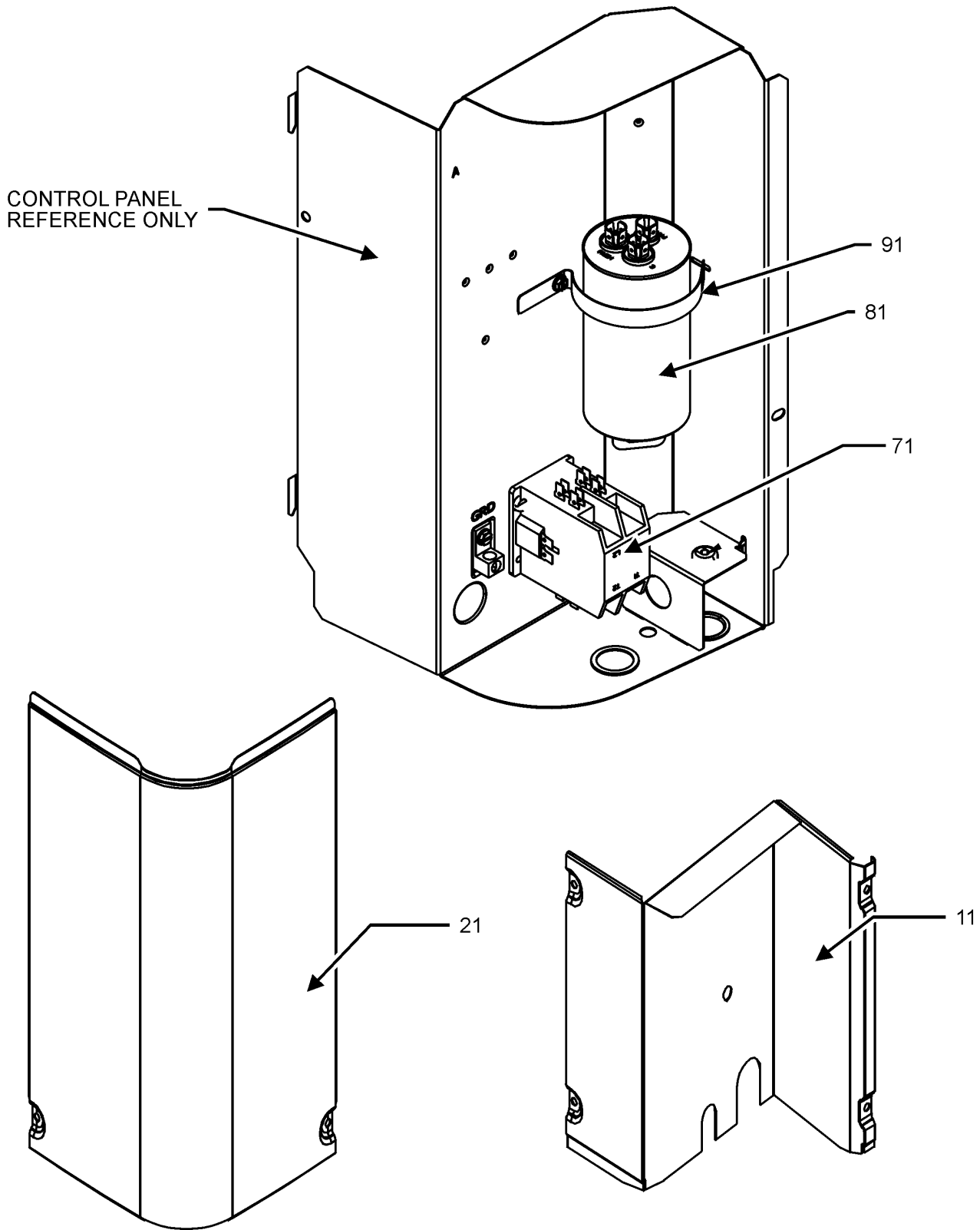
Part No: **Description:**

Part No:	Description:	Expanded Model Nomenclature
0131M00811	1/8 HP 8 PL PSC MOTOR (M9)	M1 - GSX130181EG
0131M00266	1/8 HP 8 PL PSC MOTOR (M8)	M2 - GSX130181EH
0151R00079	BASE VALVE 3/4" (M1)	M3 - GSX130181EJ
0151R00185	BASE VALVE 3/4" (M2, M3, M4, M5, M6, M7, M8, M9, M10, M11, M12, M13, M14)	M4 - GSX130241ED
0151R00187	BASE VALVE 3/8"	M5 - GSX130241EE
0151R00186	BASE VALVE 7/8" (M15, M16, M17, M18, M19, M20, M21, M22, M23)	M6 - GSX130241FA
CAP050350440CS	CAP, 5/35 MFD/440V/DUAL RD (M1, M2, M3)	M7 - GSX130301BG
CAP050400440CT	CAP, 5/40 MFD/440V/DUAL RD (M7)	M8 - GSX130301LA
CAP050450440CT	CAP, 5/45 MFD/440V/DUAL RD (M4, M5, M6, M10, M11, M12, M13, M14, M15, M16, M17, M18, M19, M20)	M9 - GSX130301LB
CAP050500440CT	CAP, 5/50 MFD/440V/DUAL RD (M8, M9)	M10 - GSX130361EE
CAP050700440CT	CAP, 5/70 MFD/440V/DUAL RD (M21, M22, M23)	M11 - GSX130361EF
ZP24K5EPFV130	COMP,24000,208/230/60/1 (M7)	M12 - GSX130361EH
ZP29K5EPFV130	COMP,29000,208/230/60/1 (M10, M11, M12)	M13 - GSX130361EJ
ZP49K5EPFV130	COMP,49400,208/230/60/1 (M21, M22)	M14 - GSX130361EK
ZP34K5EPFV130	COMPRESSOR 34500, 208/230/60/1 (M15, M16, M17, M18)	M15 - GSX130421BF
ZP39K5EPFV130	COMPRESSOR 39000, 208/230/60/1 (M19, M20)	M16 - GSX130421BG
ZP51K5EPFV130	COMPRESSOR 51000, 208/230/60/1 (M23)	M17 - GSX130421BH
CONT1P025024V	CONTACTOR 25 AMP, 1P, 24V (M1, M2, M3, M4, M5, M6, M7, M8, M9, M10, M11, M12, M13, M14, M15, M16, M17, M18)	M18 - GSX130421BJ
CONT1P030024V	CONTACTOR 30 AMP, 1P, 24V (M19, M20, M21, M22, M23)	M19 - GSX130481BF
0130M00089	CUT-OUT SWITCH, HIGH PRESSURE (M1, M4, M5, M8, M9)	M20 - GSX130481BG
0150M00067	FAN BLADE (M12, M14)	M21 - GSX130601BG
0150M00041	FAN BLADE (M8, M9, M10, M11, M13)	M22 - GSX130601BH
0150M00018	FAN BLADE 20" (M4, M5, M7)	M23 - GSX130611AD
0150M00030	FAN BLADE, 18" (M1, M2, M3, M6)	
B1086750	FAN BLADE, 22", 3 BLADE,24 DEG (M15, M16, M17, M18, M19, M20, M21, M22)	
0150M00054	FAN BLADE, 26" (M23)	
APG029KAC	LG COMP, 39600,208-230/60/1 (M13, M14)	
0131M00813	MOTOR, 1/4HP, 1SP, 6PL (M11, M13, M16, M18, M20, M22)	
0131M00018P	MOTOR, 1/4HP, 1SP, 6PL (M10, M15, M17, M19, M21)	
0131M00807	MOTOR, 1/4HP,1SP,8PL,AL (M23)	
0131M00593	MOTOR, 1/8 HP, ISP, 6PL, AL (M1, M2, M3, M6)	
0131M00800	MOTOR, 1/8HP, 1SP, 6PL, AL (M4, M5, M7)	
0131M00954	MOTOR, OD, PSC, 1/4HP (M12, M14)	

SPECIAL PARTS

0161R00009P NAMEPLATE, GOODMAN

Control Box Assembly



UPPER ACCESS COVER

LOWER ACCESS PANEL

Control Box Assembly

Ref. Part No:	Part No:	Description:	Ref. Part No:	Part No:	Description:
---------------	----------	--------------	---------------	----------	--------------

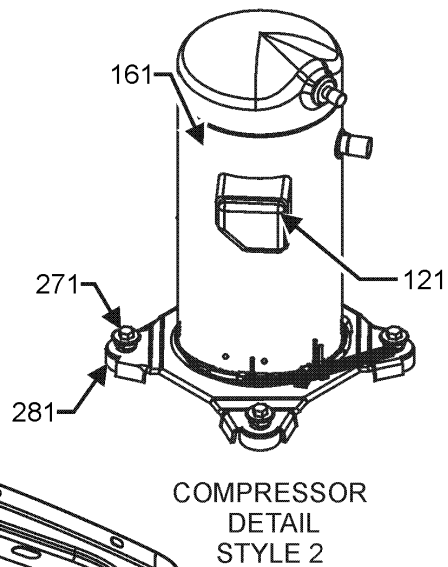
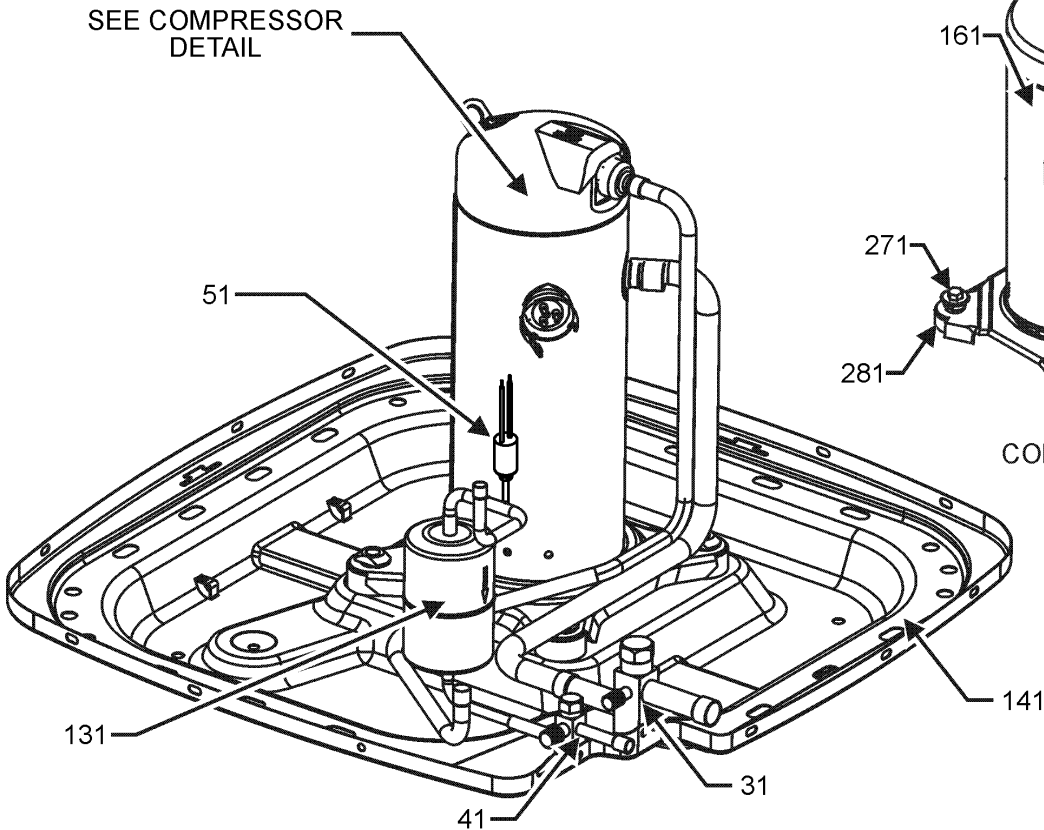
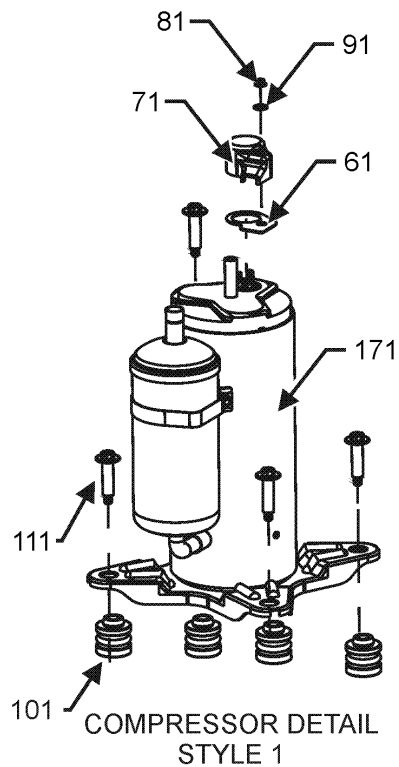
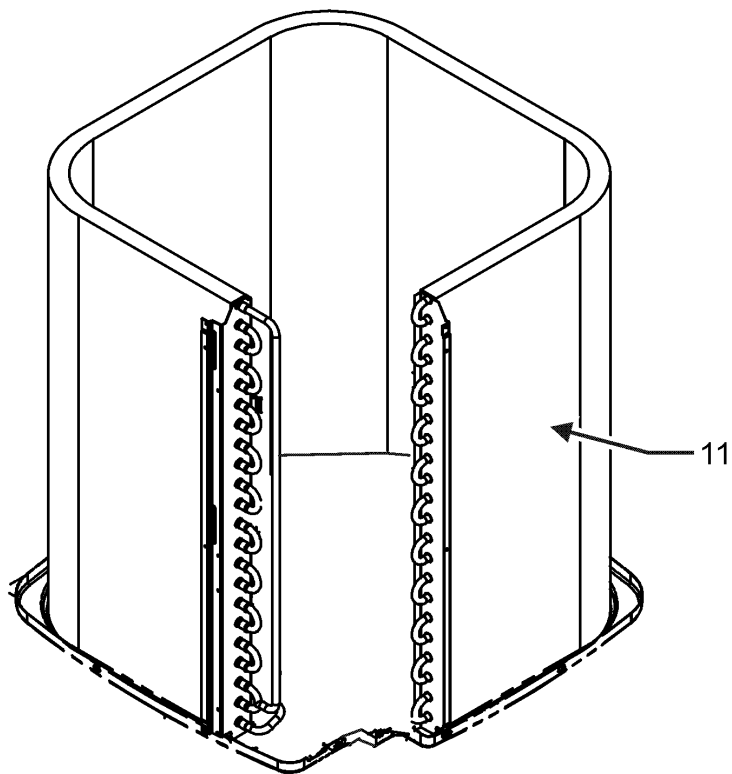
Image 1:

11	0121R00265PDG	LOWER ACCESS PANEL (M1, M2, M3, M6)
11	0121R00316PDG	LOWER ACCESS PANEL (M21, M22)
11	0121R00319PDG	LOWER ACCESS PANEL (M15, M16, M17, M18, M19, M20, M23)
11	0121R00326PDG	LOWER ACCESS PANEL (M4, M5, M7, M10, M11, M12, M13, M14)
11	0121R00663PDG	LOWER ACCESS PANEL (M8, M9)
21	0121R00053PDG	CONTROL COVER (M4, M5, M7, M8, M9, M10, M11, M12, M13, M14, M15, M16, M17, M18, M19, M20, M21, M22, M23)
21	0121R00268PDG	CONTROL COVER (M1, M2, M3, M6)
71	CONT1P025024V	CONTACTOR 25 AMP, 1P, 24V (M1, M2, M3, M4, M5, M6, M7, M8, M9, M10, M11, M12, M13, M14, M15, M16, M17, M18)
71	CONT1P030024V	CONTACTOR 30 AMP, 1P, 24V (M19, M20, M21, M22, M23)
81	CAP050350440CS	CAP, 5/35 MFD/440V/DUAL RD (M1, M2, M3)
81	CAP050400440CT	CAP, 5/40 MFD/440V/DUAL RD (M7)
81	CAP050450440CT	CAP, 5/45 MFD/440V/DUAL RD (M4, M5, M6, M10, M11, M12, M13, M14, M15, M16, M17, M18, M19, M20)
81	CAP050500440CT	CAP, 5/50 MFD/440V/DUAL RD (M8, M9)
81	CAP050700440CT	CAP, 5/70 MFD/440V/DUAL RD (M21, M22, M23)
91	4400065	CAPACITOR STRAP
NS	0161R00009P	NAMEPLATE, GOODMAN

Expanded Model Nomenclature

M1 - GSX130181EG
M2 - GSX130181EH
M3 - GSX130181EJ
M4 - GSX130241ED
M5 - GSX130241EE
M6 - GSX130241FA
M7 - GSX130301BG
M8 - GSX130301LA
M9 - GSX130301LB
M10 - GSX130361EE
M11 - GSX130361EF
M12 - GSX130361EH
M13 - GSX130361EJ
M14 - GSX130361EK
M15 - GSX130421BF
M16 - GSX130421BG
M17 - GSX130421BH
M18 - GSX130421BJ
M19 - GSX130481BF
M20 - GSX130481BG
M21 - GSX130601BG
M22 - GSX130601BH
M23 - GSX130611AD

Compressor and Tubing Assembly



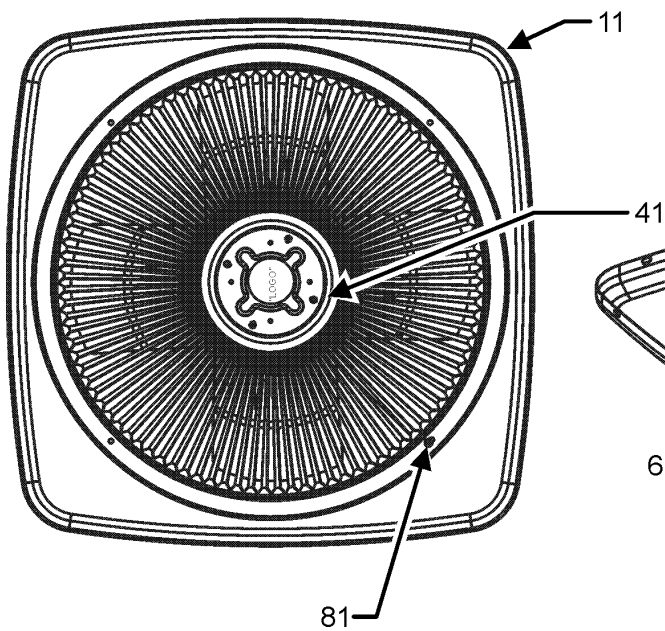
ACTUAL TUBING ASSEMBLY MAY DIFFER FROM WHAT IS SHOWN

Compressor and Tubing Assembly

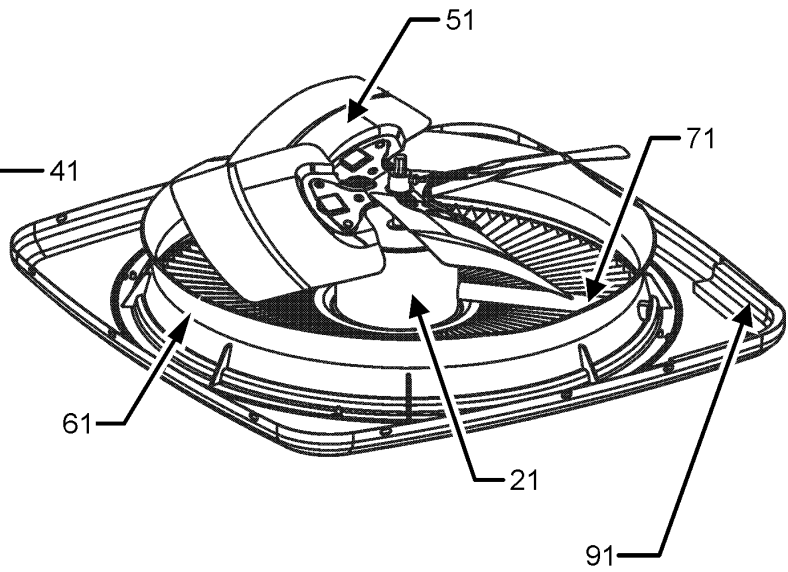
Ref. Part No:	Ref. Part No:	Description:	Description:	
Image 1:		Image 1:		
11	0201R00453	COIL CIRCUIT ASSY (M1)	171 50N382YV-5AKM 1.5T RECHI COMPRESSOR (3-LEGS) (M1, M3)	
11	0201R00349	COIL TUBING ASSY (M21, M22)	171 50N492ZV-5AKM 2.0 TON RECHI COMPRESSOR (M6)	
11	0201R00385	COIL TUBING ASSY (M23)	171 50N492ZV-ZAKM 2.0TONRECHI COMPR.4 LEGS (M4, M5)	
11	0201R00458	COIL TUBING ASSY (M7, M10, M11, M12, M13, M14)	171 50N6229V-ZAKM 2.5 TON RECHI COMPR. 4 LEGS (M8, M9)	
11	0201R00472	COIL TUBING ASSY (M15, M16, M17, M18, M19, M20)	271 M0221641 TF SHOULDER SCREW (M7, M10, M11, M12, M13, M14, M15, M16, M17, M18, M19, M20, M21, M22, M23)	
11	0201R00510	COIL TUBING ASSY (M4, M5)	281 B1339533 COMPRESSOR GROMMET (M7, M10, M11, M12, M13, M14, M15, M16, M17, M18, M19, M20, M21, M22, M23)	
11	0201R00666	COIL TUBING ASSY (M8, M9)	NS 0160M00036 COMPRESSOR BLANKET (M8, M9)	
11	0201R00683	COIL TUBING ASSY (M2, M3, M6)	NS B1789851 FLOW CHECK PISTON KIT (M1, M2, M3)	
31	0151R00079	BASE VALVE 3/4" (M1)	NS B1789855 FLOW CHECK PISTON KIT (M4)	
31	0151R00185	BASE VALVE 3/4" (M2, M3, M4, M5, M6, M7, M8, M9, M10, M11, M12, M13, M14)	NS B1789857 FLOW CHECK PISTON KIT (M5, M6)	
31	0151R00186	BASE VALVE 7/8" (M15, M16, M17, M18, M19, M20, M21, M22, M23)	NS B1789861 FLOW CHECK PISTON KIT (M7)	
41	0151R00187	BASE VALVE 3/8"	NS B1789867 FLOW CHECK PISTON KIT (M8, M9)	
51	0130M00089	CUT-OUT SWITCH, HIGH PRESSURE (M1, M4, M5, M8, M9)	NS B1789870 FLOW CHECK PISTON KIT (M10, M11, M12, M13, M14)	
61	60100107	TERMINAL COVER GASKET (M2, M3, M4, M5, M6, M8, M9)	NS B1789876 FLOW CHECK PISTON KIT (M15, M16, M17, M18)	
71	60100317	TERMINAL COVER (M2, M3, M4, M5, M6, M8, M9)	NS B1789880 FLOW CHECK PISTON KIT (M19, M20)	
81	60100401	TERMINAL NUT - RECHI COMP (M1, M2, M3, M4, M5, M6, M8, M9)	NS B1789886 FLOW CHECK PISTON KIT (M21, M22, M23)	
91	60100201	WASHER - RECHI COMPRESSOR (M1, M2, M3, M4, M5, M6, M8, M9)	Expanded Model Nomenclature	
101	60140209	GROMMET - RECHI COMPRESSOR (M1, M2, M3, M4, M5, M6, M8, M9)	M1 - GSX130181EG	
111	0163M00186	SCREW-SHOULDER TF (M1, M2, M3, M4, M5, M6, M8, M9)	M2 - GSX130181EH	
121	0159R00000P	HARNESS, COMP SCROLL 130 36" (M7, M10, M11, M12)	M3 - GSX130181EJ	
121	0159R00001P	HARNESS, COMP SCROLL 130 42" (M15, M16, M17, M18, M19, M20)	M4 - GSX130241ED	
121	0159R00022	HARNESS, COMP SCROLL 42" (M13, M14)	M5 - GSX130241EE	
121	0159R00017	HARNESS, COMP-SCROLL (M21, M22, M23)	M6 - GSX130241FA	
131	0162R00009	FILTER DRIER (M1, M4, M5, M7, M8, M9, M10, M11, M12, M13, M14, M15, M16, M17, M18, M19, M20, M21, M22, M23)	M7 - GSX130301BG	
141	0121R00272PDG	BASE PAN, 23", PNT DG (M1, M2, M3, M6)	M8 - GSX130301LA	
141	0121R00005PDG	BASE PAN, 26" PNT (M4, M5, M7, M8, M9, M10, M11, M12, M13, M14)	M9 - GSX130301LB	
141	0121R00006PDG	BASE PAN, 29" PNT (M15, M16, M17, M18, M19, M20, M21, M22)	M10 - GSX130361EE	
141	0121R00007PDG	BASE PAN, 35.5" PNT (M23)	M11 - GSX130361EF	
161	ZP24K5EPFV130	COMP,24000,208/230/60/1 (M7)	M12 - GSX130361EH	
161	ZP29K5EPFV130	COMP,29000,208/230/60/1 (M10, M11, M12)	M13 - GSX130361EJ	
161	ZP49K5EPFV130	COMP,49400,208/230/60/1 (M21, M22)	M14 - GSX130361EK	
161	ZP34K5EPFV130	COMPRESSOR 34500, 208/230/60/1 (M15, M16, M17, M18)	M15 - GSX130421BF	
161	ZP39K5EPFV130	COMPRESSOR 39000, 208/230/60/1 (M19, M20)	M16 - GSX130421BG	
161	ZP51K5EPFV130	COMPRESSOR 51000, 208/230/60/1 (M23)	M17 - GSX130421BH	
161	APG029KAC	LG COMP, 39600,208-230/60/1 (M13, M14)	M18 - GSX130421BJ	
171	50N382XV-5AKM	1.5 Rechi Compressor (M2)	M19 - GSX130481BF	
			M20 - GSX130481BG	
			M21 - GSX130601BG	
			M22 - GSX130601BH	
			M23 - GSX130611AD	

Cabinet Top and Side Panel Assembly

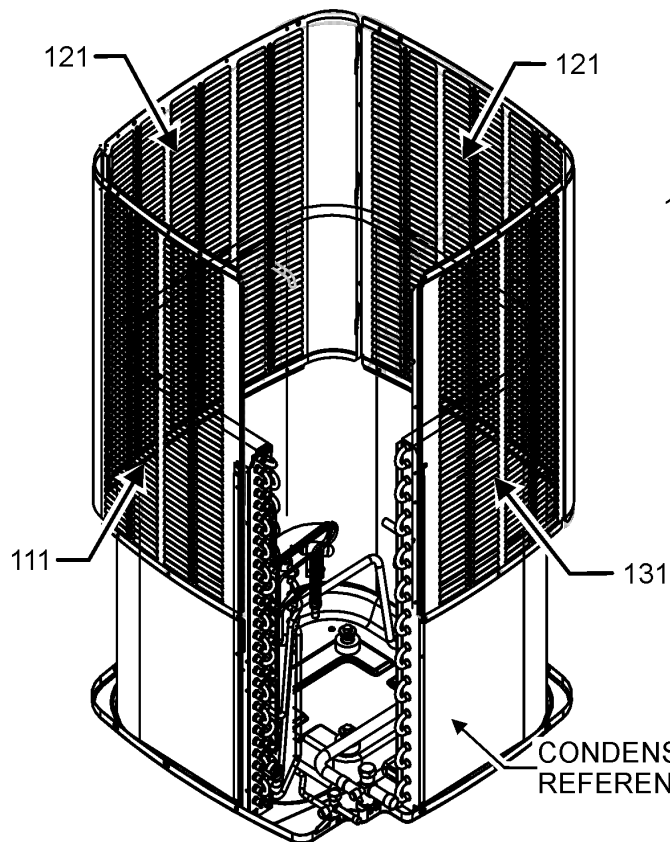
TOP VIEW



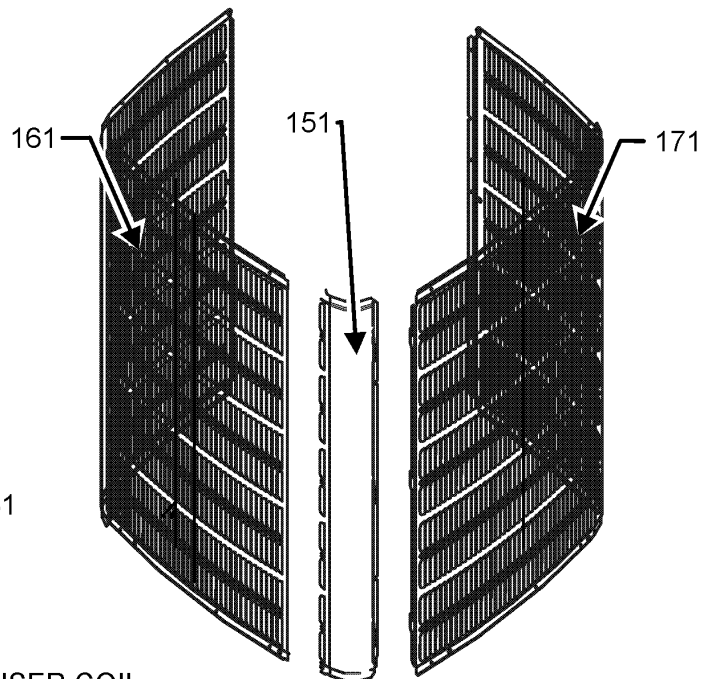
BOTTOM VIEW



LOUVER PANEL ASSEMBLY STYLE 1



LOUVER PANEL ASSEMBLY STYLE 2



Cabinet Top and Side Panel Assembly

Ref. Part No:	Ref. Part No:	Description:	Description:
Image 1:		Image 1:	
11	0121R00270PDG	TOP PANEL (M1, M2, M3, M6)	161 0121R00344PDGLS Louver Panel, PDG 29" _32.51 (M15, M16, M17, M18, M19, M20)
11	0121R00008PDG	TOP PANEL 26" (M4, M5, M7, M8, M9, M10, M11, M12, M13, M14)	161 0121R00346PDGLS Louver Panel, PDG 29" _36.30 (M21, M22)
11	0121R00010PDG	TOP PANEL 29" (M15, M16, M17, M18, M19, M20, M21, M22)	161 0121R00274PDGLS PANEL, LOUVER 23_25.2, PNT DG (M1, M2, M3, M6)
11	0121R00269PDG	Top Panel, 35" Pnt (M23)	171 0121R00336PDGRS Louver Panel, PDG 26" _23.73 (M4, M5, M7, M10, M11, M12, M13, M14)
21	0131M00266	1/8 HP 8 PL PSC MOTOR (M8)	171 0121R00337PDGRS Louver Panel, PDG 26" _28.73 (M8, M9)
21	0131M00811	1/8 HP 8 PL PSC MOTOR (M9)	171 0121R00344PDGRS Louver Panel, PDG 29" _32.51 (M15, M16, M17, M18, M19, M20)
21	0131M00018P	MOTOR, 1/4HP, 1SP, 6PL (M10, M15, M17, M19, M21)	171 0121R00346PDGRS Louver Panel, PDG 29" _36.30 (M21, M22)
21	0131M00813	MOTOR, 1/4HP, 1SP, 6PL (M11, M13, M16, M18, M20, M22)	171 0121R00274PDGRS PANEL, LOUVER 23_25.2, PNT DG (M1, M2, M3, M6)
21	0131M00807	MOTOR, 1/4HP, 1SP, 8PL, AL (M23)	NS 0121R00297 SHIELD, RAIN (M1, M2, M3, M6)
21	0131M00593	MOTOR, 1/8 HP, 1SP, 6PL, AL (M1, M2, M3, M6)	NS 0163M00005P WASHER, BLACK (.50 OD .218D) (M4, M5, M7, M8, M9, M10, M11, M12, M13, M14, M15, M16, M17, M18, M19, M20, M21, M22, M23)
21	0131M00800	MOTOR, 1/8HP, 1SP, 6PL, AL (M4, M5, M7)	
21	0131M00954	MOTOR, OD, PSC, 1/4HP (M12, M14)	
41	0163M00006P	ACORN NUT 5/16 HEX BLACK (M1)	
51	0150M00041	FAN BLADE (M8, M9, M10, M11, M13)	
51	0150M00067	FAN BLADE (M12, M14)	
51	0150M00018	FAN BLADE 20" (M4, M5, M7)	
51	0150M00030	FAN BLADE, 18" (M1, M2, M3, M6)	
51	B1086750	FAN BLADE, 22", 3 BLADE, 24 DEG (M15, M16, M17, M18, M19, M20, M21, M22)	
51	0150M00054	FAN BLADE, 26" (M23)	
61	0161L00000	VENTURI RING 22" (M15, M16, M17, M18, M19, M20, M21, M22)	
61	0161R00007P	VENTURI RING 35" (M23)	
71	0161R00001P	CONDUIT (M4, M5, M7, M8, M9, M10, M11, M12, M13, M14)	
71	0161R00002P	CONDUIT (M15, M16, M17, M18, M19, M20, M21, M22)	
71	0161R00004P	CONDUIT (M23)	
71	0161R00032	conduit (M1, M2, M3, M6)	
81	0163M00003P	SCREW #10 X 1/2, A, SLOT, SR, BLACK (M2, M3, M4, M5, M6, M7, M8, M9, M10, M11, M12, M13, M14)	
81	0163M00004	SCREW #10X3/4", BLACK (M15, M16, M17, M18, M19, M20, M21, M22, M23)	
91	0154R00006	GASKET, CONTROL PANEL (M4, M5, M7, M8, M9, M10, M11, M12, M13, M14, M15, M16, M17, M18, M19, M20, M21, M22, M23)	
111	0121R00228PDG	PANEL 1, LOUVER 35, 5MM, PNT (M23)	
121	0121R00231PDG	PANEL 2, LOUVER 35, 5MM, PNT (M23)	
131	0121R00234PDG	PANEL 3, LOUVER 35, 5MM, PNT (M23)	
151	0121R00347PDG	Louver Post, PDG 23.73 (M4, M5, M7, M10, M11, M12, M13, M14)	
151	0121R00350PDG	Louver Post, PDG 28.73 (M8, M9)	
151	0121R00352PDG	Louver Post, PDG 32.51 (M15, M16, M17, M18, M19, M20)	
151	0121R00354PDG	Louver Post, PDG 36.30 (M21, M22)	
151	0121R00280PDG	POST, LOUVER 23_25.2, PNT DG (M2, M3, M6)	
161	0121R00336PDGLS	Louver Panel, PDG 26" _23.73 (M4, M5, M7, M10, M11, M12, M13, M14)	
161	0121R00337PDGLS	Louver Panel, PDG 26" _28.73 (M8, M9)	

Expanded Model Nomenclature

M1 - GSX130181EG
M2 - GSX130181EH
M3 - GSX130181EJ
M4 - GSX130241ED
M5 - GSX130241EE
M6 - GSX130241FA
M7 - GSX130301BG
M8 - GSX130301LA
M9 - GSX130301LB
M10 - GSX130361EE
M11 - GSX130361EF
M12 - GSX130361EH
M13 - GSX130361EJ
M14 - GSX130361EK
M15 - GSX130421BF
M16 - GSX130421BG
M17 - GSX130421BH
M18 - GSX130421BJ
M19 - GSX130481BF
M20 - GSX130481BG
M21 - GSX130601BG
M22 - GSX130601BH
M23 - GSX130611AD