



REPAIR PARTS

GSX13 Remote Condensing Unit

GSX130421BK

GSX130481BH

GSX130601BJ



This manual is to be used by qualified technicians only.

© 2020 Goodman Manufacturing Company, L.P. ♦ 5151 San Felipe St, Suite 500 ♦ Houston, TX 77056

Important Information

Index

Functional Parts List	3
Illustration and Parts	4 - 9

Views shown are for parts illustrations only, not servicing procedures

Text Codes:

AR - As Required

NA - Not Available

NS - Not Shown

00000000 - See Note

QTY - Quantity Example (QTY 3) (If Quantity not shown, Quantity = 1)

M - Model Example (M1) (If M Code not shown, then part is used on all Models)

Expanded Model Nomenclature:

Example M1 - Model#1 M2 - Model#2 M3 - Model#3

Goodman Manufacturing Company, L.P. is not responsible for personal injury or property damage resulting from improper service. Review all service information before beginning repairs.

Warranty service must be performed by an authorized technician, using authorized factory parts. If service is required after the warranty expires, Goodman Manufacturing Company, L.P. also recommends contacting an authorized technician and using authorized factory parts.

Goodman Manufacturing Company, L.P. reserves the right to discontinue, or change at any time, specifications or designs without notice or without incurring obligations.

For assistance within the U.S.A. contact:
Homeowner Support
Goodman Manufacturing Company, L.P.
19001 Kermier Road
Waller, Texas 77484
877-254-4729-Telephone
713-863-2382-Facsimile

For assistance outside the U.S.A. contact:
International Division
Goodman Manufacturing Company, L.P.
19001 Kermier Road
Waller, Texas 77484
713-861-2500-Telephone
713-863-2382-Facsimile

Functional Parts

Part

No: **Description:**

0151R00167	BASE VALVE 3/8"
0151R00080	BASE VALVE 7/8"
CAP050450440CT	CAP, 5/45 MFD/440V/DUAL RD (M1, M2)
CAP050700440CT	CAP, 5/70 MFD/440V/DUAL RD (M3)
ZP49K5EPFV130	COMP,49400,208/230/60/1 (M3)
ZP34K5EPFV130	COMPRESSOR 34500, 208/230/60/1 (M1)
ZP39K5EPFV130	COMPRESSOR 39000, 208/230/60/1 (M2)
CONT1P025024V	CONTACTOR 25 AMP, 1P, 24V (M1)
CONT1P030024V	CONTACTOR 30 AMP, 1P, 24V (M2, M3)
B1086750	FAN BLADE 22", 3 BLADE, 24°
0131M00954	MOTOR, OD, PSC, 1/4HP

SPECIAL PARTS

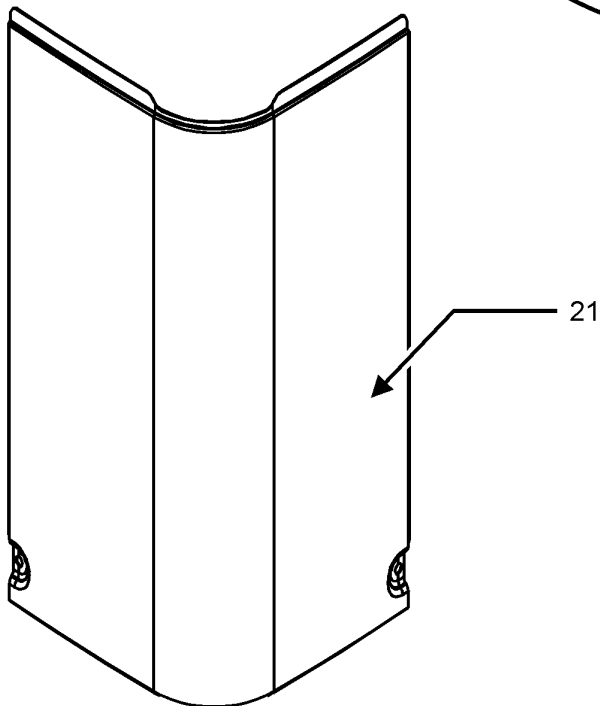
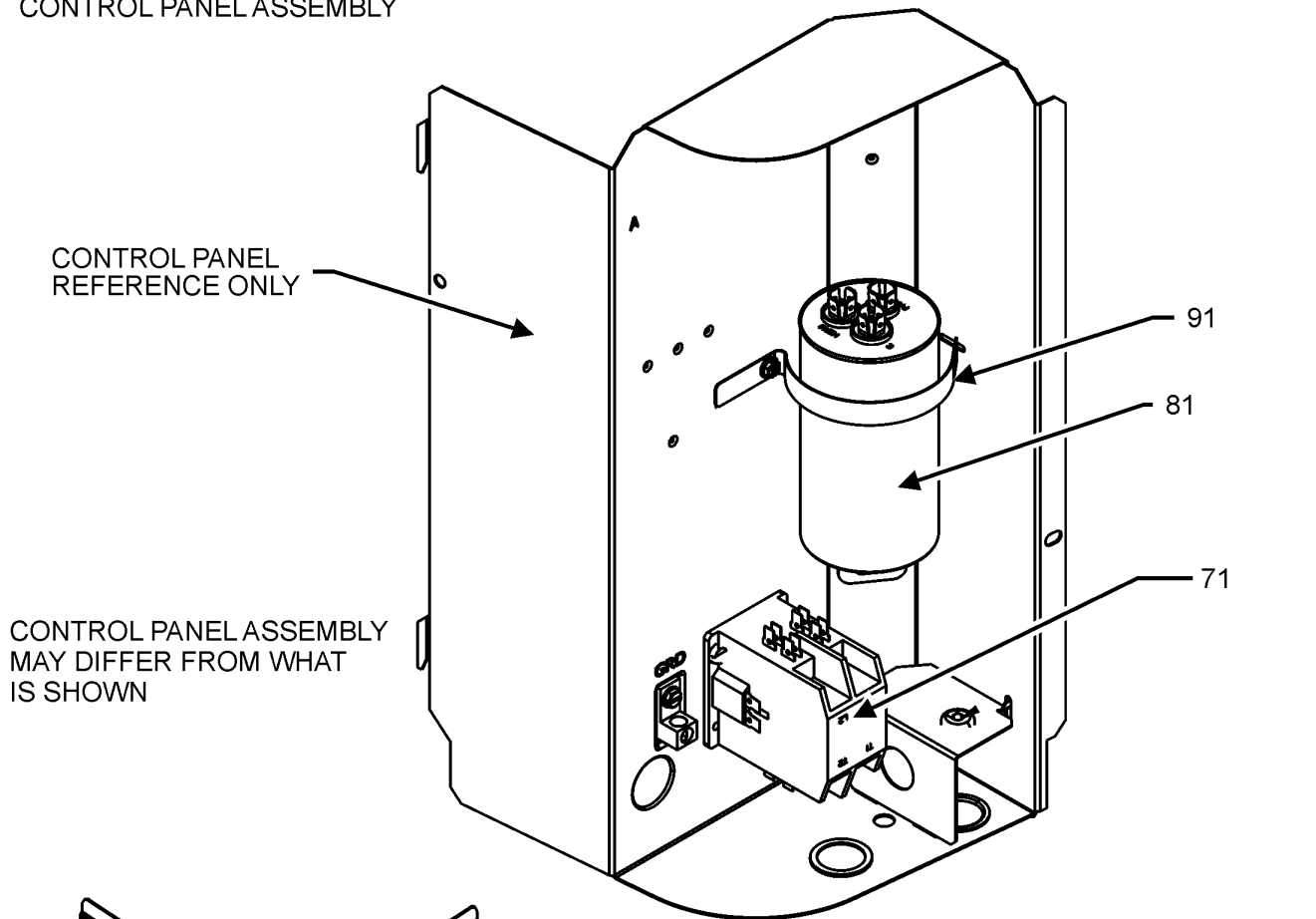
0161R00092 NAMEPLATE, GOODMAN

Expanded Model Nomenclature

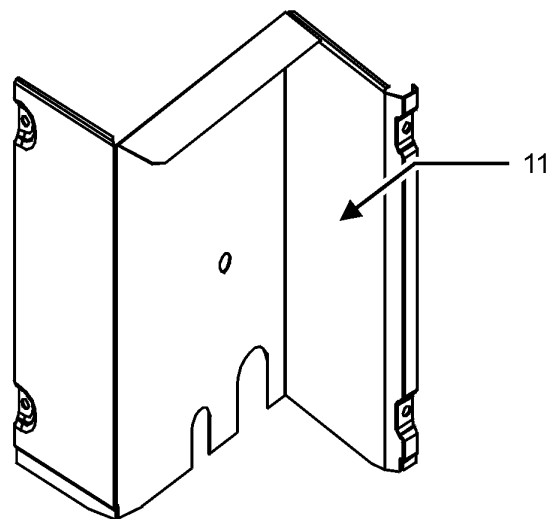
M1 - GSX130421BK
M2 - GSX130481BH
M3 - GSX130601BJ

Control Box Assembly

CONTROL PANEL ASSEMBLY



UPPER ACCESS COVER



LOWER ACCESS PANEL

Control Box Assembly

Ref. Part No:	No:	Description:	Ref. Part No:	No:	Description:
---------------	-----	--------------	---------------	-----	--------------

Image 1:

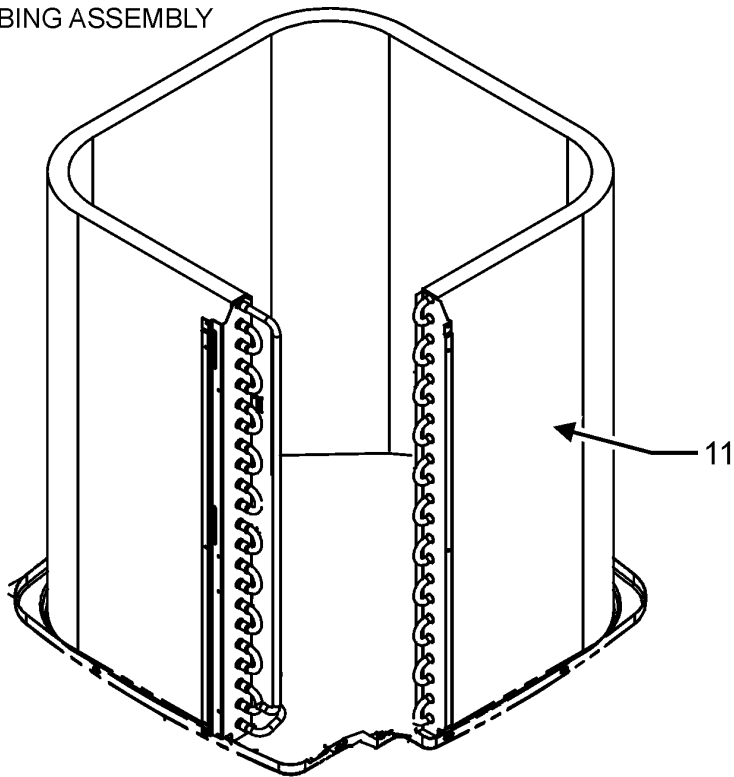
11	0121R00316PDG	LOWER ACCESS PANEL (M3)
11	0121R00319PDG	LOWER ACCESS PANEL (M1, M2)
21	0121R00053PDG	CONTROL COVER
71	CONT1P025024V	CONTACTOR 25 AMP, 1P, 24V (M1)
71	CONT1P030024V	CONTACTOR 30 AMP, 1P, 24V (M2, M3)
81	CAP050450440CT	CAP, 5/45 MFD/440V/DUAL RD (M1, M2)
81	CAP050700440CT	CAP, 5/70 MFD/440V/DUAL RD (M3)
91	4400065	CAPACITOR STRAP
NS	0161R00092	NAMEPLATE, GOODMAN

Expanded Model Nomenclature

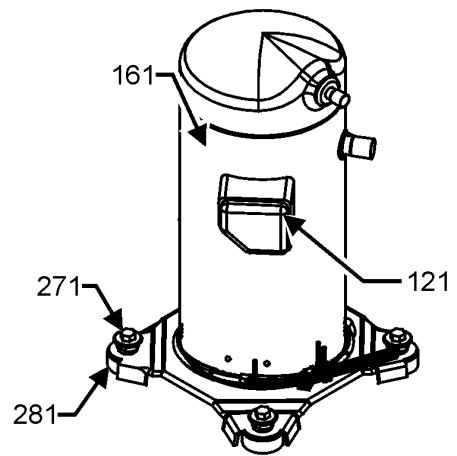
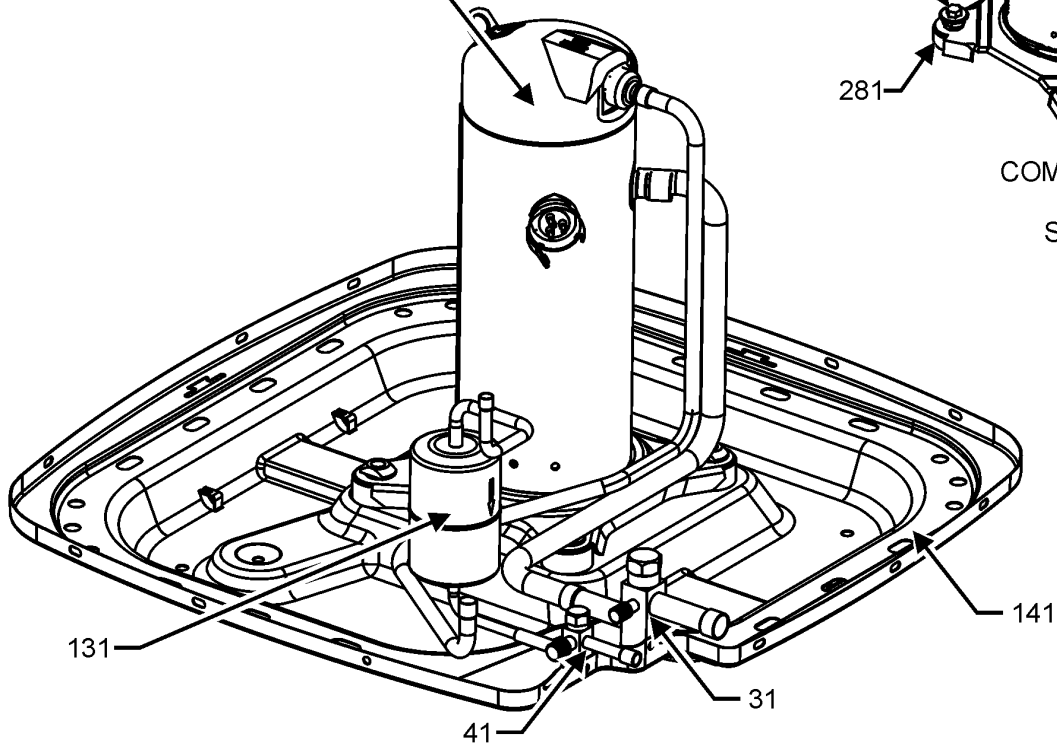
M1 - GSX130421BK
M2 - GSX130481BH
M3 - GSX130601BJ

Compressor and Tubing Assembly

TUBING ASSEMBLY



SEE COMPRESSOR
DETAIL



COMPRESSOR
DETAIL
STYLE 2

TUBING ASSEMBLY MAY DIFFER FROM WHAT IS SHOWN

Compressor and Tubing Assembly

Ref. Part No:	No:	Description:	Ref. Part No:	No:	Description:
---------------	-----	--------------	---------------	-----	--------------

Image 1:

11	0201R00349	COIL TUBING ASSY (M3)
11	0201R00472	COIL TUBING ASSY (M1, M2)
31	0151R00080	BASE VALVE 7/8"
41	0151R00167	BASE VALVE 3/8"
121	0159R00001P	HARNESS, COMP SCROLL 130 42" (M1, M2)
121	0159R00017	HARNESS, COMP-SCROLL (M3)
131	0162R00009	FILTER DRIER
141	0121R00006PDG	BASE PAN 29"
161	ZP49K5EPFV130	COMP,49400,208/230/60/1 (M3)
161	ZP34K5EPFV130	COMPRESSOR 34500, 208/230/60/1 (M1)
161	ZP39K5EPFV130	COMPRESSOR 39000, 208/230/60/1 (M2)
271	M0221641	TF SHOULDER SCREW (QTY 4)
281	B1339533	COMPRESSOR GROMMET (QTY 4)
NS	B1789876	FLOW CHECK PISTON KIT (M1)
NS	B1789880	FLOW CHECK PISTON KIT (M2)
NS	B1789886	FLOW CHECK PISTON KIT (M3)

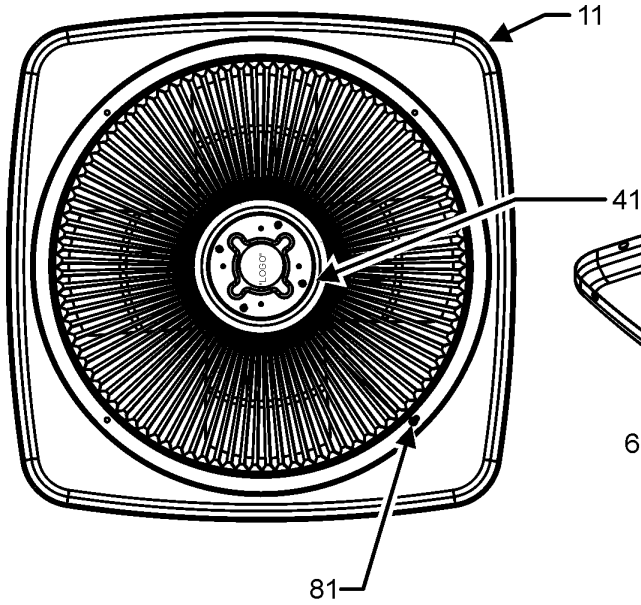
Expanded Model Nomenclature

M1 - GSX130421BK
M2 - GSX130481BH
M3 - GSX130601BJ

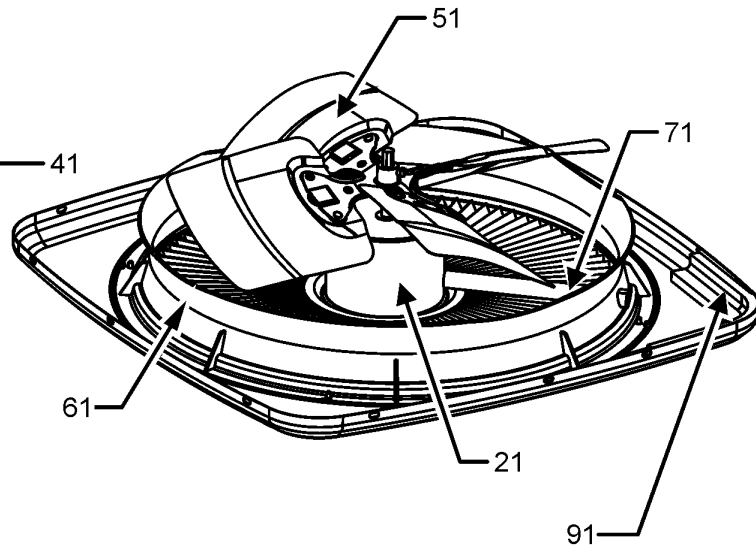
Cabinet Top and Side Panel Assembly

TOP PANEL AND LOUVER PANEL ASSEMBLY

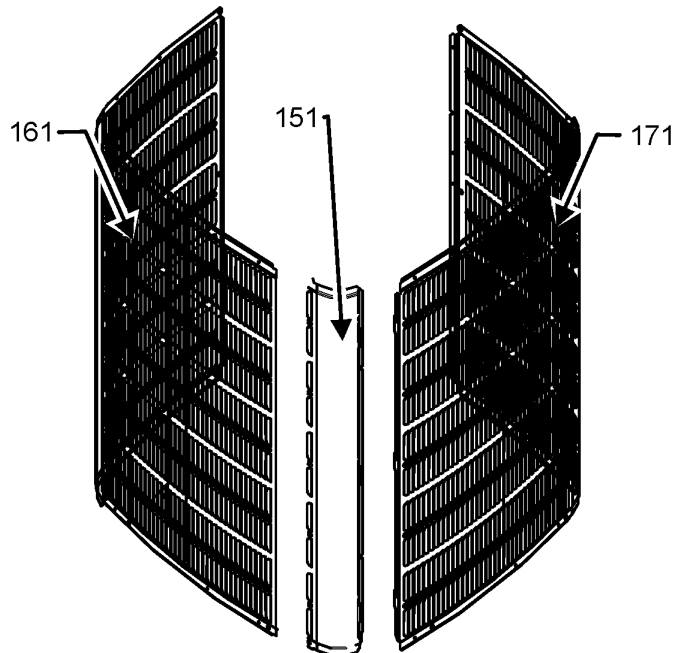
TOP VIEW



BOTTOM VIEW



LOUVER PANEL ASSEMBLY STYLE 2



TOP PANEL AND LOUVER PANEL ASSEMBLY MAY DIFFER FROM WHAT IS SHOWN

Cabinet Top and Side Panel Assembly

Ref. Part No:	Part No:	Description:	Ref. Part No:	Part No:	Description:
---------------	----------	--------------	---------------	----------	--------------

Image 1:

11	0121R00010PDG	TOP PANEL 29"			
21	0131M00954	MOTOR, OD, PSC, 1/4HP			
41	0163M00006P	ACORN NUT 5/16 HEX BLACK (QTY 4)			
51	B1086750	FAN BLADE 22", 3 BLADE, 24°			
61	0161L00000	VENTURI RING 22"			
71	0161R00002P	CONDUIT			
81	0163M00003P	SCREW #10 X 1/2, A, SLOT, SR, BLACK (QTY 18)			
81	0163M00004	SCREW #10X3/4", BLACK (QTY 4)			
91	0154R00006	GASKET, CONTROL PANEL			
151	0121R00352PDG	Louver Post, PD G 32.51 (M1, M2)			
151	0121R00354PDG	Louver Post, PD G 36.30 (M3)			
161	0121R00344PDGLS	Louver Panel, PD G 29" _32.51 (M1, M2)			
161	0121R00346PDGLS	Louver Panel, PD G 29" _36.30 (M3)			
171	0121R00344PDGRS	Louver Panel, PD G 29" _32.51 (M1, M2)			
171	0121R00346PDGRS	Louver Panel, PD G 29" _36.30 (M3)			
NS	0163M00005P	WASHER, BLACK (.50 OD .218D) (QTY 4)			

Expanded Model Nomenclature

M1 - GSX130421BK
M2 - GSX130481BH
M3 - GSX130601BJ