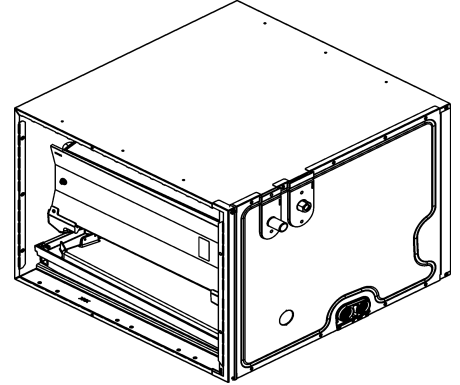


# REPAIR PARTS

---

## CHPTA Horizontal Cased Coil

CHPTA1822A4AA  
CHPTA1822A4AC  
CHPTA1822B4AA  
CHPTA1822B4AC  
CHPTA2426B4AA  
CHPTA2426B4AC  
CHPTA2426C4AA  
CHPTA2426C4AC  
CHPTA3026B4AA  
CHPTA3026B4AC  
CHPTA3026C4AA  
CHPTA3026C4AC  
CHPTA3630B4AA  
CHPTA3630B4AC  
CHPTA3630C4AA  
CHPTA3630C4AC



This manual is to be used by qualified technicians only.

This manual replaces RP-4333A

© 2021 - 2023 Goodman Manufacturing Company, L.P. ♦ 19001 Kermier Rd. ♦ Waller, TX 77484

# Important Information

---

## Index

Functional Parts List .....	3
Illustration and Parts .....	4 - 7

*Views shown are for parts illustrations only, not servicing procedures.*

### Text Codes:

AR - As Required

NA - Not Available

NS - Not Shown

00000000 - See Note

QTY - Quantity Example (QTY 3) (If Quantity not shown, Quantity = 1)

M - Model Example (M1) (If M Code not shown, then part is used on all Models)

### Expanded Model Nomenclature:

Example
M1 - Model#1
M2 - Model#2
M3 - Model#3

Goodman Manufacturing Company, L.P. is not responsible for personal injury or property damage resulting from improper service. Review all service information before beginning repairs.

Warranty service must be performed by an authorized technician, using authorized factory parts. If service is required after the warranty expires, Goodman Manufacturing Company, L.P. also recommends contacting an authorized technician and using authorized factory parts.

Goodman Manufacturing Company, L.P. reserves the right to discontinue, or change at any time, specifications or designs without notice or without incurring obligations.

For assistance within the U.S.A. contact:  
Homeowner Support  
Goodman Manufacturing Company, L.P.  
19001 Kermier Road  
Waller, Texas 77484  
877-254-4729-Telephone  
713-863-2382-Facsimile

For assistance outside the U.S.A. contact:  
International Division  
Goodman Manufacturing Company, L.P.  
19001 Kermier Road  
Waller, Texas 77484  
713-861-2500-Telephone  
713-863-2382-Facsimile

# Functional Parts

## Part

## No: Description:

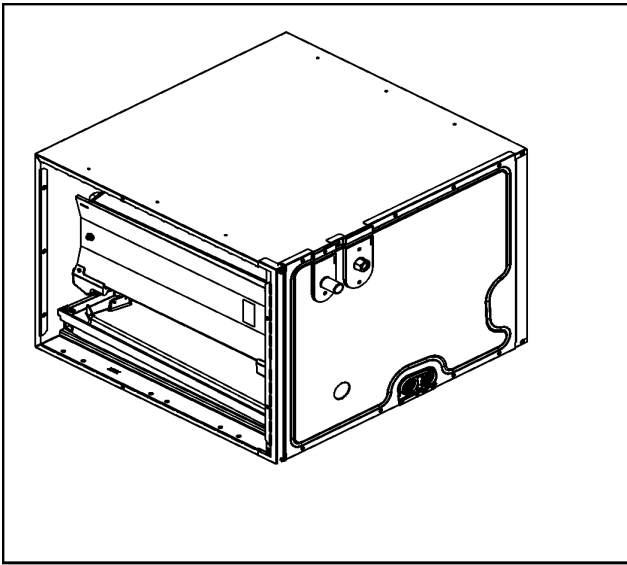
---

0151R00209 TXV-FX-2T-ADJ VALVE (M1, M2, M3, M4)  
0151R00210 TXV-FX-3T-ADJ VALVE (M5, M6, M7, M8, M9,  
M10, M11, M12, M13, M14, M15, M16)

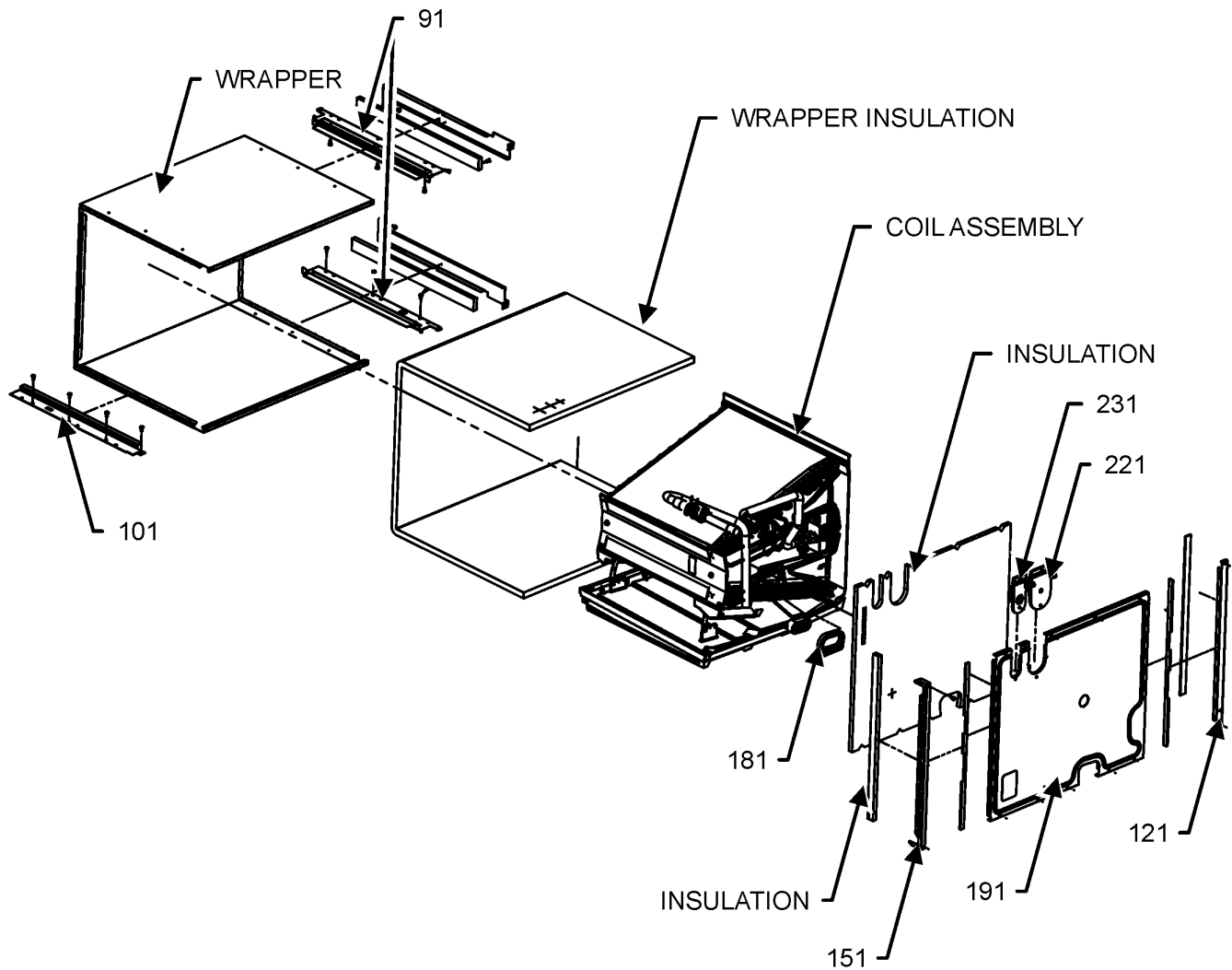
### Expanded Model Nomenclature

M1 - CHPTA1822A4AA
M2 - CHPTA1822A4AC
M3 - CHPTA1822B4AA
M4 - CHPTA1822B4AC
M5 - CHPTA2426B4AA
M6 - CHPTA2426B4AC
M7 - CHPTA2426C4AA
M8 - CHPTA2426C4AC
M9 - CHPTA3026B4AA
M10 - CHPTA3026B4AC
M11 - CHPTA3026C4AA
M12 - CHPTA3026C4AC
M13 - CHPTA3630B4AA
M14 - CHPTA3630B4AC
M15 - CHPTA3630C4AA
M16 - CHPTA3630C4AC

# CABINET ASSEMBLY



CABINET ASSEMBLY



CABINET ASSEMBLY MAY DIFFER FROM WHAT IS SHOWN

# CABINET ASSEMBLY

## Ref. Part

No: No:

Description:

## Ref. Part

No: No:

Description:

### Image 1:

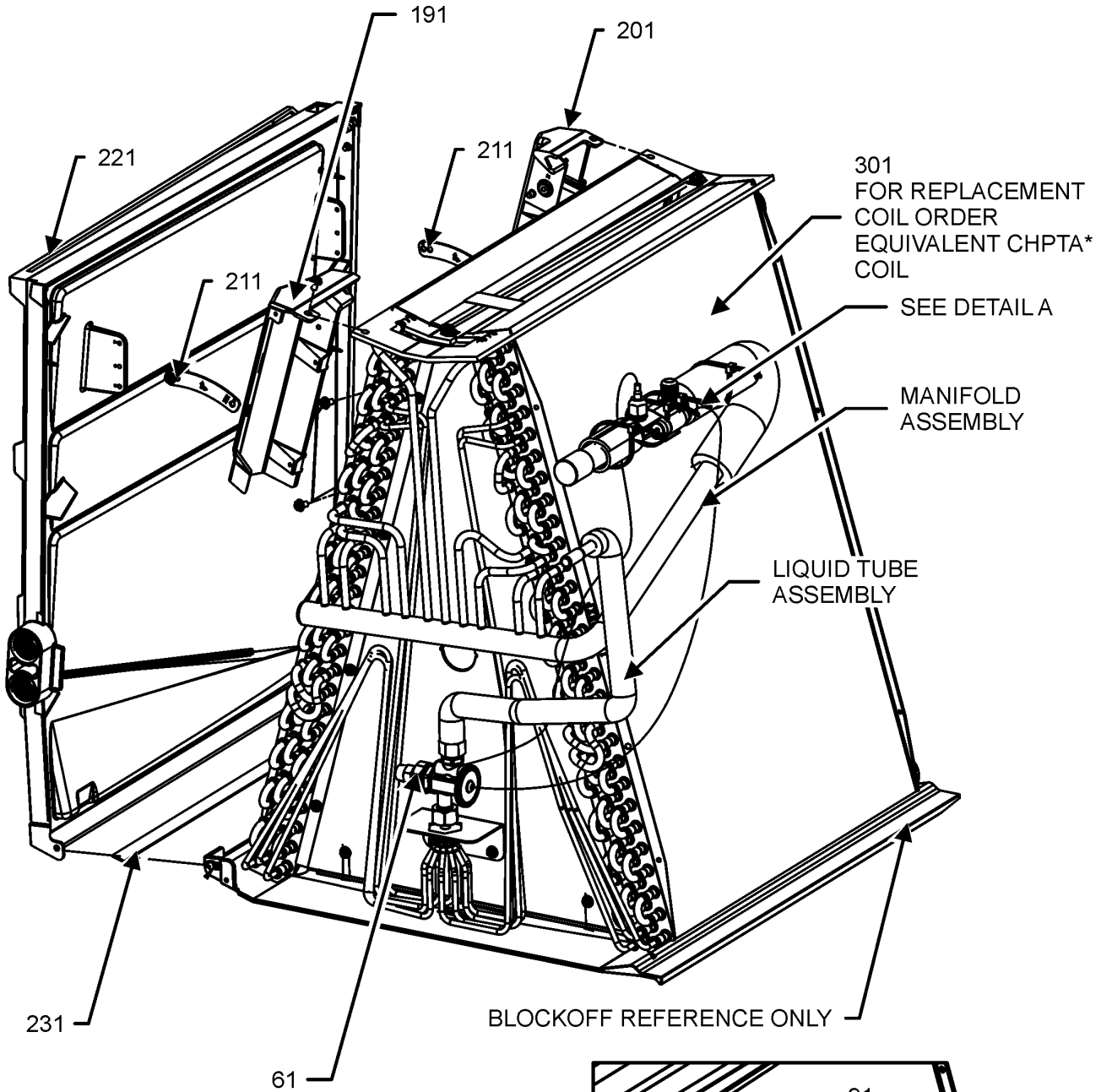
91	0121D00810	RAIL, DRAIN PAN, (QTY 2)
101	0121D00811	RAIL, DRAIN PAN,
111	5001010	PLATE, LEFT BLOCK OFF (M3, M4, M5, M6, M7, M8, M9, M10, M11, M12, M13, M14, M15, M16)
111	5001011	PLATE, RIGHT BLOCK OFF (M3, M4, M5, M6, M7, M8, M9, M10, M11, M12, M13, M14, M15, M16)
121	0121D00502PDG	RAIL BOTTOM,CASED COIL,PAINTED (M1, M2)
121	0121D00503PDG	RAIL BOTTOM,CASED COIL,PAINTED (M3, M4, M5, M6, M9, M10, M13, M14)
121	0121D00504PDG	RAIL BOTTOM,CASED COIL,PAINTED (M7, M8, M11, M12, M15, M16)
151	0121D00906PDG	RAIL TOP PNT, CASED E COIL (M1, M2)
151	0121D00907PDG	RAIL TOP PNT, CASED E COIL (M3, M4, M5, M6, M9, M10)
151	0121D00908PDG	RAIL TOP PNT, CASED E COIL (M7, M8, M11, M12, M15, M16)
151	0121D00982PDG	RAIL TOP, CASED E COIL, PAINTE (M13, M14)
181	0154A00048	GASKET, DRAIN PAN
191	0121D00572PDG	PNL ACCESS PNT, CASED E COIL (M3, M4)
191	0121D00575PDG	PNL ACCESS PNT, CASED E COIL (M5, M6, M9, M10)
191	0121D00598PDG	PNL ACCESS PNT, CASED E COIL (M7, M8, M11, M12)
191	0121D00690PDG	PNL ACCESS PNT, CASED E COIL (M15, M16)
191	0121D01130PDG	PNL ACCESS, CASED EVAP COIL (M1, M2)
191	0121D00981PDG	PNL ACCESS, PAINTED (M13, M14)
221	0154D00015	GROMMET, LIQUID TUBE (M7, M8, M11, M12, M15, M16)
221	0154D00040	GROMMET, LIQUID TUBE (M1, M2, M3, M4, M5, M6, M9, M10, M13, M14)
231	0154D00005	GROMMET, SUCTION (M1, M2, M3, M4)
231	0154D00014	GROMMET, SUCTION (M5, M6, M7, M8, M9, M10, M11, M12, M13, M14, M15, M16)
NS	0163M00097	SCREW WASHERED (QTY 4)

### Expanded Model Nomenclature

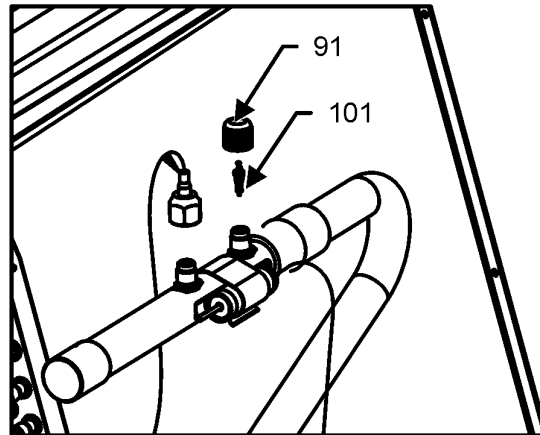
M1 - CHPTA1822A4AA
M2 - CHPTA1822A4AC
M3 - CHPTA1822B4AA
M4 - CHPTA1822B4AC
M5 - CHPTA2426B4AA
M6 - CHPTA2426B4AC
M7 - CHPTA2426C4AA
M8 - CHPTA2426C4AC
M9 - CHPTA3026B4AA
M10 - CHPTA3026B4AC
M11 - CHPTA3026C4AA
M12 - CHPTA3026C4AC
M13 - CHPTA3630B4AA
M14 - CHPTA3630B4AC
M15 - CHPTA3630C4AA
M16 - CHPTA3630C4AC

# COIL TUBING ASSEMBLY

## TUBING ASSEMBLY



DETAIL A



TUBING ASSEMBLY MAY DIFFER  
FROM WHAT IS SHOWN

# COIL TUBING ASSEMBLY

Ref. Part No:	No:	Description:	Ref. Part No:	No:	Description:
<i>Image 1:</i>			<b>Expanded Model Nomenclature</b>		
61	0151R00209	TXV-FX-2T-ADJ VALVE (M1, M2, M3, M4)	M1 -	CHPTA1822A4AA	
61	0151R00210	TXV-FX-3T-ADJ VALVE (M5, M6, M7, M8, M9, M10, M11, M12, M13, M14, M15, M16)	M2 -	CHPTA1822A4AC	
91	0151M00104	VALVE CORE (M1, M2, M3, M4, M5, M6, M7, M8, M9, M10, M11, M12, M13, M14)	M3 -	CHPTA1822B4AA	
101	0163M00175	CAP WITH O-RING	M4 -	CHPTA1822B4AC	
191	0161D00111	CONDENSATE COLLECTOR, FRONT (M3, M4, M5, M6, M7, M8, M9, M10, M11, M12, M13, M14, M15, M16)	M5 -	CHPTA2426B4AA	
201	0161D00112	CONDENSATE COLLECTOR, BACK (M3, M4, M5, M6, M7, M8, M9, M10, M11, M12, M13, M14, M15, M16)	M6 -	CHPTA2426B4AC	
211	0121D01042	BRACKET (M1, M2)	M7 -	CHPTA2426C4AA	
211	0121D00882	BRKT, 2"-C (M7, M8, M13, M14, M15, M16)	M8 -	CHPTA2426C4AC	
211	0121D00897	BRKT, 3" (M5, M6, M11, M12)	M9 -	CHPTA3026B4AA	
211	0121D00929	BRKT, C (M3, M4, M9, M10)	M10 -	CHPTA3026B4AC	
221	0161D00046	DRAIN PAD SIDE, EVAP COIL, MED-LG (M5, M6, M7, M8, M9, M10, M11, M12)	M11 -	CHPTA3026C4AA	
221	0161D00110	DRAIN PAN SIDE, EVAP COIL, LG (M13, M14, M15, M16)	M12 -	CHPTA3026C4AC	
221	0161D00045	DRAIN PAN SIDE, EVAP COIL, MED (M1, M2, M3, M4)	M13 -	CHPTA3630B4AA	
231	0154A00016	GASKET, PORON	M14 -	CHPTA3630B4AC	
301	CHPTA1822A4	E COIL 1.5T HORZ CASED TXV (M1, M2)	M15 -	CHPTA3630C4AA	
301	CHPTA1822B4	E COIL 1.5T HORZ CASED TXV (M3, M4)	M16 -	CHPTA3630C4AC	
301	CHPTA2426B4	E COIL 2.0T HORZ CASED TXV (M5, M6)			
301	CHPTA2426C4	E COIL 2.0T HORZ CASED TXV (M7, M8)			
301	CHPTA3026B4	E COIL 2.5T HORZ CASED TXV (M9, M10)			
301	CHPTA3026C4	E COIL 2.5T HORZ CASED TXV (M11, M12)			
301	CHPTA3630B4	E COIL 3.0T HORZ CASED TXV (M13, M14)			
301	CHPTA3630C4	E COIL 3.0T HORZ CASED TXV (M15, M16)			
NS	0151M00101	ACCESS VALVE FITTING (QTY 2)			
NS	0161D00100	DRAIN PAN EXTN, EVAP COIL LG			
NS	0163M00097	SCREW WASHERED (QTY 4)			

FOR REPLACEMENT COIL, ORDER EQUIVALENT CHPT\* COIL