

# REPAIR PARTS

---

## AWST LU/SU Electric Heat Air Handler

AWST18SU1303AB  
AWST18SU1305AB  
AWST18SU1308AB  
AWST24SU1305AB  
AWST24SU1308AB  
AWST24SU1310AB  
AWST30LU1305AB  
AWST30LU1308AB  
AWST30LU1310AB  
AWST36LU1305AB  
AWST36LU1308AB  
AWST36LU1310AB



This manual is to be used by qualified technicians only.

© 2024 Goodman Manufacturing Company, L.P. ♦ 19001 Kermier Rd. ♦ Waller, TX 77484

# Important Information

---

## Index

Functional Parts List .....	3
Illustration and Parts .....	4 - 11

*Views shown are for parts illustrations only, not servicing procedures.*

### Text Codes:

AR - As Required

NA - Not Available

NS - Not Shown

00000000 - See Note

QTY - Quantity Example (QTY 3) (If Quantity not shown, Quantity = 1)

M - Model Example (M1) (If M Code not shown, then part is used on all Models)

### Expanded Model Nomenclature:

Example M1 - Model#1 M2 - Model#2 M3 - Model#3
---

Goodman Manufacturing Company, L.P. is not responsible for personal injury or property damage resulting from improper service. Review all service information before beginning repairs.

Warranty service must be performed by an authorized technician, using authorized factory parts. If service is required after the warranty expires, Goodman Manufacturing Company, L.P. also recommends contacting an authorized technician and using authorized factory parts.

Goodman Manufacturing Company, L.P. reserves the right to discontinue, or change at any time, specifications or designs without notice or without incurring obligations.

For assistance within the U.S.A. contact:  
Homeowner Support  
Goodman Manufacturing Company, L.P.  
19001 Kermier Road  
Waller, Texas 77484  
877-254-4729-Telephone  
713-863-2382-Facsimile

For assistance outside the U.S.A. contact:  
International Division  
Goodman Manufacturing Company, L.P.  
19001 Kermier Road  
Waller, Texas 77484  
713-861-2500-Telephone  
713-863-2382-Facsimile

# Functional Parts

## Part

## No: Description:

---

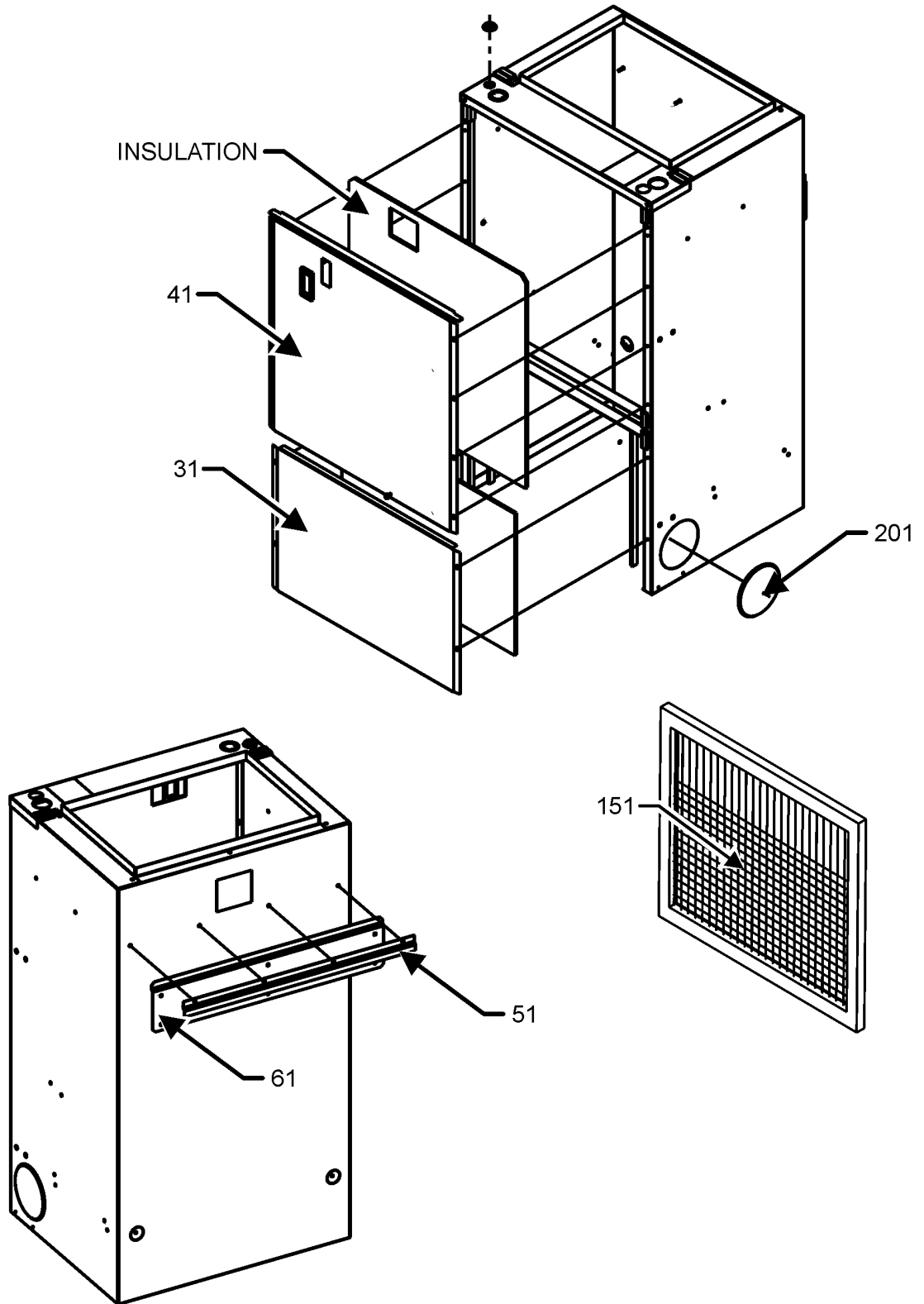
0151R00267	ADJUSTABLE VALVE TXV(FX) (M7, M8, M9)
0151R00266	ADJUSTABLE VALVE TXV(FX) (M1, M2, M3, M4, M5, M6)
0151R00268	ADJUSTABLE VALVE TXV(FX) (M10, M11, M12)
CONT2P040024V	CONTACTOR 40 AMP, 2P, 24V
0175A00020	ELEMENT, 3.0 KW SMALL HEATER (M1)
0175A00024	ELEMENT, 4.8 KW LARGE HEATER (M7, M10)
0175A00021	ELEMENT, 4.8 KW SMALL HEATER (M2, M4)
0175A00026	ELEMENT, 7.3 KW LARGE HEATER (M8, M11)
0175A00022	ELEMENT, 7.3 KW SMALL HEATER (M3, M5)
0175A00025	ELEMENT, 9.6 KW LARGE HEATER (M9, M12)
0175A00023	ELEMENT, 9.6 KW SMALL HEATER (M6)
0130M00870	FUSE-3A-VIOLET
0131M01033	MOTOR (M1, M2, M3)
0131M01034	MOTOR (M4, M5, M6)
0131M01035	MOTOR (M7, M8, M9)
0131M01036	MOTOR (M10, M11, M12)
PCBCM301V0001	PCB CONTROL AIR HANDLER
SER2A05012	SENSATA, R32 SENSOR
0130M00138	TRANSFORMER, 208/230, 24V

### Expanded Model Nomenclature

M1 - AWST18SU1303AB
M2 - AWST18SU1305AB
M3 - AWST18SU1308AB
M4 - AWST24SU1305AB
M5 - AWST24SU1308AB
M6 - AWST24SU1310AB
M7 - AWST30LU1305AB
M8 - AWST30LU1308AB
M9 - AWST30LU1310AB
M10 - AWST36LU1305AB
M11 - AWST36LU1308AB
M12 - AWST36LU1310AB

# WRAPPER ASSEMBLY

## WRAPPER ASSEMBLY



WRAPPER ASSEMBLY MAY DIFFER FROM WHAT IS SHOWN

# WRAPPER ASSEMBLY

Ref. Part No:	No:	Description:	Ref. Part No:	No:	Description:
---------------	-----	--------------	---------------	-----	--------------

---

**Image 1:**

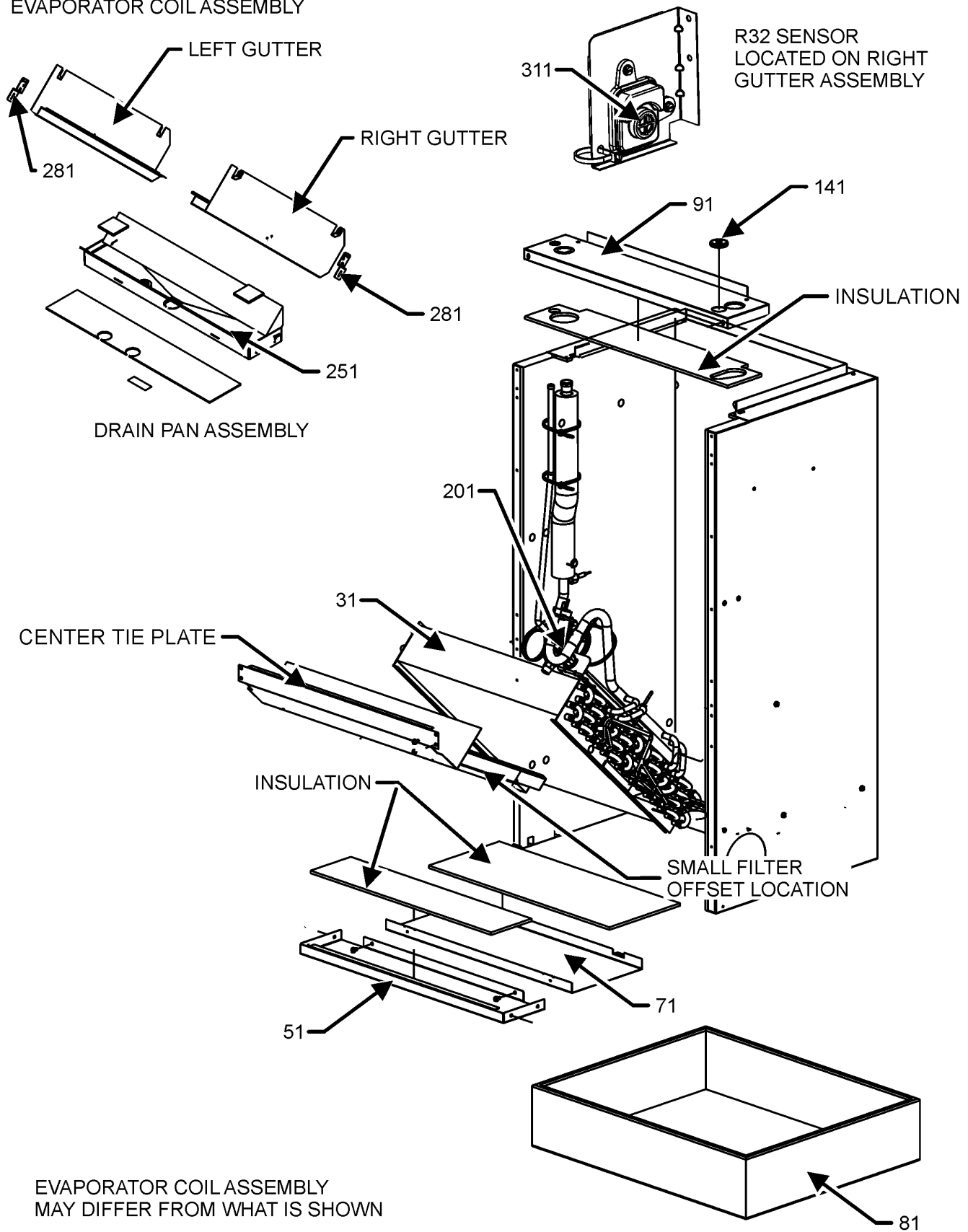
31	3701505	PANEL LOWER FRONT ACCESS (M1, M2, M3, M4, M5, M6)
41	0121A01908	PNL, ACCESS (M7, M8, M9, M10, M11, M12)
41	0121A01909	PNL, ACCESS (M1, M2, M3, M4, M5, M6)
51	3702501	BRACKET; SMALL HANGING (M1, M2, M3, M4, M5, M6)
61	3702800	BRACKET; FIELD HANGING
151	0160L00139	AIR FILTER (M1, M2, M3, M4, M5, M6)
151	0160L00388	AIR FILTER 18X20X1 (M7, M8, M9, M10, M11, M12)
201	0161A00068	PLUG-BUTTON (QTY 2)
NS	0161A00067	FLUSH PLUG
NS	0154A00040	GASKET (M7, M8, M9, M10, M11, M12)
NS	0154A00041	GASKET (M1, M2, M3, M4, M5, M6)
NS	B1392139	VIEW PORT BUSHING, CLEAR (1.00)

**Expanded Model Nomenclature**

M1 - AWST18SU1303AB
M2 - AWST18SU1305AB
M3 - AWST18SU1308AB
M4 - AWST24SU1305AB
M5 - AWST24SU1308AB
M6 - AWST24SU1310AB
M7 - AWST30LU1305AB
M8 - AWST30LU1308AB
M9 - AWST30LU1310AB
M10 - AWST36LU1305AB
M11 - AWST36LU1308AB
M12 - AWST36LU1310AB

# EVAPORATOR COIL ASSEMBLY

EVAPORATOR COIL ASSEMBLY



EVAPORATOR COIL ASSEMBLY  
MAY DIFFER FROM WHAT IS SHOWN

# EVAPORATOR COIL ASSEMBLY

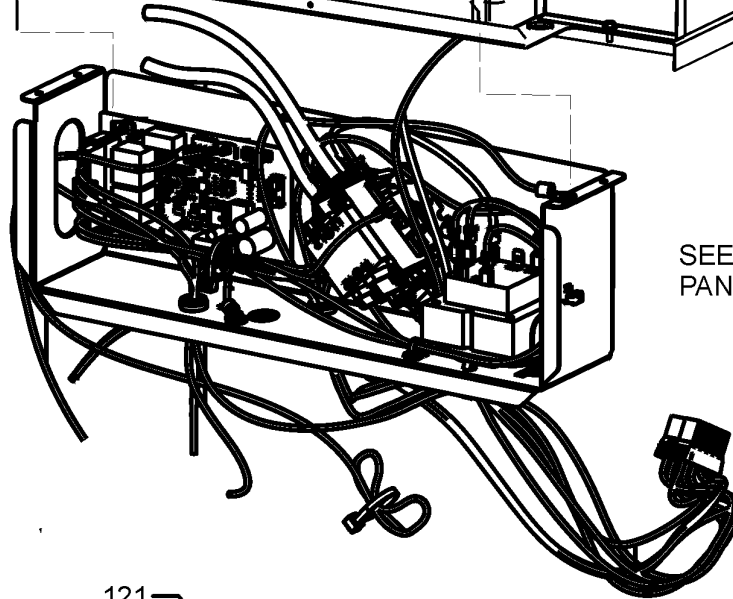
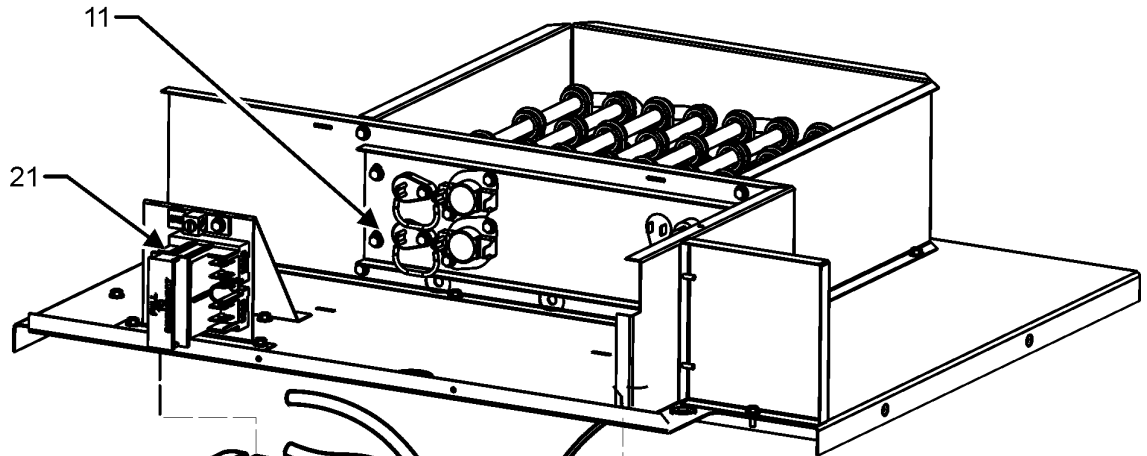
Ref. Part No:	Ref. Part No:	Description:	Description:
<b>Image 1:</b>			
31	0270A01865	COIL TUBING ASSY (M1, M2, M3, M4, M5, M6)	
31	0270A01868	COIL TUBING ASSY (M7, M8, M9)	
31	0270A02021	COIL TUBING ASSY (M10, M11, M12)	
51	0121A01223	PLATE, BOTTOM TIE (M7, M8, M9, M10, M11, M12)	
51	0121A01224	PLATE, BOTTOM TIE (M1, M2, M3, M4, M5, M6)	
71	3701500	PANEL; DRAIN ACCESS (M7, M8, M9, M10, M11, M12)	
71	3701502	PANEL; SMALL DRAIN ACCESS (M1, M2, M3, M4, M5, M6)	
81	BT1700051	CAP; LG. AIR HANDLER BOTTOM (M7, M8, M9, M10, M11, M12)	
81	BT1700050	CAP; SM. AIR HANDLER BOTTOM (M1, M2, M3, M4, M5, M6)	
91	3702105	WRAPPER, TOP (LARGE) (M7, M8, M9, M10, M11, M12)	
91	3702104	WRAPPER, TOP (SMALL) (M1, M2, M3, M4, M5, M6)	
141	0164A00002	GROMMET	
201	0151R00266	ADJUSTABLE VALVE TXV(FX) (M1, M2, M3, M4, M5, M6)	
201	0151R00267	ADJUSTABLE VALVE TXV(FX) (M7, M8, M9)	
201	0151R00268	ADJUSTABLE VALVE TXV(FX) (M10, M11, M12)	
251	0161R00021	DRAIN PAN LARGE (M7, M8, M9, M10, M11, M12)	
251	0161R00022	DRAIN PAN SMALL (M1, M2, M3, M4, M5, M6)	
281	3701805	BRACKET, OFFSET (QTY 2)	
311	SER2A05012	SENSATA, R32 SENSOR	
NS	0163M00629	RED CAP WITH O-RING	
NS	0121A01670	SENSOR BRACKET	
NS	0128R00007	SHIELD, DRAINPAN	
NS	0151M00104	VALVE CORE	

## Expanded Model Nomenclature

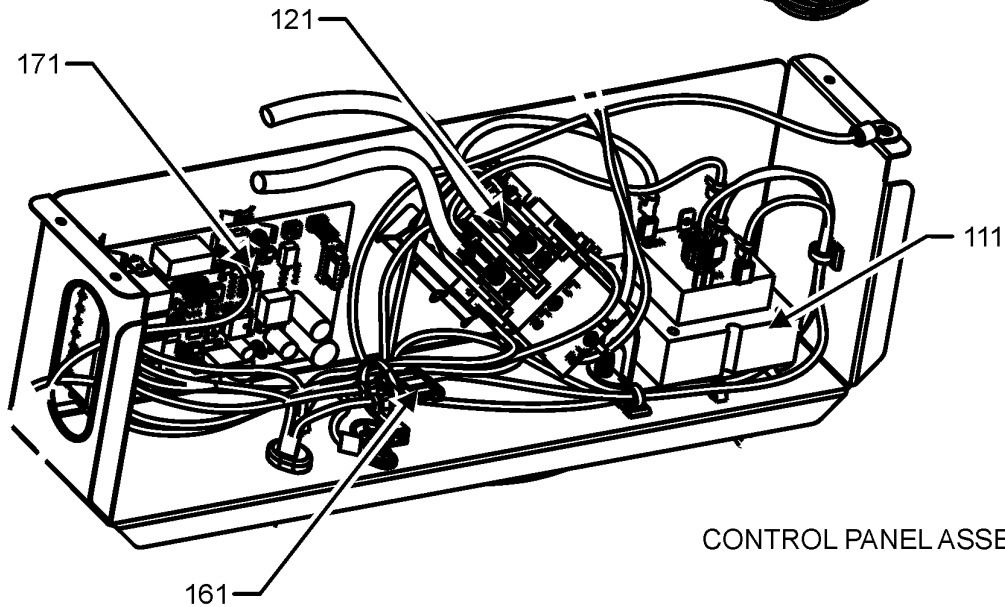
M1 - AWST18SU1303AB
M2 - AWST18SU1305AB
M3 - AWST18SU1308AB
M4 - AWST24SU1305AB
M5 - AWST24SU1308AB
M6 - AWST24SU1310AB
M7 - AWST30LU1305AB
M8 - AWST30LU1308AB
M9 - AWST30LU1310AB
M10 - AWST36LU1305AB
M11 - AWST36LU1308AB
M12 - AWST36LU1310AB

# HEATER PANEL ASSEMBLY

HEATER PANEL ASSEMBLY



SEE CONTROL  
PANEL ASSEMBLY



CONTROL PANEL ASSEMBLY

CONTROL PANEL AND HEATER PANEL ASSEMBLY MAY DIFFER FROM WHAT IS SHOWN



# HEATER PANEL ASSEMBLY

Ref. Part No:	Ref. Part No:	Description:	Description:
---------------	---------------	--------------	--------------

**Image 1:**

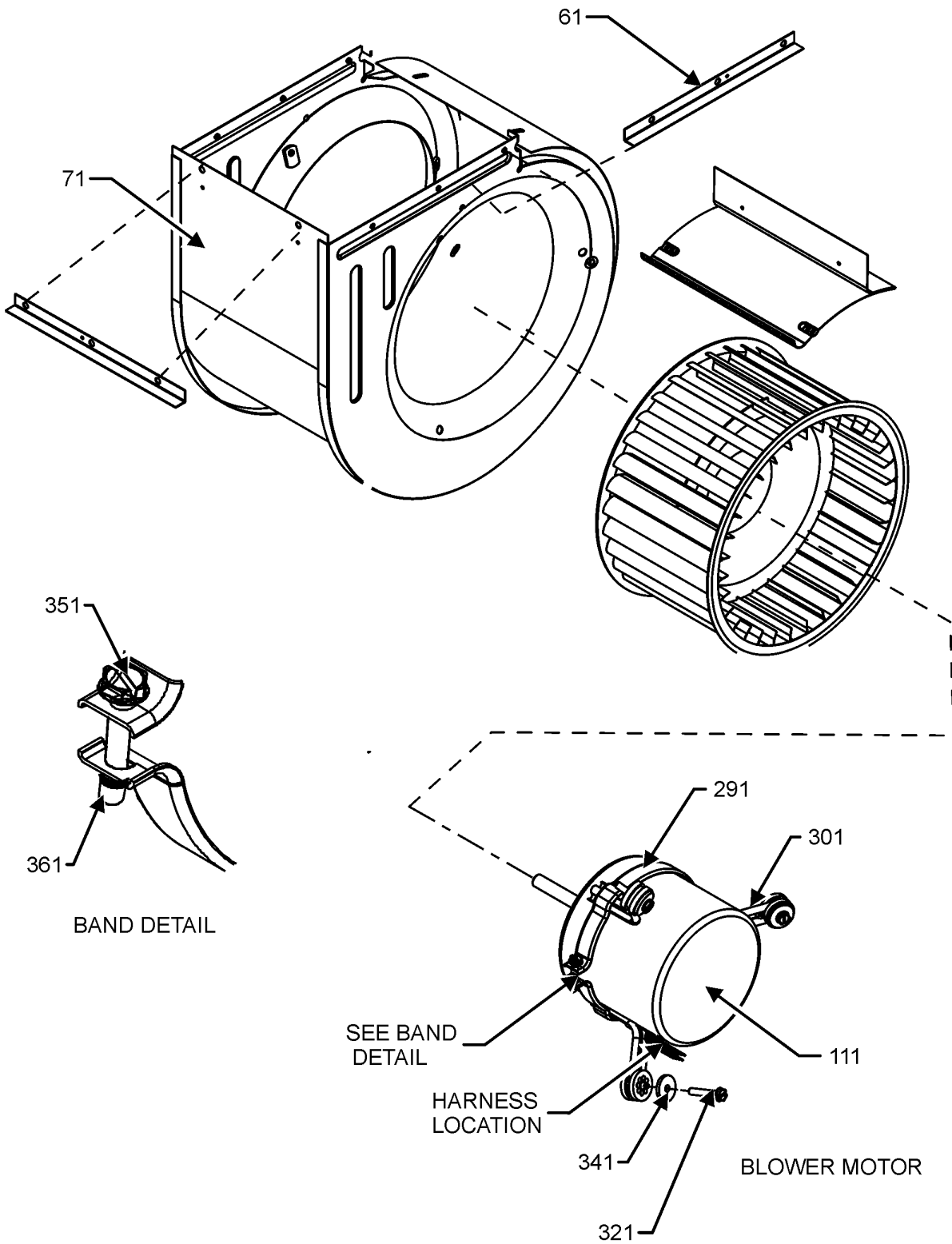
11	0175A00020	ELEMENT, 3.0 KW SMALL HEATER (M1)
11	0175A00024	ELEMENT, 4.8 KW LARGE HEATER (M7, M10)
11	0175A00021	ELEMENT, 4.8 KW SMALL HEATER (M2, M4)
11	0175A00026	ELEMENT, 7.3 KW LARGE HEATER (M8, M11)
11	0175A00022	ELEMENT, 7.3 KW SMALL HEATER (M3, M5)
11	0175A00025	ELEMENT, 9.6 KW LARGE HEATER (M9, M12)
11	0175A00023	ELEMENT, 9.6 KW SMALL HEATER (M6)
21	0130A00167	DISCONNECT, PULLOUT
111	0130M00138	TRANSFORMER, 208/230, 24V
121	CONT2P040024V	CONTACTOR 40 AMP, 2P, 24V
161	0130M00870	FUSE-3A-VIOLET
171	PCBCM301V0001	PCB CONTROL AIR HANDLER
NS	0121A01591	BKT, LRG DISCONNECT MTG (M7, M8, M9, M10, M11, M12)
NS	3701537	BKT, SML DSCNCT MTG (M1, M2, M3, M4, M5, M6)
NS	3701522	COLLAR, HEATER (M1, M2, M3, M4, M5, M6)
NS	0230A00042	FUSE WIRE ASSY
NS	3700804	PANEL, TOP HEATER (M7, M8, M9, M10, M11, M12)
NS	0130M00022	X-13 POWER HARNESS

**Expanded Model Nomenclature**

M1 - AWST18SU1303AB
M2 - AWST18SU1305AB
M3 - AWST18SU1308AB
M4 - AWST24SU1305AB
M5 - AWST24SU1308AB
M6 - AWST24SU1310AB
M7 - AWST30LU1305AB
M8 - AWST30LU1308AB
M9 - AWST30LU1310AB
M10 - AWST36LU1305AB
M11 - AWST36LU1308AB
M12 - AWST36LU1310AB

# BLOWER ASSEMBLY

## BLOWER ASSEMBLY



BLOWER ASSEMBLY MAY DIFFER FROM WHAT IS SHOWN

# BLOWER ASSEMBLY

Ref. Part No:	Ref. Part No:	Description:	Description:
---------------	---------------	--------------	--------------

**Image 1:**

61	3702704	ANGLE, 22.5" BLOWER DECK (M7, M8, M9, M10, M11, M12)
61	3702700	ANGLE, 9" BLOWER (M1, M2, M3, M4, M5, M6)
71	0271A00694	BLOWER SHELL ASSY (M1, M2, M3, M4, M5, M6)
71	0271A00695	BLOWER SHELL ASSY (M7, M8, M9, M10, M11, M12)
111	0131M01033	MOTOR (M1, M2, M3)
111	0131M01034	MOTOR (M4, M5, M6)
111	0131M01035	MOTOR (M7, M8, M9)
111	0131M01036	MOTOR (M10, M11, M12)
291	0121M00039	MOUNT BAND, MOTOR (HEAVY DUTY)
301	0163M00537	MOTOR MOUNT ARM (QTY 3)
321	M0250565	SCREW-TC 1.25" (QTY 3)
341	B1392918	WASHER, FLAT 1/4 ID X 1 OD (QTY 3)
351	B1393323	MACHINE SCREW HWH 1/4-20 X 1-1/2 BZ
361	B1393800	LOCKNUT, NYLON, INSERT 1/4

**Expanded Model Nomenclature**

M1 - AWST18SU1303AB
M2 - AWST18SU1305AB
M3 - AWST18SU1308AB
M4 - AWST24SU1305AB
M5 - AWST24SU1308AB
M6 - AWST24SU1310AB
M7 - AWST30LU1305AB
M8 - AWST30LU1308AB
M9 - AWST30LU1310AB
M10 - AWST36LU1305AB
M11 - AWST36LU1308AB
M12 - AWST36LU1310AB