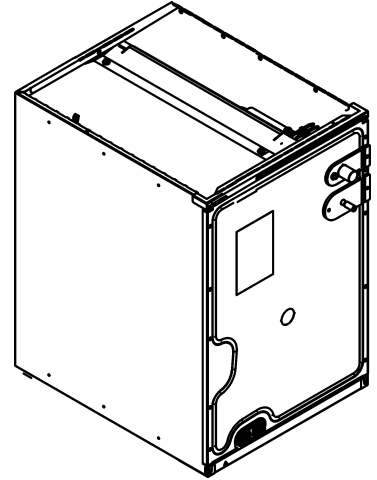


# REPAIR PARTS

---

## CAPTA CASED COIL

CAPTA1818A3AA  
CAPTA1818B3AA  
CAPTA2422A3AA  
CAPTA2422B3AA  
CAPTA2422C3AA  
CAPTA3022A3AA  
CAPTA3022B3AA  
CAPTA3022C3AA  
CAPTA3026B3AA  
CAPTA3026C3AA  
CAPTA3626B3AA  
CAPTA3626C3AA  
CAPTA4230C3AA  
CAPTA4230D3AA  
CAPTA6030C3AA  
CAPTA6030D3AA



This manual is to be used by qualified technicians only.

© 2024 Goodman Manufacturing Company, L.P. ♦ 19001 Kermier Rd. ♦ Waller, TX 77484

# Important Information

---

## Index

|                              |       |
|------------------------------|-------|
| Functional Parts List .....  | 3     |
| Illustration and Parts ..... | 4 - 5 |

*Views shown are for parts illustrations only, not servicing procedures.*

### Text Codes:

AR - As Required

NA - Not Available

NS - Not Shown

00000000 - See Note

QTY - Quantity Example (QTY 3) (If Quantity not shown, Quantity = 1)

M - Model Example (M1) (If M Code not shown, then part is used on all Models)

### Expanded Model Nomenclature:

|   |
|---|
| Example<br>M1 - Model#1<br>M2 - Model#2<br>M3 - Model#3 |
|---|

Goodman Manufacturing Company, L.P. is not responsible for personal injury or property damage resulting from improper service. Review all service information before beginning repairs.

Warranty service must be performed by an authorized technician, using authorized factory parts. If service is required after the warranty expires, Goodman Manufacturing Company, L.P. also recommends contacting an authorized technician and using authorized factory parts.

Goodman Manufacturing Company, L.P. reserves the right to discontinue, or change at any time, specifications or designs without notice or without incurring obligations.

For assistance within the U.S.A. contact:  
Homeowner Support  
Goodman Manufacturing Company, L.P.  
19001 Kermier Road  
Waller, Texas 77484  
877-254-4729-Telephone  
713-863-2382-Facsimile

For assistance outside the U.S.A. contact:  
International Division  
Goodman Manufacturing Company, L.P.  
19001 Kermier Road  
Waller, Texas 77484  
713-861-2500-Telephone  
713-863-2382-Facsimile

# Functional Parts

## Part

**No:**                    **Description:**

---

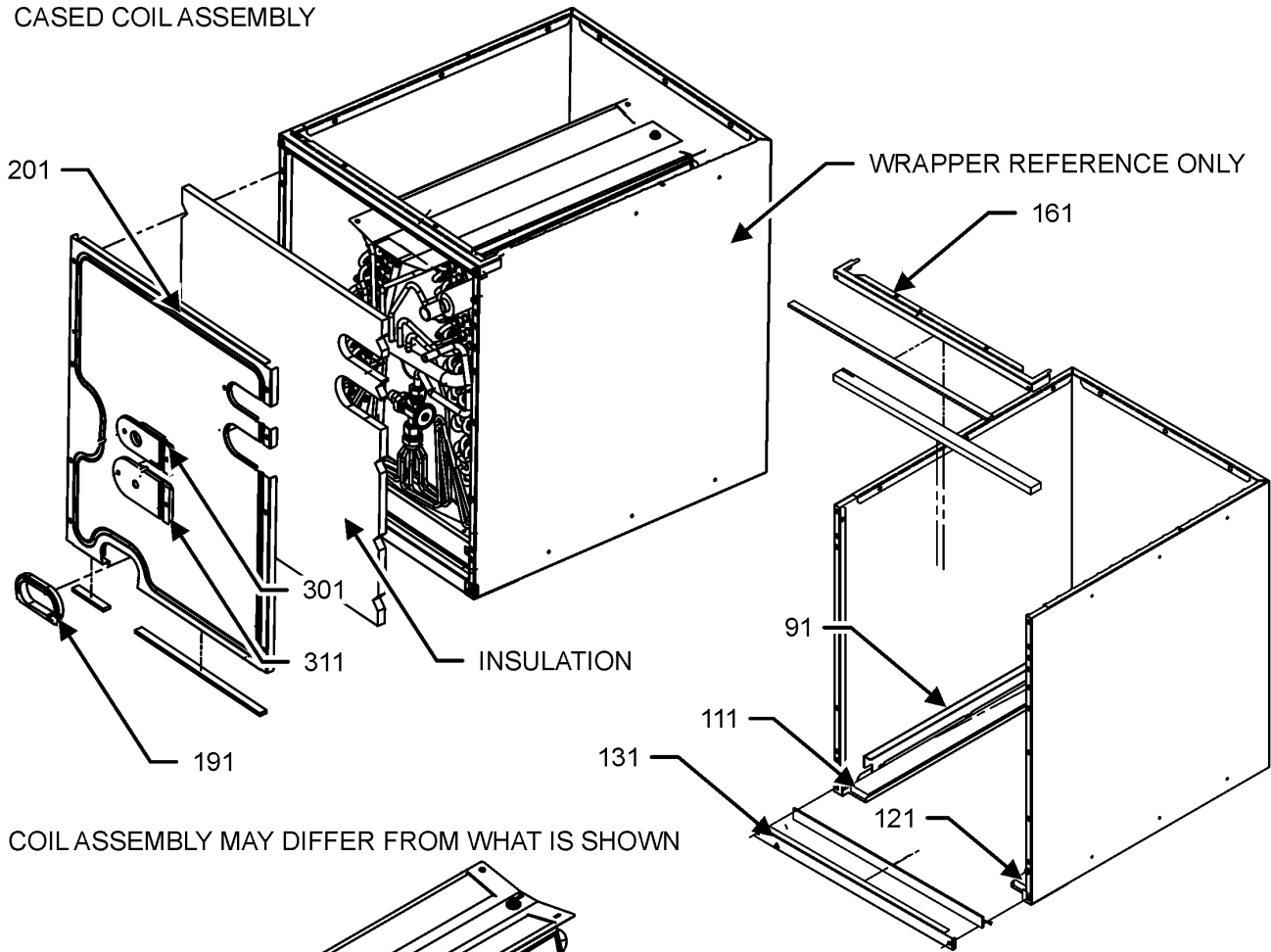
|            |  |
|------------|--|
| SER2A08012 | SENSATA, R32 SENSOR                        |
| 0151R00265 | TXV-FX-1.5T-ADJ VALVE (M1, M2, M3, M4, M5) |
| 0151R00272 | TXV-FX-2T-ADJ VALVE (M6, M7, M8, M9, M10)  |
| 0151R00273 | TXV-FX-3T-ADJ VALVE (M11, M12)             |
| 0151R00274 | TXV-FX-4T-ADJ VALVE (M13, M14)             |
| 0151R00275 | TXV-FX-5T-ADJ VALVE (M15, M16)             |

### Expanded Model Nomenclature

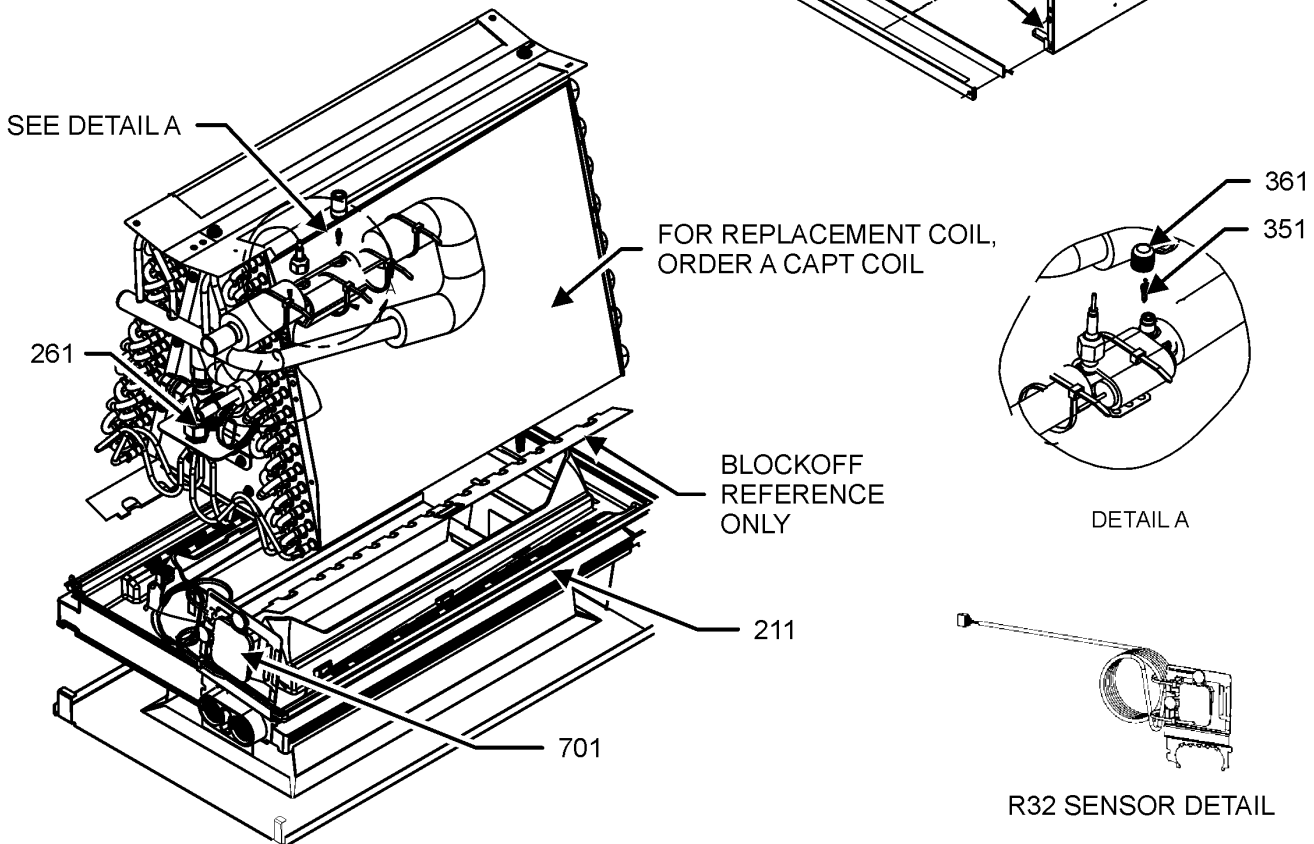
|                     |
|---------------------|
| M1 - CAPTA1818A3AA  |
| M2 - CAPTA1818B3AA  |
| M3 - CAPTA2422A3AA  |
| M4 - CAPTA2422B3AA  |
| M5 - CAPTA2422C3AA  |
| M6 - CAPTA3022A3AA  |
| M7 - CAPTA3022B3AA  |
| M8 - CAPTA3022C3AA  |
| M9 - CAPTA3026B3AA  |
| M10 - CAPTA3026C3AA |
| M11 - CAPTA3626B3AA |
| M12 - CAPTA3626C3AA |
| M13 - CAPTA4230C3AA |
| M14 - CAPTA4230D3AA |
| M15 - CAPTA6030C3AA |
| M16 - CAPTA6030D3AA |

# CASED E COIL ASSEMBLY

## CASED COIL ASSEMBLY



COIL ASSEMBLY MAY DIFFER FROM WHAT IS SHOWN



# CASED E COIL ASSEMBLY

| Ref. Part No:   | Ref. Part No: | Description:   | Description:        |
|-----------------|---------------|--|---------------------|
| <b>Image 1:</b> |               | <b>Expanded Model Nomenclature</b>   |                     |
| 91              | 0121D01124    | RAIL DRAIN PAN, CASED COIL (QTY 2)   | M1 - CAPTA1818A3AA  |
| 111             | 5001010       | PLATE, LEFT BLOCK OFF (M2, M4, M5, M7, M8, M9, M10, M11, M12, M13, M14, M15, M16)  | M2 - CAPTA1818B3AA  |
| 121             | 5001011       | PLATE, RIGHT BLOCK OFF (M2, M4, M5, M7, M8, M9, M10, M11, M12, M13, M14, M15, M16) | M3 - CAPTA2422A3AA  |
| 131             | 0121D00502PDG | RAIL BOTTOM,CASED COIL,PAINTED (M1, M3, M6)  | M4 - CAPTA2422B3AA  |
| 131             | 0121D00503PDG | RAIL BOTTOM,CASED COIL,PAINTED (M2, M4, M7, M9, M11)                               | M5 - CAPTA2422C3AA  |
| 131             | 0121D00504PDG | RAIL BOTTOM,CASED COIL,PAINTED (M5, M8, M10, M12, M13, M15)                        | M6 - CAPTA3022A3AA  |
| 131             | 0121D00505PDG | RAIL BOTTOM,CASED COIL,PAINTED (M14, M16)  | M7 - CAPTA3022B3AA  |
| 161             | 0121D00906PDG | RAIL TOP PNT, CASED E COIL (M1, M3, M6)  | M8 - CAPTA3022C3AA  |
| 161             | 0121D00907PDG | RAIL TOP PNT, CASED E COIL (M2, M4, M7, M9, M11)                                   | M9 - CAPTA3026B3AA  |
| 161             | 0121D00908PDG | RAIL TOP PNT, CASED E COIL (M5, M8, M10, M12, M13, M15)                            | M10 - CAPTA3026C3AA |
| 161             | 0121D00909PDG | RAIL TOP PNT, CASED E COIL (M14, M16)  | M11 - CAPTA3626B3AA |
| 191             | 0154D00037    | GASKET, DRAIN PAN  | M12 - CAPTA3626C3AA |
| 201             | 0121D00684PDG | PNL ACCESS PNT, CASED E COIL (M13, M15)  | M13 - CAPTA4230C3AA |
| 201             | 0121D00685PDG | PNL ACCESS PNT, CASED E COIL (M14, M16)  | M14 - CAPTA4230D3AA |
| 201             | 0121D00933PDG | PNL ACCESS PNT, CASED E COIL (M1)  | M15 - CAPTA6030C3AA |
| 201             | 0121D00936PDG | PNL ACCESS PNT, CASED E COIL (M3, M6)  | M16 - CAPTA6030D3AA |
| 201             | 0121D01126PDG | PNL ACCESS PNT, CASED E COIL (M9, M11)   |                     |
| 201             | 0121D01127PDG | PNL ACCESS PNT, CASED E COIL (M4, M7)  |                     |
| 201             | 0121D01135PDG | PNL ACCESS PNT, CASED E COIL (M2)  |                     |
| 201             | 0121D00543PDG | PNL ACCESS, PAINTED (M5, M8)   |                     |
| 201             | 0121D00597PDG | PNL ACCESS, PAINTED (M10, M12)   |                     |
| 211             | 0161D00194    | DRAIN PAN (M2, M4, M7, M9, M11)  |                     |
| 211             | 0161D00241    | DRAIN PAN (M5, M8, M10, M12, M13, M15)   |                     |
| 211             | 0161D00242    | DRAIN PAN (M14, M16)   |                     |
| 211             | 0161D00116    | DRAIN PAN MAIN, E COIL (M1, M3, M6)  |                     |
| 261             | 0151R00265    | TXV-FX-1.5T-ADJ VALVE (M1, M2, M3, M4, M5)   |                     |
| 261             | 0151R00272    | TXV-FX-2T-ADJ VALVE (M6, M7, M8, M9, M10)  |                     |
| 261             | 0151R00273    | TXV-FX-3T-ADJ VALVE (M11, M12)   |                     |
| 261             | 0151R00274    | TXV-FX-4T-ADJ VALVE (M13, M14)   |                     |
| 261             | 0151R00275    | TXV-FX-5T-ADJ VALVE (M15, M16)   |                     |
| 301             | 0154D00015    | GROMMET, LIQUID TUBE (M10, M12, M13, M14, M15, M16)                                |                     |
| 301             | 0154D00040    | GROMMET, LIQUID TUBE (M1, M2, M3, M4, M5, M6, M7, M8, M9, M11)                     |                     |
| 311             | 0154D00014    | GROMMET SUCTION (M9, M10, M11, M12, M13, M14, M15, M16)                            |                     |
| 311             | 0154D00005    | GROMMET, SUCTION (M1, M2, M3, M4, M5, M6, M7, M8)                                  |                     |
| 351             | 0151M00104    | VALVE CORE   |                     |
| 361             | 0163M00629    | RED CAP WITH O-RING  |                     |
| 701             | SER2A08012    | SENSATA, R32 SENSOR  |                     |
| NS              | 0161A00134    | PUSH PLUG (QTY 2)  |                     |
| NS              | 0121A01738    | SENSOR BRACKET   |                     |