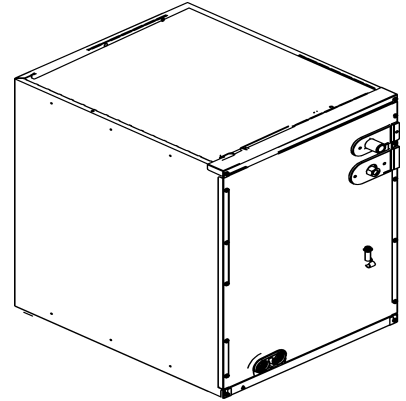


REPAIR PARTS

CAPFA Indoor Cased Coil

CAPFA1714A6BC
CAPFA1714B6BC
CAPFA1818A6CC
CAPFA1818B6CC
CAPFA1818C6CC
CAPFA2318A6BC
CAPFA2318B6BC
CAPFA2318C6BC
CAPFA2418A6BC
CAPFA2418B6BC
CAPFA2418C6BC
CAPFA2422A6BC
CAPFA2422B6BC
CAPFA2422C6BC
CAPFA2922A6BC
CAPFA2922B6BC
CAPFA2922C6BC
CAPFA3022A6BC
CAPFA3022B6BC
CAPFA3022C6BC
CAPFA3022D6BC
CAPFA3526B6AC
CAPFA3526C6AC
CAPFA3626B6AC
CAPFA3626C6AC
CAPFA3626D6AC
CAPFA4226B6AC
CAPFA4226C6AC
CAPFA4226D6AC



This manual is to be used by qualified technicians only.

© 2023 Goodman Manufacturing Company, L.P. ♦ 19001 Kermier Rd. ♦ Waller, TX 77484

Important Information

Index

Functional Parts List	3
Illustration and Parts	4 - 5

Views shown are for parts illustrations only, not servicing procedures.

Text Codes:

AR - As Required

NA - Not Available

NS - Not Shown

00000000 - See Note

QTY - Quantity Example (QTY 3) (If Quantity not shown, Quantity = 1)

M - Model Example (M1) (If M Code not shown, then part is used on all Models)

Expanded Model Nomenclature:

Example M1 - Model#1 M2 - Model#2 M3 - Model#3

Goodman Manufacturing Company, L.P. is not responsible for personal injury or property damage resulting from improper service. Review all service information before beginning repairs.

Warranty service must be performed by an authorized technician, using authorized factory parts. If service is required after the warranty expires, Goodman Manufacturing Company, L.P. also recommends contacting an authorized technician and using authorized factory parts.

Goodman Manufacturing Company, L.P. reserves the right to discontinue, or change at any time, specifications or designs without notice or without incurring obligations.

For assistance within the U.S.A. contact:
Homeowner Support
Goodman Manufacturing Company, L.P.
19001 Kermier Road
Waller, Texas 77484
877-254-4729-Telephone
713-863-2382-Facsimile

For assistance outside the U.S.A. contact:
International Division
Goodman Manufacturing Company, L.P.
19001 Kermier Road
Waller, Texas 77484
713-861-2500-Telephone
713-863-2382-Facsimile

Functional Parts

Part

No: **Description:**

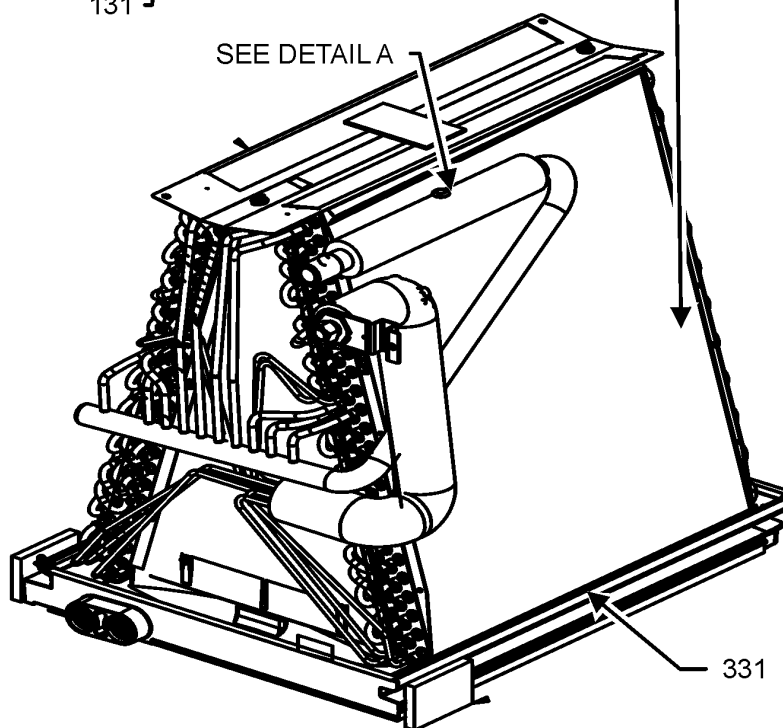
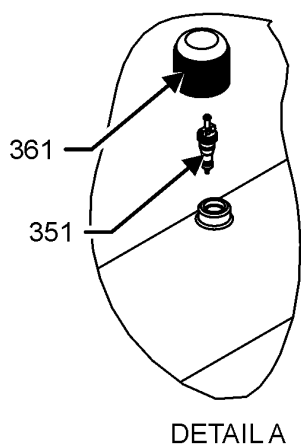
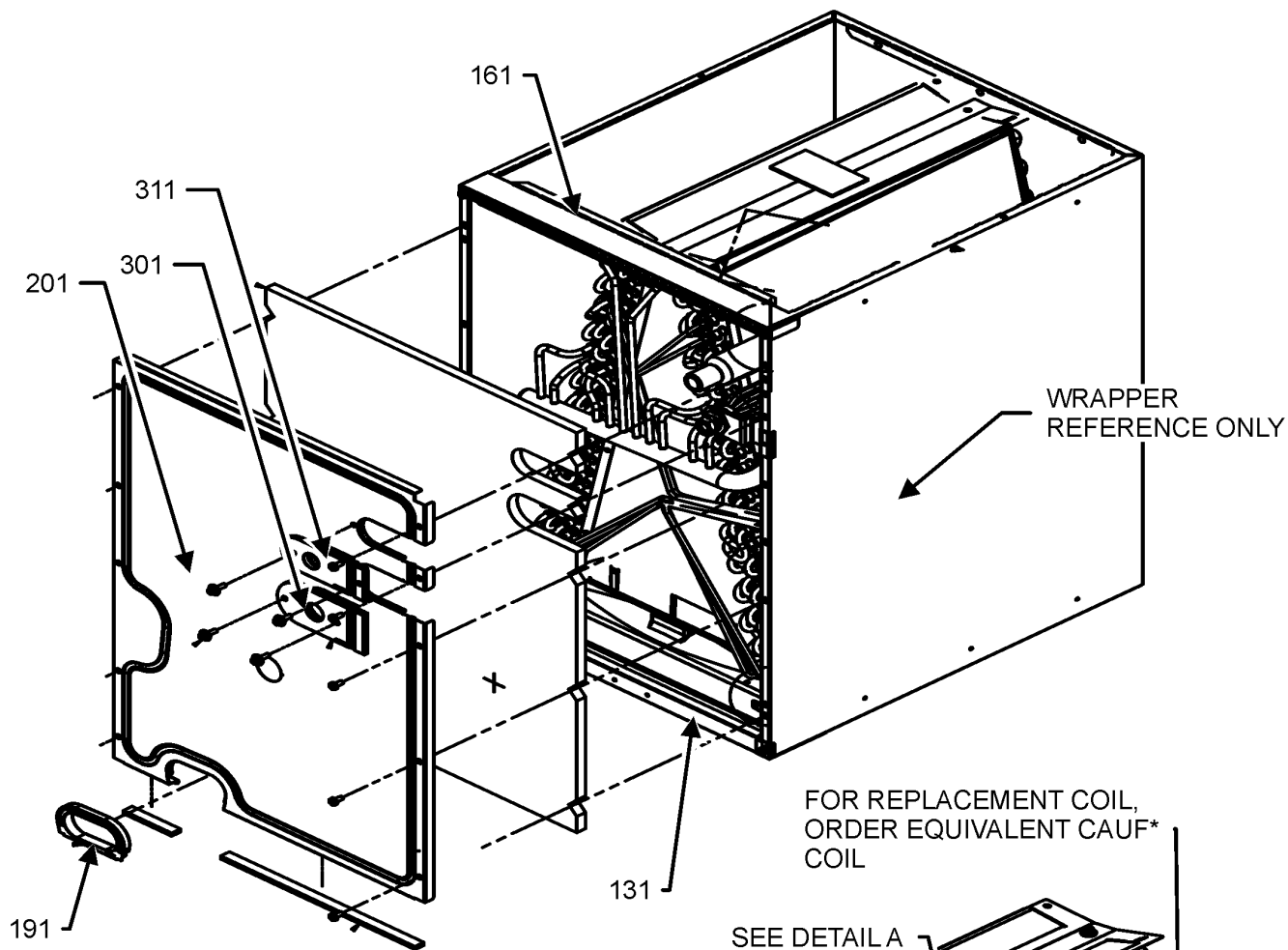
BT1369063	90 DEGREE STUB
0151M00101	ACCESS VALVE FITTING
TP-109B	AL COIL-APPROVED CLEANING LIST
PKCG-4001ZC	PISTON KIT CHART

Expanded Model Nomenclature

M1 - CAPFA1714A6BC
M2 - CAPFA1714B6BC
M3 - CAPFA1818A6CC
M4 - CAPFA1818B6CC
M5 - CAPFA1818C6CC
M6 - CAPFA2318A6BC
M7 - CAPFA2318B6BC
M8 - CAPFA2318C6BC
M9 - CAPFA2418A6BC
M10 - CAPFA2418B6BC
M11 - CAPFA2418C6BC
M12 - CAPFA2422A6BC
M13 - CAPFA2422B6BC
M14 - CAPFA2422C6BC
M15 - CAPFA2922A6BC
M16 - CAPFA2922B6BC
M17 - CAPFA2922C6BC
M18 - CAPFA3022A6BC
M19 - CAPFA3022B6BC
M20 - CAPFA3022C6BC
M21 - CAPFA3022D6BC
M22 - CAPFA3526B6AC
M23 - CAPFA3526C6AC
M24 - CAPFA3626B6AC
M25 - CAPFA3626C6AC
M26 - CAPFA3626D6AC
M27 - CAPFA4226B6AC
M28 - CAPFA4226C6AC
M29 - CAPFA4226D6AC

CABINET AND COIL ASSEMBLY

CASE ASSEMBLY



COIL ASSEMBLY MAY DIFFER FROM WHAT IS SHOWN

COIL ASSEMBLY

CABINET AND COIL ASSEMBLY

Ref. Part No: No:	Description:	Ref. Part No: No:	Description:																													
Image 1:		Image 1:																														
131 0121D00502PDG	RAIL BOTTOM,CASED COIL,PAINTED (M1, M3, M6, M9, M12, M15, M18)	NS 5001010	PLATE, LEFT BLOCK OFF (M2, M4, M5, M7, M8, M10, M11, M13, M14, M16, M17, M19, M20, M21, M22, M23, M24, M25, M26, M27, M28, M29)																													
131 0121D00503PDG	RAIL BOTTOM,CASED COIL,PAINTED (M2, M4, M7, M10, M13, M16, M19, M22, M24, M27)	NS 5001011	PLATE, RIGHT BLOCK OFF (M2, M4, M5, M7, M8, M10, M11, M13, M14, M16, M17, M19, M20, M21, M22, M23, M24, M25, M26, M27, M28, M29)																													
131 0121D00504PDG	RAIL BOTTOM,CASED COIL,PAINTED (M5, M8, M11, M14, M17, M20, M23, M25, M28)	NS 0121D00264	RAIL DRAIN PAN, CASED COIL (QTY 2)																													
131 0121D00505PDG	RAIL BOTTOM,CASED COIL,PAINTED (M21, M26, M29)	NS 0163M00097	SCREW-WASHERED (QTY 4)																													
161 0121D00304PDG	RAIL TOP, CASED E COIL,PAINTED (M1, M3, M6, M9, M12, M15, M18)	Expanded Model Nomenclature																														
161 0121D00305PDG	RAIL TOP, CASED E COIL,PAINTED (M2, M4, M7, M10, M13, M16, M19)	<table border="1"> <tr><td>M1 - CAPFA1714A6BC</td></tr> <tr><td>M2 - CAPFA1714B6BC</td></tr> <tr><td>M3 - CAPFA1818A6CC</td></tr> <tr><td>M4 - CAPFA1818B6CC</td></tr> <tr><td>M5 - CAPFA1818C6CC</td></tr> <tr><td>M6 - CAPFA2318A6BC</td></tr> <tr><td>M7 - CAPFA2318B6BC</td></tr> <tr><td>M8 - CAPFA2318C6BC</td></tr> <tr><td>M9 - CAPFA2418A6BC</td></tr> <tr><td>M10 - CAPFA2418B6BC</td></tr> <tr><td>M11 - CAPFA2418C6BC</td></tr> <tr><td>M12 - CAPFA2422A6BC</td></tr> <tr><td>M13 - CAPFA2422B6BC</td></tr> <tr><td>M14 - CAPFA2422C6BC</td></tr> <tr><td>M15 - CAPFA2922A6BC</td></tr> <tr><td>M16 - CAPFA2922B6BC</td></tr> <tr><td>M17 - CAPFA2922C6BC</td></tr> <tr><td>M18 - CAPFA3022A6BC</td></tr> <tr><td>M19 - CAPFA3022B6BC</td></tr> <tr><td>M20 - CAPFA3022C6BC</td></tr> <tr><td>M21 - CAPFA3022D6BC</td></tr> <tr><td>M22 - CAPFA3526B6AC</td></tr> <tr><td>M23 - CAPFA3526C6AC</td></tr> <tr><td>M24 - CAPFA3626B6AC</td></tr> <tr><td>M25 - CAPFA3626C6AC</td></tr> <tr><td>M26 - CAPFA3626D6AC</td></tr> <tr><td>M27 - CAPFA4226B6AC</td></tr> <tr><td>M28 - CAPFA4226C6AC</td></tr> <tr><td>M29 - CAPFA4226D6AC</td></tr> </table>		M1 - CAPFA1714A6BC	M2 - CAPFA1714B6BC	M3 - CAPFA1818A6CC	M4 - CAPFA1818B6CC	M5 - CAPFA1818C6CC	M6 - CAPFA2318A6BC	M7 - CAPFA2318B6BC	M8 - CAPFA2318C6BC	M9 - CAPFA2418A6BC	M10 - CAPFA2418B6BC	M11 - CAPFA2418C6BC	M12 - CAPFA2422A6BC	M13 - CAPFA2422B6BC	M14 - CAPFA2422C6BC	M15 - CAPFA2922A6BC	M16 - CAPFA2922B6BC	M17 - CAPFA2922C6BC	M18 - CAPFA3022A6BC	M19 - CAPFA3022B6BC	M20 - CAPFA3022C6BC	M21 - CAPFA3022D6BC	M22 - CAPFA3526B6AC	M23 - CAPFA3526C6AC	M24 - CAPFA3626B6AC	M25 - CAPFA3626C6AC	M26 - CAPFA3626D6AC	M27 - CAPFA4226B6AC	M28 - CAPFA4226C6AC	M29 - CAPFA4226D6AC
M1 - CAPFA1714A6BC																																
M2 - CAPFA1714B6BC																																
M3 - CAPFA1818A6CC																																
M4 - CAPFA1818B6CC																																
M5 - CAPFA1818C6CC																																
M6 - CAPFA2318A6BC																																
M7 - CAPFA2318B6BC																																
M8 - CAPFA2318C6BC																																
M9 - CAPFA2418A6BC																																
M10 - CAPFA2418B6BC																																
M11 - CAPFA2418C6BC																																
M12 - CAPFA2422A6BC																																
M13 - CAPFA2422B6BC																																
M14 - CAPFA2422C6BC																																
M15 - CAPFA2922A6BC																																
M16 - CAPFA2922B6BC																																
M17 - CAPFA2922C6BC																																
M18 - CAPFA3022A6BC																																
M19 - CAPFA3022B6BC																																
M20 - CAPFA3022C6BC																																
M21 - CAPFA3022D6BC																																
M22 - CAPFA3526B6AC																																
M23 - CAPFA3526C6AC																																
M24 - CAPFA3626B6AC																																
M25 - CAPFA3626C6AC																																
M26 - CAPFA3626D6AC																																
M27 - CAPFA4226B6AC																																
M28 - CAPFA4226C6AC																																
M29 - CAPFA4226D6AC																																
161 0121D00306PDG	RAIL TOP, CASED E COIL,PAINTED (M5, M8, M11, M14, M17, M20, M23, M25, M28)																															
161 0121D00307PDG	RAIL TOP, CASED E COIL,PAINTED (M21, M26, M29)																															
191 0154D00037	GASKET, DRAIN PAN																															
201 0121D00540PDG	PNL ACCESS PNT, CASED E COIL (M4, M7, M10)																															
201 0121D00541PDG	PNL ACCESS PNT, CASED E COIL (M5, M8, M11)																															
201 0121D00566PDG	PNL ACCESS PNT, CASED E COIL (M2)																															
201 0121D00930PDG	PNL ACCESS PNT, CASED E COIL (M1)																															
201 0121D00933PDG	PNL ACCESS PNT, CASED E COIL (M3, M6, M9)																															
201 0121D00936PDG	PNL ACCESS PNT, CASED E COIL (M12, M15, M18)																															
201 0121D00543PDG	PNL ACCESS, PAINTED (M14, M17, M20)																															
201 0121D00544PDG	PNL ACCESS, PAINTED (M21)																															
201 0121D00545PDG	PNL ACCESS, PAINTED (M13, M16, M19)																															
201 0121D00597PDG	PNL ACCESS, PAINTED (M23, M25, M28)																															
201 0121D00600PDG	PNL ACCESS, PAINTED (M26, M29)																															
201 0121D00758PDG	PNL ACCESS, PAINTED (M22, M24, M27)																															
301 0154D00004	GROMMET, LIQUID (M1, M2, M3, M4, M5, M6, M7, M8, M9, M10, M11, M12, M13, M14, M15, M16, M17, M18, M19, M20, M21, M22, M24, M27)																															
301 0154D00013	GROMMET, LIQUID (M23, M25, M26, M28, M29)																															
311 0154D00005	GROMMET, SUCTION (M1, M2, M3, M4, M5, M6, M7, M8, M9, M10, M11, M12, M13, M14, M15, M16, M17, M18, M19, M20, M21)																															
311 0154D00014	GROMMET, SUCTION (M22, M23, M24, M25, M26, M27, M28, M29)																															
331 0161D00049	DRAIN PAN MAIN, E COIL (M2, M4, M7, M10, M13, M16, M19, M22, M24, M27)																															
331 0161D00050	DRAIN PAN MAIN, E COIL (M5, M8, M11, M14, M17, M20, M23, M25, M28)																															
331 0161D00051	DRAIN PAN MAIN, E COIL (M21, M26, M29)																															
331 0161D00116	DRAIN PAN MAIN, E COIL (M1, M3, M6, M9, M12, M15, M18)																															
351 0151M00104	VALVE CORE																															
361 0163M00175	CAP W/O-RING																															
NS BT1369063	90 DEGREE STUB																															
NS 0151M00101	ACCESS VALVE FITTING																															
NS TP-109B	AL COIL-APPROVED CLEANING LIST																															
NS PKCG-4001ZC	PISTON KIT CHART																															

FOR REPLACEMENT COIL, ORDER EQUIVALENT CAUF* COIL.