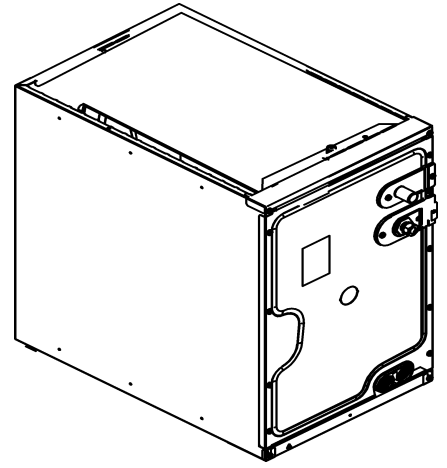


REPAIR PARTS

CAPFA Cased E Coil

CAPFA1818A6DA
CAPFA1818B6DA
CAPFA1818C6DA
CAPFA2418A6CA
CAPFA2418B6CA
CAPFA2418C6CA
CAPFA2422A6CA
CAPFA2422B6CA
CAPFA2422C6CA
CAPFA3022A6CA
CAPFA3022B6CA
CAPFA3022C6CA
CAPFA3022D6CA
CAPFA3626B6BA
CAPFA3626C6BA
CAPFA3626D6BA
CAPFA4226B6BA
CAPFA4226C6BA
CAPFA4226D6BA



This manual is to be used by qualified technicians only.

© 2024 Goodman Manufacturing Company, L.P. ♦ 19001 Kermier Rd. ♦ Waller, TX 77484

Important Information

Index

Functional Parts List	3
Illustration and Parts	4 - 5

Views shown are for parts illustrations only, not servicing procedures.

Text Codes:

AR - As Required

NA - Not Available

NS - Not Shown

00000000 - See Note

QTY - Quantity Example (QTY 3) (If Quantity not shown, Quantity = 1)

M - Model Example (M1) (If M Code not shown, then part is used on all Models)

Expanded Model Nomenclature:

Example M1 - Model#1 M2 - Model#2 M3 - Model#3

Goodman Manufacturing Company, L.P. is not responsible for personal injury or property damage resulting from improper service. Review all service information before beginning repairs.

Warranty service must be performed by an authorized technician, using authorized factory parts. If service is required after the warranty expires, Goodman Manufacturing Company, L.P. also recommends contacting an authorized technician and using authorized factory parts.

Goodman Manufacturing Company, L.P. reserves the right to discontinue, or change at any time, specifications or designs without notice or without incurring obligations.

For assistance within the U.S.A. contact:
Homeowner Support
Goodman Manufacturing Company, L.P.
19001 Kermier Road
Waller, Texas 77484
877-254-4729-Telephone
713-863-2382-Facsimile

For assistance outside the U.S.A. contact:
International Division
Goodman Manufacturing Company, L.P.
19001 Kermier Road
Waller, Texas 77484
713-861-2500-Telephone
713-863-2382-Facsimile

Functional Parts

Part

No: **Description:**

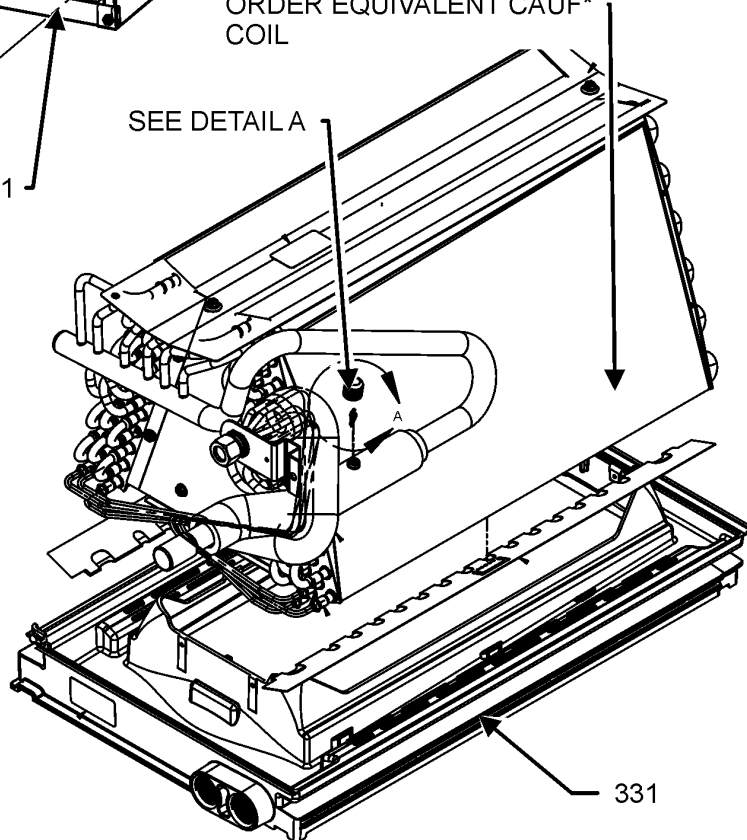
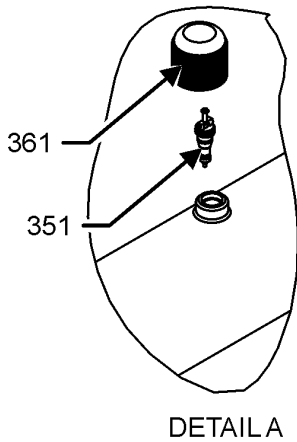
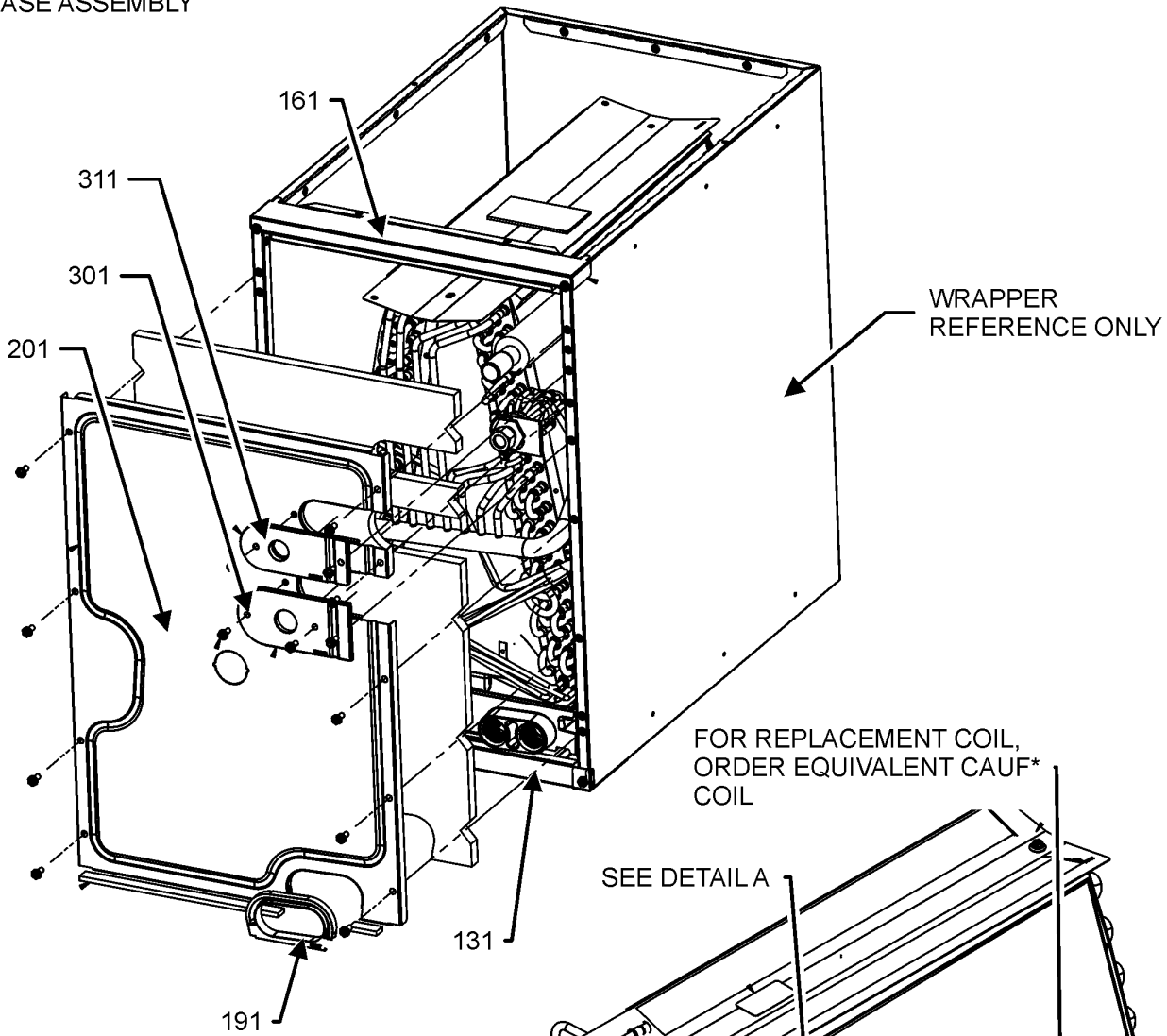
BT1369063 90 DEGREE STUB
0151M00101 ACCESS VALVE FITTING
TP-109B AL COIL-APPROVED CLEANING LIST
PKCG-4001ZC PISTON KIT CHART

Expanded Model Nomenclature

M1 - CAPFA 1818A6DA
M2 - CAPFA 1818B6DA
M3 - CAPFA 1818C6DA
M4 - CAPFA 2418A6CA
M5 - CAPFA 2418B6CA
M6 - CAPFA 2418C6CA
M7 - CAPFA 2422A6CA
M8 - CAPFA 2422B6CA
M9 - CAPFA 2422C6CA
M10 - CAPFA 3022A6CA
M11 - CAPFA 3022B6CA
M12 - CAPFA 3022C6CA
M13 - CAPFA 3022D6CA
M14 - CAPFA 3626B6BA
M15 - CAPFA 3626C6BA
M16 - CAPFA 3626D6BA
M17 - CAPFA 4226B6BA
M18 - CAPFA 4226C6BA
M19 - CAPFA 4226D6BA

CABINET AND COIL ASSEMBLY

CASE ASSEMBLY



COIL ASSEMBLY MAY DIFFER FROM WHAT IS SHOWN

COIL ASSEMBLY

CABINET AND COIL ASSEMBLY

Ref. Part No:	Ref. Part No:	Description:	Description:																				
Image 1:		Image 1:																					
131	0121D00502PDG	RAIL BOTTOM,CASED COIL,PAINTED (M1, M4, M7, M10)	NS PKCG-4001ZC PISTON KIT CHART																				
131	0121D00503PDG	RAIL BOTTOM,CASED COIL,PAINTED (M2, M5, M8, M11, M14, M17)	NS 5001010 PLATE, LEFT BLOCK OFF (M2, M3, M5, M6, M8, M9, M11, M12, M13, M14, M15, M16, M17, M18, M19)																				
131	0121D00504PDG	RAIL BOTTOM,CASED COIL,PAINTED (M3, M6, M9, M12, M15, M18)	NS 5001011 PLATE, RIGHT BLOCK OFF (M2, M3, M5, M6, M8, M9, M11, M12, M13, M14, M15, M16, M17, M18, M19)																				
131	0121D00505PDG	RAIL BOTTOM,CASED COIL,PAINTED (M13, M16, M19)	NS 0121D01124 RAIL DRAIN PAN, CASED COIL (QTY 2)																				
161	0121D00304PDG	RAIL TOP, CASED E COIL,PAINTED (M1, M4, M7, M10)	NS 0163M00097 SCREW-WASHERED (QTY 4)																				
161	0121D00305PDG	RAIL TOP, CASED E COIL,PAINTED (M2, M5, M8, M11)	Expanded Model Nomenclature																				
161	0121D00306PDG	RAIL TOP, CASED E COIL,PAINTED (M3, M6, M9, M12, M15, M18)	<table border="1"> <tr><td>M1 - CAPFA1818A6DA</td></tr> <tr><td>M2 - CAPFA1818B6DA</td></tr> <tr><td>M3 - CAPFA1818C6DA</td></tr> <tr><td>M4 - CAPFA2418A6CA</td></tr> <tr><td>M5 - CAPFA2418B6CA</td></tr> <tr><td>M6 - CAPFA2418C6CA</td></tr> <tr><td>M7 - CAPFA2422A6CA</td></tr> <tr><td>M8 - CAPFA2422B6CA</td></tr> <tr><td>M9 - CAPFA2422C6CA</td></tr> <tr><td>M10 - CAPFA3022A6CA</td></tr> <tr><td>M11 - CAPFA3022B6CA</td></tr> <tr><td>M12 - CAPFA3022C6CA</td></tr> <tr><td>M13 - CAPFA3022D6CA</td></tr> <tr><td>M14 - CAPFA3626B6BA</td></tr> <tr><td>M15 - CAPFA3626C6BA</td></tr> <tr><td>M16 - CAPFA3626D6BA</td></tr> <tr><td>M17 - CAPFA4226B6BA</td></tr> <tr><td>M18 - CAPFA4226C6BA</td></tr> <tr><td>M19 - CAPFA4226D6BA</td></tr> </table>		M1 - CAPFA1818A6DA	M2 - CAPFA1818B6DA	M3 - CAPFA1818C6DA	M4 - CAPFA2418A6CA	M5 - CAPFA2418B6CA	M6 - CAPFA2418C6CA	M7 - CAPFA2422A6CA	M8 - CAPFA2422B6CA	M9 - CAPFA2422C6CA	M10 - CAPFA3022A6CA	M11 - CAPFA3022B6CA	M12 - CAPFA3022C6CA	M13 - CAPFA3022D6CA	M14 - CAPFA3626B6BA	M15 - CAPFA3626C6BA	M16 - CAPFA3626D6BA	M17 - CAPFA4226B6BA	M18 - CAPFA4226C6BA	M19 - CAPFA4226D6BA
M1 - CAPFA1818A6DA																							
M2 - CAPFA1818B6DA																							
M3 - CAPFA1818C6DA																							
M4 - CAPFA2418A6CA																							
M5 - CAPFA2418B6CA																							
M6 - CAPFA2418C6CA																							
M7 - CAPFA2422A6CA																							
M8 - CAPFA2422B6CA																							
M9 - CAPFA2422C6CA																							
M10 - CAPFA3022A6CA																							
M11 - CAPFA3022B6CA																							
M12 - CAPFA3022C6CA																							
M13 - CAPFA3022D6CA																							
M14 - CAPFA3626B6BA																							
M15 - CAPFA3626C6BA																							
M16 - CAPFA3626D6BA																							
M17 - CAPFA4226B6BA																							
M18 - CAPFA4226C6BA																							
M19 - CAPFA4226D6BA																							
161	0121D00307PDG	RAIL TOP, CASED E COIL,PAINTED (M13, M16, M19)																					
161	0121D00756PDG	RAIL TOP, CASED E COIL,PAINTED (M14, M17)																					
191	0154D00037	GASKET, DRAIN PAN																					
201	0121D00541PDG	PNL ACCESS PNT, CASED E COIL (M3, M6)																					
201	0121D00933PDG	PNL ACCESS PNT, CASED E COIL (M1, M4)																					
201	0121D00936PDG	PNL ACCESS PNT, CASED E COIL (M7, M10)																					
201	0121D01126PDG	PNL ACCESS PNT, CASED E COIL (M14, M17)																					
201	0121D01127PDG	PNL ACCESS PNT, CASED E COIL (M8, M11)																					
201	0121D01135PDG	PNL ACCESS PNT, CASED E COIL (M2, M5)																					
201	0121D00543PDG	PNL ACCESS, PAINTED (M9, M12)																					
201	0121D00544PDG	PNL ACCESS, PAINTED (M13)																					
201	0121D00597PDG	PNL ACCESS, PAINTED (M15, M18)																					
201	0121D00600PDG	PNL ACCESS, PAINTED (M16, M19)																					
301	0154D00004	GROMMET, LIQUID (M1, M2, M3, M4, M5, M6, M7, M8, M9, M10, M11, M12, M13, M14, M17)																					
301	0154D00013	GROMMET, LIQUID (M15, M16, M18, M19)																					
311	0154D00005	GROMMET, SUCTION (M1, M2, M3, M4, M5, M6, M7, M8, M9, M10, M11, M12, M13)																					
311	0154D00014	GROMMET, SUCTION (M14, M15, M16, M17, M18, M19)																					
331	0161D00194	DRAIN PAN (M2, M5, M8, M11, M14, M17)																					
331	0161D00241	DRAIN PAN (M3, M6, M9, M12, M15, M18)																					
331	0161D00242	DRAIN PAN (M13, M16, M19)																					
331	0161D00116	DRAIN PAN MAIN, E COIL (M1, M4, M7, M10)																					
351	0151M00104	VALVE CORE																					
361	0163M00175	CAP W/O-RING																					
NS	BT1369063	90 DEGREE STUB																					
NS	0151M00101	ACCESS VALVE FITTING																					
NS	TP-109B	AL COIL-APPROVED CLEANING LIST																					
NS	0121D00497	BLOCKOFF DOWNFLOW (QTY 2)																					
NS	0121D01038	METAL REINFORCEMENT, DRAIN PAN (M1, M4, M7, M10)																					
NS	0121D01039	METAL REINFORCEMENT, DRAIN PAN (M2, M5, M8, M11, M14, M17)																					
NS	0121D01041	METAL REINFORCEMENT, DRAIN PAN (M13, M16, M19)																					
NS	0121D01052	METAL REINFORCEMENT, DRAIN PAN (M3, M6, M9, M12, M15, M18)																					

FOR REPLACEMENT COIL, ORDER EQUIVALENT CAUF* COIL.