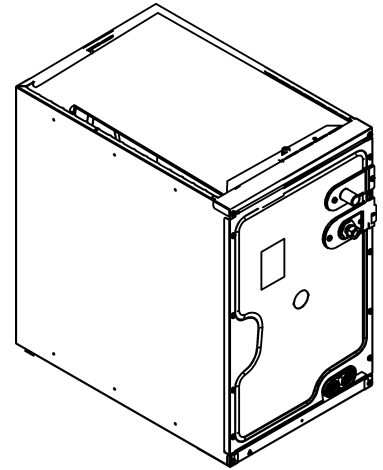


REPAIR PARTS

CAPTA Cased E Coil

CAPTA1818A4BA
CAPTA1818B4BA
CAPTA2422A4BA
CAPTA2422B4BA
CAPTA2422C4BA
CAPTA3022A4BA
CAPTA3022B4BA
CAPTA3022C4BA
CAPTA3026B4BA
CAPTA3026C4BA
CAPTA3626B4BA
CAPTA3626C4BA
CAPTA4230C4BA
CAPTA4230D4BA



This manual is to be used by qualified technicians only.

© 2024 Goodman Manufacturing Company, L.P. ♦ 19001 Kermier Rd. ♦ Waller, TX 77484

Important Information

Index

Functional Parts List	3
Illustration and Parts	4 - 5

Views shown are for parts illustrations only, not servicing procedures.

Text Codes:

AR - As Required

NA - Not Available

NS - Not Shown

00000000 - See Note

QTY - Quantity Example (QTY 3) (If Quantity not shown, Quantity = 1)

M - Model Example (M1) (If M Code not shown, then part is used on all Models)

Expanded Model Nomenclature:

Example M1 - Model#1 M2 - Model#2 M3 - Model#3

Goodman Manufacturing Company, L.P. is not responsible for personal injury or property damage resulting from improper service. Review all service information before beginning repairs.

Warranty service must be performed by an authorized technician, using authorized factory parts. If service is required after the warranty expires, Goodman Manufacturing Company, L.P. also recommends contacting an authorized technician and using authorized factory parts.

Goodman Manufacturing Company, L.P. reserves the right to discontinue, or change at any time, specifications or designs without notice or without incurring obligations.

For assistance within the U.S.A. contact:
Homeowner Support
Goodman Manufacturing Company, L.P.
19001 Kermier Road
Waller, Texas 77484
877-254-4729-Telephone
713-863-2382-Facsimile

For assistance outside the U.S.A. contact:
International Division
Goodman Manufacturing Company, L.P.
19001 Kermier Road
Waller, Texas 77484
713-861-2500-Telephone
713-863-2382-Facsimile

Functional Parts

Part

No: Description:

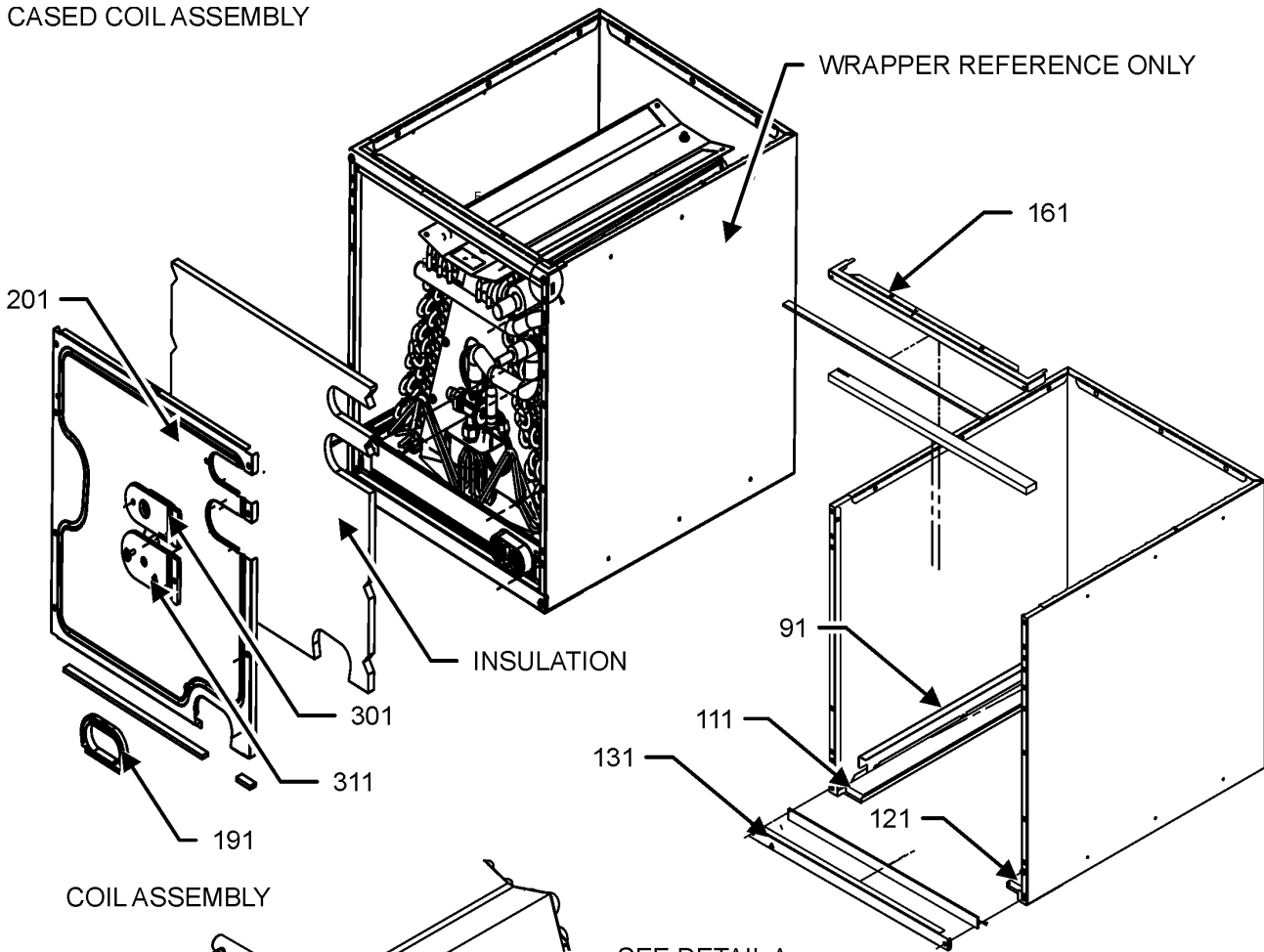
0151R00209	TXV-FX-2T-ADJ VALVE (M1, M2, M3, M4, M5)
0151R00210	TXV-FX-3T-ADJ VALVE (M6, M7, M8, M9, M10, M11, M12)
0151R00212	TXV-FX-5T-ADJ VALVE (M13, M14)

Expanded Model Nomenclature

M1 - CAPTA1818A4BA
M2 - CAPTA1818B4BA
M3 - CAPTA2422A4BA
M4 - CAPTA2422B4BA
M5 - CAPTA2422C4BA
M6 - CAPTA3022A4BA
M7 - CAPTA3022B4BA
M8 - CAPTA3022C4BA
M9 - CAPTA3026B4BA
M10 - CAPTA3026C4BA
M11 - CAPTA3626B4BA
M12 - CAPTA3626C4BA
M13 - CAPTA4230C4BA
M14 - CAPTA4230D4BA

CASED E COIL ASSEMBLY

CASED COIL ASSEMBLY



CASED E COIL ASSEMBLY

Ref. Part No:	Ref. Part No:	Description:	Description:
Image 1:		Expanded Model Nomenclature	
91	0121D01124	RAIL DRAIN PAN, CASED COIL (QTY 2)	M1 - CAPTA1818A4BA
111	5001010	PLATE, LEFT BLOCK OFF (M2, M4, M5, M7, M8, M9, M10, M11, M12, M13, M14)	M2 - CAPTA1818B4BA
121	5001011	PLATE, RIGHT BLOCK OFF (M2, M4, M5, M7, M8, M9, M10, M11, M12, M13, M14)	M3 - CAPTA2422A4BA
131	0121D00502PDG	RAIL BOTTOM,CASED COIL,PAINTED (M1, M3, M6)	M4 - CAPTA2422B4BA
131	0121D00503PDG	RAIL BOTTOM,CASED COIL,PAINTED (M2, M4, M7, M9, M11)	M5 - CAPTA2422C4BA
131	0121D00504PDG	RAIL BOTTOM,CASED COIL,PAINTED (M5, M8, M10, M12, M13)	M6 - CAPTA3022A4BA
131	0121D00505PDG	RAIL BOTTOM,CASED COIL,PAINTED (M14)	M7 - CAPTA3022B4BA
161	0121D00906PDG	RAIL TOP PNT, CASED E COIL (M1, M3, M6)	M8 - CAPTA3022C4BA
161	0121D00907PDG	RAIL TOP PNT, CASED E COIL (M2, M4, M7, M9, M11)	M9 - CAPTA3026B4BA
161	0121D00908PDG	RAIL TOP PNT, CASED E COIL (M5, M8, M10, M12, M13)	M10 - CAPTA3026C4BA
161	0121D00909PDG	RAIL TOP PNT, CASED E COIL (M14)	M11 - CAPTA3626B4BA
191	0154D00037	GASKET, DRAIN PAN	M12 - CAPTA3626C4BA
201	0121D00684PDG	PNL ACCESS PNT, CASED E COIL (M13)	M13 - CAPTA4230C4BA
201	0121D00685PDG	PNL ACCESS PNT, CASED E COIL (M14)	M14 - CAPTA4230D4BA
201	0121D00933PDG	PNL ACCESS PNT, CASED E COIL (M1)	
201	0121D00936PDG	PNL ACCESS PNT, CASED E COIL (M3, M6)	
201	0121D01126PDG	PNL ACCESS PNT, CASED E COIL (M9, M11)	
201	0121D01127PDG	PNL ACCESS PNT, CASED E COIL (M4, M7)	
201	0121D01135PDG	PNL ACCESS PNT, CASED E COIL (M2)	
201	0121D00543PDG	PNL ACCESS, PAINTED (M5, M8)	
201	0121D00597PDG	PNL ACCESS, PAINTED (M10, M12)	
211	0161D00194	DRAIN PAN (M2, M4, M7, M9, M11)	
211	0161D00241	DRAIN PAN (M5, M8, M10, M12, M13)	
211	0161D00242	DRAIN PAN (M14)	
211	0161D00116	DRAIN PAN MAIN, E COIL (M1, M3, M6)	
261	0151R00209	TXV-FX-2T-ADJ VALVE (M1, M2, M3, M4, M5)	
261	0151R00210	TXV-FX-3T-ADJ VALVE (M6, M7, M8, M9, M10, M11, M12)	
261	0151R00212	TXV-FX-5T-ADJ VALVE (M13, M14)	
301	0154D00015	GROMMET, LIQUID TUBE (M10, M12, M13, M14)	
301	0154D00040	GROMMET, LIQUID TUBE (M1, M2, M3, M4, M5, M6, M7, M8, M9, M11)	
311	0154D00014	GROMMET SUCTION (M9, M10, M11, M12, M13, M14)	
311	0154D00005	GROMMET, SUCTION (M1, M2, M3, M4, M5, M6, M7, M8)	
351	0151M00104	VALVE CORE	
361	0163M00175	CAP W/O-RING	
NS	0121D00497	DOWNFLOW BLOCKOFF (QTY 2)	
NS	0121D01038	METAL REINFORCEMENT, DRAIN PAN (M1, M3, M6)	
NS	0121D01039	METAL REINFORCEMENT, DRAIN PAN (M2, M4, M7, M9, M11)	
NS	0121D01041	METAL REINFORCEMENT, DRAIN PAN (M14)	
NS	0121D01052	METAL REINFORCEMENT, DRAIN PAN (M5, M8, M10, M12, M13)	

FOR REPLACEMENT COIL ORDER APPROPRIATE CAPT COIL