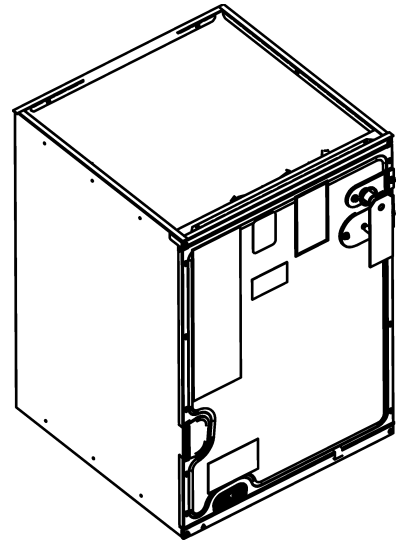


REPAIR PARTS

CAHEA CCHP Cased Coil

CAHEA3630C3AA



This manual is to be used by qualified technicians only.

© 2025 Goodman Manufacturing Company, L.P. ♦ 19001 Kermier Rd. ♦ Waller, TX 77484

Important Information

Index

Functional Parts List	3
Illustration and Parts	4 - 7

Views shown are for parts illustrations only, not servicing procedures.

Text Codes:

AR - As Required

NA - Not Available

NS - Not Shown

00000000 - See Note

QTY - Quantity Example (QTY 3) (If Quantity not shown, Quantity = 1)

M - Model Example (M1) (If M Code not shown, then part is used on all Models)

Expanded Model Nomenclature:

Example M1 - Model#1 M2 - Model#2 M3 - Model#3

Goodman Manufacturing Company, L.P. is not responsible for personal injury or property damage resulting from improper service. Review all service information before beginning repairs.

Warranty service must be performed by an authorized technician, using authorized factory parts. If service is required after the warranty expires, Goodman Manufacturing Company, L.P. also recommends contacting an authorized technician and using authorized factory parts.

Goodman Manufacturing Company, L.P. reserves the right to discontinue, or change at any time, specifications or designs without notice or without incurring obligations.

For assistance within the U.S.A. contact:
Homeowner Support
Goodman Manufacturing Company, L.P.
19001 Kermier Road
Waller, Texas 77484
877-254-4729-Telephone
713-863-2382-Facsimile

For assistance outside the U.S.A. contact:
International Division
Goodman Manufacturing Company, L.P.
19001 Kermier Road
Waller, Texas 77484
713-861-2500-Telephone
713-863-2382-Facsimile

Functional Parts

Part

No:

Description:

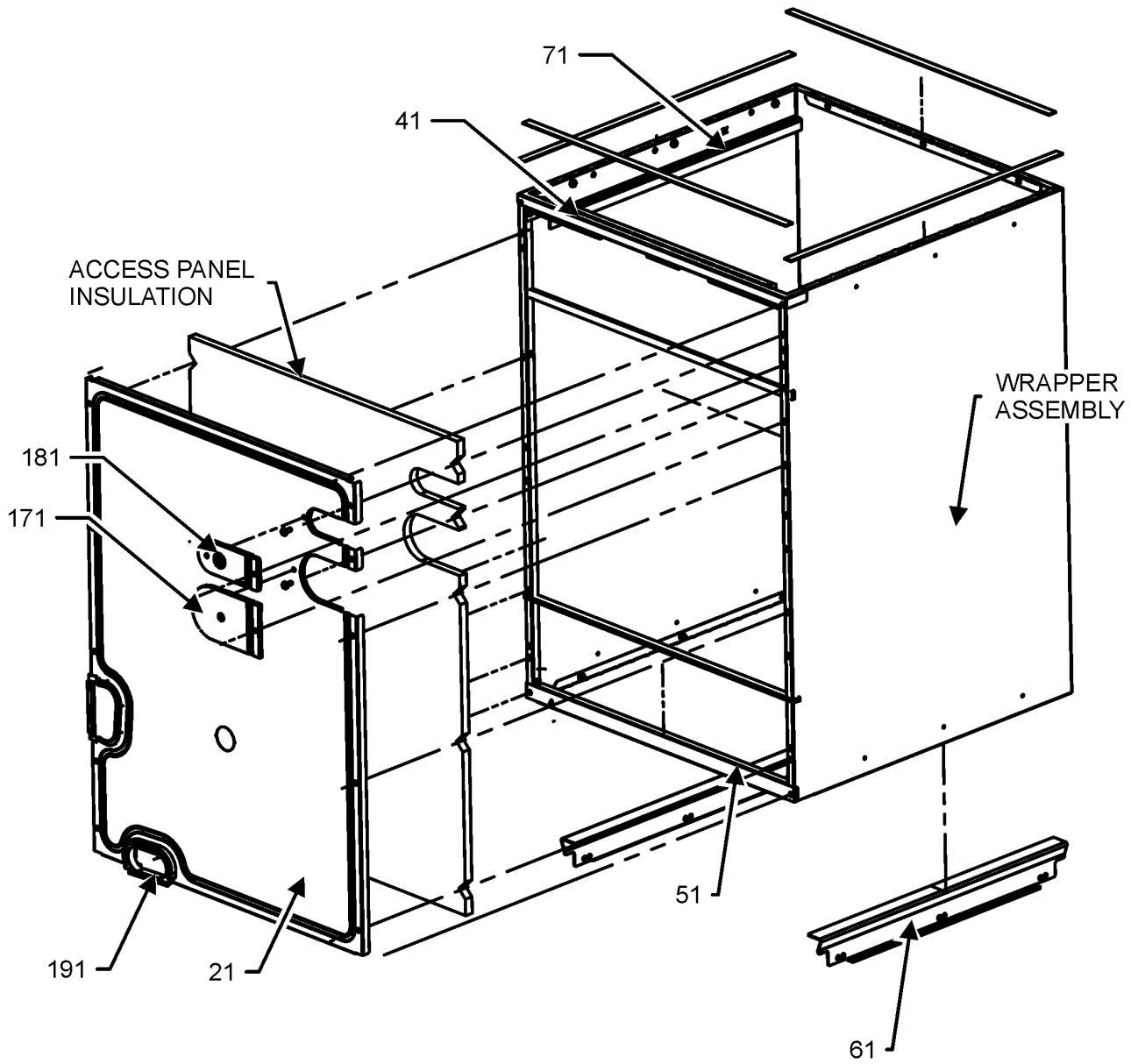
3P381420-2	EEV COIL
3S481012-2	PRESSURE SENSOR
3S500031-1	PULSE MOTOR EXPANS EEV
SER2A08012	SENSATA R32 SENSOR

Expanded Model Nomenclature

M1 - CAHEA3630C3AA

CABINET ASSEMBLY

CABINET ASSEMBLY



CABINET ASSEMBLY MAY DIFFER FROM WHAT IS SHOWN

CABIENT ASSEMBLY

Ref. Part No:	No:	Description:	Ref. Part No:	No:	Description:
---------------	-----	--------------	---------------	-----	--------------

Image 1:

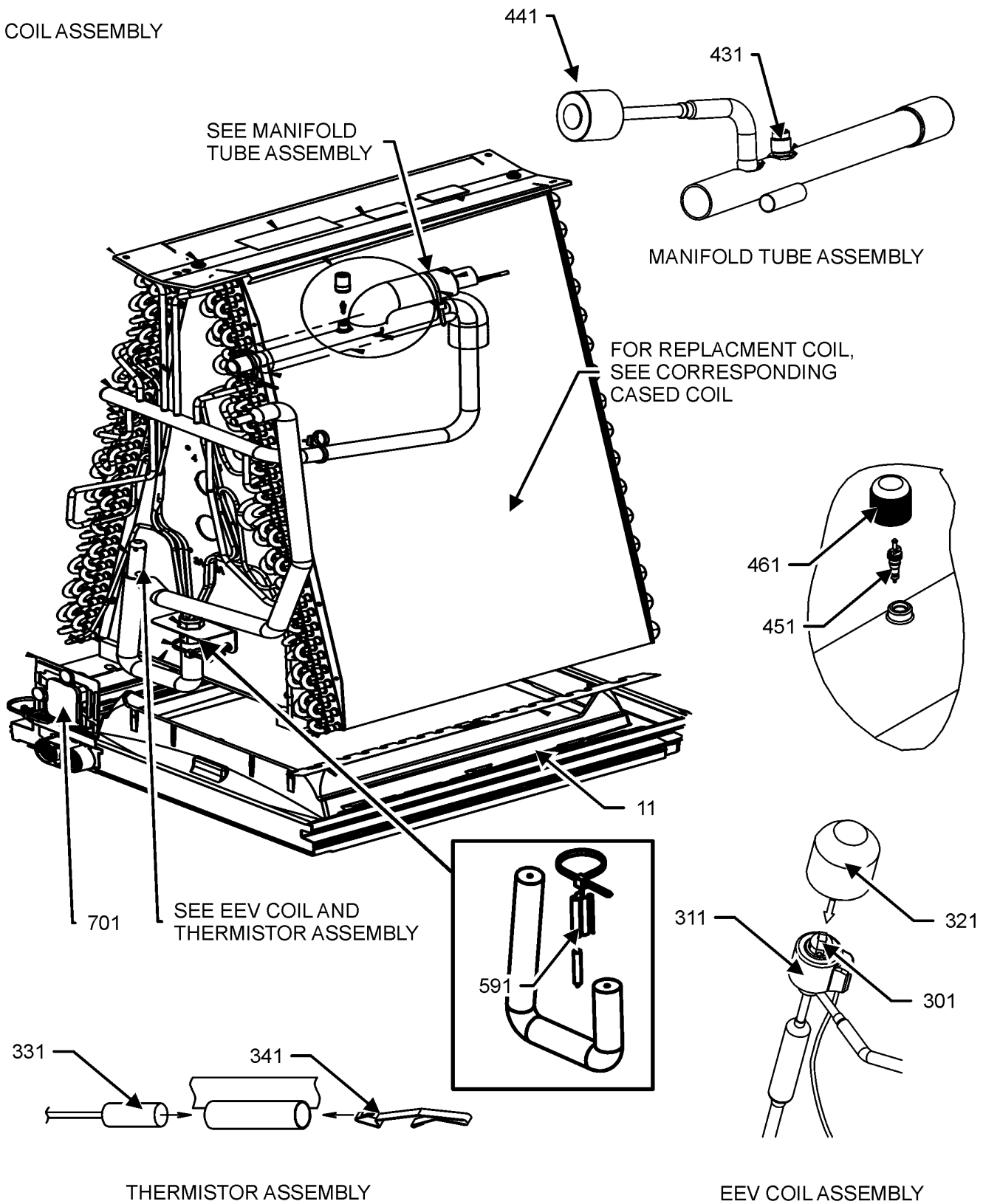
21	0121D00687PDG	PNL ACCESS PNT, CASED E COIL
41	0121D00908PDG	RAIL TOP PNT, CASED E COIL
51	0121D00504PDG	RAIL BOTTOM,CASED COIL,PAINTED
61	0121D01124	RAIL DRAIN PAN CASED COIL (QTY 2)
71	0121D00811	RAIL DRAIN PAN
171	0154D00015	GROMMET, LIQUID TUBE
181	0154D00005	GROMMET, SUCTION
191	0154D00037	GASKET, DRAIN PAN
NS	0140D00205	LABEL WARNING

Expanded Model Nomenclature

M1 - CAHEA3630C3AA

COIL ASSEMBLY

COIL ASSEMBLY



COIL ASSEMBLY MAY DIFFER FROM WHAT IS SHOWN

COIL ASSEMBLY

Ref. Part No: No:	Description:	Ref. Part No: No:	Description:
----------------------	--------------	----------------------	--------------

Image 1:

11	0161D00241	DRAIN PAN
301	3S500031-1	PULSE MOTOR EXPANS EEV
311	3P381420-2	EEV COIL
321	4P399446-1	WATERPROOF CAP
331	4P389796-2	THERMISTOR ASSY
341	4PA38890-1	MOUNTING SPRING, THERMISTOR
431	0151M00101	ACCESS VALVE FITTING
441	3S481012-2	PRESSURE SENSOR
451	0151M00104	VALVE CORE
461	0163M00629	RED CAP W/O-RING
591	4PA18309-2	RETAINER THERMISTOR
701	SER2A08012	SENSATA R32 SENSOR
NS	0121D00497	BLOCKOFF DOWNFLOW (QTY 2)
NS	3P277773-25	FILTER
NS	3P277773-8	FILTER
NS	0154D00037	GASKET, DRAIN PAN
NS	0161A00134	PUSH PLUG (QTY 2)
NS	0163M00097	SCREW WASHED (QTY 4)
NS	0121A01738	SENSOR BRACKET
NS	0270D20004	SENSOR BRACKET ASSEMBLY

Expanded Model Nomenclature

M1 - CAHEA3630C3AA

FOR REPLACEMENT COIL, SEE CORRESPONDING CASED COIL