

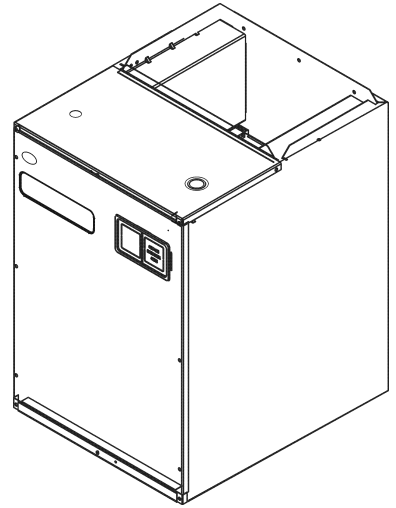
# REPAIR PARTS

---

## MBVK Modular Blower

MBVK16CH0X00AA

MBVK16CH1X00AA



This manual is to be used by qualified technicians only.

© 2025 Goodman Manufacturing Company, L.P. ♦ 19001 Kermier Rd. ♦ Waller, TX 77484

# Important Information

---

## Index

Functional Parts List .....	3
Illustration and Parts .....	4 - 7

*Views shown are for parts illustrations only, not servicing procedures.*

### Text Codes:

AR - As Required

NA - Not Available

NS - Not Shown

00000000 - See Note

QTY - Quantity Example (QTY 3) (If Quantity not shown, Quantity = 1)

M - Model Example (M1) (If M Code not shown, then part is used on all Models)

### Expanded Model Nomenclature:

Example M1 - Model#1 M2 - Model#2 M3 - Model#3
---

Goodman Manufacturing Company, L.P. is not responsible for personal injury or property damage resulting from improper service. Review all service information before beginning repairs.

Warranty service must be performed by an authorized technician, using authorized factory parts. If service is required after the warranty expires, Goodman Manufacturing Company, L.P. also recommends contacting an authorized technician and using authorized factory parts.

Goodman Manufacturing Company, L.P. reserves the right to discontinue, or change at any time, specifications or designs without notice or without incurring obligations.

For assistance within the U.S.A. contact:  
Homeowner Support  
Goodman Manufacturing Company, L.P.  
19001 Kermier Road  
Waller, Texas 77484  
877-254-4729-Telephone  
713-863-2382-Facsimile

For assistance outside the U.S.A. contact:  
International Division  
Goodman Manufacturing Company, L.P.  
19001 Kermier Road  
Waller, Texas 77484  
713-861-2500-Telephone  
713-863-2382-Facsimile

# Functional Parts

## Part

**No:**            **Description:**

---

SHARED DATA    Availble thru CoolCloud HVAC app  
0131M01003        MOTOR, 3/4 HP  
0272A00418        PCB ASSY  
0130M00138        TRANSFORMER, 208/230, 24V (M2)  
0130M00139        TRANSFORMER, 40VA,120VTO24V (M1)

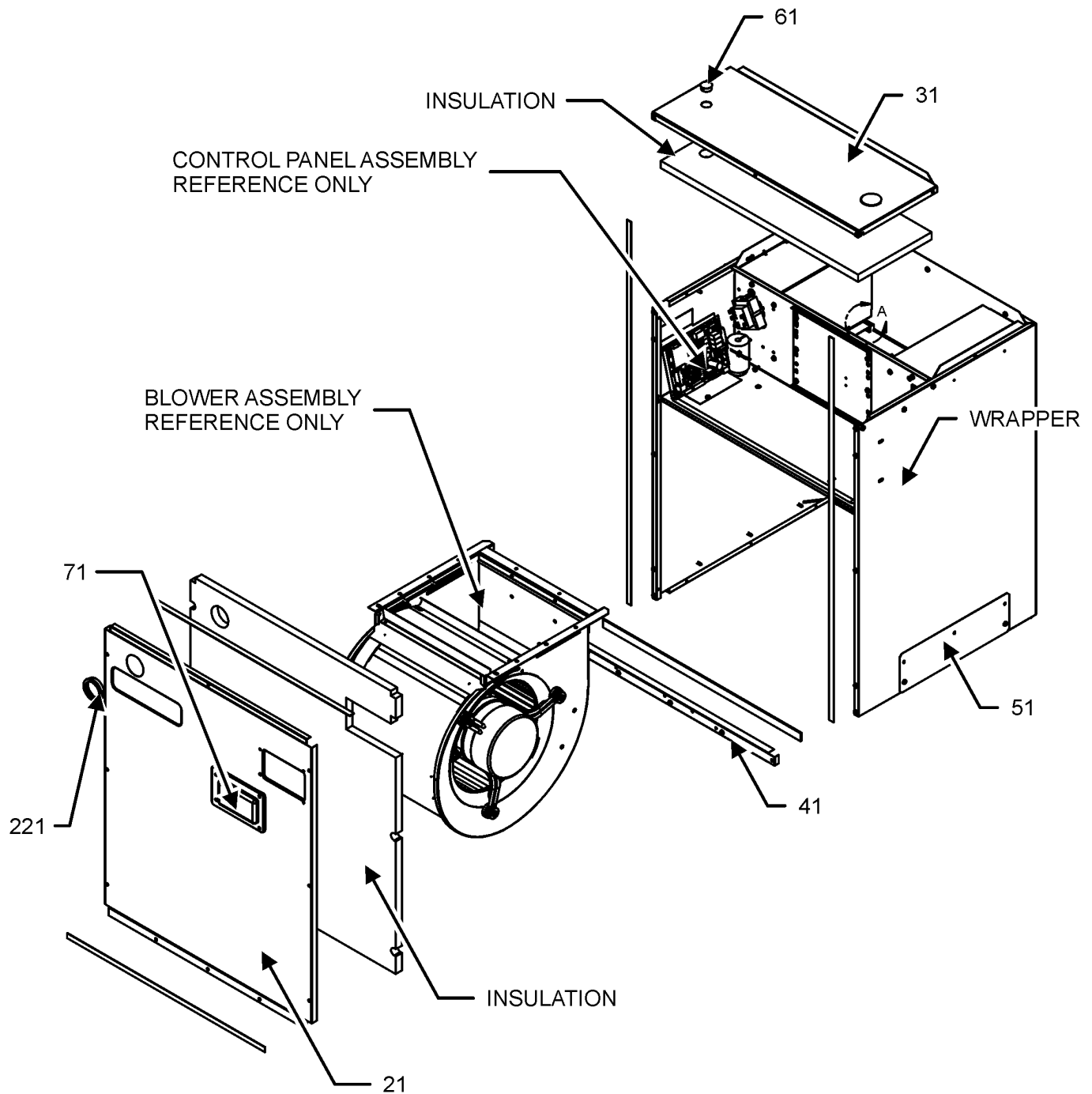
### Expanded Model Nomenclature

M1 - MBVK16CH0X00AA

M2 - MBVK16CH1X00AA

# CHASSIS ASSEMBLY

## CHASSIS ASSEMBLY



CHASSIS ASSEMBLY MAY DIFFER FROM WHAT IS SHOWN

# CHASSIS ASSEMBLY

Ref. Part No:	No:	Description:	Ref. Part No:	No:	Description:
---------------	-----	--------------	---------------	-----	--------------

---

**Image 1:**

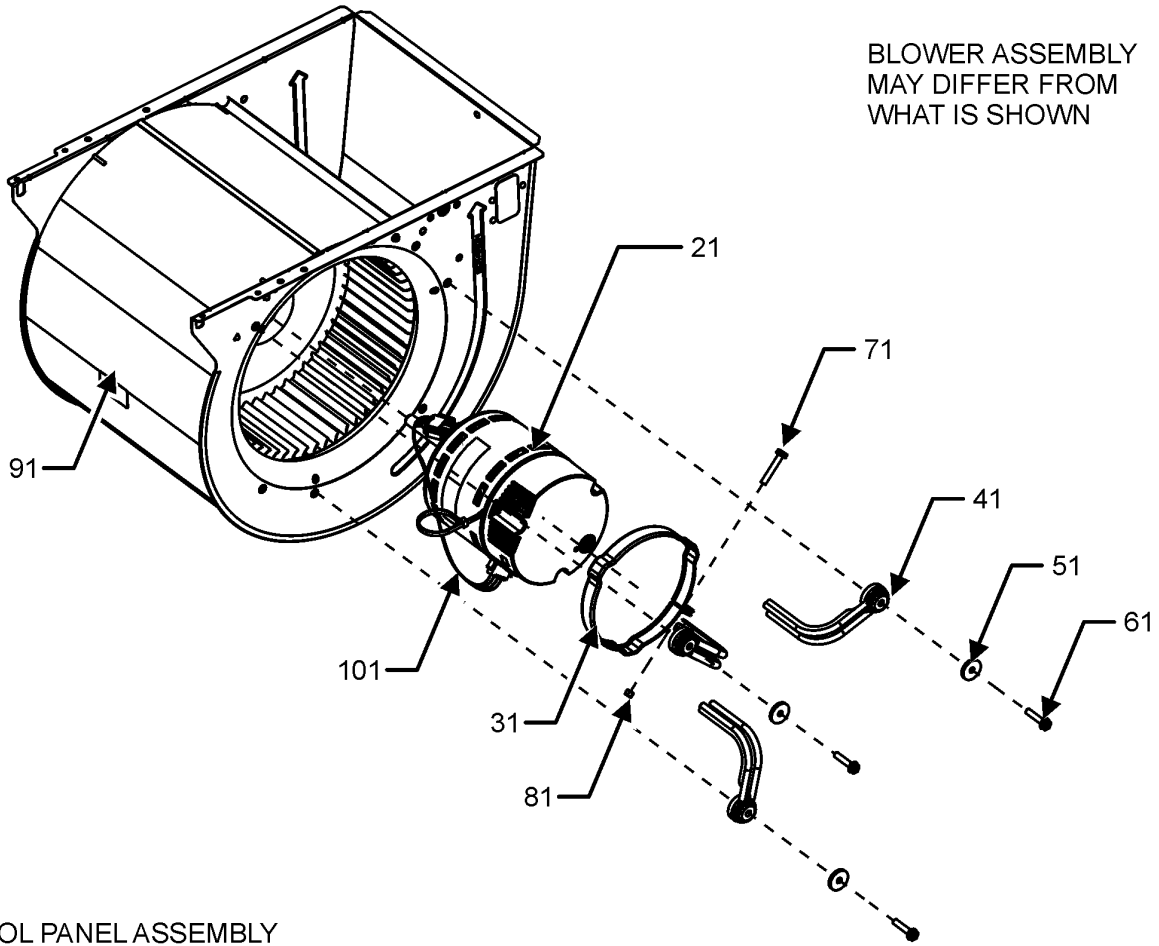
21	0121A01958PDG	PNL, FRONT
31	0121D00985PDG	TOP PLATE, EVAP COIL, PAINTED
41	0121A01126PDG	RAIL, BOTTOM 21",PAINTED
51	5651200PDG	TIE-IN PLATE (QTY 2)
61	B1392019	PLASTIC PLUG, .875 DIA
71	0161A00073	CIRCUIT BREAKER COVER
221	B1392136	VIEW PORT BUSHING, 2"

**Expanded Model Nomenclature**

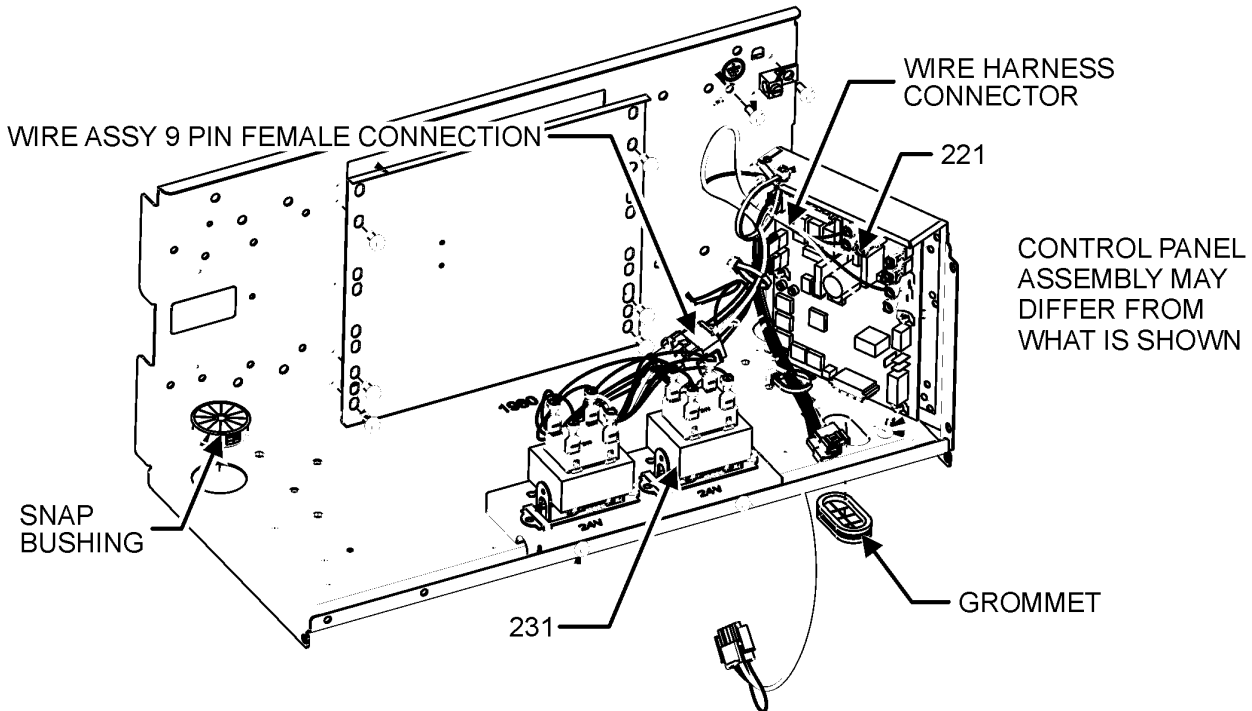
M1 - MBVK16CH0X00AA
M2 - MBVK16CH1X00AA

# BLOWER AND CONTROL PANEL ASSEMBLY

## BLOWER ASSEMBLY



## CONTROL PANEL ASSEMBLY



# BLOWER AND CONTROL PANEL ASSEMBLY

Ref. Part No:	No:	Description:	Ref. Part No:	No:	Description:
---------------	-----	--------------	---------------	-----	--------------

---

## Image 1:

21	0131M01003	MOTOR, 3/4 HP
31	0121M00039	MOTOR MOUNT BAND (HEAVY DUTY)
41	0163A00008	MOTOR MOUNTING ARM (QTY 3)
51	B1392918	WASHER, FLAT 1/4 ID X 1 OD (QTY 3)
61	M0250565	SCREW TC 1.25 (QTY 3)
71	0163M00320	HEX HEAD ALL THREAD TAP BOLT
81	B1393800	LOCKNUT, NYLON, INSERT 1/4, 20
91	0271A00206	BLOWER SHELL ASSY
101	0259M00008	WIRE HARNESS
221	0272A00418	PCB ASSY
231	0130M00138	TRANSFORMER, 208/230, 24V (M2)
231	0130M00139	TRANSFORMER, 40VA,120VTO24V(M1)
NS	SHARED DATA	Av ailble thru CoolCloud HVAC app
NS	0121A00913	BRACKET, TRANSFORMER
NS	0164A00026	GROMMET RUBBER
NS	B1378533	LUG GROUND SMALL 4T
NS	0161A00101	UNIVERSAL SNAP BUSHING
NS	0259A00021	WIRE ASSY 9 PIN FEMALE CONN (M2)
NS	0259A00067	WIRE ASSY, 12 PIN FEMALE CONN
NS	0259A00063	WIRE HARNESS CONNECTOR (M2)
NS	0259A00089	WIRE HARNESS CONNECTOR (M1)

## Expanded Model Nomenclature

M1 - MBVK16CH0X00AA

M2 - MBVK16CH1X00AA