

# REPAIR PARTS

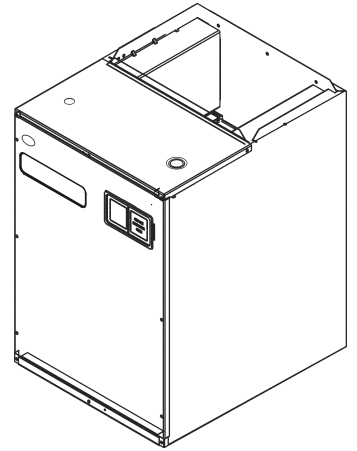
---

## MBVK Modular Blower

MBVK12BP0X00AA

MBVK16CP0X00AA

MBVK20DP0X00AA



This manual is to be used by qualified technicians only.

---

© 2025 Daikin Comfort Technologies Manufacturing, Inc. ♦ 19001 Kermier Rd. ♦ Waller, TX 77484

# Important Information

---

## Index

Functional Parts List .....	3
Illustration and Parts .....	4 - 7

*Views shown are for parts illustrations only, not servicing procedures.*

### Text Codes:

AR - As Required

NA - Not Available

NS - Not Shown

00000000 - See Note

QTY - Quantity Example (QTY 3) (If Quantity not shown, Quantity = 1)

M - Model Example (M1) (If M Code not shown, then part is used on all Models)

### Expanded Model Nomenclature:

Example
M1 - Model#1
M2 - Model#2
M3 - Model#3

Daikin Comfort Technologies Manufacturing , Inc. is not responsible for personal injury or property damage resulting from improper service. Review all service information before beginning repairs.

Warranty service must be performed by an authorized technician, using authorized factory parts. If service is required after the warranty expires, Daikin Comfort Technologies Manufacturing , Inc. also recommends contacting an authorized technician and using authorized factory parts.

Daikin Comfort Technologies Manufacturing , Inc. reserves the right to discontinue, or change at any time, specifications or designs without notice or without incurring obligations.

For assistance within the U.S.A. contact:  
Homeowner Support  
Daikin Comfort Technologies Manufacturing , Inc.  
19001 Kermier Road  
Waller, Texas 77484  
877-254-4729-Telephone  
713-863-2382-Facsimile

For assistance outside the U.S.A. contact:  
International Division  
Daikin Comfort Technologies Manufacturing , Inc.  
19001 Kermier Road  
Waller, Texas 77484  
713-861-2500-Telephone  
713-863-2382-Facsimile

# Functional Parts

## Part

**No:**            **Description:**

---

SHARED DATA    Availble thru CoolCloud HVAC app  
0131M01002       MOTOR, 1/2 HP (M1)  
0131M01003       MOTOR, 3/4 HP (M2, M3)  
PCBJA104          PCB, CONTROL, AIR HANDLER  
0130M00139       TRANSFORMER, 40VA,120VTO24V

### Expanded Model Nomenclature

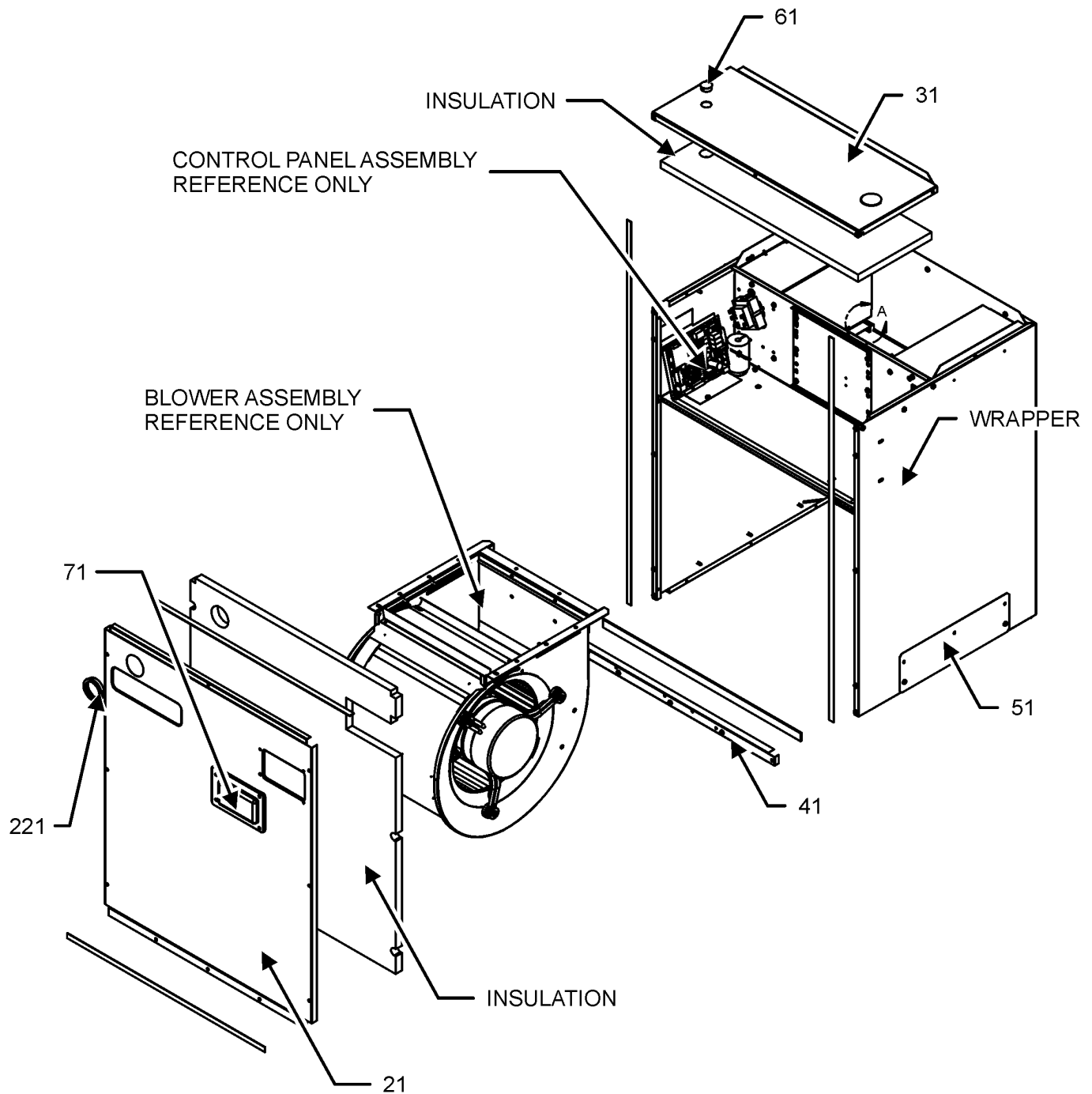
M1 - MBVK12BP0X00AA

M2 - MBVK16CP0X00AA

M3 - MBVK20DP0X00AA

# CHASSIS ASSEMBLY

## CHASSIS ASSEMBLY



CHASSIS ASSEMBLY MAY DIFFER FROM WHAT IS SHOWN

# CHASSIS ASSEMBLY

Ref. Part No:	No:	Description:	Ref. Part No:	No:	Description:
---------------	-----	--------------	---------------	-----	--------------

---

**Image 1:**

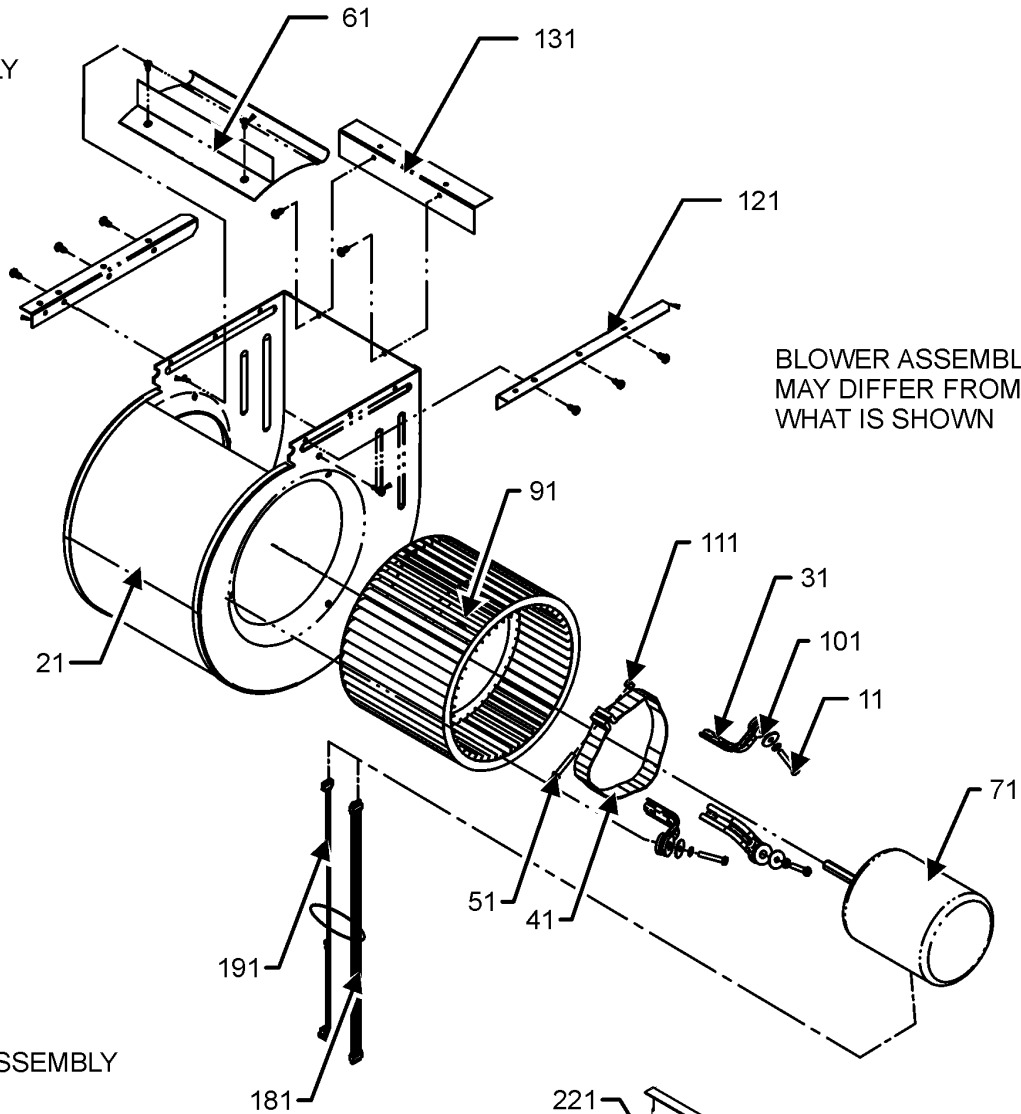
21	0121A01370PDG	FRONT PANEL (M2)
21	0121A01371PDG	FRONT PANEL (M3)
21	0121A01369PDG	FRONT PANEL, PAINTED (M1)
31	0121D00984PDG	TOP PLATE, EVAP COIL, PAINTED (M1)
31	0121D00985PDG	TOP PLATE, EVAP COIL, PAINTED (M2)
31	0121D00986PDG	TOP PLATE, EVAP COIL, PAINTED (M3)
41	0121A01125PDG	RAIL, BOTTOM 17.5", PAINTED (M1)
41	0121A01126PDG	RAIL, BOTTOM 21", PAINTED (M2)
41	0121A01127PDG	RAIL, BOTTOM 24.5", PAINTED (M3)
51	5651200PDG	TIE-IN PLATE (QTY 2)
61	B1392019	PLASTIC PLUG, .875 DIA
71	0161A00073	CIRCUIT BREAKER COVER
221	B1392136	VIEW PORT BUSHING, 2"

**Expanded Model Nomenclature**

M1 - MBVK12BP0X00AA
M2 - MBVK16CP0X00AA
M3 - MBVK20DP0X00AA

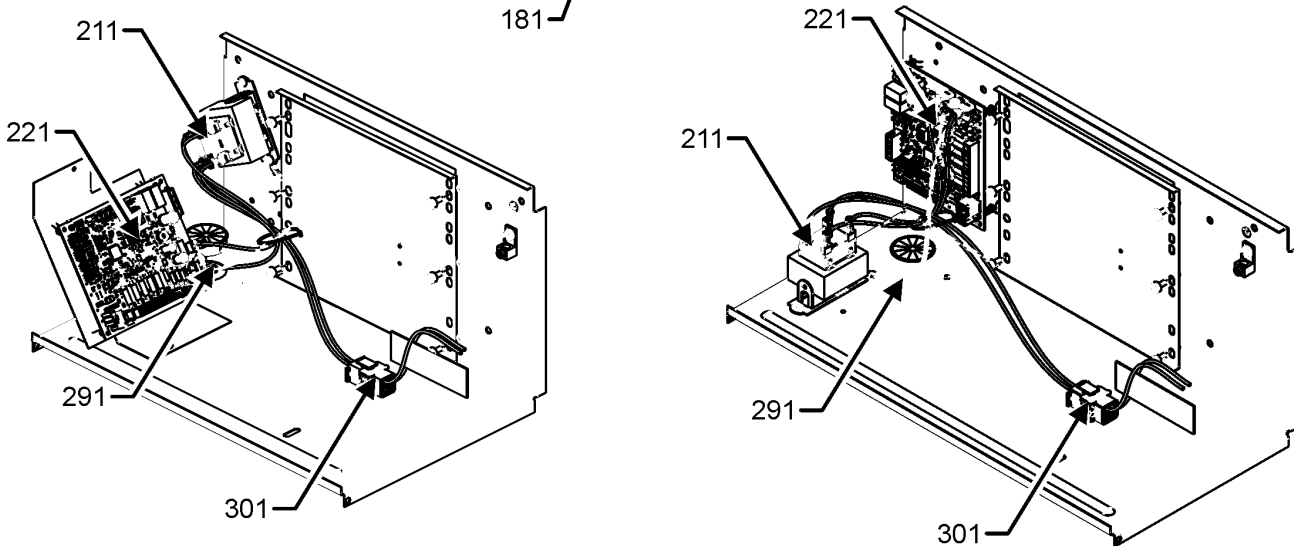
# BLOWER AND CONTROL PANEL ASSEMBLY

BLOWER ASSEMBLY



BLOWER ASSEMBLY  
MAY DIFFER FROM  
WHAT IS SHOWN

CONTROL PANEL ASSEMBLY



CONTROL PANEL  
ASSEMBLY MAY DIFFER  
FROM WHAT IS SHOWN

# BLOWER AND CONTROL PANEL ASSEMBLY

Ref. Part No:	Part No:	Description:	Ref. Part No:	Part No:	Description:
<b>Image 1:</b>					
11	B1393322	SCREW, MACHINE HWH 1/4-20X1 1/2 BZ (QTY 3)			
21	5660205	BLOWER HOUSING ASSY 10 X 8 (M1, M2)			
21	5660207	BLOWER SHELL ASSEMBLY (M3)			
31	0171M00012	MOTOR MOUNT ARM (M1, M2)			
31	0163A00008	MOTOR MOUNTING ARM (M3)			
41	0121M00038	MOTOR MOUNT BAND (M1, M2)			
41	0121M00039	MOTOR MOUNT BAND (HEAVY DUTY) (M3)			
51	B1393323	SCREW, MACH HWH 1/4-20X1 1/2 BZ			
61	5651400	ASM, BLOWER CUTOFF (M3)			
61	5647002	BLOWER CUT-OFF (M1, M2)			
71	0131M01002	MOTOR, 1/2 HP (M1)			
71	0131M01003	MOTOR, 3/4 HP (M2, M3)			
91	0150M00058	WHEEL, BLOWER (M1, M2)			
91	0150M00062	WHEEL, BLOWER (M3)			
101	B1392918	WASHER FLAT (QTY 3)			
111	B1393800	LOCKNUT, NYLON, INSERT 1/4, 20			
121	5601806	BLOWER RAIL (M1)			
121	5601807	BLOWER RAIL (M2, M3)			
131	1717111	BLOWER MOUNTING ANGLE (M2)			
131	1717112	BLOWER MOUNTING ANGLE (M3)			
131	1717113	BLOWER MOUNTING ANGLE (M1)			
181	0259A20003	WIRE HARNESS ASSY			
191	0259A00030	WIRE HARNESS			
211	0130M00139	TRANSFORMER, 40VA, 120VTO24V			
221	PCBJA104	PCB, CONTROL, AIR HANDLER			
291	0259A20002	WIRE HARNESS ASSY			
301	0259A20005	WIRE HARNESS ASSY			
NS	0130D00008	9-PIN CONNECTOR			
NS	SHARED DATA	Av ailble thru CoolCloud HVAC app			
NS	0163A00049	HARDWARE LITERATURE SUBKIT			
NS	0161A00101	UNIVERSAL SNAP BUSHING			
NS	B1392104	UNIVERSL BUSING UB 875			
NS	B1392820	WASHER, SPLIT LOCK 1/4 BZ (QTY 3)			

## Expanded Model Nomenclature

M1 - MBVK12BP0X00AA

M2 - MBVK16CP0X00AA

M3 - MBVK20DP0X00AA