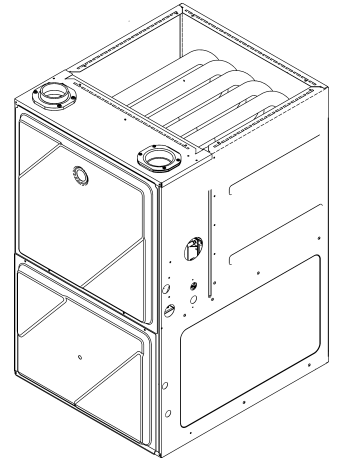


AR9S92 Up Flow Furnace

AR9S920403ANAA
AR9S920603BNAA
AR9S920803BNAA
AR9S920804CNAA
AR9S920805CNAA
AR9S921004CNAA
AR9S921005CNAA
AR9S921205DNAA



Amana® is a registered trademark of Maytag Corporation or its related companies and is used under license. All rights reserved.

This manual is to be used by qualified technicians only.

Important Information

Index

Functional Parts List	3
Illustration and Parts	4 - 11

Views shown are for parts illustrations only, not servicing procedures.

Text Codes:

AR - As Required

NA - Not Available

NS - Not Shown

00000000 - See Note

QTY - Quantity Example (QTY 3) (If Quantity not shown, Quantity = 1)

M - Model Example (M1) (If M Code not shown, then part is used on all Models)

Expanded Model Nomenclature:

Example M1 - Model#1 M2 - Model#2 M3 - Model#3

Goodman Company, L.P. is not responsible for personal injury or property damage resulting from improper service. Review all service information before beginning repairs.

Warranty service must be performed by an authorized technician, using authorized factory parts. If service is required after the warranty expires, Goodman Company, L.P. also recommends contacting an authorized technician and using authorized factory parts.

Goodman Company, L.P. reserves the right to discontinue, or change at any time, specifications or designs without notice or without incurring obligations.

For assistance within the U.S.A. contact:

Homeowner Support
Goodman Company, L.P.
19001 Kermier Road
Waller, Texas 77484
877-254-4729-Telephone
713-863-2382-Facsimile

For assistance outside the U.S.A. contact:

International Division
Goodman Company, L.P.
19001 Kermier Road
Waller, Texas 77484
713-861-2500-Telephone
713-863-2382-Facsimile

Functional Parts

Part No: **Description:**

0163F00017	BECKETT BURNER (QTY 2)
0271F00463	BLOWER HOUSING ASSY (M4, M6)
0271F00462	BLOWER HOUSING ASSY (M2, M3)
0271F00323	BLOWER HSG ASSY (M1)
PCBBF301V007	CIRCUIT BOARD, FURNACE
0130F00010	FLAME SENSOR
0151M00105	GAS VALVE
0257F20106	HEAT EXCHANGER ASSY (M3)
0257F20105	HEAT EXCHANGER ASSY (M2)
0257F20104	HEAT EXCHANGER ASSY (M1)
0257F20108	HEAT EXCHANGER ASSY (M6, M7)
0257F20107	HEAT EXCHANGER ASSY (M4, M5)
0257F20109	HEAT EXCHANGER ASSY (M8)
0130F00008	IGNITOR-SINI 17 SEC
20162903	LIMIT, PRIMARY (M1, M5, M6)
20162906	LIMIT, PRIMARY (M3)
20162907	LIMIT, PRIMARY (M7)
20162904	LIMIT, PRIMARY (M8)
0130F00038	LIMIT, PRIMARY, 120, LT BLUE (QTY 2)
0130F00036	LIMIT, PRIMARY, 180, PINK (M2, M4)
0130F00123	LIMIT, RESET MAN (M2)
10123538	LIMIT-MAN-TAN (M1)
10123529	LIMIT-RESET MAN-GREEN (M8)
10123539	LIMIT-RESET MAN-ORANGE (M3, M5, M6, M7)
10123534	LIMIT-RESET MAN-ORANGE (M4)
0131F00334M	MOTOR 1 HP W/O CONTROLLER (M5, M7, M8)
0131F00332M	MOTOR 1/2 HP W/O CONTROLLER (M1, M2, M3)
0131F00333M	MOTOR 3/4 HP W/O CONTROLLER (M4, M6)
0171M00008	MOTOR, ID BLOWER (M1)
0131F00261	MOTOR, PROGRAM (M1)
0131F00268	MOTOR, PROGRAM (M8)
0131F00267	MOTOR, PROGRAM (M7)
0131F00266	MOTOR, PROGRAM (M6)
0131F00265	MOTOR, PROGRAM (M5)
0131F00264	MOTOR, PROGRAM (M4)
0131F00263	MOTOR, PROGRAM (M3)
0131F00262	MOTOR, PROGRAM (M2)
0171M00001	MOTOR-ID, BLOWER (M2, M3, M4, M5, M6, M7, M8)
0130F00641	PRESSURE SWITCH (M1)
0130F00442	SWITCH, PRESSURE (M2, M4, M5, M8)
0130F00441	SWITCH, PRESSURE (M3, M6, M7)
10690402	SWITCH-INTERLOCK
0130M00140	TRANSFORMER 120V TO 24V, 40VA
0150M00042	WHEEL, BLOWER (10 X 10) (M4, M6)
0150M00043	WHEEL, BLOWER (10 X 8) (M2, M3)
0150M00061	WHEEL,BLOWER (M1)

Expanded Model Nomenclature

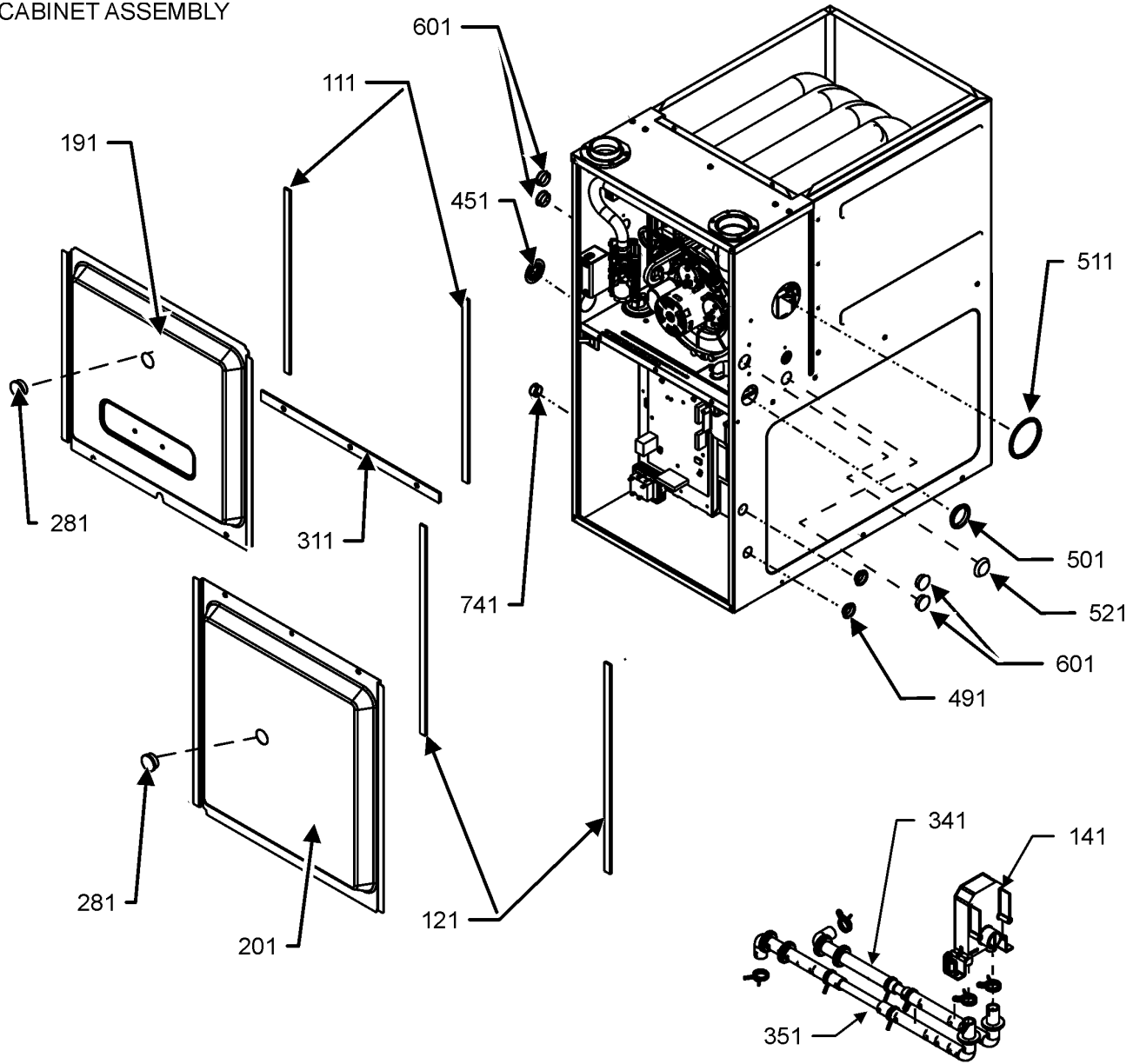
M1 - AR9S920403ANAA
M2 - AR9S920603BNAA
M3 - AR9S920803BNAA
M4 - AR9S920804CNAA
M5 - AR9S920805CNAA
M6 - AR9S921004CNAA
M7 - AR9S921005CNAA
M8 - AR9S921205DNAA

SPECIAL PARTS

0161M00032	NAMEPLATE, AMANA
------------	------------------

Cabinet Assembly

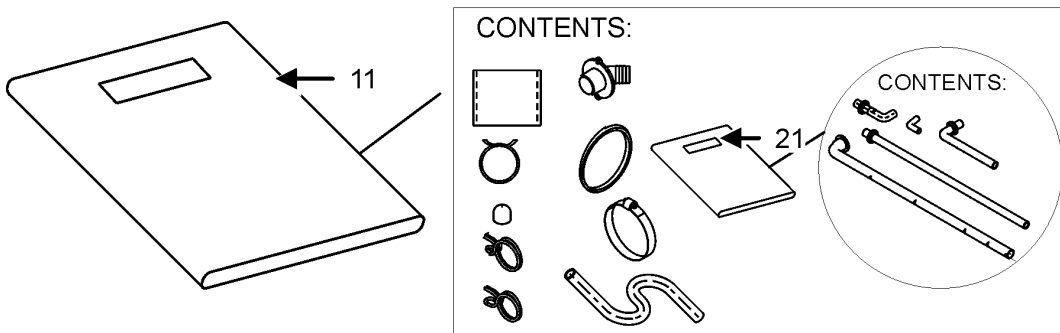
CABINET ASSEMBLY



CABINET ASSEMBLY MAY DIFFER FROM WHAT IS SHOWN

DRAIN TRAP ASSEMBLY

DRAIN KIT ASSEMBLY



Cabinet Assembly

Ref. Part No:	Part No:	Description:	Ref. Part No:	Part No:	Description:
---------------	----------	--------------	---------------	----------	--------------

Image 1:

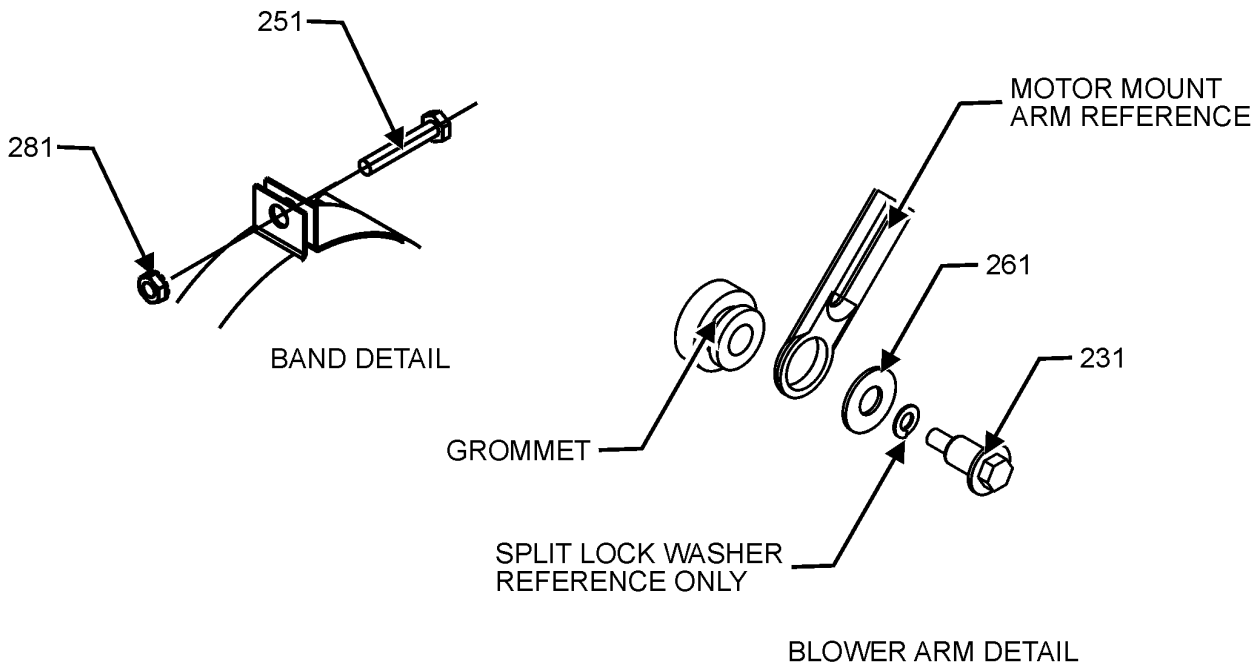
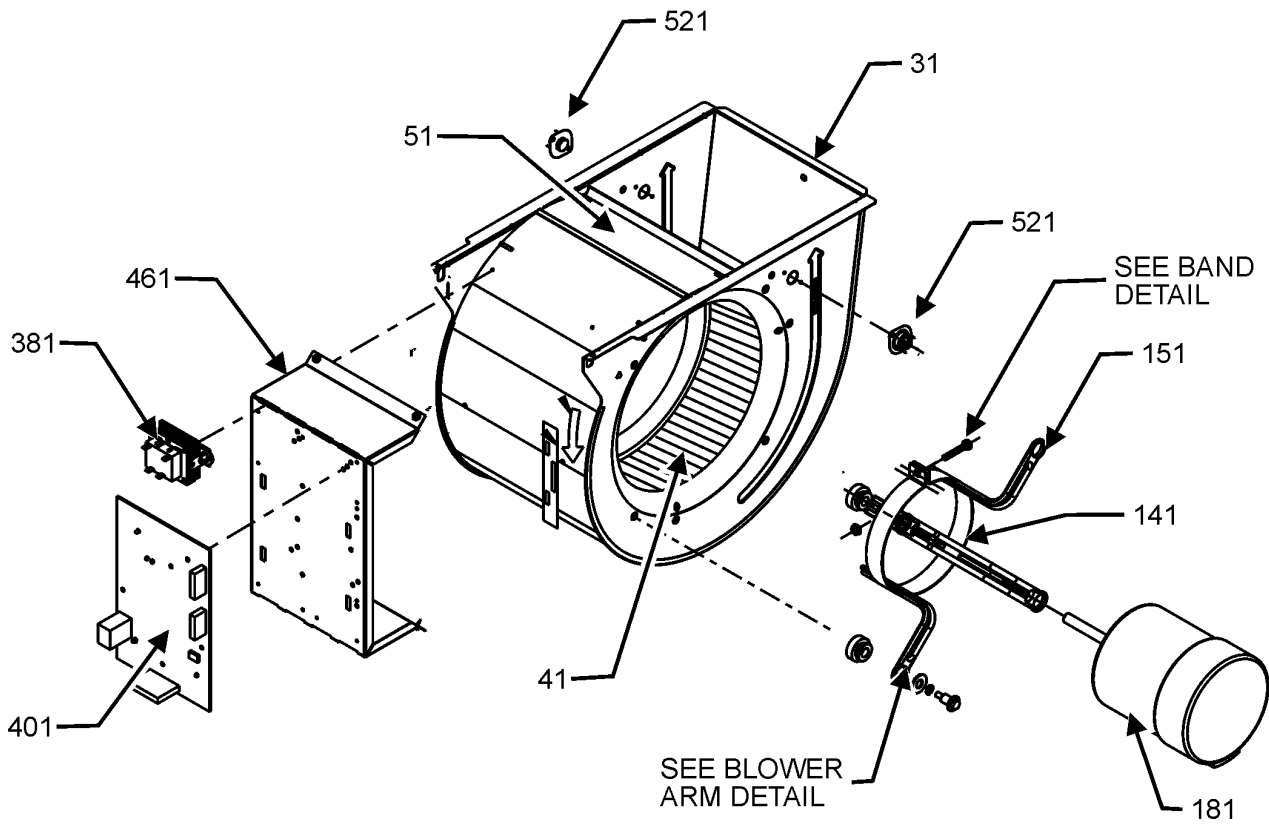
11	0270F05402	DRAIN KIT ASSY
21	0270F05402	DRAIN KIT ASSY
111	0154F00024	GASKET (QTY 2)
121	0154F00025	GASKET (QTY 2)
141	0161F00046	DRAIN TRAP
191	0121F00338LG	DOOR ACCESS 21" PNT (M4, M5, M6, M7)
191	0121F00337LG	DOOR, ACCESS 17.5" PNT (M2, M3)
191	0121F00339LG	DOOR, ACCESS 24.5" PNT (M8)
191	0121F00673LG	PNT, DOOR, ACCESS 14" (M1)
201	0121F00340LG	DOOR, BLOWER 17.5" PNT (M2, M3)
201	0121F00341LG	DOOR, BLOWER 21" PNT (M4, M5, M6, M7)
201	0121F00342LG	DOOR, BLOWER 24.5" PNT (M8)
201	0121F00671LG	PNT,DOOR, BLOWER 14" (M1)
281	B1392139	VIEW PORT BUSHING-BLOWER DOOR (M2, M3, M4, M5, M6, M7, M8)
311	0154F00020	GASKET, DECK (M2, M3)
311	0154F00021	GASKET, DECK (M4, M5, M6, M7)
311	0154F00022	GASKET, DECK (M8)
311	0154F00063	GASKET, DECK (M1)
341	0164F00017	HOSE-ELBOW/TRAP
351	0164F00020	DRAIN HOSE (M1)
351	0164F00006	HOSE, COVER/TRAP (M8)
351	0164F00024	HOSE, COVER/TRAP (M2, M3, M4, M5, M6, M7)
451	M0501301	PIPE GROMMET
491	M0570808	BUTTON PLUG (QTY 3)
501	M0570806	BUTTON PLUG
511	M0570807	BUTTON PLUG
521	0161M00027	PLUG, HOLE (M1, M2, M3, M6, M7)
601	B1392021	PLASTIC PLUG, 1" (2713-BLK) (QTY 4)
741	B1392104	UNIVERSAL BUSHING UB 875
NS	M0310345	BUTTON PLUG (QTY 2)
NS	0154F00065	GASKET (M1)
NS	20179307	GASKET (M8)
NS	20179309	GASKET (M2, M3)
NS	20179310	GASKET (M4, M5, M6, M7)
NS	0163M00319	HEX NUT-INSERT (QTY 3)
NS	0161M00032	NAMEPLATE, AMANA
NS	M0273904	RETAINER-SCREW (QTY 3)
NS	M0209730	SCREW-DECORATIVE (QTY 3)

Expanded Model Nomenclature

- | |
|---------------------|
| M1 - AR9S920403ANAA |
| M2 - AR9S920603BNAA |
| M3 - AR9S920803BNAA |
| M4 - AR9S920804CNAA |
| M5 - AR9S920805CNAA |
| M6 - AR9S921004CNAA |
| M7 - AR9S921005CNAA |
| M8 - AR9S921205DNAA |

Blower Assembly

BLOWER ASSEMBLY



BLOWER ASSEMBLY MAY DIFFER FROM WHAT IS SHOWN

Blower Assembly

Ref. Part No:	Part No:	Description:	Ref. Part No:	Part No:	Description:
---------------	----------	--------------	---------------	----------	--------------

Image 1:

31	0271F00462	BLOWER HOUSING ASSY (M2, M3)
31	0271F00463	BLOWER HOUSING ASSY (M4, M6)
31	0271F00323	BLOWER HSG ASSY (M1)
31	0271F00507	MORRISON 11 X 10 BLOWER (M5, M7)
31	0271F00508	MORRISON 11 X 11 BLOWER (M8)
41	0150M00042	WHEEL, BLOWER (10 X 10) (M4, M6)
41	0150M00043	WHEEL, BLOWER (10 X 8) (M2, M3)
41	0150M00061	WHEEL,BLOWER (M1)
51	764741	BLWR BLK-OFF,10X10 (M4, M6)
51	764739	BLWR BLK-OFF,10X6 (M1)
51	764740	BLWR BLK-OFF,10X8 (M2, M3)
141	0121M00039	MOUNT BAND, MOTOR (HEAVY DUTY)
151	0163M00538	MOUNT ARM, MOTOR (QTY 3)
181	0131F00334M	MOTOR 1 HP W/O CONTROLLER (M5, M7, M8)
181	0131F00332M	MOTOR 1/2 HP W/O CONTROLLER (M1, M2, M3)
181	0131F00333M	MOTOR 3/4 HP W/O CONTROLLER (M4, M6)
181	0131F00261	MOTOR, PROGRAM (M1)
181	0131F00262	MOTOR, PROGRAM (M2)
181	0131F00263	MOTOR, PROGRAM (M3)
181	0131F00264	MOTOR, PROGRAM (M4)
181	0131F00265	MOTOR, PROGRAM (M5)
181	0131F00266	MOTOR, PROGRAM (M6)
181	0131F00267	MOTOR, PROGRAM (M7)
181	0131F00268	MOTOR, PROGRAM (M8)
231	M0250565	TC SCREW 1.25" (QTY 3)
251	0163M00320	HEX HEAD ALL THREAD TAP BOLT
261	B1392918	WASHER, FLAT 1/4 ID X 1 OD (QTY 3)
281	B1393800	LOCKNUT, NYLON, INSERT 1/4, 20
381	0130M00140	TRANSFORMER 120V TO 24V, 40VA
401	PCBBF301V007	CIRCUIT BOARD, FURNACE
461	0121F00802	MOUNTING PANEL, CONTROLS
521	0130F00038	LIMIT, PRIMARY, 120, LT BLUE (QTY 2)
NS	0159F00160	CTM, MOTOR HARNESS
NS	M0282015	KEPS NUT (M5, M7, M8)
NS	B1392021	PLASTIC PLUG, 1" (2713-BLK) (QTY 4)
NS	0163M00279	SCREW #6 X .375 SELF DRILL (M5, M7, M8)
NS	B1392820	WASHER, SPLIT LOCK 1/4 BZ (M5, M7, M8)
NS	0259F00024	WIRE HARNESS-BLOWER

Expanded Model Nomenclature

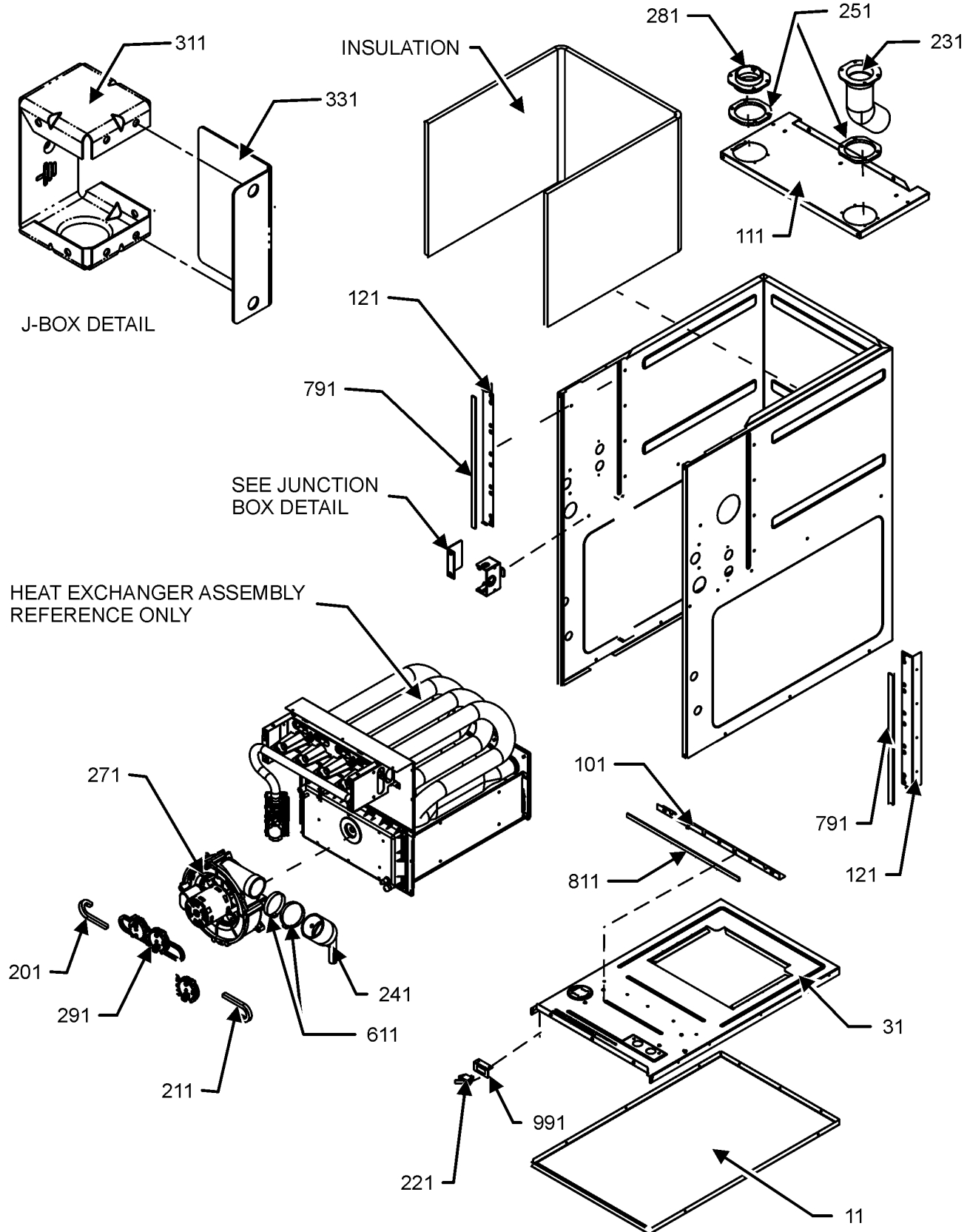
- | |
|---------------------|
| M1 - AR9S920403ANAA |
| M2 - AR9S920603BNAA |
| M3 - AR9S920803BNAA |
| M4 - AR9S920804CNAA |
| M5 - AR9S920805CNAA |
| M6 - AR9S921004CNAA |
| M7 - AR9S921005CNAA |
| M8 - AR9S921205DNAA |

To replace the Shaft end of motor order:

0131F00332M	MOTOR 1/2 HP W/O CONTROLLER
0131F00333M	MOTOR 3/4 HP W/O CONTROLLER
0131F00334M	MOTOR 1 HP W/O CONTROLLER

Chassis Assembly

CHASSIS ASSEMBLY



CHASSIS ASSEMBLY MAY DIFFER FROM WHAT IS SHOWN

Chassis Assembly

**Ref. Part
No: No:**

Description:

**Ref. Part
No: No:**

Description:

Image 1:

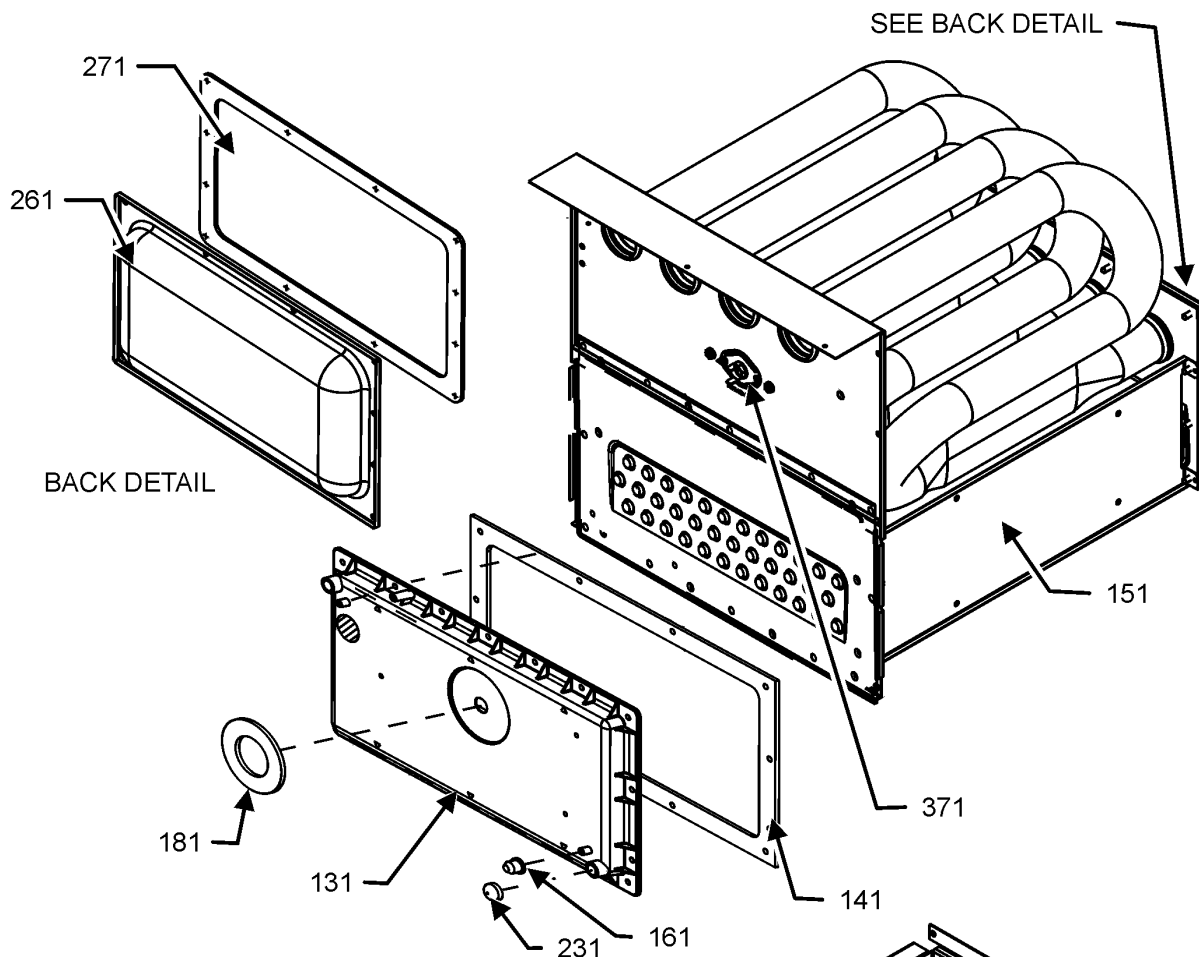
11	0121F00530DG	BASEPAN, 17.5 (M2, M3)
11	0121F00531DG	BASEPAN, 21 PNT (M4, M5, M6, M7)
11	0121F00532DG	BASEPAN, 24.5 PNT (M8)
11	0121F00664DG	BASEPAN, 14 PNT (M1)
31	0121F00766	DECK- BLOWER 17.5" (M2, M3)
31	0121F00767	DECK- BLOWER 21" (M4, M5, M6, M7)
31	0121F00768	DECK- BLOWER 24.5" (M8)
31	0121F00663	DECK, BLOWER 14" (M1)
101	0121F00314	ANGLE, DECK (M2, M3)
101	0121F00315	ANGLE, DECK (M4, M5, M6, M7)
101	0121F00316	ANGLE, DECK (M8)
101	0121F00661	ANGLE, DECK (M1)
111	0121F00279DG	PAINTED TOP, FURNACE 17.5 (M2, M3)
111	0121F00280DG	PAINTED TOP, FURNACE 21 (M4, M5, M6, M7)
111	0121F00281DG	PAINTED TOP, FURNACE 24.5 (M8)
111	0121F00662DG	PNT, FURNACE TOP 14" (M1)
121	0121F00313	ANGLE, SIDE (QTY 2)
201	0164M00118	HOSE- PRESSURE SW 10" (M1)
201	0164M00117	HOSE- PRESSURE SW 8" (M2, M3, M4, M5, M6, M7, M8)
211	0164M00119	HOSE- PRESSURE SW 12"
221	10690402	SWITCH-INTERLOCK
231	0164F00002	FLUE PIPE W/BEND
241	0164F00025	ELBOW-FLUE,UPFLOW
251	0154F00041	FRESH AIR GASKET
271	0171M00008	MOTOR, ID BLOWER (M1)
271	0171M00001	MOTOR-ID, BLOWER (M2, M3, M4, M5, M6, M7, M8)
281	0161F00037	COUPLING
291	0130F00641	PRESSURE SWITCH (M1)
291	0130F00441	SWITCH, PRESSURE (M3, M6, M7)
291	0130F00442	SWITCH, PRESSURE (M2, M4, M5, M8)
311	0121F20060	BOX, JUNCTION 90%
331	0121F20061	BOX, JUNCTION 80%
611	0163M00460	CLAMP-HOSE (QTY 2)
791	0154F00015	GASKET (QTY 2)
811	0154F00014	GASKET (M2, M3)
811	0154F00016	GASKET (M4, M5, M6, M7)
811	0154F00064	GASKET (M1)
811	20194607	GASKET (M8)
991	0121F00389	BRACKET, DOOR SWITCH
NS	0160F00025	INSULATION, HT EXCHANGER (M1)
NS	0160F00015	INSULATION, HT EXCHANGER 17.5" (M2, M3)
NS	0160F00016	INSULATION, HT EXCHANGER 21" (M4, M5, M6, M7)
NS	0160F00017	INSULATION, HT EXCHANGER 24.5" (M8)
NS	M0326804	PLUG-TUBE
NS	0159F20009	WIRE HARNESS (M1)
NS	0159F20011	WIRE HARNESS (M2, M3, M4, M5, M6, M7, M8)

Expanded Model Nomenclature

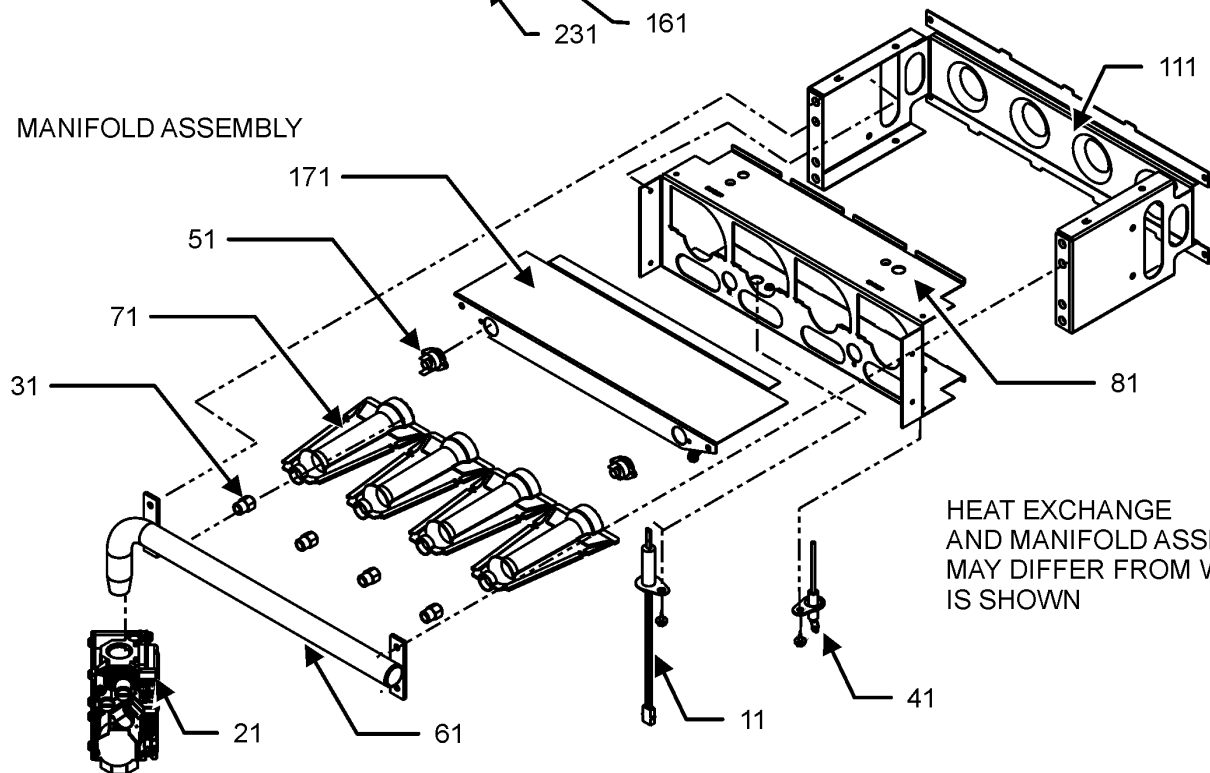
M1 - AR9S920403ANAA
M2 - AR9S920603BNAA
M3 - AR9S920803BNAA
M4 - AR9S920804CNAA
M5 - AR9S920805CNAA
M6 - AR9S921004CNAA
M7 - AR9S921005CNAA
M8 - AR9S921205DNAA

Heat Exchange and Manifold Assembly

HEAT EXCHANGE ASSEMBLY



MANIFOLD ASSEMBLY



Heat Exchange and Manifold Assembly

Ref. Part No:	Description:	Ref. Part No:	Description:
Image 1:		Image 1:	
11	0130F00008	271	0154F00039
	IGNITOR-SINI 17 SEC		GASKET, REAR CVR (M8)
21	0151M00105	371	20162903
	GAS VALVE		LIMIT, PRIMARY (M1, M5, M6)
31	10716005	371	20162904
	ORIFICE (QTY 2)		LIMIT, PRIMARY (M8)
41	0130F00010	371	20162906
	FLAME SENSOR		LIMIT, PRIMARY (M3)
51	0130F00123	371	20162907
	LIMIT, RESET MAN (M2)		LIMIT, PRIMARY (M7)
51	10123538	371	0130F00036
	LIMIT-MAN-TAN (M1)		LIMIT, PRIMARY, 180, PINK (M2, M4)
51	10123529	NS	0121F00582
	LIMIT-RESET MAN-GREEN (M8)		INSULATION, RETAINER (M1)
51	10123534	NS	0121F00583
	LIMIT-RESET MAN-ORANGE (M4)		INSULATION, RETAINER (M2, M3)
51	10123539	NS	0121F00584
	LIMIT-RESET MAN-ORANGE (M3, M5, M6, M7)		INSULATION, RETAINER (M4, M5, M6, M7)
61	0163F00007	NS	0121F00585
	MANIFOLD (M1)		INSULATION, RETAINER (M8)
61	0163F00008	NS	0121F00439
	MANIFOLD (M2)		PRIMARY LIMIT-HEAT SHIELD
61	0163F00009	NS	0121F00355
	MANIFOLD (M4, M5)		SHIELD, COIL (QTY 2)
61	0163F00010	Expanded Model Nomenclature	
	MANIFOLD (M6, M7)	<div style="border: 1px solid black; padding: 5px;"> M1 - AR9S920403ANAA M2 - AR9S920603BNAA M3 - AR9S920803BNAA M4 - AR9S920804CNAA M5 - AR9S920805CNAA M6 - AR9S921004CNAA M7 - AR9S921005CNAA M8 - AR9S921205DNAA </div>	
61	0163F00011		
	MANIFOLD (M8)		
61	0163F00014		
	MANIFOLD (M3)		
71	0163F00017		
	BECKETT BURNER (QTY 2)		
81	0121F00456		
	BRACKET-BURNER 2 (M1)		
81	0121F00455		
	BRACKET-BURNER 3 (M2)		
81	0121F00454		
	BRACKET-BURNER 4 (M3, M4, M5)		
81	0121F00453		
	BRACKET-BURNER 5 (M6, M7)		
81	0121F00451		
	BRACKET-BURNER 6 (M8)		
111	0121F00469		
	ORIFICE BRACKET-BURNER 2 (M1)		
111	0121F00468		
	ORIFICE BRACKET-BURNER 3 (M2)		
111	0121F00467		
	ORIFICE BRACKET-BURNER 4 (M3, M4, M5)		
111	0121F00466		
	ORIFICE BRACKET-BURNER 5 (M6, M7)		
111	0121F00465		
	ORIFICE BRACKET-BURNER 6 (M8)		
131	0161F00016		
	COVER, FRONT (M3)		
131	0161F00018		
	COVER, FRONT (M4, M5)		
131	0161F00027		
	COVER, FRONT (M6, M7)		
131	0161F00028		
	COVER, FRONT (M8)		
131	0161F00031		
	COVER, FRONT (M2)		
131	0161F00076		
	COVER, FRONT (M1)		
141	0154F00026		
	GASKET FRONT COVER (M2, M3)		
141	0154F00030		
	GASKET FRONT COVER (M4, M5, M6, M7)		
141	0154F00034		
	GASKET FRONT COVER (M8)		
141	0154F00062		
	GASKET FRONT COVER (M1)		
151	0257F20104		
	HEAT EXCHANGER ASSY (M1)		
151	0257F20105		
	HEAT EXCHANGER ASSY (M2)		
151	0257F20106		
	HEAT EXCHANGER ASSY (M3)		
151	0257F20107		
	HEAT EXCHANGER ASSY (M4, M5)		
151	0257F20108		
	HEAT EXCHANGER ASSY (M6, M7)		
151	0257F20109		
	HEAT EXCHANGER ASSY (M8)		
161	M0326804		
	TUBE PLUG		
171	0121F00540		
	SHEILD, BURNER (M2)		
171	0121F00541		
	SHEILD, BURNER (M3, M4, M5)		
171	0121F00542		
	SHEILD, BURNER (M6, M7)		
171	0121F00543		
	SHEILD, BURNER (M8)		
171	0121F00755		
	SHIELD, BURNER (M1)		
181	0154F00043		
	GASKET ID BLOWER		
231	A1781105		
	CAP-VINYL .500		
261	0121F00317		
	COVER, REAR (M2, M3)		
261	0121F00318		
	COVER, REAR (M4, M5, M6, M7)		
261	0121F00319		
	COVER, REAR (M8)		
261	0121F00670		
	COVER, REAR (M1)		
271	0154F00058		
	GASKET REAR CVR (M1)		
271	0154F00037		
	GASKET, REAR CVR (M2, M3)		
271	0154F00038		
	GASKET, REAR CVR (M4, M5, M6, M7)		