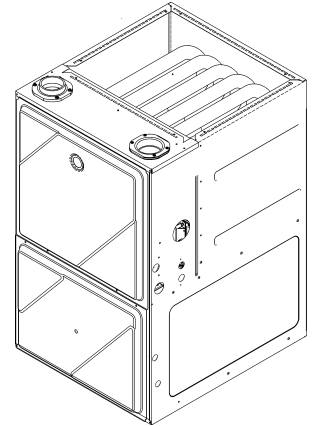


AR9S96 Up Flow Furnace

AR9S960403ANAA
AR9S960603BNAA
AR9S960803BNAA
AR9S960804CNAA
AR9S960805CNAA
AR9S961005CNAA
AR9S961205DNAA



Amana[®] is a registered trademark of Maytag Corporation or its related companies and is used under license. All rights reserved.

This manual is to be used by qualified technicians only.

Important Information

Index

Functional Parts List	3
Illustration and Parts	4 - 11

Views shown are for parts illustrations only, not servicing procedures.

Text Codes:

AR - As Required

NA - Not Available

NS - Not Shown

00000000 - See Note

QTY - Quantity Example (QTY 3) (If Quantity not shown, Quantity = 1)

M - Model Example (M1) (If M Code not shown, then part is used on all Models)

Expanded Model Nomenclature:

Example M1 - Model#1 M2 - Model#2 M3 - Model#3

Goodman Company, L.P. is not responsible for personal injury or property damage resulting from improper service. Review all service information before beginning repairs.

Warranty service must be performed by an authorized technician, using authorized factory parts. If service is required after the warranty expires, Goodman Company, L.P. also recommends contacting an authorized technician and using authorized factory parts.

Goodman Company, L.P. reserves the right to discontinue, or change at any time, specifications or designs without notice or without incurring obligations.

For assistance within the U.S.A. contact:

Homeowner Support
Goodman Company, L.P.
19001 Kermier Road
Waller, Texas 77484
877-254-4729-Telephone
713-863-2382-Facsimile

For assistance outside the U.S.A. contact:

International Division
Goodman Company, L.P.
19001 Kermier Road
Waller, Texas 77484
713-861-2500-Telephone
713-863-2382-Facsimile

Functional Parts

Part No: **Description:**

0163F00017	BECKETT BURNER (QTY 2)
0271F00607	BLOWER SHELL & WHEEL ASSY (M1)
PCBBF301V007	CIRCUIT BOARD, FURNACE
0130F00010	FLAME SENSOR
0151M00105	GAS VALVE
0257F20111	HEAT EXCHANGER ASSY (M7)
0257F20110	HEAT EXCHANGER ASSY (M1)
0257F20101	HEAT EXCHANGER ASSY (M3)
0257F20090	HEAT EXCHANGER ASSY (M6)
0257F20089	HEAT EXCHANGER ASSY (M4, M5)
0257F20087	HEAT EXCHANGER ASSY (M2)
0130F00008	IGNITOR-SINI 17 SEC
20162903	LIMIT, PRIMARY (M1, M2, M4, M5)
20162904	LIMIT, PRIMARY (M3, M6, M7)
0130F00038	LIMIT, PRIMARY, 120, LT BLUE (QTY 2)
0130F00123	LIMIT, RESET MAN (M5)
10123538	LIMIT-MAN-TAN (M1, M3, M6)
10123539	LIMIT-RESET MAN-ORANGE (M2, M4)
10123528	LIMIT-RESET MAN-RED (M7)
0271F00507	MORRISON 11 X 10 BLOWER (M4, M5, M6)
0271F00506	MORRISON 11 X 8 BLOWER (M2, M3)
0131F00334M	MOTOR 1 HP W/O CONTROLLER (M5, M6, M7)
0131F00332M	MOTOR 1/2 HP W/O CONTROLLER (M1, M2, M3)
0131F00333M	MOTOR 3/4 HP W/O CONTROLLER (M4)
0131F00270	MOTOR PROGRAMMED (M2)
0131F00269	MOTOR PROGRAMMED (M1)
0131F00325	MOTOR PROGRAMMED (M7)
0131F00274	MOTOR PROGRAMMED (M5)
0131F00273	MOTOR PROGRAMMED (M6)
0131F00272	MOTOR PROGRAMMED (M4)
0131F00271	MOTOR PROGRAMMED (M3)
0171M00008	MOTOR, ID BLOWER (M1)
0171M00001	MOTOR-ID, BLOWER (M2, M3, M4, M5, M6, M7)
0130F00642	PRESSURE SWITCH (M1)
0130F00439	SWITCH, PRESSURE (M3, M4, M5, M6)
0130F00442	SWITCH, PRESSURE (M2)
0130F00438	SWITCH, PRESSURE (M7)
10690402	SWITCH-INTERLOCK
0130M00140	TRANSFORMER 120V TO 24V, 40VA

Expanded Model Nomenclature

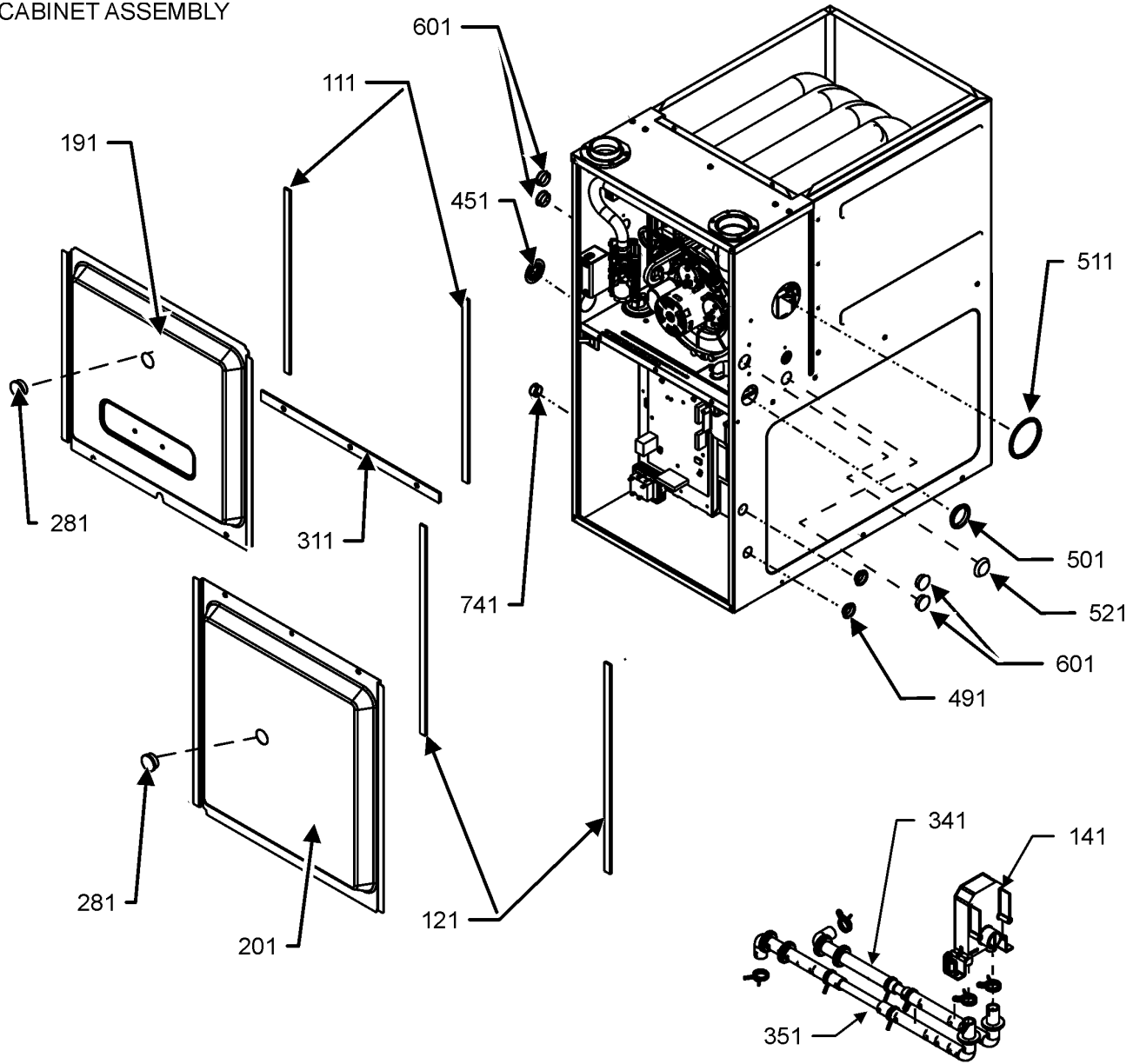
M1 - AR9S960403ANAA
M2 - AR9S960603BNAA
M3 - AR9S960803BNAA
M4 - AR9S960804CNAA
M5 - AR9S960805CNAA
M6 - AR9S961005CNAA
M7 - AR9S961205DNAA

SPECIAL PARTS

0161M00032	NAMEPLATE, AMANA
------------	------------------

Cabinet Assembly

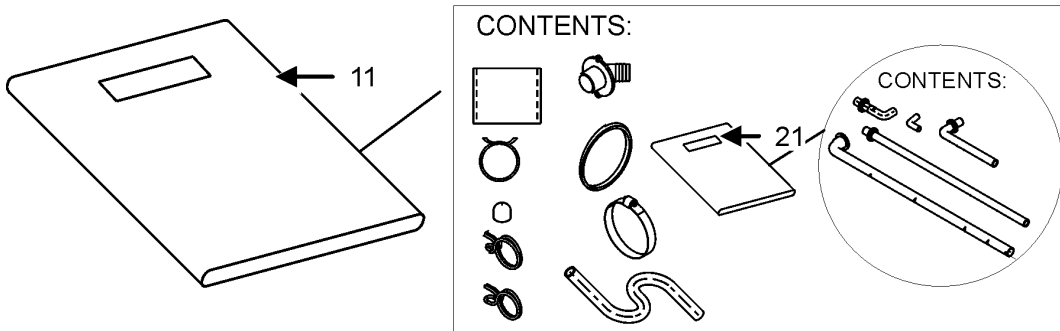
CABINET ASSEMBLY



CABINET ASSEMBLY MAY DIFFER FROM WHAT IS SHOWN

DRAIN TRAP ASSEMBLY

DRAIN KIT ASSEMBLY



Cabinet Assembly

Ref. Part No:	Part No:	Description:	Ref. Part No:	Part No:	Description:
---------------	----------	--------------	---------------	----------	--------------

Image 1:

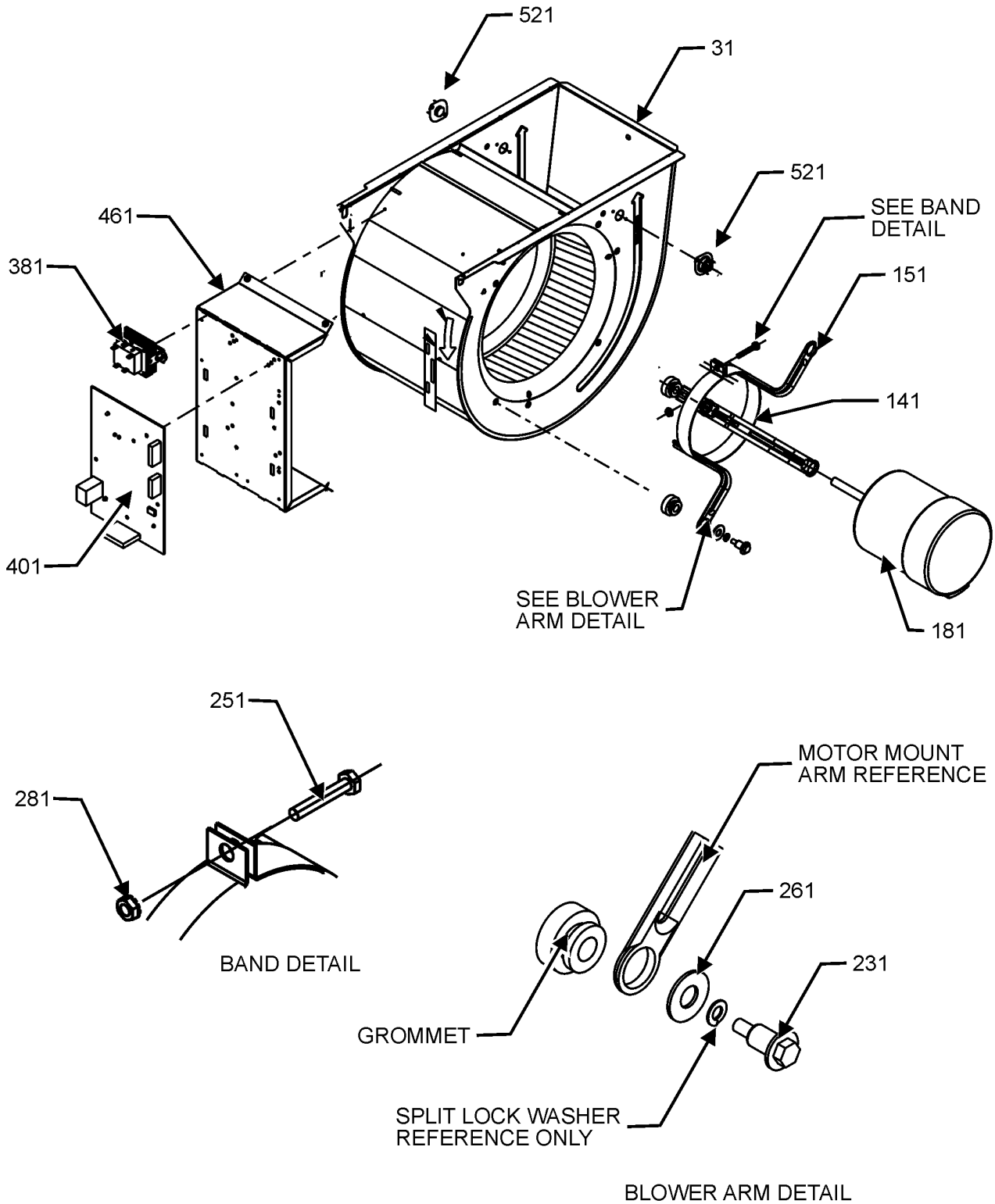
11	0270F05402	DRAIN KIT ASSY
21	0270F05402	DRAIN KIT ASSY
111	0154F00024	GASKET (QTY 2)
121	0154F00025	GASKET (QTY 2)
141	0161F00046	DRAIN TRAP
191	0121F00338LG	DOOR ACCESS 21" PNT (M4, M5, M6)
191	0121F00337LG	DOOR, ACCESS 17.5" PNT (M2, M3)
191	0121F00339LG	DOOR, ACCESS 24.5" PNT (M7)
191	0121F00673LG	PNT, DOOR, ACCESS 14" (M1)
201	0121F00340LG	DOOR, BLOWER 17.5" PNT (M2, M3)
201	0121F00341LG	DOOR, BLOWER 21" PNT (M4, M5, M6)
201	0121F00342LG	DOOR, BLOWER 24.5" PNT (M7)
201	0121F00671LG	PNT,DOOR, BLOWER 14" (M1)
281	B1392139	VIEW PORT BUSHING-BLOWER DOOR (QTY 2)
311	0154F00020	GASKET, DECK (M2, M3)
311	0154F00021	GASKET, DECK (M4, M5, M6)
311	0154F00022	GASKET, DECK (M7)
311	0154F00063	GASKET, DECK (M1)
341	0164F00017	HOSE-ELBOW/TRAP
351	0164F00020	DRAIN HOSE (M1)
351	0164F00006	HOSE, COVER/TRAP (M7)
351	0164F00024	HOSE, COVER/TRAP (M2, M3, M4, M5, M6)
451	M0501301	PIPE GROMMET
491	M0570808	BUTTON PLUG (QTY 3)
501	M0570806	BUTTON PLUG
511	M0570807	BUTTON PLUG
521	0161M00027	PLUG, HOLE (M1, M2, M3, M6)
601	B1392021	PLASTIC PLUG, 1" (2713-BLK) (QTY 4)
741	B1392104	UNIVERSAL BUSHING UB 875
NS	M0310345	BUTTON PLUG (QTY 2)
NS	0154F00065	GASKET (M1)
NS	20179307	GASKET (M7)
NS	20179309	GASKET (M2, M3)
NS	20179310	GASKET (M4, M5, M6)
NS	0163M00319	HEX NUT-INSERT (QTY 3)
NS	0161M00032	NAMEPLATE, AMANA
NS	M0273904	RETAINER-SCREW (QTY 3)
NS	M0209730	SCREW-DECORATIVE (QTY 3)

Expanded Model Nomenclature

- | |
|---------------------|
| M1 - AR9S960403ANAA |
| M2 - AR9S960603BNAA |
| M3 - AR9S960803BNAA |
| M4 - AR9S960804CNAA |
| M5 - AR9S960805CNAA |
| M6 - AR9S961005CNAA |
| M7 - AR9S961205DNAA |

Blower Assembly

BLOWER ASSEMBLY



BLOWER ASSEMBLY MAY DIFFER FROM WHAT IS SHOWN

Blower Assembly

Ref. Part No:	Part No:	Description:	Ref. Part No:	Part No:	Description:
---------------	----------	--------------	---------------	----------	--------------

Image 1:

31	0271F00607	BLOWER SHELL & WHEEL ASSY (M1)
31	0271F00507	MORRISON 11 X 10 BLOWER (M4, M5, M6)
31	0271F00508	MORRISON 11 X 11 BLOWER (M7)
31	0271F00506	MORRISON 11 X 8 BLOWER (M2, M3)
141	0121M00039	MOUNT BAND, MOTOR (HEAVY DUTY)
151	0163M00538	MOUNT ARM, MOTOR (QTY 3)
181	0131F00334M	MOTOR 1 HP W/O CONTROLLER (M5, M6, M7)
181	0131F00332M	MOTOR 1/2 HP W/O CONTROLLER (M1, M2, M3)
181	0131F00333M	MOTOR 3/4 HP W/O CONTROLLER (M4)
181	0131F00269	MOTOR PROGRAMMED (M1)
181	0131F00270	MOTOR PROGRAMMED (M2)
181	0131F00271	MOTOR PROGRAMMED (M3)
181	0131F00272	MOTOR PROGRAMMED (M4)
181	0131F00273	MOTOR PROGRAMMED (M6)
181	0131F00274	MOTOR PROGRAMMED (M5)
181	0131F00325	MOTOR PROGRAMMED (M7)
231	M0250565	TC SCREW 1.25" (QTY 3)
251	0163M00320	HEX HEAD ALL THREAD TAP BOLT
261	B1392918	WASHER, FLAT 1/4 ID X 1 OD (QTY 3)
281	B1393800	LOCKNUT, NYLON, INSERT 1/4, 20
381	0130M00140	TRANSFORMER 120V TO 24V, 40VA
401	PCBBF301V007	CIRCUIT BOARD, FURNACE
461	0121F00802	MOUNTING PANEL, CONTROLS
521	0130F00038	LIMIT, PRIMARY, 120, LT BLUE (QTY 2)
NS	0159F00160	CTM, MOTOR HARNESS
NS	M0282015	KEPS NUT (M5, M6, M7)
NS	B1392021	PLASTIC PLUG, 1" (2713-BLK) (QTY 4)
NS	0163M00279	SCREW #6 X .375 SELF DRILL (M5, M6, M7)
NS	B1392820	WASHER, SPLIT LOCK 1/4 BZ (M5, M6, M7)
NS	0259F00024	WIRE HARNESS-BLOWER

Expanded Model Nomenclature

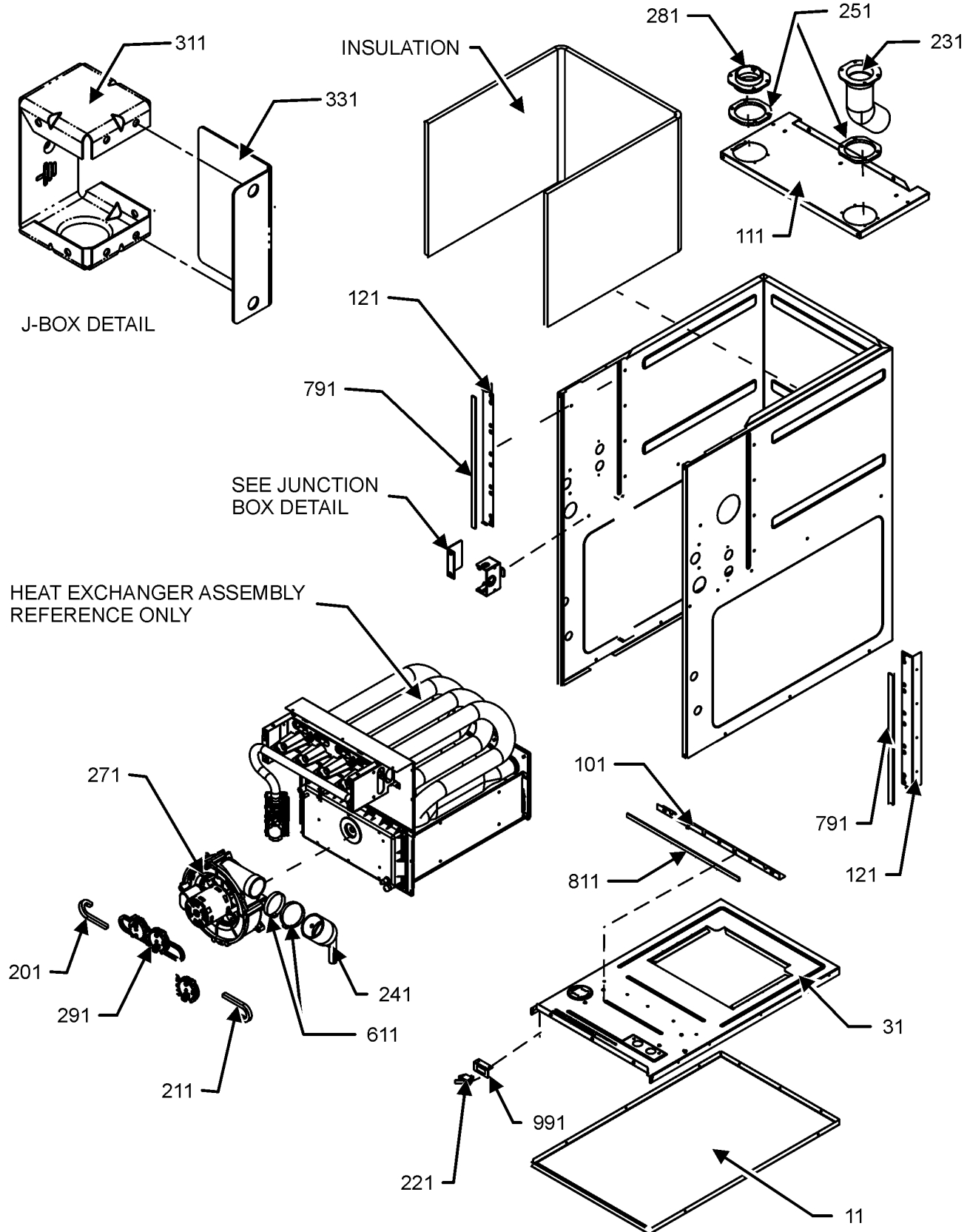
M1 - AR9S960403ANAA
M2 - AR9S960603BNAA
M3 - AR9S960803BNAA
M4 - AR9S960804CNAA
M5 - AR9S960805CNAA
M6 - AR9S961005CNAA
M7 - AR9S961205DNAA

To replace the Shaft end of motor order:

0131F00332M	MOTOR 1/2 HP W/O CONTROLLER
0131F00333M	MOTOR 3/4 HP W/O CONTROLLER
0131F00334M	MOTOR 1 HP W/O CONTROLLER

Chassis Assembly

CHASSIS ASSEMBLY



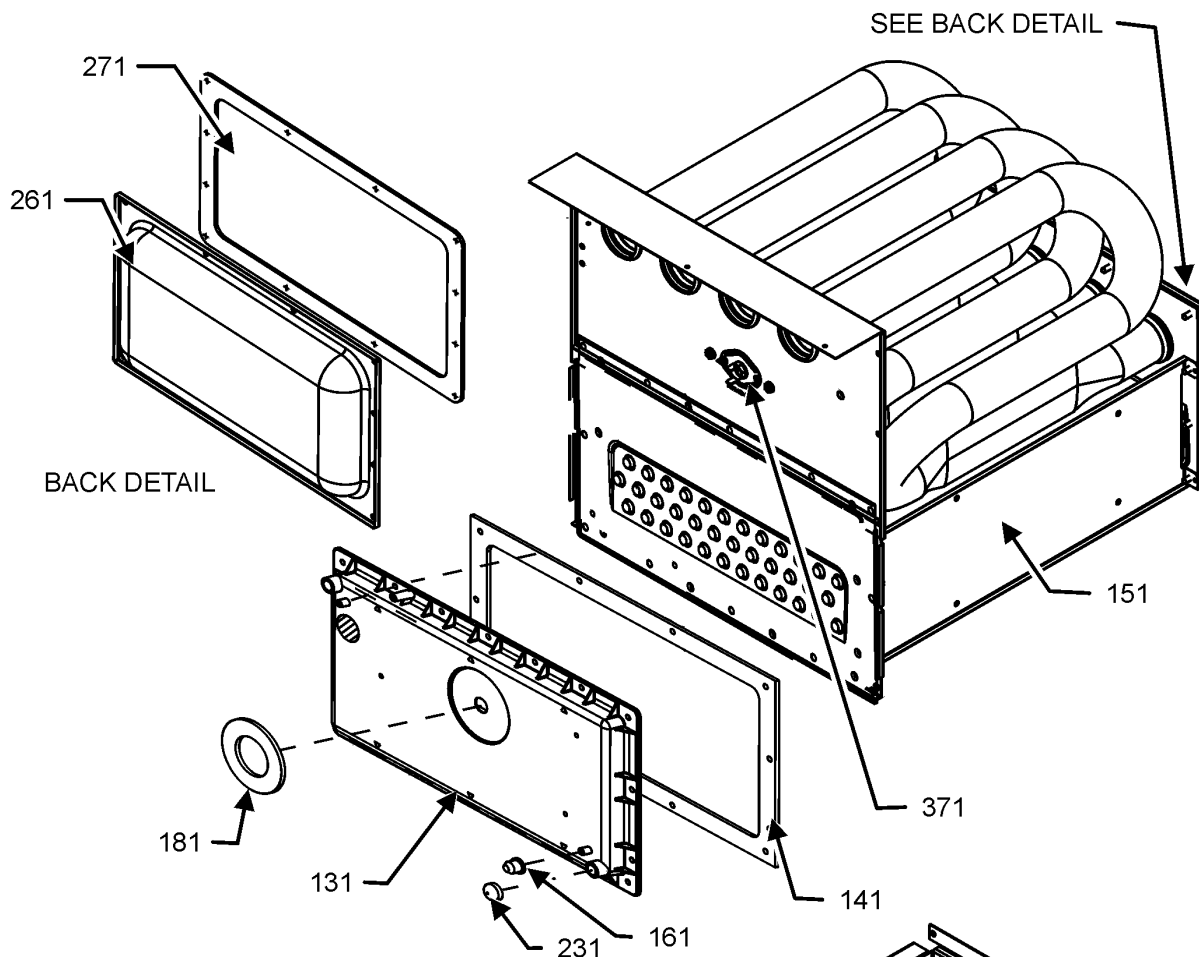
CHASSIS ASSEMBLY MAY DIFFER FROM WHAT IS SHOWN

Chassis Assembly

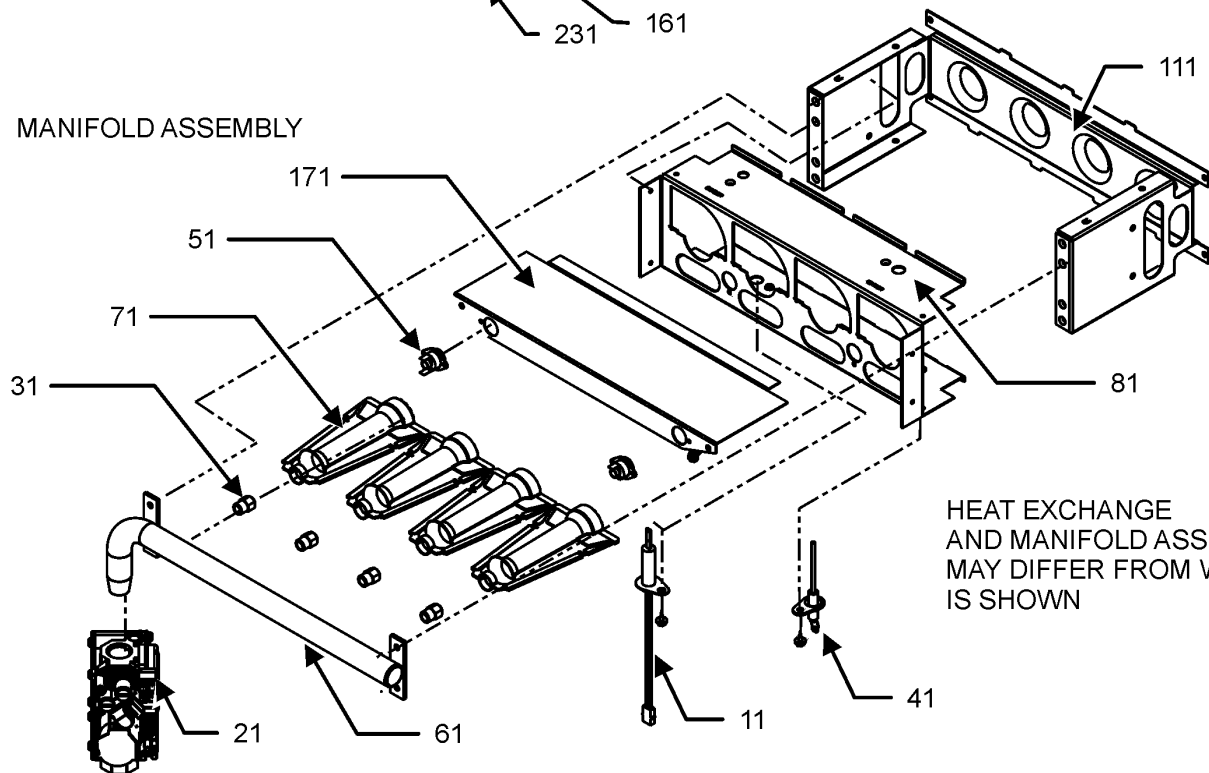
Ref. Part No:	Ref. Part No:	Description:	Description:
Image 1:		Expanded Model Nomenclature	
11	0121F00530DG	BASEPAN, 17.5 (M2, M3)	M1 - AR9S960403ANAA
11	0121F00531DG	BASEPAN, 21 PNT (M4, M5, M6)	M2 - AR9S960603BNAA
11	0121F00532DG	BASEPAN, 24.5 PNT (M7)	M3 - AR9S960803BNAA
11	0121F00664DG	BASEPAN, 14 PNT (M1)	M4 - AR9S960804CNAA
31	0121F00766	DECK- BLOWER 17.5" (M2, M3)	M5 - AR9S960805CNAA
31	0121F00767	DECK- BLOWER 21" (M4, M5, M6)	M6 - AR9S961005CNAA
31	0121F00768	DECK- BLOWER 24.5" (M7)	M7 - AR9S961205DNAA
31	0121F00663	DECK, BLOWER 14" (M1)	
101	0121F00314	ANGLE, DECK (M2, M3)	
101	0121F00315	ANGLE, DECK (M4, M5, M6)	
101	0121F00316	ANGLE, DECK (M7)	
101	0121F00661	ANGLE, DECK (M1)	
111	0121F00279DG	PAINTED TOP, FURNACE 17.5 (M2, M3)	
111	0121F00280DG	PAINTED TOP, FURNACE 21 (M4, M5, M6)	
111	0121F00281DG	PAINTED TOP, FURNACE 24.5 (M7)	
111	0121F00662DG	PNT, FURNACE TOP 14" (M1)	
121	0121F00313	ANGLE, SIDE (QTY 2)	
201	0164M00118	HOSE- PRESSURE SW 10" (M1, M4, M7)	
201	0164M00117	HOSE- PRESSURE SW 8" (M2, M3, M5, M6)	
211	0164M00119	HOSE- PRESSURE SW 12"	
221	10690402	SWITCH-INTERLOCK	
231	0164F00002	FLUE PIPE W/BEND	
241	0164F00025	ELBOW-FLUE,UPFLOW	
251	0154F00041	FRESH AIR GASKET	
271	0171M00008	MOTOR, ID BLOWER (M1)	
271	0171M00001	MOTOR-ID, BLOWER (M2, M3, M4, M5, M6, M7)	
281	0161F00037	COUPLING	
291	0130F00642	PRESSURE SWITCH (M1)	
291	0130F00438	SWITCH, PRESSURE (M7)	
291	0130F00439	SWITCH, PRESSURE (M3, M4, M5, M6)	
291	0130F00442	SWITCH, PRESSURE (M2)	
311	0121F20060	BOX, JUNCTION 90%	
331	0121F20061	BOX, JUNCTION 80%	
611	0163M00460	CLAMP-HOSE (QTY 2)	
791	0154F00015	GASKET (QTY 2)	
811	0154F00014	GASKET (M2, M3)	
811	0154F00016	GASKET (M4, M5, M6)	
811	0154F00064	GASKET (M1)	
811	20194607	GASKET (M7)	
991	0121F00389	BRACKET, DOOR SWITCH	
NS	0154F00041	FRESH AIR GASKET	
NS	0160F00025	INSULATION, HT EXCHANGER (M1)	
NS	0160F00015	INSULATION, HT EXCHANGER 17.5" (M2, M3)	
NS	0160F00016	INSULATION, HT EXCHANGER 21" (M4, M5, M6)	
NS	0160F00017	INSULATION, HT EXCHANGER 24.5" (M7)	
NS	M0326804	PLUG-TUBE	
NS	0159F20009	WIRE HARNESS (M1)	
NS	0159F20011	WIRE HARNESS (M2, M3, M4, M5, M6, M7)	

Heat Exchange and Manifold Assembly

HEAT EXCHANGE ASSEMBLY



MANIFOLD ASSEMBLY



Heat Exchange and Manifold Assembly

Ref. Part No:	Part No:	Description:	Ref. Part No:	Part No:	Description:							
Image 1:			Image 1:									
11	0130F00008	IGNITOR-SINI 17 SEC	371	20162903	LIMIT, PRIMARY (M1, M2, M4, M5)							
21	0151M00105	GAS VALVE	371	20162904	LIMIT, PRIMARY (M3, M6, M7)							
31	10716005	ORIFICE (QTY 2)	NS	0121F00582	INSULATION, RETAINER (M1)							
41	0130F00010	FLAME SENSOR	NS	0121F00583	INSULATION, RETAINER (M2, M3)							
51	0130F00123	LIMIT, RESET MAN (M5)	NS	0121F00584	INSULATION, RETAINER (M4, M5, M6)							
51	10123538	LIMIT-MAN-TAN (M1, M3, M6)	NS	0121F00585	INSULATION, RETAINER (M7)							
51	10123539	LIMIT-RESET MAN-ORANGE (M2, M4)	NS	0121F00439	PRIMARY LIMIT-HEAT SHIELD							
51	10123528	LIMIT-RESET MAN-RED (M7)	NS	0121F00355	SHIELD, COIL (QTY 2)							
61	0163F00007	MANIFOLD (M1)	Expanded Model Nomenclature									
61	0163F00008	MANIFOLD (M2)	<table border="1"> <tr> <td>M1 - AR9S960403ANAA</td> </tr> <tr> <td>M2 - AR9S960603BNAA</td> </tr> <tr> <td>M3 - AR9S960803BNAA</td> </tr> <tr> <td>M4 - AR9S960804CNAA</td> </tr> <tr> <td>M5 - AR9S960805CNAA</td> </tr> <tr> <td>M6 - AR9S961005CNAA</td> </tr> <tr> <td>M7 - AR9S961205DNAA</td> </tr> </table>			M1 - AR9S960403ANAA	M2 - AR9S960603BNAA	M3 - AR9S960803BNAA	M4 - AR9S960804CNAA	M5 - AR9S960805CNAA	M6 - AR9S961005CNAA	M7 - AR9S961205DNAA
M1 - AR9S960403ANAA												
M2 - AR9S960603BNAA												
M3 - AR9S960803BNAA												
M4 - AR9S960804CNAA												
M5 - AR9S960805CNAA												
M6 - AR9S961005CNAA												
M7 - AR9S961205DNAA												
61	0163F00009	MANIFOLD (M4, M5)										
61	0163F00010	MANIFOLD (M6)										
61	0163F00011	MANIFOLD (M7)										
61	0163F00014	MANIFOLD (M3)										
71	0163F00017	BECKETT BURNER (QTY 2)										
81	0121F00456	BRACKET-BURNER 2 (M1)										
81	0121F00455	BRACKET-BURNER 3 (M2)										
81	0121F00454	BRACKET-BURNER 4 (M3, M4, M5)										
81	0121F00453	BRACKET-BURNER 5 (M6)										
81	0121F00451	BRACKET-BURNER 6 (M7)										
111	0121F00469	ORIFICE BRACKET-BURNER 2 (M1)										
111	0121F00468	ORIFICE BRACKET-BURNER 3 (M2)										
111	0121F00467	ORIFICE BRACKET-BURNER 4 (M3, M4, M5)										
111	0121F00466	ORIFICE BRACKET-BURNER 5 (M6)										
111	0121F00465	ORIFICE BRACKET-BURNER 6 (M7)										
131	0161F00024	COVER, FRONT (M3)										
131	0161F00026	COVER, FRONT (M6)										
131	0161F00030	COVER, FRONT (M4, M5)										
131	0161F00054	COVER, FRONT (M2)										
131	0161F00062	COVER, FRONT (M7)										
131	0161F00080	COVER, FRONT (M1)										
141	0154F00026	GASKET FRONT COVER (M2, M3)										
141	0154F00030	GASKET FRONT COVER (M4, M5, M6)										
141	0154F00034	GASKET FRONT COVER (M7)										
141	0154F00062	GASKET FRONT COVER (M1)										
151	0257F20087	HEAT EXCHANGER ASSY (M2)										
151	0257F20089	HEAT EXCHANGER ASSY (M4, M5)										
151	0257F20090	HEAT EXCHANGER ASSY (M6)										
151	0257F20101	HEAT EXCHANGER ASSY (M3)										
151	0257F20110	HEAT EXCHANGER ASSY (M1)										
151	0257F20111	HEAT EXCHANGER ASSY (M7)										
161	M0326804	TUBE PLUG										
171	0121F00540	SHEILD, BURNER (M2)										
171	0121F00541	SHEILD, BURNER (M3, M4, M5)										
171	0121F00542	SHEILD, BURNER (M6)										
171	0121F00543	SHEILD, BURNER (M7)										
171	0121F00755	SHIELD, BURNER (M1)										
181	0154F00043	GASKET ID BLOWER										
231	A1781105	CAP-VINYL .500										
261	0121F00317	COVER, REAR (M2, M3)										
261	0121F00318	COVER, REAR (M4, M5, M6)										
261	0121F00319	COVER, REAR (M7)										
261	0121F00670	COVER, REAR (M1)										
271	0154F00058	GASKET REAR CVR (M1)										
271	0154F00037	GASKET, REAR CVR (M2, M3)										
271	0154F00038	GASKET, REAR CVR (M4, M5, M6)										
271	0154F00039	GASKET, REAR CVR (M7)										