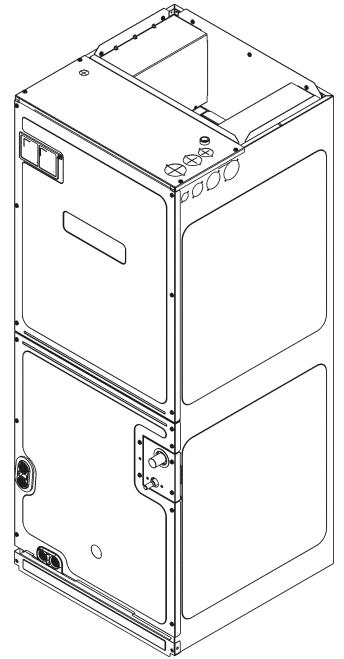


AMST Air Handler

AMST24BU1300AA
AMST30BU1300AA
AMST36CU1300AA
AMST42CU1300AA
AMST48CU1300AA
AMST60DU1300AA



Amana® is a registered trademark of Maytag Corporation or its related companies and is used under license. All rights reserved.

This manual is to be used by qualified technicians only.

Important Information

Index

Functional Parts List	3
Illustration and Parts	4 - 9

Views shown are for parts illustrations only, not servicing procedures.

Text Codes:

AR - As Required

NA - Not Available

NS - Not Shown

00000000 - See Note

QTY - Quantity Example (QTY 3) (If Quantity not shown, Quantity = 1)

M - Model Example (M1) (If M Code not shown, then part is used on all Models)

Expanded Model Nomenclature:

Example
M1 - Model#1
M2 - Model#2
M3 - Model#3

Goodman Company, L.P. is not responsible for personal injury or property damage resulting from improper service. Review all service information before beginning repairs.

Warranty service must be performed by an authorized technician, using authorized factory parts. If service is required after the warranty expires, Goodman Company, L.P. also recommends contacting an authorized technician and using authorized factory parts.

Goodman Company, L.P. reserves the right to discontinue, or change at any time, specifications or designs without notice or without incurring obligations.

For assistance within the U.S.A. contact:

Homeowner Support
Goodman Company, L.P.
19001 Kermier Road
Waller, Texas 77484
877-254-4729-Telephone
713-863-2382-Facsimile

For assistance outside the U.S.A. contact:

International Division
Goodman Company, L.P.
19001 Kermier Road
Waller, Texas 77484
713-861-2500-Telephone
713-863-2382-Facsimile

Functional Parts

Part

No: Description:

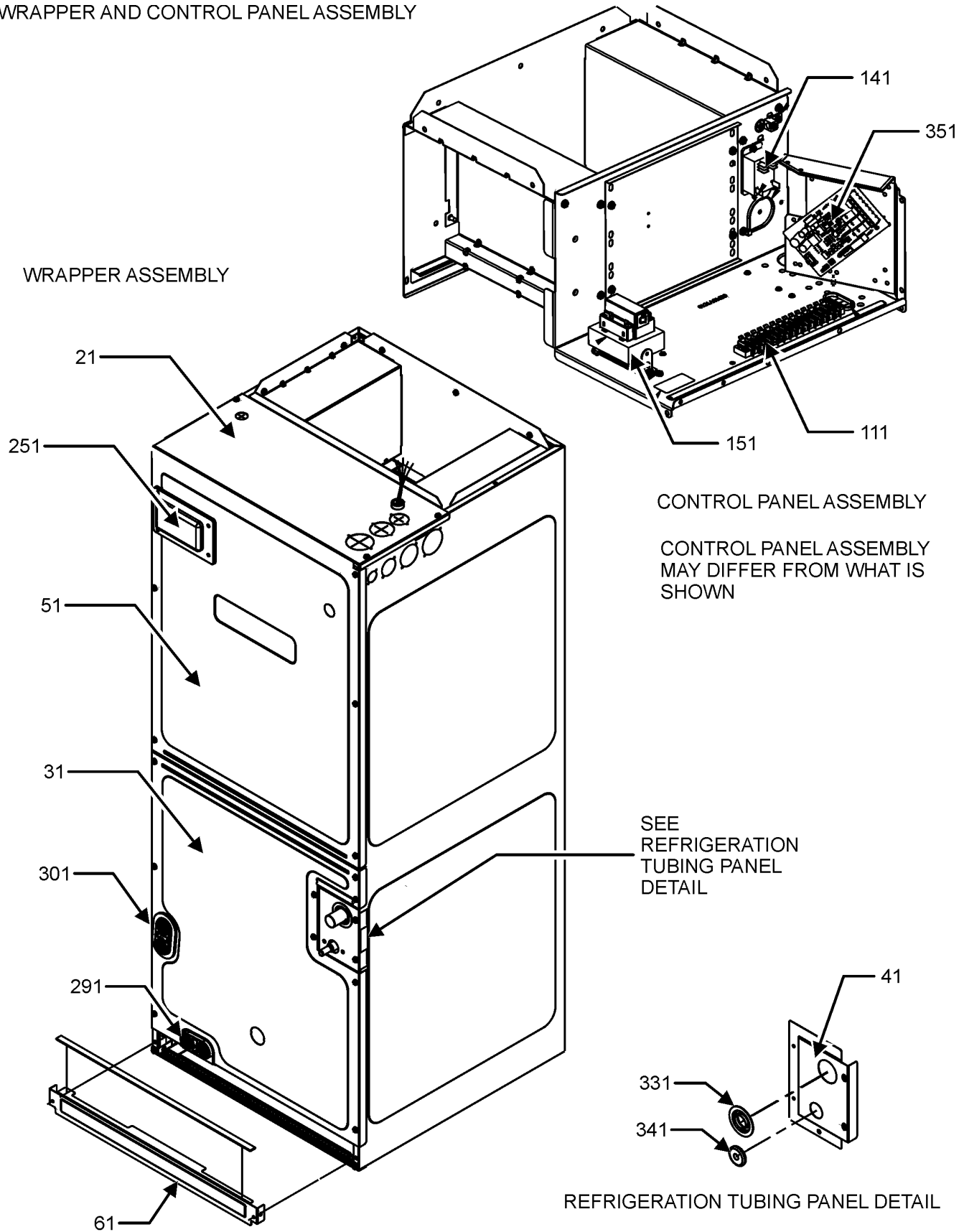
0151R00271	ADJUSTABLE VALVE TXV(FX) (M6)
0151R00270	ADJUSTABLE VALVE TXV(FX) (M5)
0151R00269	ADJUSTABLE VALVE TXV(FX) (M4)
0151R00268	ADJUSTABLE VALVE TXV(FX) (M3)
0151R00267	ADJUSTABLE VALVE TXV(FX) (M2)
0151R00266	ADJUSTABLE VALVE TXV(FX) (M1)
0130M00908	DPDT RELAY 24VAC (M1, M2, M3, M4, M5)
0131M01107	MOTOR (M6)
0131M01105	MOTOR (M5)
0131M01104	MOTOR (M4)
0131M01103	MOTOR (M3)
0131M01101	MOTOR (M2)
0131M01100	MOTOR (M1)
SER2A05012	SENSATA, R32 SENSOR
0130M00871	TRANSFORMER 75VA

Expanded Model Nomenclature

M1 - AMST24BU1300AA
M2 - AMST30BU1300AA
M3 - AMST36CU1300AA
M4 - AMST42CU1300AA
M5 - AMST48CU1300AA
M6 - AMST60DU1300AA

Cabinet and Control Box Assembly

WRAPPER AND CONTROL PANEL ASSEMBLY



Cabinet and Control Box Assembly

Ref. Part No:	Part No:	Description:	Ref. Part No:	Part No:	Description:
---------------	----------	--------------	---------------	----------	--------------

Image 1:

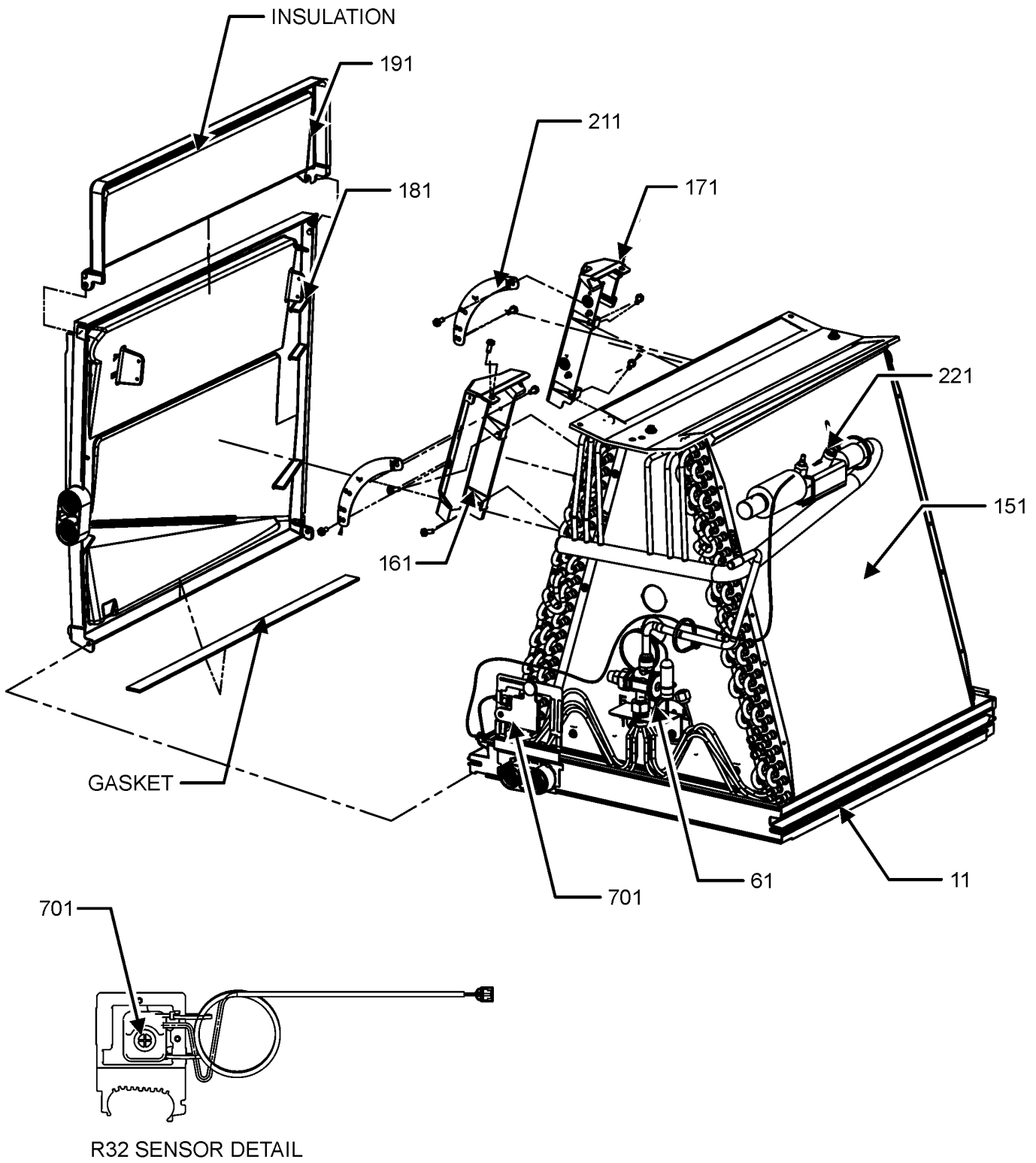
21	0121A01483PDG	PLATE, UPPER TIE, PAINTED (M1, M2)
21	0121A01484PDG	PLATE, UPPER TIE, PAINTED (M3, M4, M5)
21	0121A01485PDG	PLATE, UPPER TIE, PAINTED (M6)
31	0121A00618PDG	LOWER ACCESS PANEL (M6)
31	0121A01470PDG	LOWER ACCESS PANEL, PAINTED (M1)
31	0121A01473PDG	LOWER ACCESS PANEL, PAINTED (M2)
31	0121A01474PDG	LOWER ACCESS PANEL, PAINTED (M3)
31	0121A01477PDG	LOWER ACCESS PANEL, PAINTED (M4)
31	0121A01478PDG	LOWER ACCESS PANEL, PAINTED (M5)
41	0121A00658PDG	REFRIGERATION TUBING PANEL
51	0121A01440PDG	PANEL, UPPER ACCESS (M6)
51	0121A01441PDG	PANEL, UPPER ACCESS (M4, M5)
51	0121A01442PDG	PANEL, UPPER ACCESS (M1, M2)
51	0121A01575PDG	UPPER ACCESS PANEL, PAINTED (M3)
61	0121A00242PDG	Panel, Filter Access, Ptd (M1, M2)
61	0121A00243PDG	Panel, Filter Access, Ptd (M3, M4, M5)
61	0121A00244PDG	Panel, Filter Access, Ptd (M6)
111	0130M00020	TERMINAL BOARD
141	0130M00908	DPDT RELAY 24VAC (M1, M2, M3, M4, M5)
151	0130M00871	TRANSFORMER 75VA
251	0161A00073	CIRCUIT BREAKER COVER
291	0154A00006BL	Gasket, Drain Pan (M5, M6)
291	0154D00037	GASKET, DRAIN PAN (M1, M2, M3, M4)
301	0154A00007BL	Gasket, Drain Pan
331	0164A00016	GROMMET
341	0164A00002	GROMMET
351	PCBCM301V0001	PCB, CONTROL, AIR HANDLER
NS	0159A00027	SPIDER WIRE HARNESS (M6)
NS	0163A00026	THUMB SCREW (QTY 2)
NS	BT1392909	WASHER; SS RETAINING (QTY 2)
NS	0259A00012P	WIRE ASSY, 9 PIN FEMALE CONN.
NS	0259A00015P	WIRE ASSY, 9 PIN MALE CONN.

Expanded Model Nomenclature

M1 - AMST24BU1300AA
M2 - AMST30BU1300AA
M3 - AMST36CU1300AA
M4 - AMST42CU1300AA
M5 - AMST48CU1300AA
M6 - AMST60DU1300AA

Coil Assembly

COIL ASSEMBLY



COIL ASSEMBLY MAY DIFFER FROM WHAT IS SHOWN

Coil Assembly

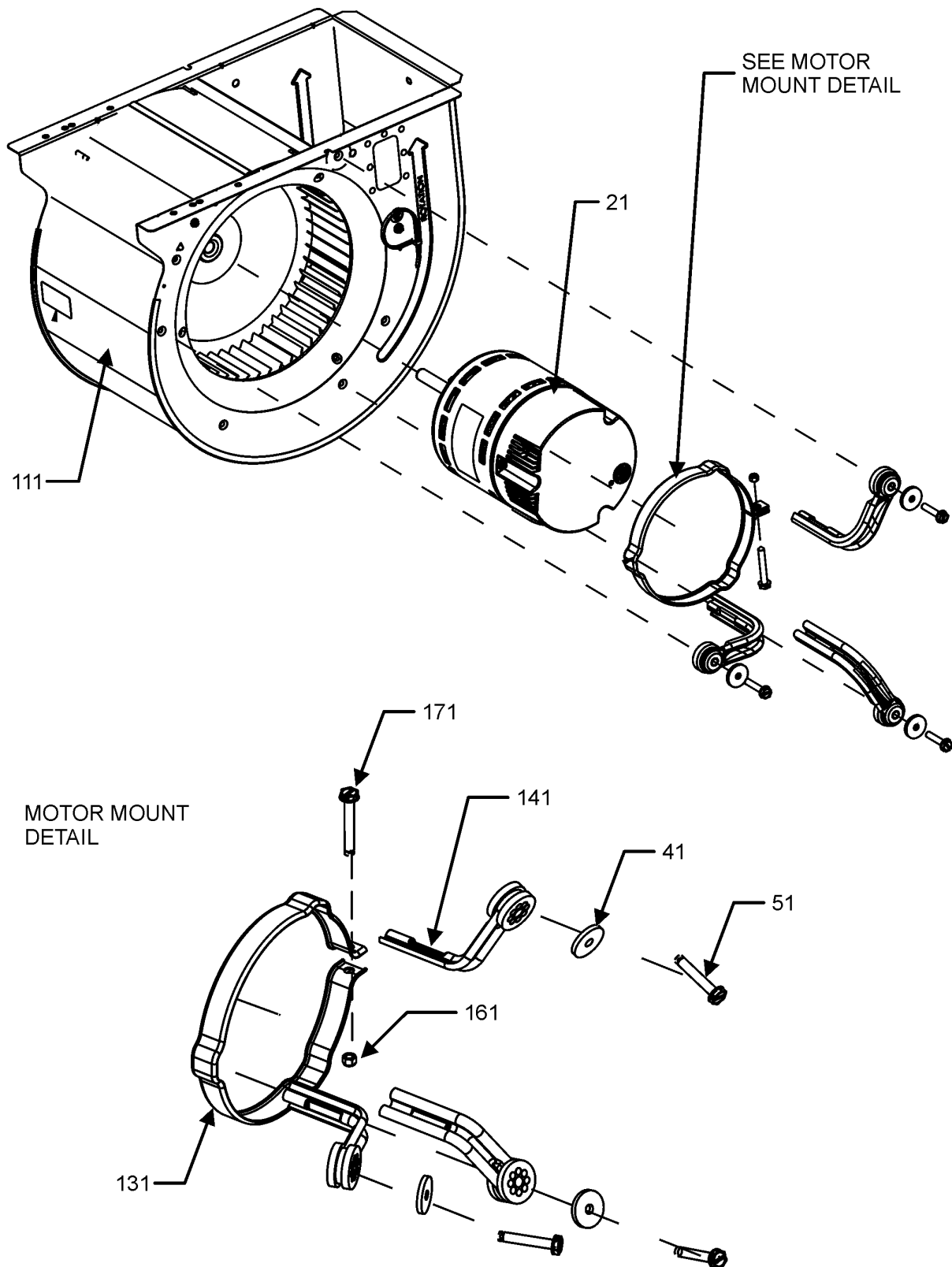
Ref. Part No:	Ref. Part No:	Description:	Description:
Image 1:			
11	0161A00122	DRAIN PAN MAIN, E COIL (M1, M2)	
11	0161A00123	DRAIN PAN MAIN, E COIL (M3, M4)	
11	0161A00051	DRAINPAN, VERTICAL (M6)	
11	0161A00052	DRAINPAN, VERTICAL (M5)	
61	0151R00266	ADJUSTABLE VALVE TXV(FX) (M1)	
61	0151R00267	ADJUSTABLE VALVE TXV(FX) (M2)	
61	0151R00268	ADJUSTABLE VALVE TXV(FX) (M3)	
61	0151R00269	ADJUSTABLE VALVE TXV(FX) (M4)	
61	0151R00270	ADJUSTABLE VALVE TXV(FX) (M5)	
61	0151R00271	ADJUSTABLE VALVE TXV(FX) (M6)	
151	0270A01851	COIL TUBING ASSY (M6)	
151	0270A01908	COIL TUBING ASSY (M1)	
151	0270A01918	COIL TUBING ASSY (M4)	
151	0270A01919	COIL TUBING ASSY (M3)	
151	0270A01956	COIL TUBING ASSY (M2)	
151	0270A01850	EVAP COIL TUBING ASSY (M5)	
161	0161A00157	CONDENSATE COLLECTOR, FRONT (M1, M2, M3, M4)	
161	0161A00060	CONDENSATE, COLLECT, FRONT (M5, M6)	
171	0161A00158	CONDENSATE COLLECTOR, BACK (M1, M2, M3, M4)	
171	0161A00061	CONDENSATE, COLLECT, BACK (M5, M6)	
181	0161A00053	DRAIN PAN HORIZONTAL, TALL (M5, M6)	
181	0161A00152	DRAIN PAN, SIDE (M1, M3)	
181	0161A00153	DRAIN PAN, SIDE (M2, M4)	
191	0161A00155	DRAIN PAN EXT, E COIL (M2, M4)	
191	0161A00156	DRAIN PAN EXT, E COIL (M3)	
191	0161A00056	DRAIN PAN, EXTENSION, TALL (M5, M6)	
211	0121A00633	Bracket, Drip Shield (M5)	
211	0121D01235	BRACKET, DRIP SHIELD (M6)	
211	0121D00882	BRKT, 2"-C (M4)	
211	0121D00897	BRKT, 3" (M2)	
211	0121D01262	BRKT, 4"-C (M3)	
211	0121D00929	BRKT, C (M1)	
221	0163M00629	RED CAP WITH O-RING	
701	SER2A05012	SENSATA, R32 SENSOR	
NS	BT1369063	90 DEGREE STUB (M1, M2, M3, M4, M6)	
NS	0121A01738	SENSOR BRACKET	
NS	0151M00104	VALVE CORE	

Expanded Model Nomenclature

M1 - AMST24BU1300AA
M2 - AMST30BU1300AA
M3 - AMST36CU1300AA
M4 - AMST42CU1300AA
M5 - AMST48CU1300AA
M6 - AMST60DU1300AA

Blower Assembly

BLOWER ASSEMBLY



BLOWER ASSEMBLY MAY DIFFER FROM WHAT IS SHOWN

Blower Assembly

Ref. Part No:	Ref. Part No:	Description:	Description:
Image 1:			
21	0131M01100	MOTOR (M1)	
21	0131M01101	MOTOR (M2)	
21	0131M01103	MOTOR (M3)	
21	0131M01104	MOTOR (M4)	
21	0131M01105	MOTOR (M5)	
21	0131M01107	MOTOR (M6)	
41	B1392918	WASHER, FLAT 1/4 ID X 1 OD (QTY 3)	
51	M0250565	SCREW-TC 1.25" (QTY 3)	
111	0271A00029	ASSY, BLOWER SHELL 10 X 8 (M4)	
111	0271A00206	BLOWER SHELL ASSY (M6)	
111	0271A00497	BLOWER SHELL ASSY (M1, M2)	
111	0271A00499	BLOWER SHELL ASSY (M5)	
111	0271A00832	BLOWER SHELL ASSY (M3)	
131	0121M00039	MOTOR MOUNT BAND (HEAVY DUTY)	
141	0163M00537	MOTOR MOUNT ARM (M1, M2, M3, M5)	
141	0163M00538	MOUNT ARM, MOTOR (M4, M6)	
161	B1393800	LOCKNUT, NYLON, INSERT 1/4,20	
171	0163M00320	HEX HEAD ALL THREAD TAP BOLT	
NS	B1368058	Blower Wheel (10 X 8) (M4)	
NS	764740	BLWR BLK-OFF,10X8 (M4)	
NS	0163M00003P	SCREW #10 X 1/2 A SLOT SR BLK	
NS	0230M00014	X-13 POWER HARNESS	

Expanded Model Nomenclature

M1 - AMST24BU1300AA
M2 - AMST30BU1300AA
M3 - AMST36CU1300AA
M4 - AMST42CU1300AA
M5 - AMST48CU1300AA
M6 - AMST60DU1300AA