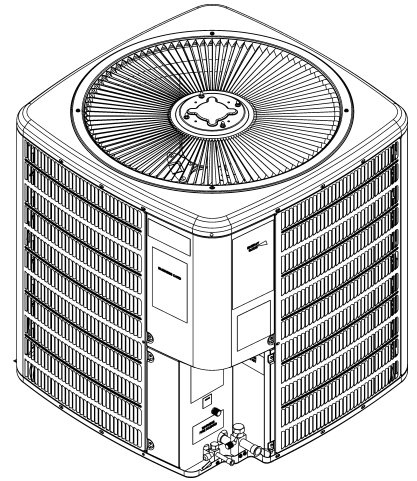


## ALZS4NA Remote Heat Pump

ALZS4NA1810AA  
ALZS4NA2410AA  
ALZS4NA3010AA  
ALZS4NA3610AA  
ALZS4NA4210AA  
ALZS4NA4810AA  
ALZS4NA6010AA



Amana® is a registered trademark of Maytag Corporation or its related companies and is used under license. All rights reserved.

This manual is to be used by qualified technicians only.

This manual replaces RP-A4360

© 2024 Goodman Company, L.P. ♦ 19001 Kermier Rd. ♦ Waller, TX 77484

# Important Information

---

## Index

Functional Parts List .....	3
Illustration and Parts .....	4 - 9

*Views shown are for parts illustrations only, not servicing procedures.*

### Text Codes:

AR - As Required

NA - Not Available

NS - Not Shown

00000000 - See Note

QTY - Quantity Example (QTY 3) (If Quantity not shown, Quantity = 1)

M - Model Example (M1) (If M Code not shown, then part is used on all Models)

### Expanded Model Nomenclature:

Example M1 - Model#1 M2 - Model#2 M3 - Model#3
---

Goodman Company, L.P. is not responsible for personal injury or property damage resulting from improper service. Review all service information before beginning repairs.

Warranty service must be performed by an authorized technician, using authorized factory parts. If service is required after the warranty expires, Goodman Company, L.P. also recommends contacting an authorized technician and using authorized factory parts.

Goodman Company, L.P. reserves the right to discontinue, or change at any time, specifications or designs without notice or without incurring obligations.

For assistance within the U.S.A. contact:

Homeowner Support  
Goodman Company, L.P.  
19001 Kermier Road  
Waller, Texas 77484  
877-254-4729-Telephone  
713-863-2382-Facsimile

For assistance outside the U.S.A. contact:

International Division  
Goodman Company, L.P.  
19001 Kermier Road  
Waller, Texas 77484  
713-861-2500-Telephone  
713-863-2382-Facsimile

# Functional Parts

## Part

## No: Description:

---

0151R00285	BASE VALVE 3/4", R32 (M1, M2, M3)
0151R00287	BASE VALVE 3/8", R32
0151R00286	BASE VALVE 7/8", R32 (M4, M5, M6, M7)
CAB050400440CT	CAP, 5/40 MFD/440V RD - BPRF (M1, M2, M4)
CAB050450440CT	CAP, 5/45 MFD/440V RD - BPRF (M3, M5, M6)
CAB050800440CT	CAP, 5/80 MFD/440V RD - BPRF (M7)
0130R00238	CAPACITOR, HARD START (M3)
0130R00239	CAPACITOR, HARD START (M1, M2)
YP31K1TPFVASE	COMPRESSOR (M4)
YP34K1TPFVASC	COMPRESSOR (M5)
YP40K1TPFVASC	COMPRESSOR (M6)
YP51K1TPFVASC	COMPRESSOR (M7)
55Y622UV-ZALQ	COMPRESSOR R-32 (M3)
50Y4929V-ZALM	COMPRESSOR R-32 (M1, M2)
CONT1P030024D	CONT, 1 POLE, 30 AMP, 24VAC
0130M00884	CONTROL, DEFROST (M1, M2, M3, M4, M5)
0130M00250	CONTROL, DEFROST (M6, M7)
PCBDM133	DEFROST CONTROL BOARD
0130M00106	DISC THERMOSTAT(CRNKCS HTR SW)
0150M00008	FAN BLADE, 22" TNT2203-25 (M1, M2, M3)
0150M00066	FAN BLADE, 26" (M4, M5, M6, M7)
0163R00006	HEATER, CRANKCASE 230V, 40W (M1, M2, M3, M4)
0163R00007	HEATER, CRANKCASE 230V, 40W (M5, M6, M7)
0130M20002	HIGH PRESSURE SWITCH
0130M00088	LOW PRESSURE SWITCH
0131M00807	MOTOR, 1/4HP, 1SP, 8PL, AL (M5, M6, M7)
0131M00753	MOTOR, 1/6HP, 1SP, 8PL, AL (M1, M2, M3)
0131M00945	MOTOR, 1/6HP, 8PL (M4)
0130M00851	PREWIRED RELAY HARD START (M1, M2, M3)
0151R00071	REVERSING VALVE (M5, M6, M7)
0151R00288	REVERSING VALVE (M1, M2, M3, M4)
B1225022	SOLENOID COIL
0151R00259	VALVE, ADJUSTABLE (M6)
0151R00258	VALVE, ADJUSTABLE (M5)
0151R00257	VALVE, ADJUSTABLE (M4)
0151R00260	VALVE, ADJUSTABLE (M7)
0151R00256	VALVE, ADJUSTABLE (M1, M2, M3)

### SPECIAL PARTS

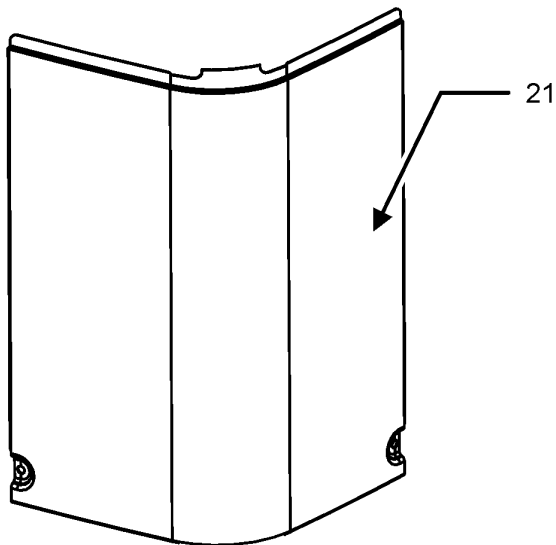
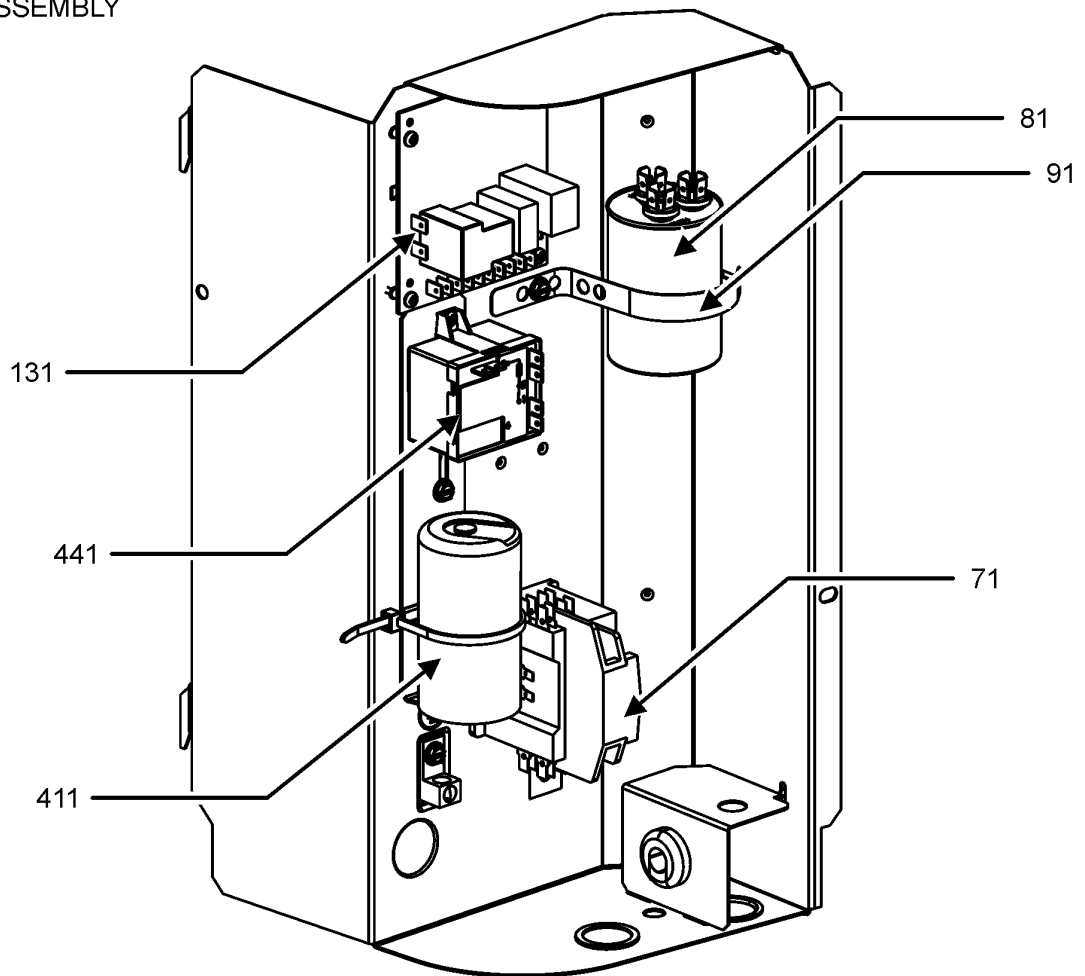
0161R00117	CAP, AMANA
0161R00087	NAMEPLATE, AMANA LOGO

### Expanded Model Nomenclature

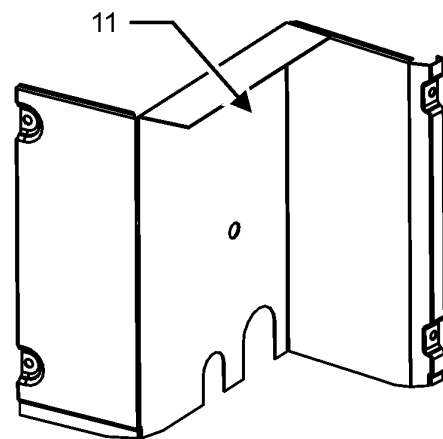
M1 - ALZS4NA1810AA
M2 - ALZS4NA2410AA
M3 - ALZS4NA3010AA
M4 - ALZS4NA3610AA
M5 - ALZS4NA4210AA
M6 - ALZS4NA4810AA
M7 - ALZS4NA6010AA

# Control Box Assembly

## CONTROL PANEL ASSEMBLY



CONTROL ACCESS PANEL



LOWER ACCESS PANEL

CONTROL PANEL ASSEMBLY MAY DIFFER FROM WHAT IS SHOWN

# Control Box Assembly

Ref. Part No:	Ref. Part No:	Description:	Description:
---------------	---------------	--------------	--------------

**Image 1:**

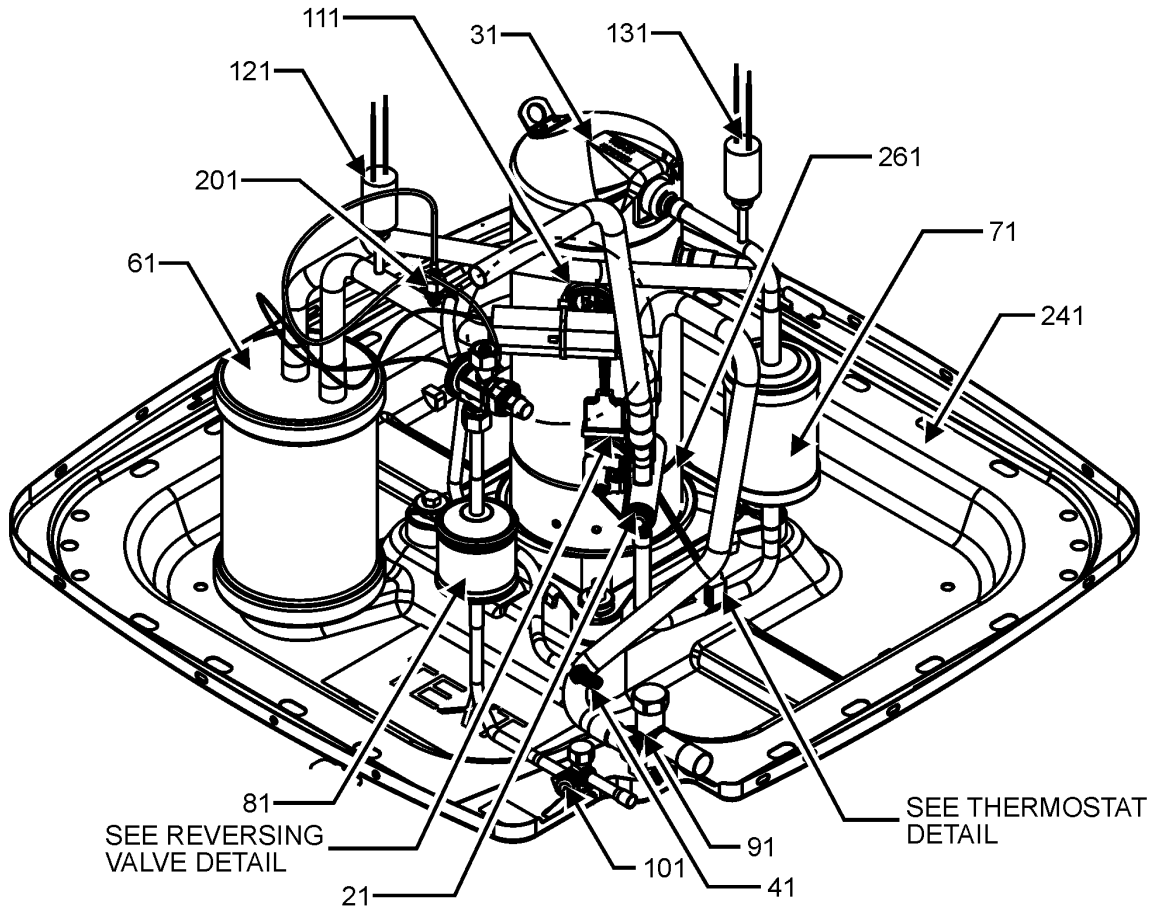
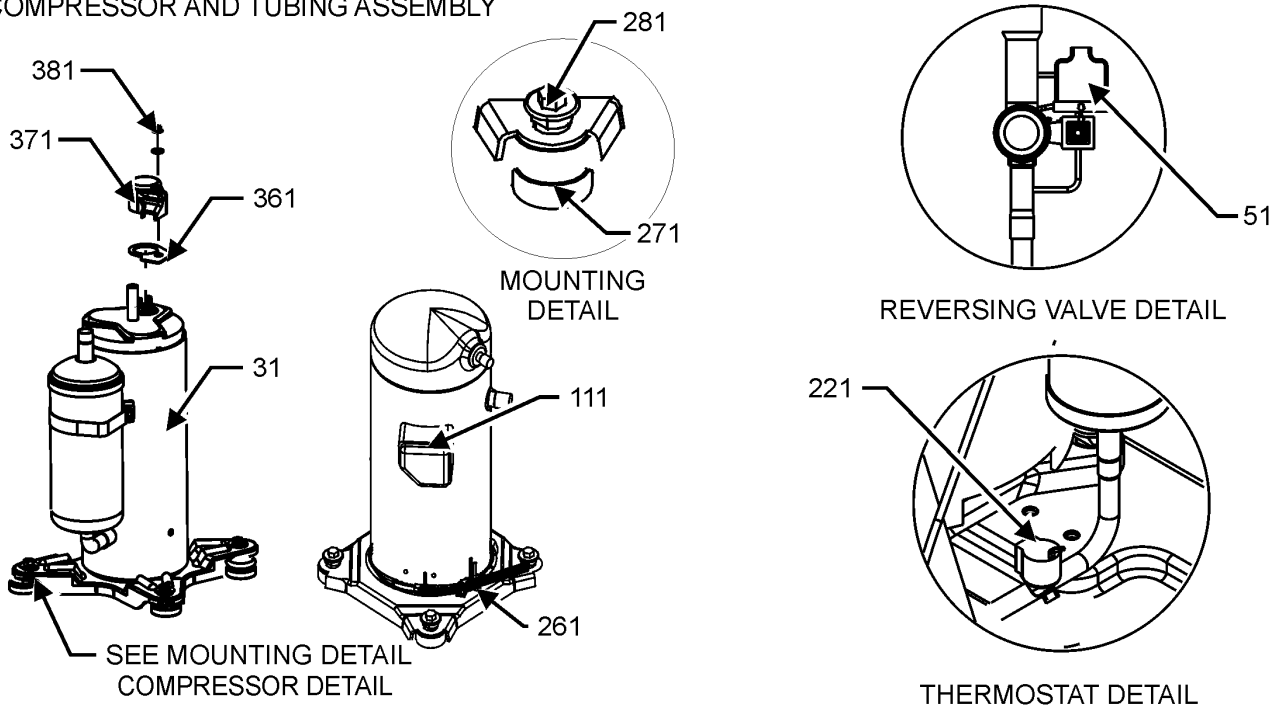
11	0121R00909PDG	PNL, LWR ACCESS (M3)
11	0121R00912PDG	PNL, LWR ACCESS (M4, M5)
11	0121R00916PDG	PNL, LWR ACCESS (M7)
11	0121R00917PDG	PNL, LWR ACCESS (M6)
11	0121R00919PDG	PNL, LWR ACCESS (M1, M2)
21	0121R00937PDG	PNL, CONTROL COVER
71	CONT1P030024D	CONT, 1 POLE, 30 AMP, 24VAC
81	CAB050400440CT	CAP, 5/40 MFD/440V RD - BPRF (M1, M2, M4)
81	CAB050450440CT	CAP, 5/45 MFD/440V RD - BPRF (M3, M5, M6)
81	CAB050800440CT	CAP, 5/80 MFD/440V RD - BPRF (M7)
91	4400065	CAPACITOR STRAP
131	PCBDM133	DEFROST CONTROL BOARD
411	0130R00238	CAPACITOR, HARD START (M3)
411	0130R00239	CAPACITOR, HARD START (M1, M2)
441	0130M00851	PREWIRED RELAY HARD START (M1, M2, M3)
NS	0121R00854	HARD START KIT BRACKET (M1, M2, M3)
NS	0161R00087	NAMEPLATE, AMANA LOGO

**Expanded Model Nomenclature**

- |                    |
|--------------------|
| M1 - ALZS4NA1810AA |
| M2 - ALZS4NA2410AA |
| M3 - ALZS4NA3010AA |
| M4 - ALZS4NA3610AA |
| M5 - ALZS4NA4210AA |
| M6 - ALZS4NA4810AA |
| M7 - ALZS4NA6010AA |

# Compressor and Tubing Assembly

## COMPRESSOR AND TUBING ASSEMBLY



COMPRESSOR AND TUBING ASSEMBLY MAY DIFFER FROM WHAT IS SHOWN

# Compressor and Tubing Assembly

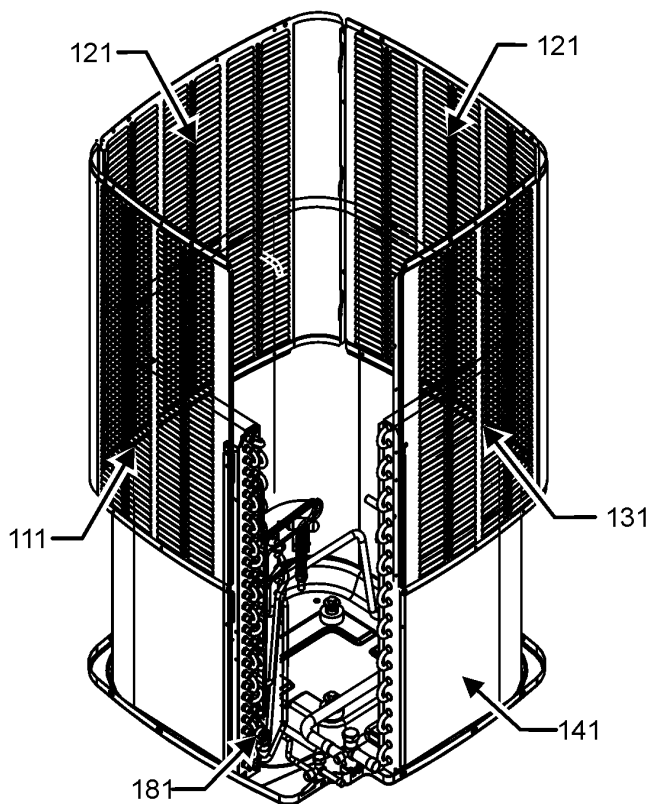
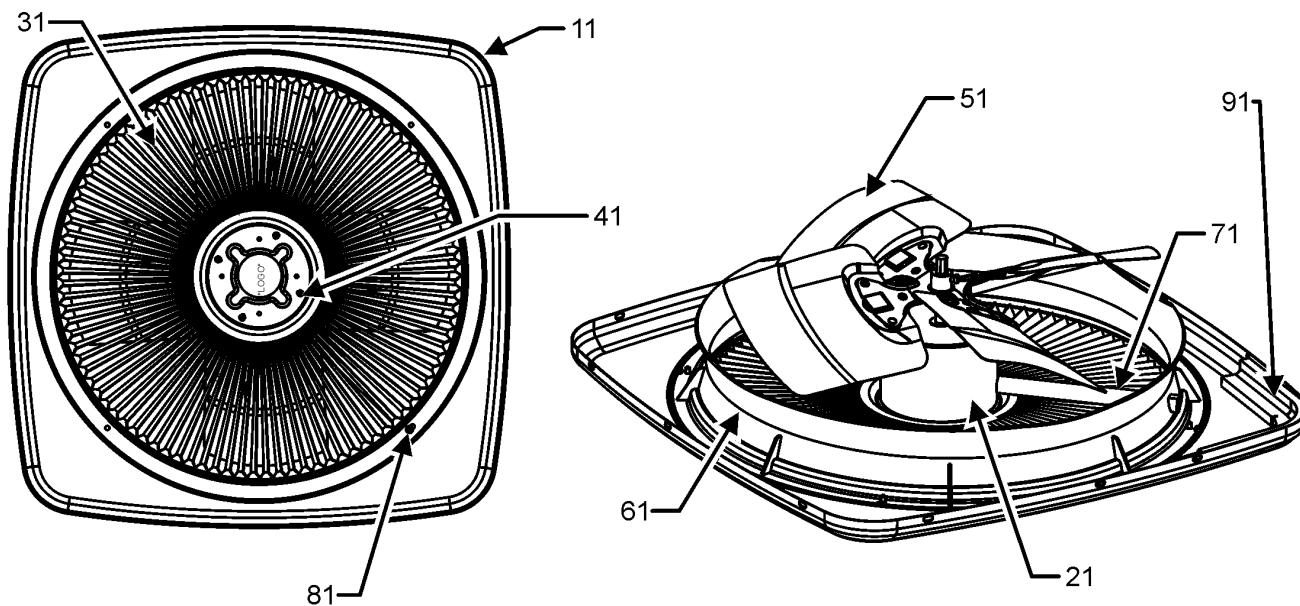
Ref. Part No:	Ref. Part No:	Description:	Description:
<b>Image 1:</b>			
21	0151R00071	REVERSING VALVE (M5, M6, M7)	
21	0151R00288	REVERSING VALVE (M1, M2, M3, M4)	
31	YP31K1TPFVASE	COMPRESSOR (M4)	
31	YP34K1TPFVASC	COMPRESSOR (M5)	
31	YP40K1TPFVASC	COMPRESSOR (M6)	
31	YP51K1TPFVASC	COMPRESSOR (M7)	
31	55Y622UV-ZALQ	COMPRESSOR R-32 (M3)	
31	50Y4929V-ZALM	COMPRESSOR R-32 (M1, M2)	
41	0151M00104	VALVE CORE	
51	0130M00410	REVERSING VALVE HARNESS	
61	0151L00009	ACCUMULATOR (M6, M7)	
61	B1226207	ACCUMULATOR (M3, M4, M5)	
61	0151R00004P	ACCUMULATOR 3/4 (M1, M2)	
71	0162R00007	MUFFLER 1/2 X 1/2	
81	0162R00056	FILTER/DRIER-BI-FLOW	
91	0151R00285	BASE VALVE 3/4", R32 (M1, M2, M3)	
91	0151R00286	BASE VALVE 7/8", R32 (M4, M5, M6, M7)	
101	0151R00287	BASE VALVE 3/8", R32	
111	0159R00021	HARNESS, COMP SCROLL (M4)	
111	0159R00002P	HARNESS, COMP SCROLL 130 46" (M5, M6, M7)	
121	0130M00088	LOW PRESSURE SWITCH	
131	0130M20002	HIGH PRESSURE SWITCH	
201	0151R00256	VALVE, ADJUSTABLE (M1, M2, M3)	
201	0151R00257	VALVE, ADJUSTABLE (M4)	
201	0151R00258	VALVE, ADJUSTABLE (M5)	
201	0151R00259	VALVE, ADJUSTABLE (M6)	
201	0151R00260	VALVE, ADJUSTABLE (M7)	
221	0130M00106	DISC THERMOSTAT(CRANKCS HTR SW)	
241	0121R00006PDG	PAINTED BASE PAN 35.5" (M1, M2, M3)	
241	0121R01090PDG	PAINTED BASE PAN 35.5" (M4, M5, M6, M7)	
261	0163R00006	HEATER, CRANKCASE 230V, 40W (M1, M2, M3, M4)	
261	0163R00007	HEATER, CRANKCASE 230V, 40W (M5, M6, M7)	
271	B1339533	COMPRESSOR GROMMET (M4, M5, M6, M7)	
271	60140209	GROMMET - RECHI COMPRESSOR (M1, M2, M3)	
281	0163M00186	SCREW-SHOULDER TF (M1, M2, M3)	
281	M0221641	SCREW-SHOULDER TF (M4, M5, M6, M7)	
361	60101127	TERMINAL COVER GASKET (M1, M2, M3)	
371	60209905	TERMINAL METAL COVER (M1, M2, M3)	
381	60100403	TERMINAL NUT - RECHI COMP (M1, M2, M3)	
NS	0151R00229	COMPENSATOR (M5)	
NS	0151R00237	COMPENSATOR (M7)	
NS	0163M00629	RED CAP WITH O-RING	
NS	B1225022	SOLENOID COIL	

## Expanded Model Nomenclature

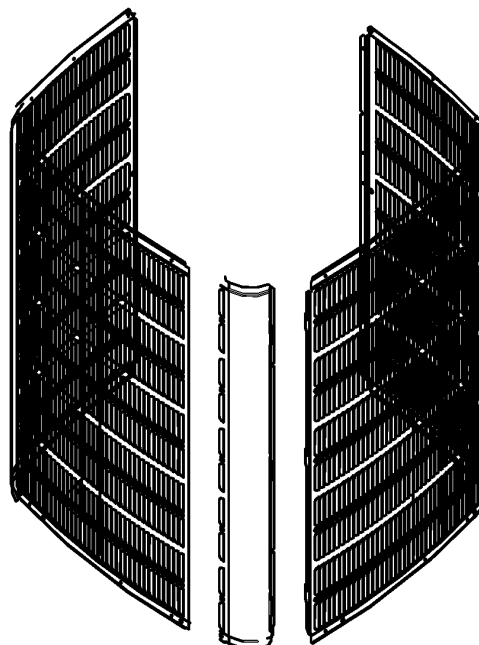
- |                    |
|--------------------|
| M1 - ALZS4NA1810AA |
| M2 - ALZS4NA2410AA |
| M3 - ALZS4NA3010AA |
| M4 - ALZS4NA3610AA |
| M5 - ALZS4NA4210AA |
| M6 - ALZS4NA4810AA |
| M7 - ALZS4NA6010AA |

# Top Panel and Louver Panel Assembly

## TOP PANEL AND LOUVER PANEL ASSEMBLY



LOUVER PANEL ASSEMBLY  
STYLE 1



LOUVER PANEL ASSEMBLY  
STYLE 2

TOP PANEL AND LOUVER PANEL ASSEMBLY MAY DIFFER FROM WHAT IS SHOWN

# Top Panel and Louver Panel Assembly

Ref. Part No:	Part No:	Description:	Ref. Part No:	Part No:	Description:
---------------	----------	--------------	---------------	----------	--------------

**Image 1:**

11	0121R00935PDG	PANEL, TOP 29. PNT (M1, M2, M3)
11	0121R00936PDG	TOP PANEL, 35. PNT (M4, M5, M6, M7)
21	0131M00807	MOTOR, 1/4HP,1SP,8PL,AL (M5, M6, M7)
21	0131M00753	MOTOR, 1/6HP, 1SP, 8PL, AL (M1, M2, M3)
21	0131M00945	MOTOR, 1/6HP, 8PL (M4)
31	0152R00025	29" GRILLE CFS (M1, M2, M3)
31	0152R00026	GRILL, WIRE 35. TOP (M4, M5, M6, M7)
41	0163M00006P	ACORN NUT 5/16 HEX BLACK (QTY 4)
51	0150M00008	FAN BLADE, 22" TNT2203-25 (M1, M2, M3)
51	0150M00066	FAN BLADE, 26" (M4, M5, M6, M7)
61	0161R00104	29" VENTURI CFS (M1, M2, M3)
61	0161R00105	35" VENTURI CFS (M4, M5, M6, M7)
71	0161R00005P	CONDUIT (M4, M5, M6, M7)
71	0161R00123	CONDUIT (M1, M2, M3)
81	0163M00004	SCREW #10 X3/4", BLK (QTY 4)
91	0154R00045	GASKET, CONTROL PANEL
111	0121R00200PLG	LOUVER, SIDE PANEL (M1, M2)
111	0121R00203PLG	LOUVER, SIDE PANEL (M3)
111	0121R00927PLG	PANEL 1, LOUVER 35_34.64 PNT (M6)
111	0121R00239PLG	PANEL 1, LOUVER 35, 5MM, PNT (M4, M5)
111	0121R00601PLG	PANEL 1, LOUVER 35_39.84 PNT (M7)
121	0121R00204PLG	LOUVER, SIDE PANEL (M1, M2)
121	0121R00206PLG	LOUVER, SIDE PANEL (M3)
121	0121R00243PLG	PANEL 2, LOUVER 35, 5MM, PNT (M4, M5)
121	0121R00928PLG	PANEL 2, LOUVER 35_34.64 PNT (M6)
121	0121R00514PLG	PANEL 2, LOUVER 35_39.84 PNT (M7)
131	0121R00193PLG	LOUVER, SIDE PANEL (M1, M2)
131	0121R00195PLG	LOUVER, SIDE PANEL (M3)
131	0121R00247PLG	PANEL 3, LOUVER 35, 5MM, PNT (M4, M5)
131	0121R00929PLG	PANEL 3, LOUVER 35_34.64 PNT (M6)
131	0121R00603PLG	PANEL 3, LOUVER 35_39.84 PNT (M7)
141	0201R00780	COIL TUBING ASSY (M6)
141	0201R00848	COIL TUBING ASSY (M1, M2)
141	0201R00850	COIL TUBING ASSY (M3)
141	0201R00851	COIL TUBING ASSY (M4)
141	0201R00852	COIL TUBING ASSY (M5)
141	0201R00859	COIL TUBING ASSY (M7)
181	0130M00250	CONTROL, DEFROST (M6, M7)
181	0130M00884	CONTROL, DEFROST (M1, M2, M3, M4, M5)
NS	0161R00117	CAP, AMANA
NS	0163M00005P	WASHER, BLACK (.50 OD .218ID) (QTY 4)

**Expanded Model Nomenclature**

- |                    |
|--------------------|
| M1 - ALZS4NA1810AA |
| M2 - ALZS4NA2410AA |
| M3 - ALZS4NA3010AA |
| M4 - ALZS4NA3610AA |
| M5 - ALZS4NA4210AA |
| M6 - ALZS4NA4810AA |
| M7 - ALZS4NA6010AA |