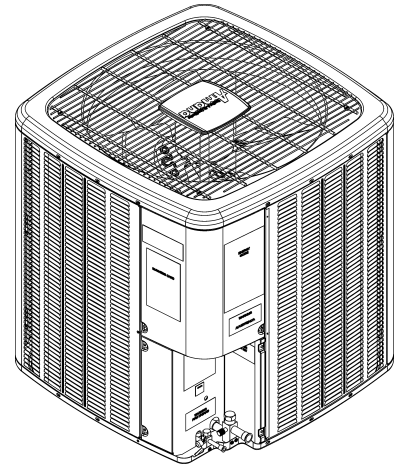


## ALZS4BA Remote Heat Pump

ALZS4BA1810AA  
ALZS4BA2410AA  
ALZS4BA3010AA  
ALZS4BA3610AA  
ALZS4BA4210AA  
ALZS4BA4810AA  
ALZS4BA6010AA



Amana® is a registered trademark of Maytag Corporation or its related companies and is used under license. All rights reserved.

This manual is to be used by qualified technicians only.

# Important Information

---

## Index

Functional Parts List .....	3
Illustration and Parts .....	4 - 9

*Views shown are for parts illustrations only, not servicing procedures.*

### Text Codes:

AR - As Required

NA - Not Available

NS - Not Shown

00000000 - See Note

QTY - Quantity Example (QTY 3) (If Quantity not shown, Quantity = 1)

M - Model Example (M1) (If M Code not shown, then part is used on all Models)

### Expanded Model Nomenclature:

Example
M1 - Model#1
M2 - Model#2
M3 - Model#3

Goodman Company, L.P. is not responsible for personal injury or property damage resulting from improper service. Review all service information before beginning repairs.

Warranty service must be performed by an authorized technician, using authorized factory parts. If service is required after the warranty expires, Goodman Company, L.P. also recommends contacting an authorized technician and using authorized factory parts.

Goodman Company, L.P. reserves the right to discontinue, or change at any time, specifications or designs without notice or without incurring obligations.

For assistance within the U.S.A. contact:

Homeowner Support  
Goodman Company, L.P.  
19001 Kermier Road  
Waller, Texas 77484  
877-254-4729-Telephone  
713-863-2382-Facsimile

For assistance outside the U.S.A. contact:

International Division  
Goodman Company, L.P.  
19001 Kermier Road  
Waller, Texas 77484  
713-861-2500-Telephone  
713-863-2382-Facsimile

# Functional Parts

## Part

## No: Description:

---

0151R00287	BASE VALVE 3/8", R32
CAB050300440CS	CAP, 5/30 MFD/440V RD - BPRF (M2)
CAB050350440CS	CAP, 5/35 MFD/440V RD - BPRF (M1)
CAB050400440CT	CAP, 5/40 MFD/440V RD - BPRF (M3, M4)
CAB050450440CT	CAP, 5/45 MFD/440V RD - BPRF (M5, M6)
CAB050800440CT	CAP, 5/80 MFD/440V RD - BPRF (M7)
YP14K1TPFVASE	COMPRESSOR (M1)
YP20K1TPFVASE	COMPRESSOR (M2)
YP25K1TPFVASE	COMPRESSOR (M3)
YP31K1TPFVASE	COMPRESSOR (M4)
YP34K1TPFVASC	COMPRESSOR (M5)
YP40K1TPFVASC	COMPRESSOR (M6)
YP51K1TPFVASC	COMPRESSOR (M7)
CONT1P030024D	CONT, 1 POLE, 30 AMP, 24VAC
0130M00884	CONTROL, DEFROST (M1, M2, M3, M4, M5)
0130M00250	CONTROL, DEFROST (M6, M7)
571006700	CoreSense Module
0130M00106	DISC THERMOSTAT(CRANKCS HTR SW)
0163R00007	HEATER, CRANKCASE 230V, 40W (M5, M6, M7)
0163R00006	HEATER, CRANKCASE 230V, 40W (M1, M2, M3, M4)
0130M20002	HIGH PRESSURE SWITCH
0130M00088	LOW PRESSURE SWITCH
0131M00807	MOTOR, 1/4HP, 1SP, 8PL, AL (M5, M6, M7)
0131M00753	MOTOR, 1/6HP, 1SP, 8PL, AL (M1, M2, M3)
0131M00945	MOTOR, 1/6HP, 8PL (M4)
PCBDM133	PCB, DEFROST CONTROL
0151R00071	REVERSING VALVE (M5, M6, M7)
0151R00288	REVERSING VALVE (M1, M2, M3, M4)
B1225022	SOLENOID COIL
0151R00257	VALVE, ADJUSTABLE (M4)
0151R00260	VALVE, ADJUSTABLE (M7)
0151R00259	VALVE, ADJUSTABLE (M6)
0151R00258	VALVE, ADJUSTABLE (M5)
0151R00255	VALVE, ADJUSTABLE (M1)
0151R00256	VALVE, ADJUSTABLE (M2, M3)

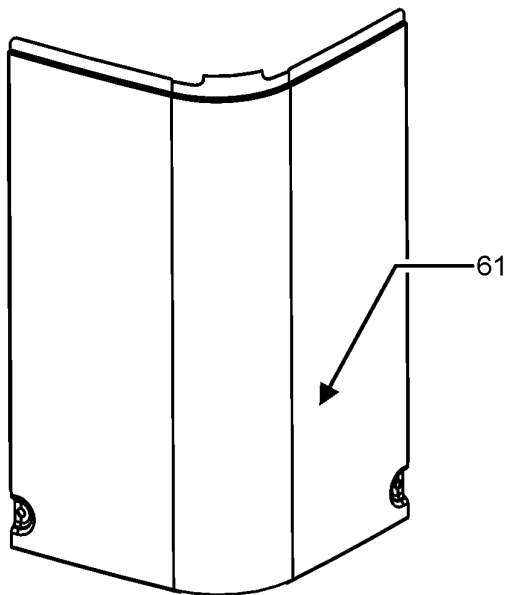
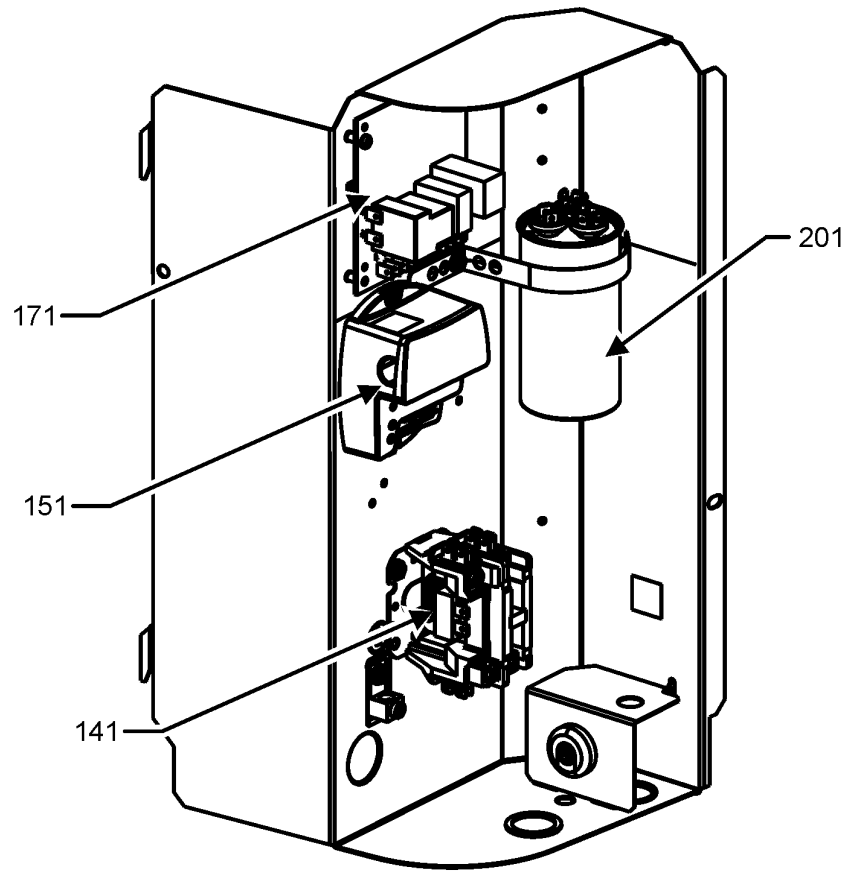
### Expanded Model Nomenclature

M1 - ALZS4BA1810AA
M2 - ALZS4BA2410AA
M3 - ALZS4BA3010AA
M4 - ALZS4BA3610AA
M5 - ALZS4BA4210AA
M6 - ALZS4BA4810AA
M7 - ALZS4BA6010AA

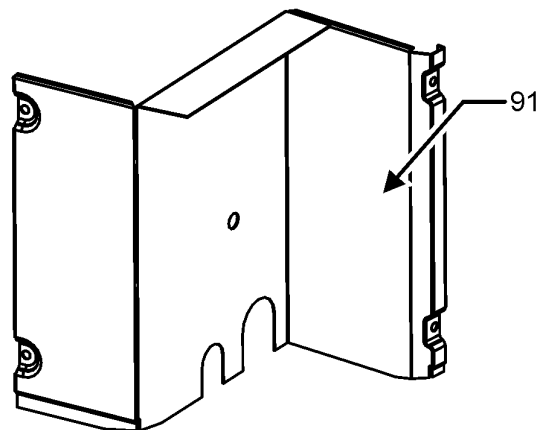
0161R00117	CAP, AMANA
0161R00087	NAMEPLATE, AMANA LOGO

# Control Panel Assembly

## CONTROL PANEL ASSEMBLY



CONTROL PANEL COVER



LOWER ACCESS PANEL

CONTROL PANEL ASSEMBLY MAY DIFFER FROM WHAT IS SHOWN

# Control Panel Assembly

Ref. Part No:	No:	Description:	Ref. Part No:	No:	Description:
---------------	-----	--------------	---------------	-----	--------------

---

## Image 1:

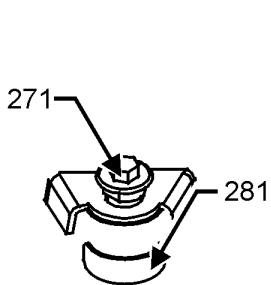
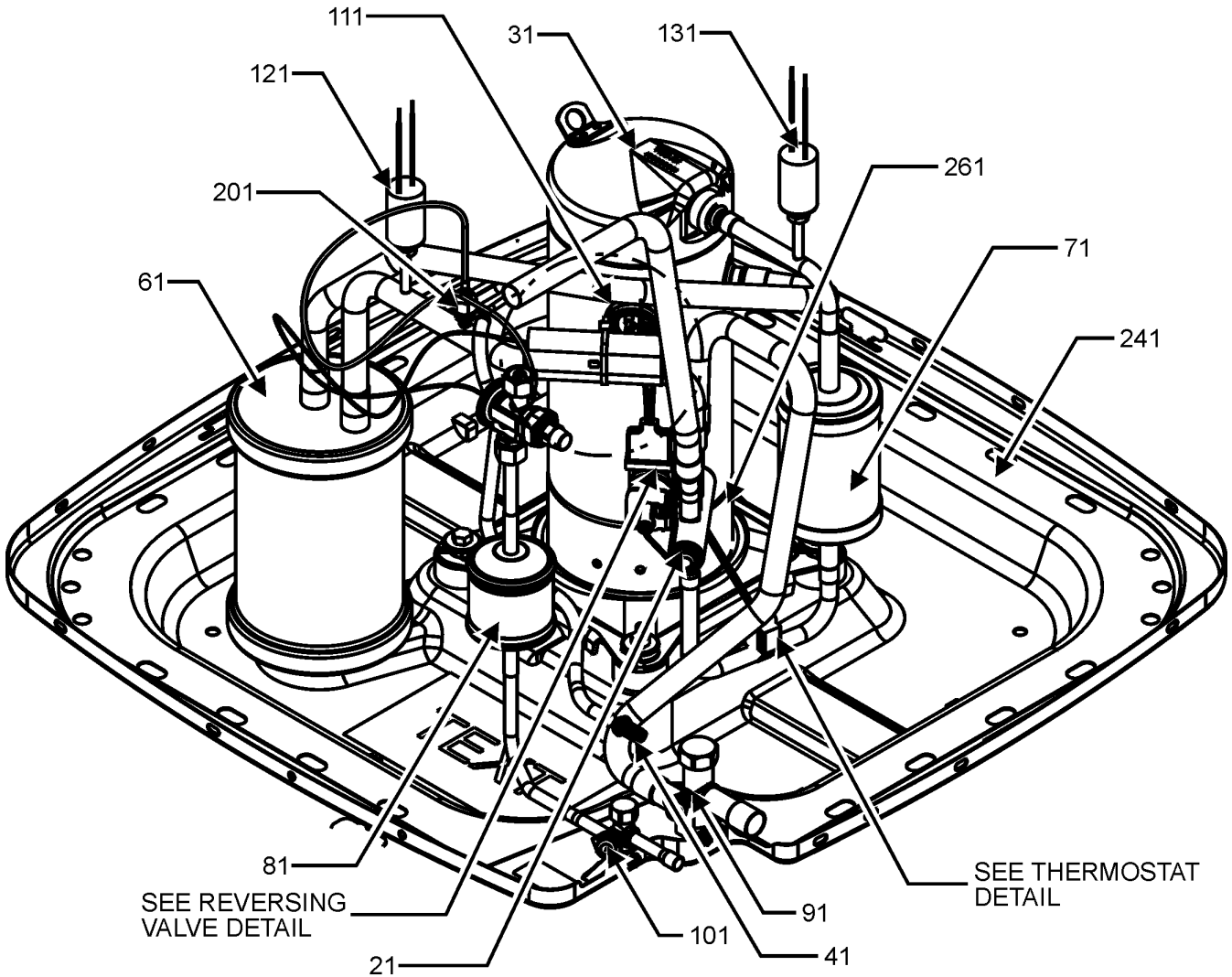
61	0121R00937PDG	CONTROL COVER, PNT
91	0121R00909PDG	PNL, LWR ACCESS (M3)
91	0121R00912PDG	PNL, LWR ACCESS (M4, M5)
91	0121R00916PDG	PNL, LWR ACCESS (M7)
91	0121R00917PDG	PNL, LWR ACCESS (M6)
91	0121R00919PDG	PNL, LWR ACCESS (M1, M2)
141	CONT1P030024D	CONT, 1 POLE, 30 AMP, 24VAC
151	571006700	CoreSense Module
171	PCBDM133	PCB, DEFROST CONTROL
201	CAB050300440CS	CAP, 5/30 MFD/440V RD - BPRF (M2)
201	CAB050350440CS	CAP, 5/35 MFD/440V RD - BPRF (M1)
201	CAB050400440CT	CAP, 5/40 MFD/440V RD - BPRF (M3, M4)
201	CAB050450440CT	CAP, 5/45 MFD/440V RD - BPRF (M5, M6)
201	CAB050800440CT	CAP, 5/80 MFD/440V RD - BPRF (M7)
NS	4400065	CAPACITOR STRAP
NS	0161R00087	NAMEPLATE, AMANA LOGO

## Expanded Model Nomenclature

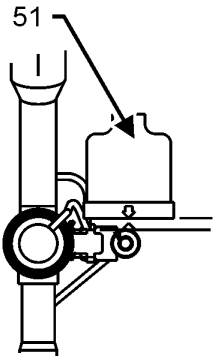
M1 - ALZS4BA1810AA
M2 - ALZS4BA2410AA
M3 - ALZS4BA3010AA
M4 - ALZS4BA3610AA
M5 - ALZS4BA4210AA
M6 - ALZS4BA4810AA
M7 - ALZS4BA6010AA

# Coil Tubing and Compressor Assembly

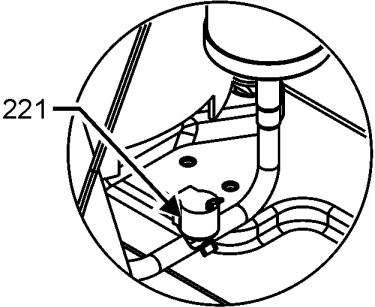
## COIL TUBING AND COMPRESSOR ASSEMBLY



COMPRESSOR MOUNTING  
DETAIL



REVERSING VALVE DETAIL



THERMOSTAT DETAIL

COIL TUBING AND COMPRESSOR ASSEMBLY MAY DIFFER FROM WHAT IS SHOWN

# Coil Tubing and Compressor Assembly

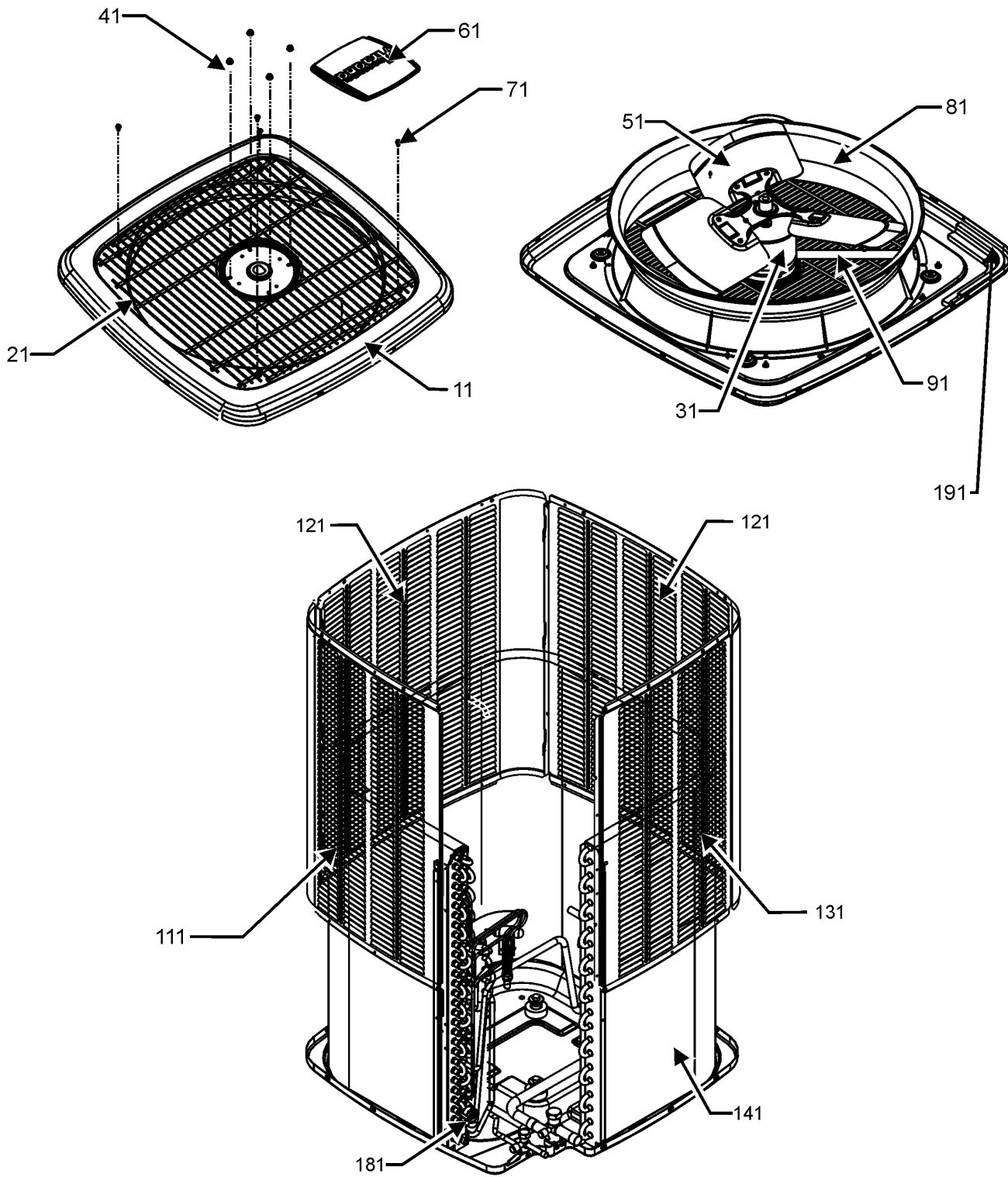
Ref. Part No:	Ref. Part No:	Description:	Description:
<b>Image 1:</b>			
21	0151R00071	REVERSING VALVE (M5, M6, M7)	
21	0151R00288	REVERSING VALVE (M1, M2, M3, M4)	
31	YP14K1TPFVASE	COMPRESSOR (M1)	
31	YP20K1TPFVASE	COMPRESSOR (M2)	
31	YP25K1TPFVASE	COMPRESSOR (M3)	
31	YP31K1TPFVASE	COMPRESSOR (M4)	
31	YP34K1TPFVASC	COMPRESSOR (M5)	
31	YP40K1TPFVASC	COMPRESSOR (M6)	
31	YP51K1TPFVASC	COMPRESSOR (M7)	
41	0151M00104	VALVE CORE	
51	0130M00410	REVERSING VALVE HARNESS	
61	0151L00009	ACCUMULATOR (M6, M7)	
61	B1226207	ACCUMULATOR (M3, M4, M5)	
61	0151R00004P	ACCUMULATOR 3/4 (M1, M2)	
71	0162R00007	MUFFLER 1/2 X 1/2	
81	0162R00056	FILTER/DRIER-BI-FLOW	
91	0151R00285	BASE VALVE 3/4", R32 (M1, M2, M3)	
91	0151R00286	BASE VALVE 7/8", R32 (M4, M5, M6, M7)	
101	0151R00287	BASE VALVE 3/8", R32	
111	0159R00001P	HARNESS, COMP SCROLL 130 42" (M1, M2, M3)	
111	0159R00002P	HARNESS, COMP SCROLL 130 46" (M4, M5, M6, M7)	
121	0130M00088	LOW PRESSURE SWITCH	
131	0130M20002	HIGH PRESSURE SWITCH	
201	0151R00255	VALVE, ADJUSTABLE (M1)	
201	0151R00256	VALVE, ADJUSTABLE (M2, M3)	
201	0151R00257	VALVE, ADJUSTABLE (M4)	
201	0151R00258	VALVE, ADJUSTABLE (M5)	
201	0151R00259	VALVE, ADJUSTABLE (M6)	
201	0151R00260	VALVE, ADJUSTABLE (M7)	
221	0130M00106	DISC THERMOSTAT(CRANKCS HTR SW)	
241	0121R00006PDG	BASE PAN, 29" PNT (M1, M2, M3)	
241	0121R00007PDG	BASE PAN, 35.5" PNT (M4)	
241	0121R01090PDG	PAINTED BASE PAN 35.5" (M5, M6, M7)	
261	0163R00006	HEATER, CRANKCASE 230V, 40W (M1, M2, M3, M4)	
261	0163R00007	HEATER, CRANKCASE 230V, 40W (M5, M6, M7)	
271	B1339533	COMPRESSOR GROMMET (QTY 4)	
281	M0221641	TF SHOULDER SCREW (QTY 4)	
NS	0151R00229	COMPENSATOR (M5)	
NS	0151R00237	COMPENSATOR (M7)	
NS	0160M00035	COMPRESSOR BLANKET (M1, M2, M3, M4)	
NS	0160M00039	COMPRESSOR BLANKET (M5, M6, M7)	
NS	0163M00629	RED CAP WITH O-RING	
NS	B1225022	SOLENOID COIL	

## Expanded Model Nomenclature

M1 - ALZS4BA1810AA
M2 - ALZS4BA2410AA
M3 - ALZS4BA3010AA
M4 - ALZS4BA3610AA
M5 - ALZS4BA4210AA
M6 - ALZS4BA4810AA
M7 - ALZS4BA6010AA

# Top Panel and Louver Panel Assembly

## TOP PANEL AND LOUVER PANEL ASSEMBLY



TOP PANEL AND LOUVER PANEL ASSEMBLY MAY DIFFER FROM WHAT IS SHOWN

# Top Panel and Louver Panel Assembly

Ref. Part No:	Ref. Part No:	Description:	Description:
---------------	---------------	--------------	--------------

**Image 1:**

11	0121R00935PDG	PANEL, TOP 29. PNT (M1, M2, M3)
11	0121R00936PDG	TOP PANEL, 35. PNT (M4, M5, M6, M7)
21	0152R00025	29" GRILLE CFS (M1, M2, M3)
21	0152R00026	GRILL, WIRE 35. TOP (M4, M5, M6, M7)
31	0131M00807	MOTOR, 1/4HP,1SP,8PL,AL (M5, M6, M7)
31	0131M00753	MOTOR, 1/6HP, 1SP, 8PL, AL (M1, M2, M3)
31	0131M00945	MOTOR, 1/6HP, 8PL (M4)
41	0163M00006P	NUT, ACORN 5/16 HEX BLACK (QTY 4)
51	0150M00008	FAN BLADE, 22" TNT2203-25 (M1, M2, M3)
51	0150M00066	FAN BLADE, 26" (M4, M5, M6, M7)
61	0161R00117	CAP, AMANA
71	0163M00003P	SCREW #10 X 1/2, A, SLOT, SR, BLACK (QTY 4)
81	0161R00104	29" VENTURI CFS (M1, M2, M3)
81	0161R00105	35" VENTURI CFS (M4, M5, M6, M7)
91	0161R00005P	CONDUIT (M4, M5, M6, M7)
91	0161R00123	CONDUIT (M1, M2, M3)
111	0121R00200PLG	LOUVER, SIDE PANEL (M1, M2)
111	0121R00203PLG	LOUVER, SIDE PANEL (M3)
111	0121R00927PLG	PANEL 1, LOUVER 35_34.64 PNT (M6)
111	0121R00239PLG	PANEL 1, LOUVER 35, 5MM, PNT (M4, M5)
111	0121R00601PLG	PANEL 1, LOUVER 35_39.84 PNT (M7)
121	0121R00204PLG	LOUVER, SIDE PANEL (M1, M2)
121	0121R00206PLG	LOUVER, SIDE PANEL (M3)
121	0121R00243PLG	PANEL 2, LOUVER 35, 5MM, PNT (M4, M5)
121	0121R00928PLG	PANEL 2, LOUVER 35_34.64 PNT (M6)
121	0121R00514PLG	PANEL 2, LOUVER 35_39.84 PNT (M7)
131	0121R00193PLG	LOUVER, SIDE PANEL (M1, M2)
131	0121R00195PLG	LOUVER, SIDE PANEL (M3)
131	0121R00247PLG	PANEL 3, LOUVER 35, 5MM, PNT (M4, M5)
131	0121R00929PLG	PANEL 3, LOUVER 35_34.64 PNT (M6)
131	0121R00603PLG	PANEL 3, LOUVER 35_39.84 PNT (M7)
141	0201R00780	COIL TUBING ASSY (M6)
141	0201R00848	COIL TUBING ASSY (M1, M2)
141	0201R00850	COIL TUBING ASSY (M3)
141	0201R00851	COIL TUBING ASSY (M4)
141	0201R00852	COIL TUBING ASSY (M5)
141	0201R00859	COIL TUBING ASSY (M7)
181	0130M00250	CONTROL, DEFROST (M6, M7)
181	0130M00884	CONTROL, DEFROST (M1, M2, M3, M4, M5)
191	0154R00045	GASKET, CONTROL PANEL
NS	0163M00005P	WASHER, BLACK (.50 OD .218ID) (QTY 4)

**Expanded Model Nomenclature**

- |                    |
|--------------------|
| M1 - ALZS4BA1810AA |
| M2 - ALZS4BA2410AA |
| M3 - ALZS4BA3010AA |
| M4 - ALZS4BA3610AA |
| M5 - ALZS4BA4210AA |
| M6 - ALZS4BA4810AA |
| M7 - ALZS4BA6010AA |