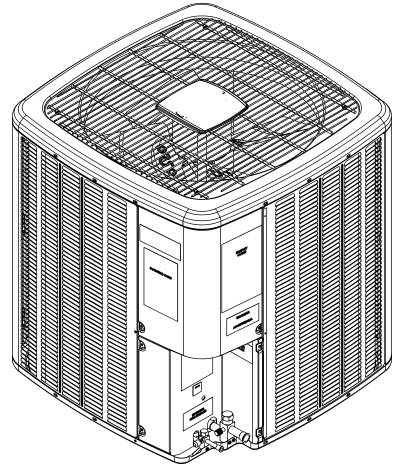


## ALXS5BA Remote Air Conditioner

ALXS5BA1810AA  
ALXS5BA2410AA  
ALXS5BA3010AA  
ALXS5BA3610AA  
ALXS5BA4210AA  
ALXS5BA4810AA  
ALXS5BA6010AA



Amana® is a registered trademark of Maytag Corporation or its related companies and is used under license. All rights reserved.

This manual is to be used by qualified technicians only.

© 2024 Goodman Company, L.P. ♦ 19001 Kermier Rd. ♦ Waller, TX 77484

# Important Information

---

## Index

Functional Parts List .....	3
Illustration and Parts .....	4 - 9

*Views shown are for parts illustrations only, not servicing procedures.*

### Text Codes:

AR - As Required

NA - Not Available

NS - Not Shown

00000000 - See Note

QTY - Quantity Example (QTY 3) (If Quantity not shown, Quantity = 1)

M - Model Example (M1) (If M Code not shown, then part is used on all Models)

### Expanded Model Nomenclature:

Example
M1 - Model#1
M2 - Model#2
M3 - Model#3

Goodman Company, L.P. is not responsible for personal injury or property damage resulting from improper service. Review all service information before beginning repairs.

Warranty service must be performed by an authorized technician, using authorized factory parts. If service is required after the warranty expires, Goodman Company, L.P. also recommends contacting an authorized technician and using authorized factory parts.

Goodman Company, L.P. reserves the right to discontinue, or change at any time, specifications or designs without notice or without incurring obligations.

For assistance within the U.S.A. contact:

Homeowner Support  
Goodman Company, L.P.  
19001 Kermier Road  
Waller, Texas 77484  
877-254-4729-Telephone  
713-863-2382-Facsimile

For assistance outside the U.S.A. contact:

International Division  
Goodman Company, L.P.  
19001 Kermier Road  
Waller, Texas 77484  
713-861-2500-Telephone  
713-863-2382-Facsimile

# Functional Parts

## Part

## No: Description:

---

0151R00285	BASE VALVE 3/4", R32 (M1, M2, M3)
0151R00287	BASE VALVE 3/8", R32
0151R00286	BASE VALVE 7/8", R32 (M4, M5, M6, M7)
0150M00012	BLADE-FAN 20" CCW (M1)
CAB050300440CS	CAP, 5/30 MFD/440V RD - BPRF (M2)
CAB050350440CS	CAP, 5/35 MFD/440V RD - BPRF (M1)
CAB050400440CT	CAP, 5/40 MFD/440V RD - BPRF (M3, M4, M7)
CAB050450440CT	CAP, 5/45 MFD/440V RD - BPRF (M5, M6)
YPS51K1TPFVASC	COMPRESSOR (M7)
YP20K1TPFVASE	COMPRESSOR (M2)
YP24K1TPFVASE	COMPRESSOR (M3)
YP29K1TPFVASE	COMPRESSOR (M4)
YP40K1TPFVASC	COMPRESSOR (M6)
YP14K1TPFVASE	COMPRESSOR (M1)
YP34K1TPFVASC	COMPRESSOR (M5)
CONT1P030024D	CONT, 1 POLE, 30 AMP, 24VAC (M1, M2, M3, M4, M5, M6)
CONT2P040024D	CONT, 2 POLE, 40 AMP, 24VAC (M7)
571006600	CoreSense Module
0130M00106	DISC THERMOSTAT CRNKCS HTR SW (M5, M6, M7)
0150M00008	FAN BLADE, 22" TNT2203-25 (M2)
0150M00054	FAN BLADE, 26" (M3, M4, M5, M6, M7)
0163R00007	HEATER, CRANKCASE 230V, 40W (M5, M6, M7)
0130M00082	LOW PRESSURE SWITCH (M1)
0131M00807	MOTOR, 1/4HP, 1SP, 8PL, AL (M5, M6)
0131M00753	MOTOR, 1/6HP, 1SP, 8PL, AL (M2, M3, M4)
0131M00969	MOTOR, 1/8HP, 8PL, PSC (M1)
0131M01012	MOTOR, ECM (M7)
0130M20000	SWITCH, HIGH PRESSURE (M1)
0130M20002	SWITCH, HIGH PRESSURE (M2, M3, M4, M5, M6, M7)
0130M00821	SWITCH, LOW PRESSURE (M2, M3, M4, M5, M6, M7)

### SPECIAL PARTS

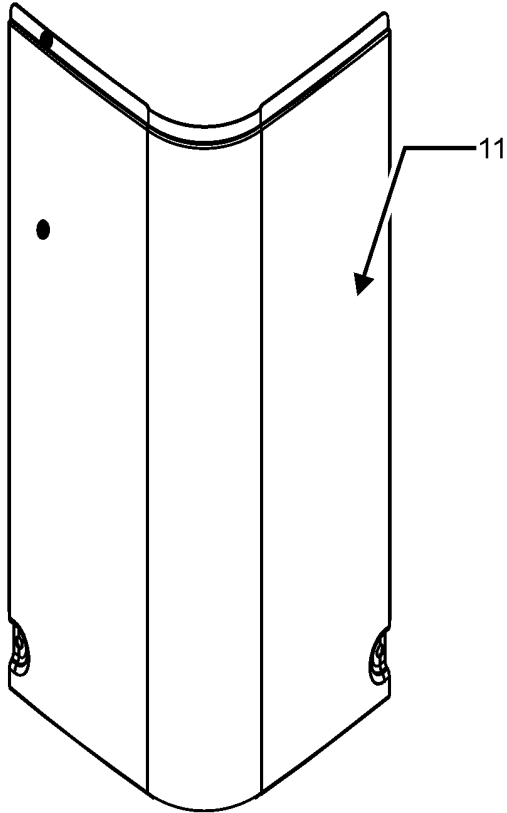
0161R00086	CAP, GRILL
0161R00087	NAMEPLATE, AMANA LOGO

### Expanded Model Nomenclature

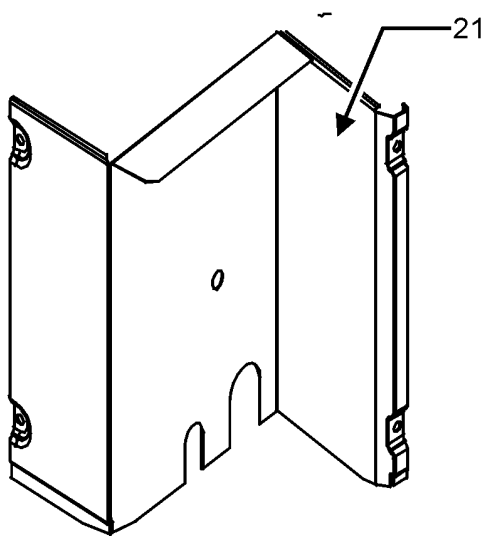
M1 - ALXS5BA1810AA
M2 - ALXS5BA2410AA
M3 - ALXS5BA3010AA
M4 - ALXS5BA3610AA
M5 - ALXS5BA4210AA
M6 - ALXS5BA4810AA
M7 - ALXS5BA6010AA

# Control Panel Assembly

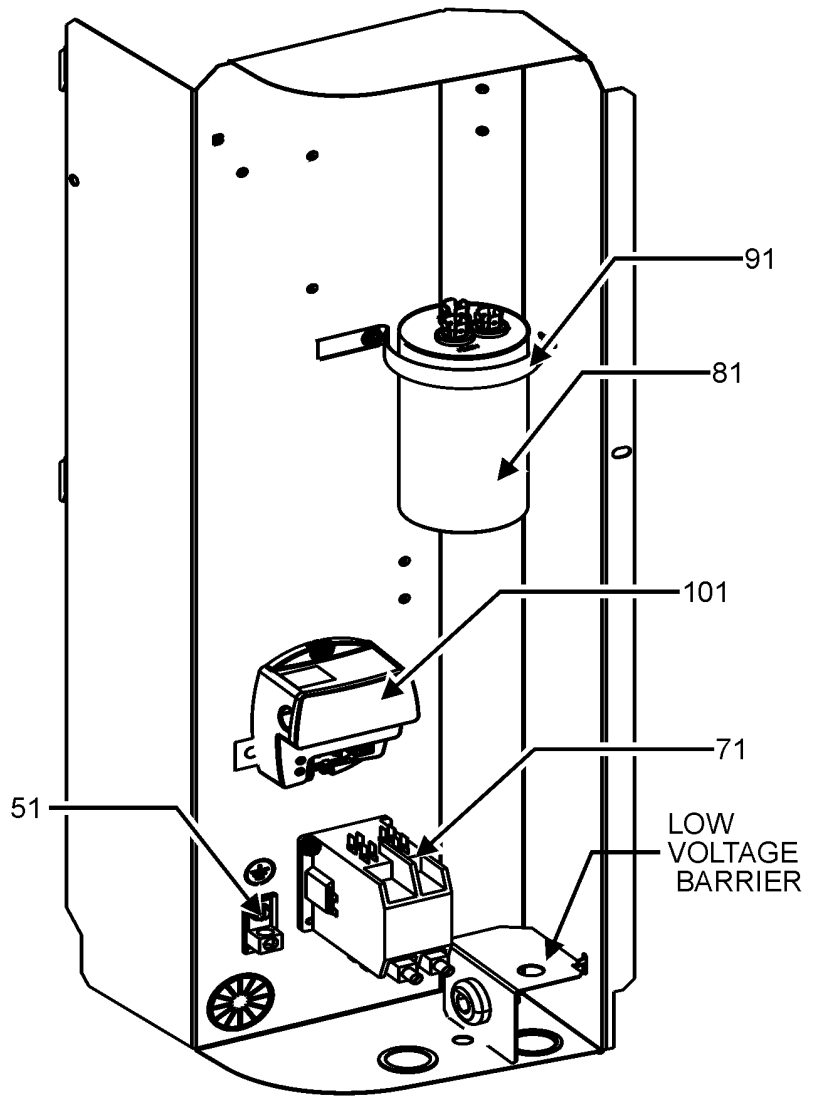
## CONTROL PANEL ASSEMBLY



CONTROL COVER PANEL



LOWER ACCESS PANEL



CONTROL PANEL

CONTROL PANEL ASSEMBLY MAY DIFFER FROM WHAT IS SHOWN

# Control Panel Assembly

Ref. Part No:	Ref. Part No:	Description:	Description:
---------------	---------------	--------------	--------------

**Image 1:**

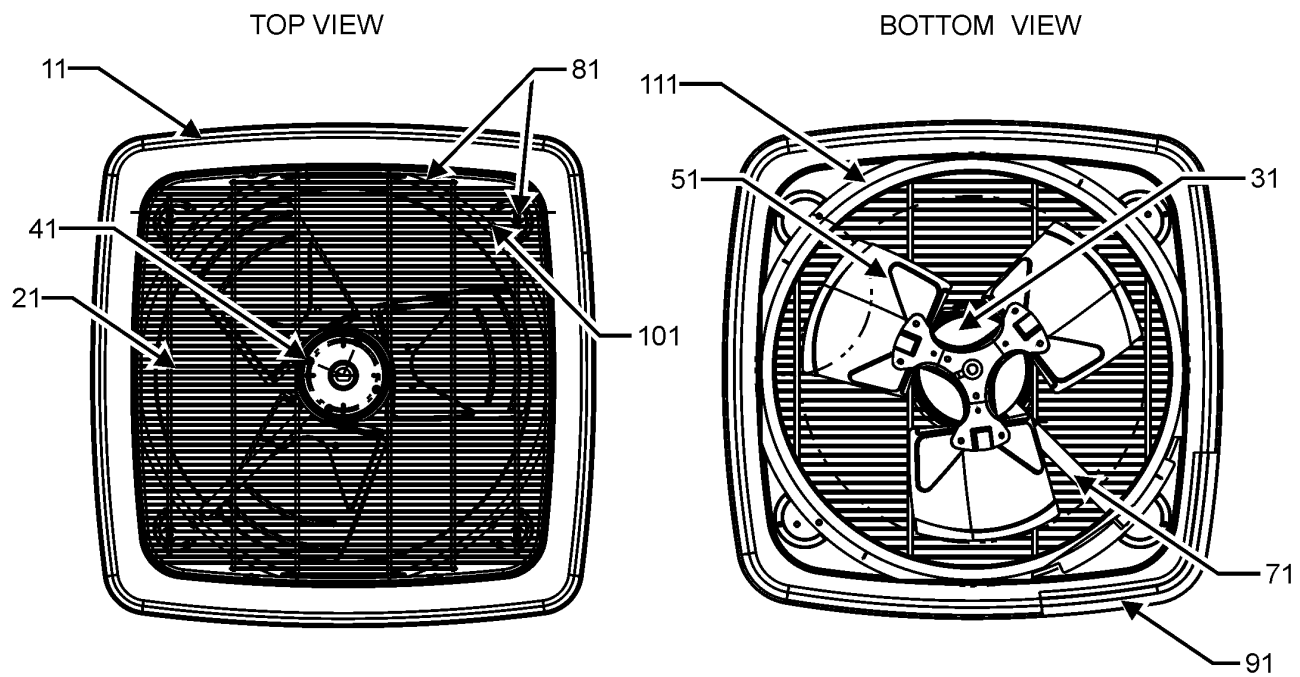
11	0121R00937PDG	CONTROL COVER, PNT
21	0121R00909PDG	PNL, LWR ACCESS (M3, M4)
21	0121R00915PDG	PNL, LWR ACCESS (M1)
21	0121R00916PDG	PNL, LWR ACCESS (M7)
21	0121R00917PDG	PNL, LWR ACCESS (M5, M6)
21	0121R00919PDG	PNL, LWR ACCESS (M2)
51	B1378533	LUG GROUND SMALL 4T
71	CONT1P030024D	CONT, 1 POLE, 30 AMP, 24VAC (M1, M2, M3, M4, M5, M6)
71	CONT2P040024D	CONT, 2 POLE, 40 AMP, 24VAC (M7)
81	CAB050300440CS	CAP, 5/30 MFD/440V RD - BPRF (M2)
81	CAB050350440CS	CAP, 5/35 MFD/440V RD - BPRF (M1)
81	CAB050400440CT	CAP, 5/40 MFD/440V RD - BPRF (M3, M4, M7)
81	CAB050450440CT	CAP, 5/45 MFD/440V RD - BPRF (M5, M6)
91	4400065	CAPACITOR STRAP
101	571006600	CoreSense Module
NS	0161R00087	NAMEPLATE, AMANA LOGO

**Expanded Model Nomenclature**

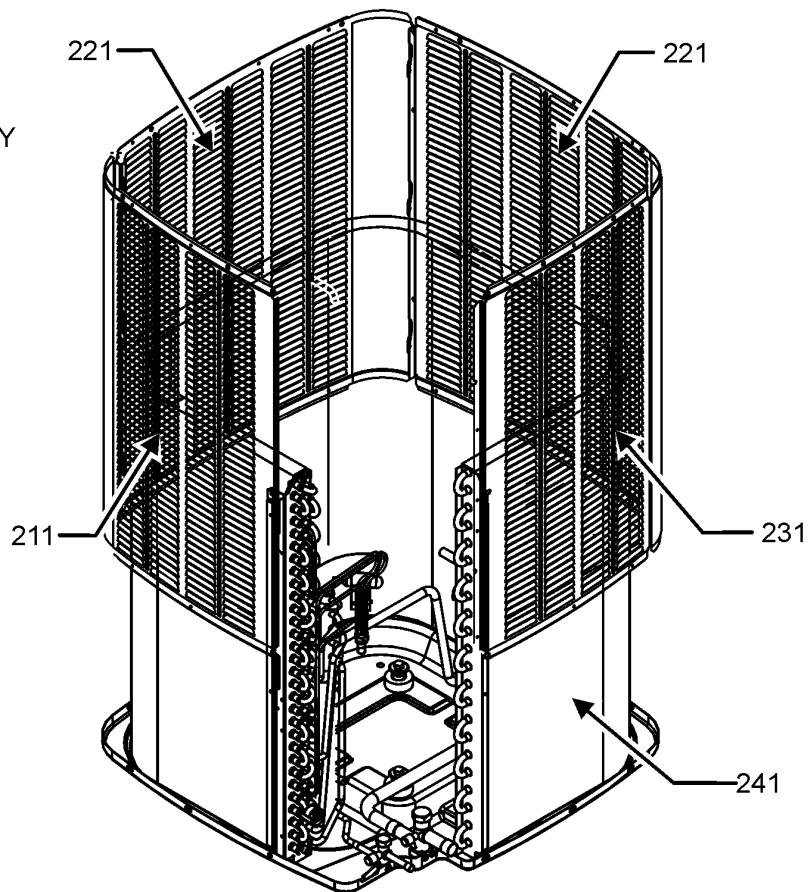
- M1 - ALXS5BA1810AA
- M2 - ALXS5BA2410AA
- M3 - ALXS5BA3010AA
- M4 - ALXS5BA3610AA
- M5 - ALXS5BA4210AA
- M6 - ALXS5BA4810AA
- M7 - ALXS5BA6010AA

# Top Panel and Louver Assembly

## TOP PANEL AND LOUVER ASSEMBLY



## LOUVER ASSEMBLY



TOP PANEL AND LOUVER ASSEMBLY MAY DIFFER FROM WHAT IS SHOWN

# Top Panel and Louver Assembly

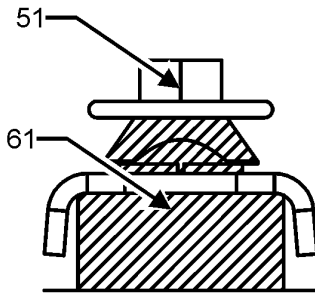
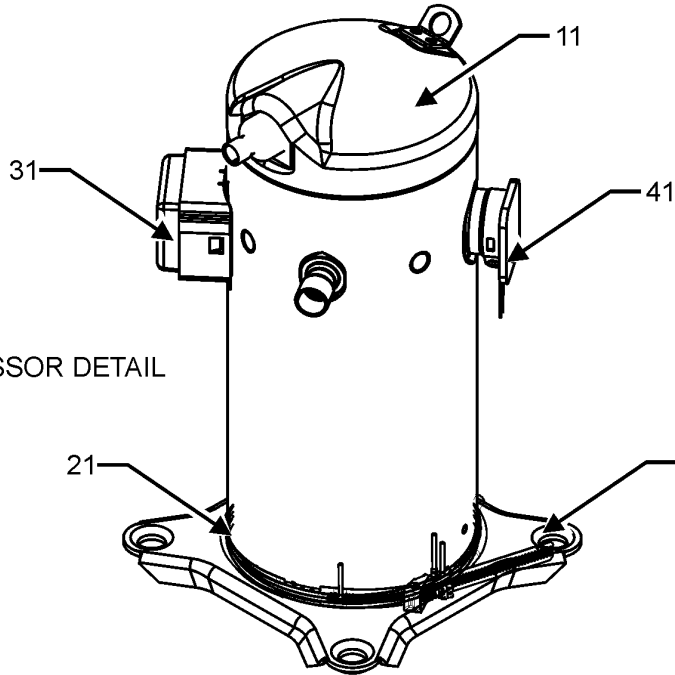
Ref. Part No:	Ref. Part No:	Description:	Description:
<b>Image 1:</b>			
11	0121R00931PDG	PANEL, TOP 26. PNT (M1)	
11	0121R00935PDG	PANEL, TOP 29. PNT (M2)	
11	0121R00936PDG	TOP PANEL, 35. PNT (M3, M4, M5, M6, M7)	
21	0152R00021	26" GRILLE CFS (M1)	
21	0152R00022	29" GRILLE CFS (M2)	
21	0152R00023	GRILL, WIRE 35. TOP (M3, M4, M5, M6, M7)	
31	0131M00807	MOTOR, 1/4HP, 1SP, 8PL, AL (M5, M6)	
31	0131M00753	MOTOR, 1/6HP, 1SP, 8PL, AL (M2, M3, M4)	
31	0131M00969	MOTOR, 1/8HP, 8PL, PSC (M1)	
31	0131M01012	MOTOR, ECM (M7)	
41	M0280801	HEX NUT (QTY 4)	
51	0150M00012	BLADE-FAN 20" CCW (M1)	
51	0150M00008	FAN BLADE, 22" TNT2203-25 (M2)	
51	0150M00054	FAN BLADE, 26" (M3, M4, M5, M6, M7)	
71	0161R00005P	CONDUIT (M3, M4, M5, M6)	
71	0161R00122	CONDUIT (M1)	
71	0161R00123	CONDUIT (M2)	
71	0163M00385	CONDUIT-FLEXIBLE (M7)	
81	0163M00003P	SCREW #10 X 1/2, A, SLOT, SR, BLACK (QTY 6)	
91	0154R00045	GASKET CONTROL PANEL	
101	0163M00004	SCREW #10X3/4" BLK (QTY 4)	
111	0161R00103	26" VENTURI CFS (M1)	
111	0161R00104	29" VENTURI CFS (M2)	
111	0161R00105	35" VENTURI CFS (M3, M4, M5, M6, M7)	
211	0121R00196PLG	LOUVER, SIDE PANEL (M1)	
211	0121R00200PLG	LOUVER, SIDE PANEL (M2)	
211	0121R00927PLG	PANEL 1, LOUVER 35_34.64 PNT (M5, M6)	
211	0121R00240PLG	PANEL 1, LOUVER 35 (M3, M4)	
211	0121R00601PLG	PANEL 1, LOUVER 35_39.84 PNT (M7)	
221	0121R00198PLG	LOUVER, SIDE PANEL (M1)	
221	0121R00204PLG	LOUVER, SIDE PANEL (M2)	
221	0121R00244PLG	PANEL 2, LOUVER 35 (M3, M4)	
221	0121R00928PLG	PANEL 2, LOUVER 35_34.64 PNT (M5, M6)	
221	0121R00514PLG	PANEL 2, LOUVER 35_39.84 PNT (M7)	
231	0121R00193PLG	LOUVER, SIDE PANEL (M2)	
231	0121R00207PLG	LOUVER, SIDE PANEL (M1)	
231	0121R00248PLG	PANEL 3, LOUVER 35 (M3, M4)	
231	0121R00929PLG	PANEL 3, LOUVER 35_34.64 PNT (M5, M6)	
231	0121R00603PLG	PANEL 3, LOUVER 35_39.84 PNT (M7)	
241	0201R00296	COIL TUBING ASSEMBLY (M2)	
241	0201R00433	COIL TUBING ASSY (M3, M4)	
241	0201R00718	COIL TUBING ASSY (M7)	
241	0201R00732	COIL TUBING ASSY (M5, M6)	
241	0201R00860	COIL TUBING ASSY (M1)	
NS	0161R00086	CAP, GRILL	

## Expanded Model Nomenclature

M1 - ALXS5BA1810AA
M2 - ALXS5BA2410AA
M3 - ALXS5BA3010AA
M4 - ALXS5BA3610AA
M5 - ALXS5BA4210AA
M6 - ALXS5BA4810AA
M7 - ALXS5BA6010AA

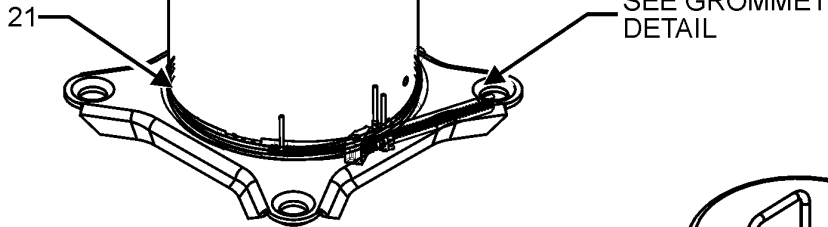
# Compressor and Tubing Assembly

TUBING ASSEMBLY



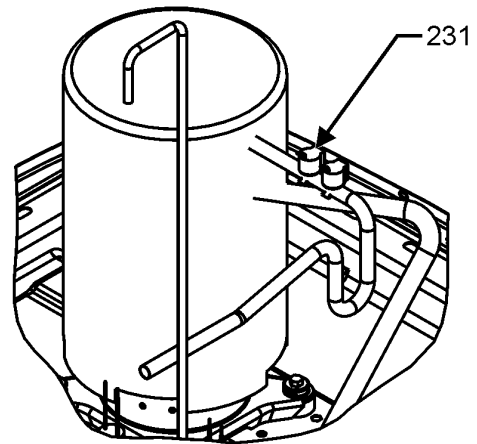
GROMMET DETAIL

COMPRESSOR DETAIL

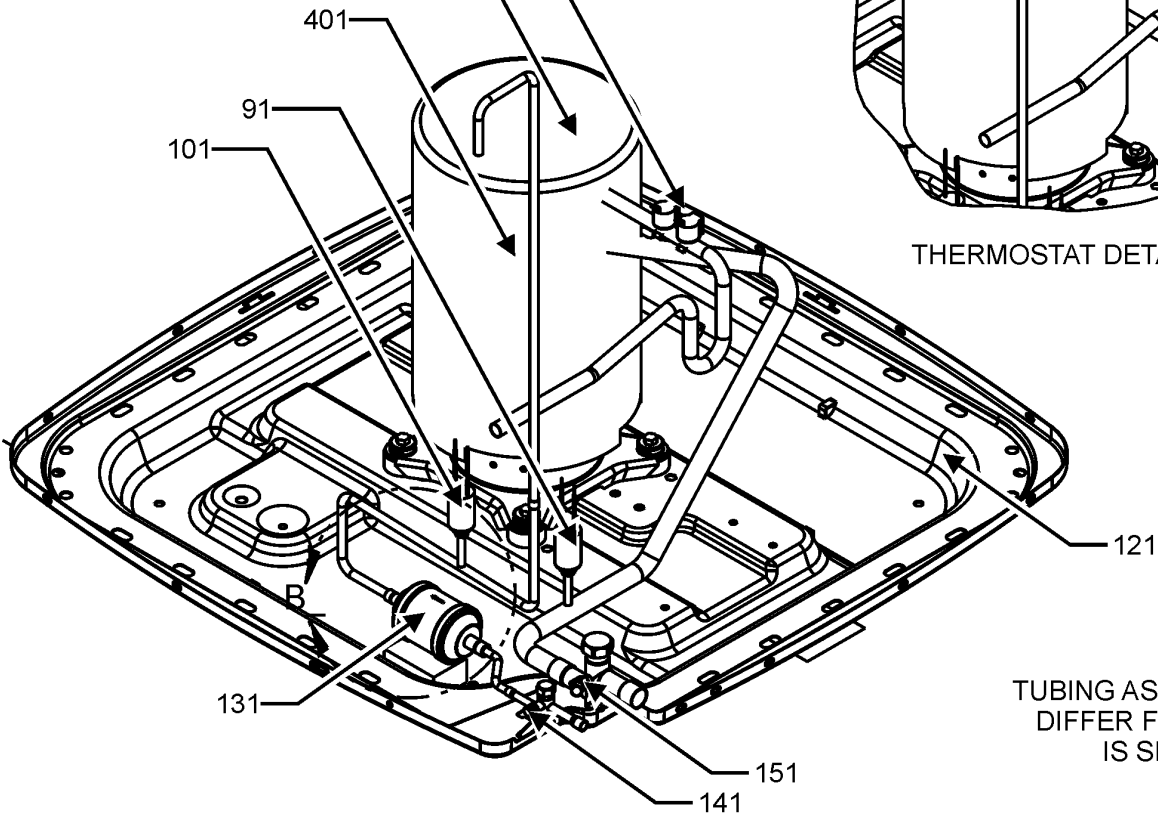


SEE THERMOSTAT DETAIL

SEE COMPRESSOR DETAIL



THERMOSTAT DETAIL



TUBING ASSEMBLY MAY DIFFER FROM WHAT IS SHOWN

# Compressor and Tubing Assembly

Ref. Part No: No:	Description:	Ref. Part No: No:	Description:
-------------------	--------------	-------------------	--------------

**Image 1:**

11	YP14K1TPFVASE	COMPRESSOR (M1)
11	YP20K1TPFVASE	COMPRESSOR (M2)
11	YP24K1TPFVASE	COMPRESSOR (M3)
11	YP29K1TPFVASE	COMPRESSOR (M4)
11	YP34K1TPFVASC	COMPRESSOR (M5)
11	YP40K1TPFVASC	COMPRESSOR (M6)
11	YPS51K1TPFVASC	COMPRESSOR (M7)
21	0163R00007	HEATER, CRANKCASE 230V, 40W (M5, M6, M7)
31	0159R00000P	HARNESS, COMP SCROLL 130 36" (M1)
31	0159R00001P	HARNESS, COMP SCROLL 130 42" (M2)
31	0159R00002P	HARNESS, COMP SCROLL 130 46" (M3, M4, M5, M6, M7)
41	0159M00017	WIRE HARNESS COMPR SOLENOID (M7)
51	M0221641	TF SHOULDER SCREW (QTY 4)
61	B1339533	COMPRESSOR GROMMET (QTY 4)
91	0130M00082	LOW PRESSURE SWITCH (M1)
91	0130M00821	SWITCH, LOW PRESSURE (M2, M3, M4, M5, M6, M7)
101	0130M20000	SWITCH, HIGH PRESSURE (M1)
101	0130M20002	SWITCH, HIGH PRESSURE (M2, M3, M4, M5, M6, M7)
121	0121R00005PDG	BASE PAN, 26" PNT (M1)
121	0121R00006PDG	BASE PAN, 29" PNT (M2)
121	0121R01090PDG	PAINTED BASE PAN 35.5" (M3, M4, M5, M6, M7)
131	0162R00057	FILTER DRIER
141	0151R00287	BASE VALVE 3/8", R32
151	0151R00285	BASE VALVE 3/4", R32 (M1, M2, M3)
151	0151R00286	BASE VALVE 7/8", R32 (M4, M5, M6, M7)
231	0130M00106	DISC THERMOSTAT CRNKCS HTR SW (M5, M6, M7)
401	0160M00035	COMPRESSOR BLANKET (M1, M2, M3, M4)
401	0160M00039	COMPRESSOR BLANKET (M5, M6, M7)

**Expanded Model Nomenclature**

- |                    |
|--------------------|
| M1 - ALXS5BA1810AA |
| M2 - ALXS5BA2410AA |
| M3 - ALXS5BA3010AA |
| M4 - ALXS5BA3610AA |
| M5 - ALXS5BA4210AA |
| M6 - ALXS5BA4810AA |
| M7 - ALXS5BA6010AA |