



# REPAIR PARTS

---

## ALZT7CA Remote Heat Pump

ALZT7CA2410AA  
ALZT7CA3610AA  
ALZT7CA4810AA  
ALZT7CA6010AA



Amana® is a registered trademark of Maytag Corporation or its related companies and is used under license. All rights reserved.

This manual is to be used by qualified technicians only.

© 2024 Goodman Company, L.P. ♦ 19001 Kermier Rd. ♦ Waller, TX 77484

# Important Information

---

## Index

Functional Parts List .....	3
Illustration and Parts .....	4 - 9

*Views shown are for parts illustrations only, not servicing procedures.*

### Text Codes:

AR - As Required

NA - Not Available

NS - Not Shown

00000000 - See Note

QTY - Quantity Example (QTY 3) (If Quantity not shown, Quantity = 1)

M - Model Example (M1) (If M Code not shown, then part is used on all Models)

### Expanded Model Nomenclature:

Example
M1 - Model#1
M2 - Model#2
M3 - Model#3

Goodman Company, L.P. is not responsible for personal injury or property damage resulting from improper service. Review all service information before beginning repairs.

Warranty service must be performed by an authorized technician, using authorized factory parts. If service is required after the warranty expires, Goodman Company, L.P. also recommends contacting an authorized technician and using authorized factory parts.

Goodman Company, L.P. reserves the right to discontinue, or change at any time, specifications or designs without notice or without incurring obligations.

For assistance within the U.S.A. contact:

Homeowner Support  
Goodman Company, L.P.  
19001 Kermier Road  
Waller, Texas 77484  
877-254-4729-Telephone  
713-863-2382-Facsimile

For assistance outside the U.S.A. contact:

International Division  
Goodman Company, L.P.  
19001 Kermier Road  
Waller, Texas 77484  
713-861-2500-Telephone  
713-863-2382-Facsimile

# Functional Parts

## Part

## No: Description:

---

SHARED DATA	Available thru CoolCloud HVAC app
0151R00285	BASE VALVE 3/4", R32 (M1)
0151R00287	BASE VALVE 3/8", R32
0151R00286	BASE VALVE 7/8", R32 (M2, M3, M4)
CAB050350440CS	CAP, 5/35 MFD/440V RD - BPRF (M1, M2, M3)
CAB050400440CT	CAP, 5/40 MFD/440V RD - BPRF (M4)
0130R00116	CAPACITOR HARD START
YPS51K1TPFVASC	COMPRESSOR (M4)
YPS20K1TPFVASE	COMPRESSOR (M1)
YPS40K1TPFVASC	COMPRESSOR (M3)
YPS29K1TPFVASE	COMPRESSOR (M2)
0130M00106	DISC THERMOSTAT(CRNKCS HTR SW)
0163R00007	HEATER, CRANKCASE 230V, 40W (M3, M4)
0163R00006	HEATER, CRANKCASE 230V, 40W (M1, M2)
0131M00827	MOTOR, ECM (M1, M2)
0131M00804	MOTOR, ECM (M3, M4)
0130M00054	OUTDOOR AIR TEMP SENSOR
0130M00852	OUTDOOR COIL TEMP SENSOR (M1, M2)
0130M00502	OUTDOOR COIL TEMP SENSOR (M3, M4)
PCBHR105	PCB, COTROL BOARD
0130M00864	RELAY, HARD START (M3, M4)
0130M00863	RELAY, HARD START (M1, M2)
0151R00288	REVERSING VALVE (M1)
0151R00071	REVERSING VALVE (M2, M3, M4)
B1225022	SOLENOID COIL
0130R00002	SW-CUTOUT LOW PRESS
0130M20002	SWITCH, HIGH PRESSURE
0130M00138	TRANSFORMER, 208/230, 24V
0151R00301	VALVE, ADJUSTABLE (M3)
0151R00302	VALVE, ADJUSTABLE (M4)
0151R00299	VALVE, ADJUSTABLE (M1)
0151R00295	VALVE, ADJUSTABLE (M2)
0130M00005P	WIRE HARNESS, COMPR SOLENOID

### SPECIAL PARTS

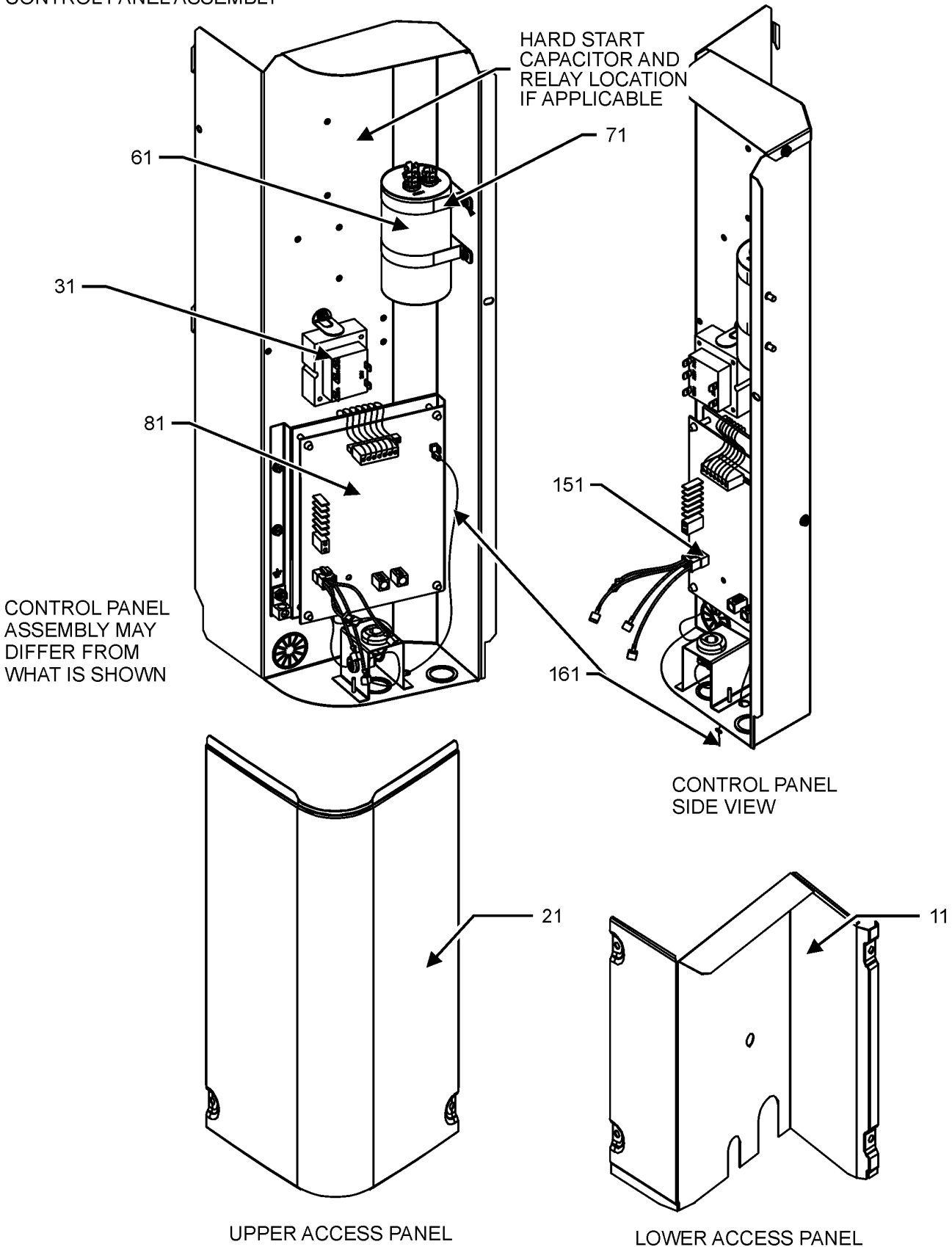
0161R00086	CAP, GRILL
0161R00087	NAMEPLATE, AMANA LOGO

### Expanded Model Nomenclature

M1 - ALZT7CA2410AA
M2 - ALZT7CA3610AA
M3 - ALZT7CA4810AA
M4 - ALZT7CA6010AA

# Control Box Assembly

## CONTROL PANEL ASSEMBLY



# Control Box Assembly

Ref. Part No:	Part No:	Description:	Ref. Part No:	Part No:	Description:
---------------	----------	--------------	---------------	----------	--------------

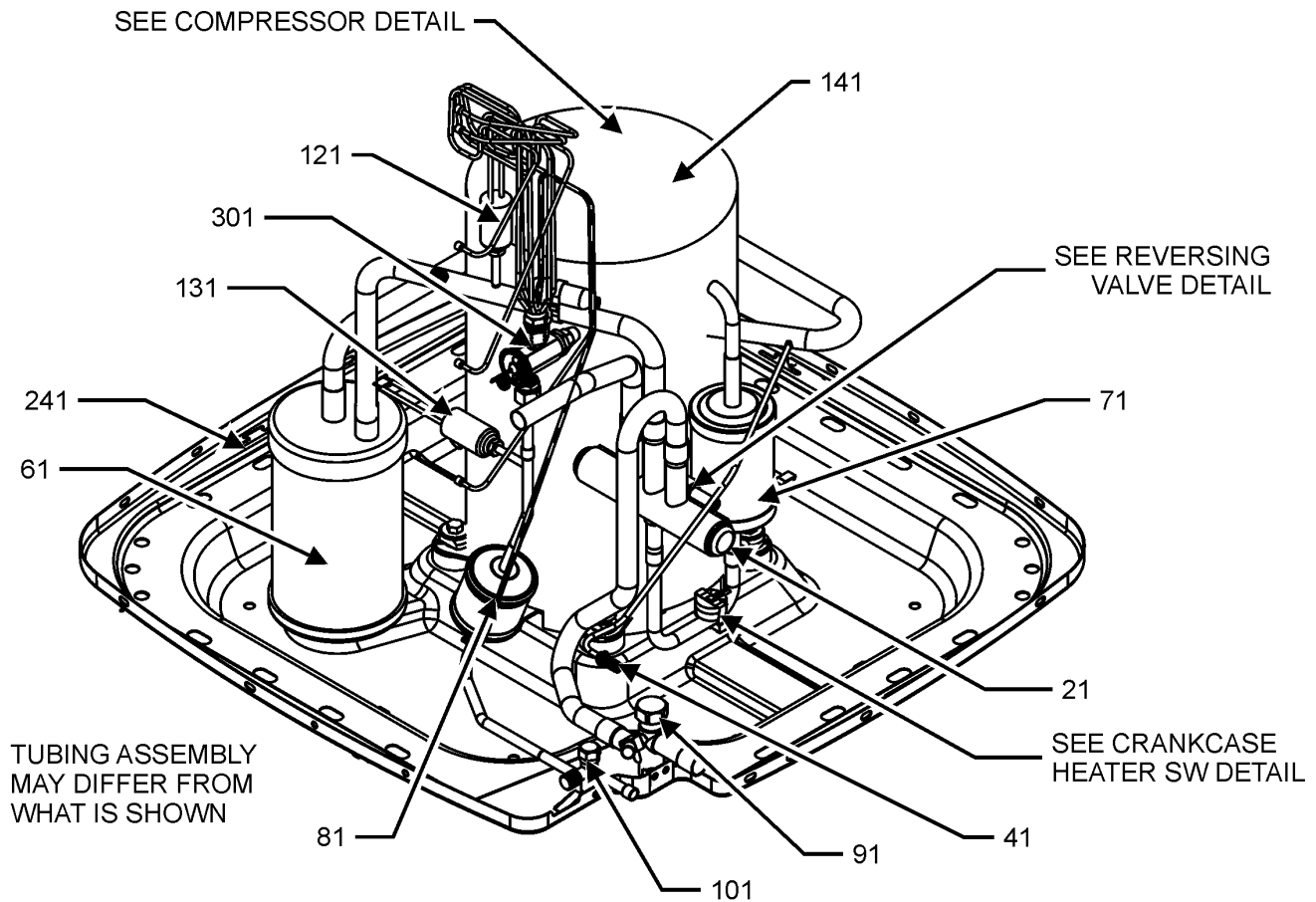
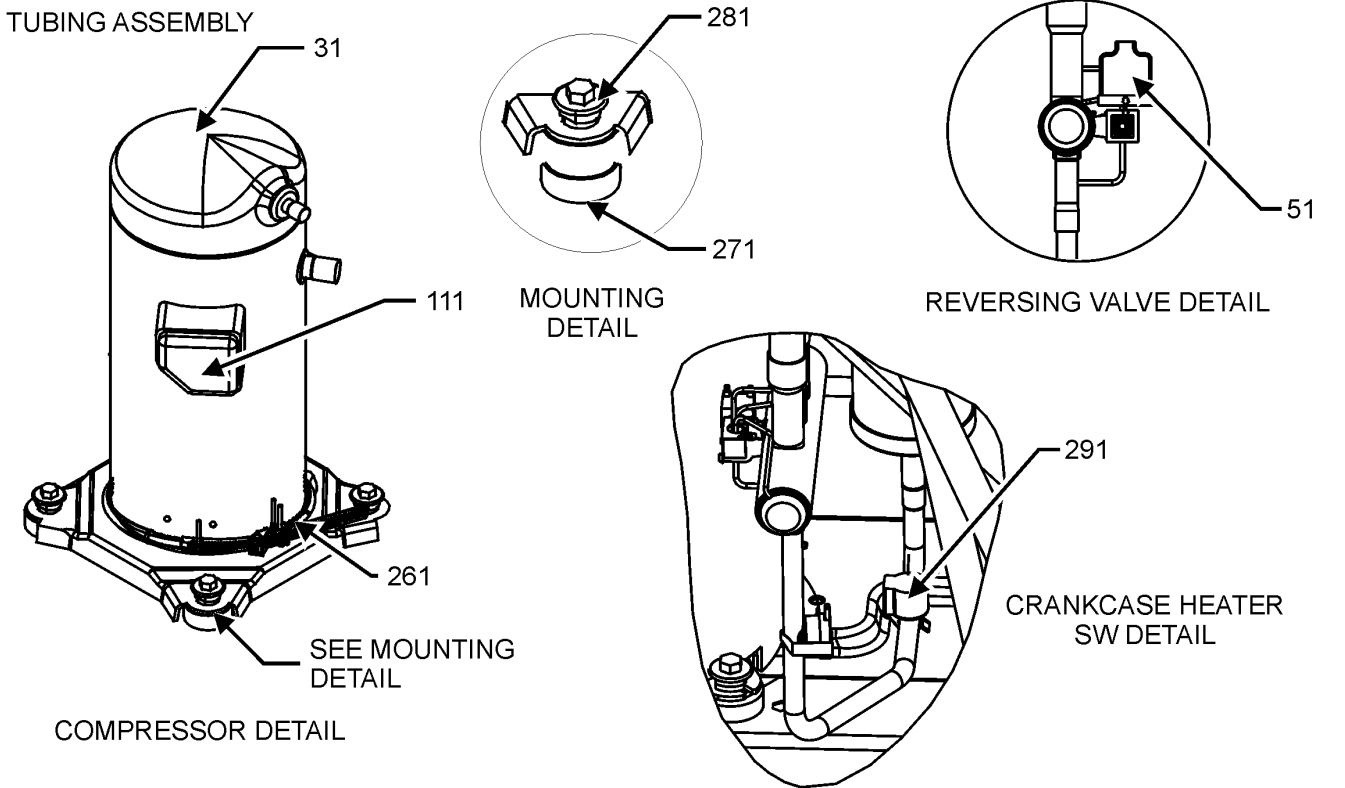
**Image 1:**

11	0121R00908PDG	PNL, LWR ACCESS (M2)
11	0121R00918PDG	PNL, LWR ACCESS (M3, M4)
11	0121R00923PDG	PNL, LWR ACCESS (M1)
21	0121R00950PDG	CONTROL COVER, LARGE PNT
31	0130M00138	TRANSFORMER, 208/230, 24V
61	CAB050350440CS	CAP, 5/35 MFD/440V RD - BPRF (M1, M2, M3)
61	CAB050400440CT	CAP, 5/40 MFD/440V RD - BPRF (M4)
71	0121R00213	CAPACITOR STRAP (QTY 2)
81	PCBHR105	PCB, COTROL BOARD
151	0259R00009	ASSY, HARNESS
161	0130M00054	OUTDOOR AIR TEMP SENSOR
NS	SHARED DATA	Available thru CoolCloud HVAC app
NS	0130R00116	CAPACITOR HARD START
NS	0161R00087	NAMEPLATE, AMANA LOGO
NS	0130M00863	RELAY, HARD START (M1, M2)
NS	0130M00864	RELAY, HARD START (M3, M4)
NS	0130M00005P	WIRE HARNESS, COMPR SOLENOID

**Expanded Model Nomenclature**

- |                    |
|--------------------|
| M1 - ALZT7CA2410AA |
| M2 - ALZT7CA3610AA |
| M3 - ALZT7CA4810AA |
| M4 - ALZT7CA6010AA |

# Compressor and Tubing Assembly



# Compressor and Tubing Assembly

Ref. Part No: No:	Description:	Ref. Part No: No:	Description:
-------------------	--------------	-------------------	--------------

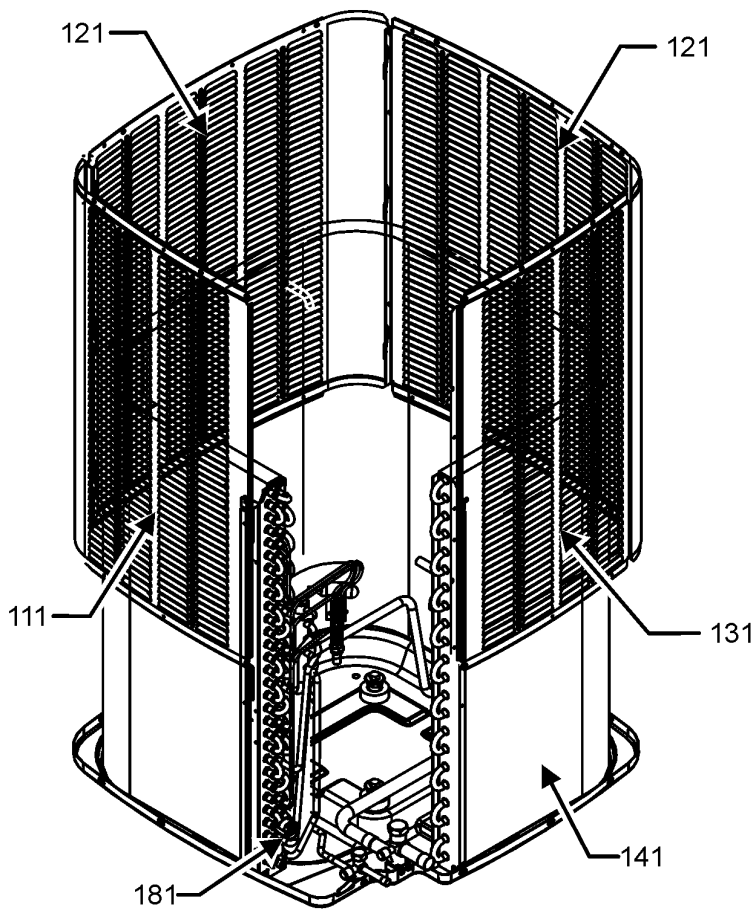
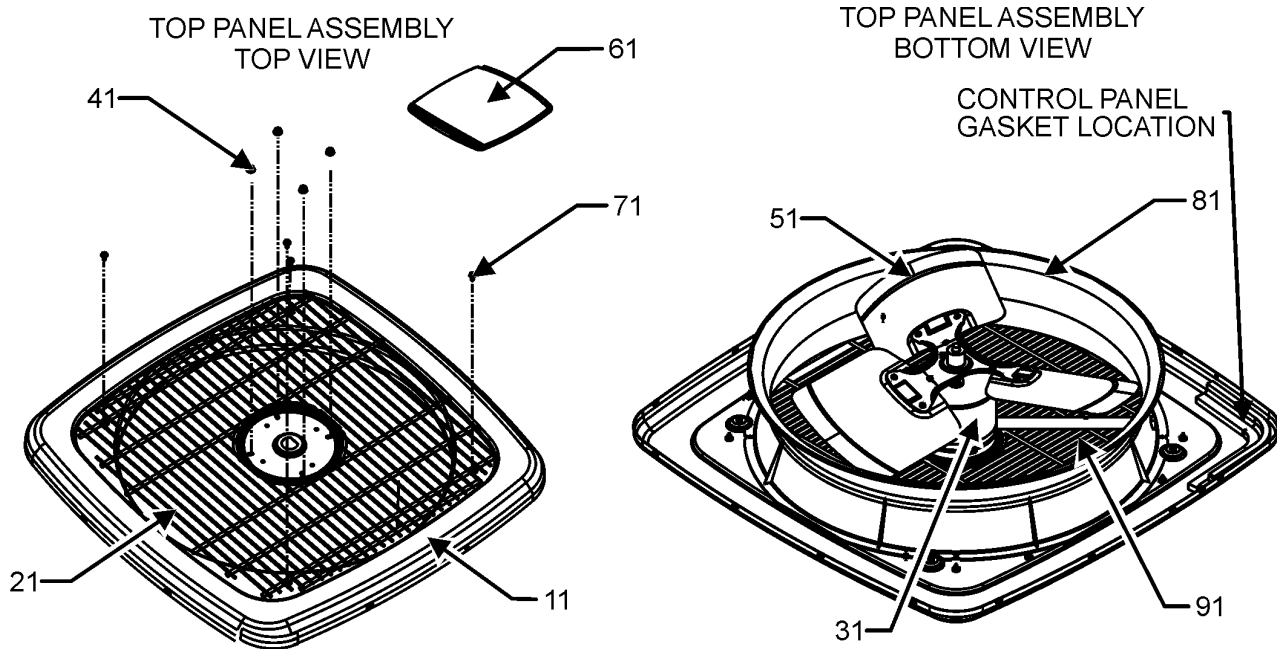
**Image 1:**

21	0151R00071	REVERSING VALVE (M2, M3, M4)
21	0151R00288	REVERSING VALVE (M1)
31	YPS20K1TPFVASE	COMPRESSOR (M1)
31	YPS29K1TPFVASE	COMPRESSOR (M2)
31	YPS40K1TPFVASC	COMPRESSOR (M3)
31	YPS51K1TPFVASC	COMPRESSOR (M4)
41	0163M00629	RED CAP WITH O-RING
51	0130M00411	SOLENOID HARNESS W/1/4" TERM
61	0151L00009	ACCUMULATOR (M3, M4)
61	0151L00058	ACCUMULATOR (M1)
61	B1226207	ACCUMULATOR (M2)
71	0162R00007	MUFFLER 1/2 X 1/2
81	0162R00056	FILTER/DRIER-BI-FLOW
91	0151R00285	BASE VALVE 3/4", R32 (M1)
91	0151R00286	BASE VALVE 7/8", R32 (M2, M3, M4)
101	0151R00287	BASE VALVE 3/8", R32
111	0159R00002P	HARNESS, COMP SCROLL 130 46"
121	0130R00002	SW-CUTOOUT LOW PRESS
131	0130M20002	SWITCH, HIGH PRESSURE
141	0160M00035	COMPRESSOR BLANKET (M1, M2)
141	0160M00039	COMPRESSOR BLANKET (M3, M4)
241	0121R01090PDG	PAINTED BASE PAN 35.5"
261	0163R00006	HEATER, CRANKCASE 230V, 40W (M1, M2)
261	0163R00007	HEATER, CRANKCASE 230V, 40W (M3, M4)
271	B1339533	COMPRESSOR GROMMET (QTY 4)
281	M0221641	TF SHOULDER SCREW (QTY 4)
291	0130M00106	DISC THERMOSTAT(CRNKCS HTR SW)
301	0151R00295	VALVE, ADJUSTABLE (M2)
301	0151R00299	VALVE, ADJUSTABLE (M1)
301	0151R00301	VALVE, ADJUSTABLE (M3)
301	0151R00302	VALVE, ADJUSTABLE (M4)
NS	0151R00229	COMPENSATOR (M2)
NS	0151R00237	COMPENSATOR (M3, M4)
NS	0151R00254	COMPENSATOR (M1)
NS	B1225022	SOLENOID COIL
NS	0151M00104	VALVE CORE

**Expanded Model Nomenclature**

- |                    |
|--------------------|
| M1 - ALZT7CA2410AA |
| M2 - ALZT7CA3610AA |
| M3 - ALZT7CA4810AA |
| M4 - ALZT7CA6010AA |

# Cabinet Top and Louver Panel Assembly



TOP PANEL AND LOUVER PANEL ASSEMBLY MAY DIFFER FROM WHAT IS SHOWN

LOUVER PANEL ASSEMBLY

# Cabinet Top and Louver Panel Assembly

Ref. Part No:	Part No:	Description:	Ref. Part No:	Part No:	Description:
---------------	----------	--------------	---------------	----------	--------------

**Image 1:**

11	0121R00936PDG	TOP PANEL 35"			
21	0152R00023	GRILL, WIRE 35. TOP (M3, M4)			
21	0152R00027	GRILL, WIRE 35. TOP (M1, M2)			
31	0131M00804	MOTOR, ECM (M3, M4)			
31	0131M00827	MOTOR, ECM (M1, M2)			
41	M0280801	HEX NUT (QTY 4)			
51	0150M00054	FAN BLADE, 26"			
61	0161R00086	CAP, GRILL			
71	0163M00003P	SCREW #10 X 1/2, A, SLOT, SR, BLACK (QTY 8)			
81	0161R00105	35" VENTURI CFS			
91	0163M00385	CONDUIT-FLEXIBLE			
111	0121R00240PLG	PANEL 1, LOUVER 35 (M1)			
111	0121R00239PLG	PANEL 1, LOUVER 35, 5MM, PNT (M2)			
111	0121R00601PLG	PANEL 1, LOUVER 35_39.84 PNT (M3, M4)			
121	0121R00244PLG	PANEL 2, LOUVER 35 (M1)			
121	0121R00243PLG	PANEL 2, LOUVER 35, 5MM, PNT (M2)			
121	0121R00514PLG	PANEL 2, LOUVER 35_39.84 PNT (M3, M4)			
131	0121R00248PLG	PANEL 3, LOUVER 35 (M1)			
131	0121R00247PLG	PANEL 3, LOUVER 35, 5MM, PNT (M2)			
131	0121R00603PLG	PANEL 3, LOUVER 35_39.84 PNT (M3, M4)			
141	0201R00836	COIL TUBING ASSY (M3, M4)			
141	0201R00873	COIL TUBING ASSY (M1)			
141	0201R00874	COIL TUBING ASSY (M2)			
181	0130M00502	OUTDOOR COIL TEMP SENSOR (M3, M4)			
181	0130M00852	OUTDOOR COIL TEMP SENSOR (M1, M2)			

**Expanded Model Nomenclature**

- |                    |
|--------------------|
| M1 - ALZT7CA2410AA |
| M2 - ALZT7CA3610AA |
| M3 - ALZT7CA4810AA |
| M4 - ALZT7CA6010AA |