

ALXT7 2-Stage Remote Condensing Unit

ALXT7CA2410AA

ALXT7CA3610AA

ALXT7CA4810AA

ALXT7CA6010AA



Amana® is a registered trademark of Maytag Corporation or its related companies and is used under license. All rights reserved.

This manual is to be used by qualified technicians only.

© 2024 Goodman Company, L.P. ♦ 19001 Kermier Rd. ♦ Waller, TX 77484

Important Information

Index

Functional Parts List	3
Illustration and Parts	4 - 9

Views shown are for parts illustrations only, not servicing procedures.

Text Codes:

AR - As Required

NA - Not Available

NS - Not Shown

00000000 - See Note

QTY - Quantity Example (QTY 3) (If Quantity not shown, Quantity = 1)

M - Model Example (M1) (If M Code not shown, then part is used on all Models)

Expanded Model Nomenclature:

Example M1 - Model#1 M2 - Model#2 M3 - Model#3

Goodman Company, L.P. is not responsible for personal injury or property damage resulting from improper service. Review all service information before beginning repairs.

Warranty service must be performed by an authorized technician, using authorized factory parts. If service is required after the warranty expires, Goodman Company, L.P. also recommends contacting an authorized technician and using authorized factory parts.

Goodman Company, L.P. reserves the right to discontinue, or change at any time, specifications or designs without notice or without incurring obligations.

For assistance within the U.S.A. contact:

Homeowner Support
Goodman Company, L.P.
19001 Kermier Road
Waller, Texas 77484
877-254-4729-Telephone
713-863-2382-Facsimile

For assistance outside the U.S.A. contact:

International Division
Goodman Company, L.P.
19001 Kermier Road
Waller, Texas 77484
713-861-2500-Telephone
713-863-2382-Facsimile

Functional Parts

Part

No: **Description:**

SHARED DATA	Available thru CoolCloud HVAC app
0151R00285	BASE VALVE 3/4", R32 (M1, M2)
0151R00287	BASE VALVE 3/8", R32
0151R00286	BASE VALVE 7/8", R32 (M3, M4)
CAB050350440CS	CAP, 5/35 MFD/440V RD - BPRF (M1, M2, M3)
CAB050400440CT	CAP, 5/40 MFD/440V RD - BPRF (M4)
0130R00116	CAPACITOR HARD START
YPS51K1TPFVASC	COMPRESSOR (M4)
YPS20K1TPFVASE	COMPRESSOR (M1)
YPS40K1TPFVASC	COMPRESSOR (M3)
YPS29K1TPFVASE	COMPRESSOR (M2)
0163R00007	HEATER, CRANKCASE 230V, 40W (M3, M4)
0130M00086	LOW PRESSURE SWITCH
0131M00804	MOTOR, ECM (M3, M4)
0131M00827	MOTOR, ECM (M1, M2)
0130M00054	OUTDOOR AIR TEMP SENSOR
PCBGR104	PCB, CONTROL
0130M00863	RELAY HARD START (M1, M2)
0130M00864	RELAY HARD START (M3, M4)
0130M20007	SW-CUTOUT HI PRESS
0130M00138	TRANSFORMER

SPECIAL PARTS

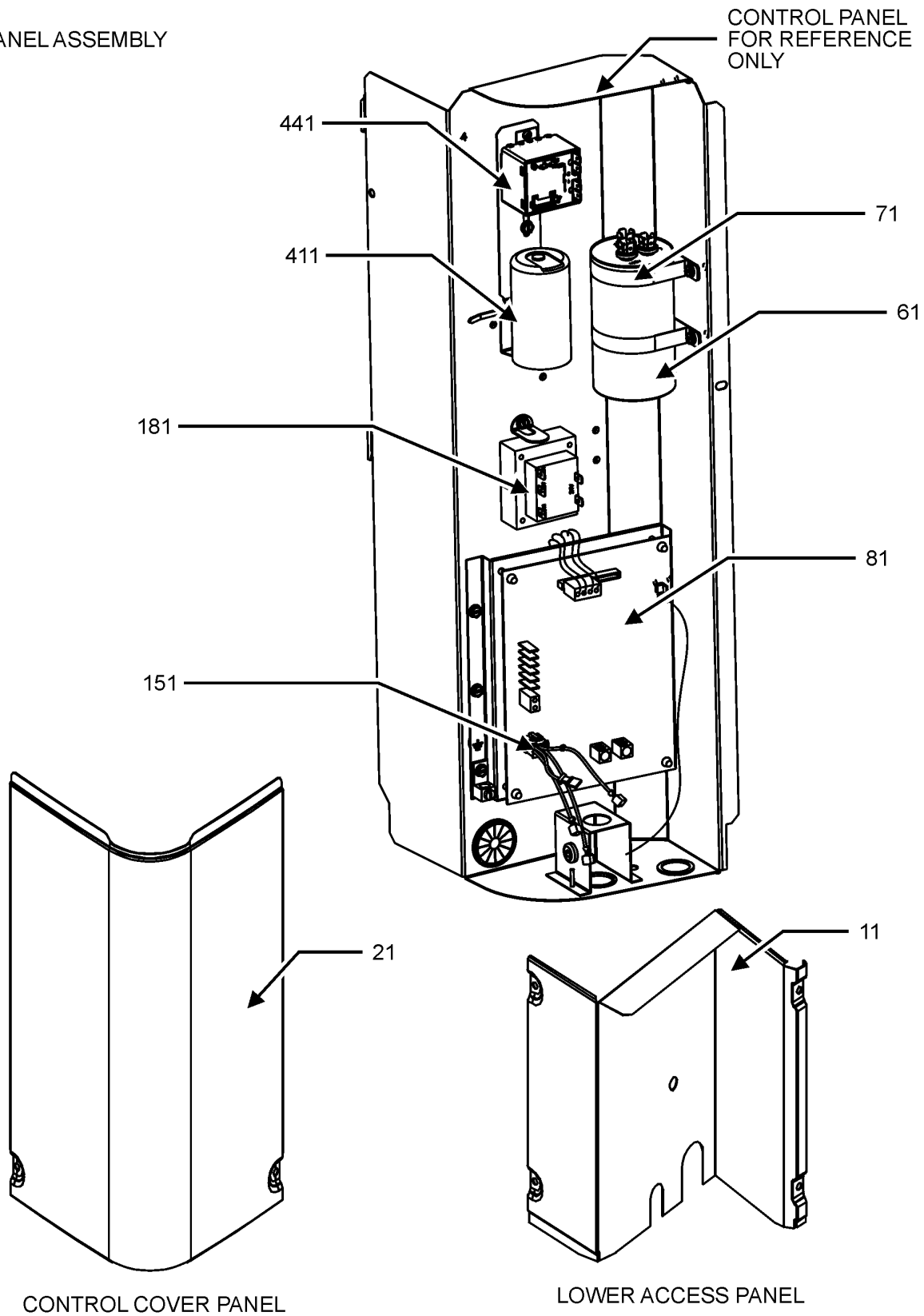
0161R00086	CAP, GRILL
0161R00087	NAMEPLATE, AMANA LOGO

Expanded Model Nomenclature

M1 - ALXT7CA2410AA
M2 - ALXT7CA3610AA
M3 - ALXT7CA4810AA
M4 - ALXT7CA6010AA

Control Box Assembly

CONTROL PANEL ASSEMBLY



CONTROL PANEL ASSEMBLY MAY DIFFER FROM WHAT IS SHOWN

Control Box Assembly

Ref. Part No: No:	Description:	Ref. Part No: No:	Description:
-------------------	--------------	-------------------	--------------

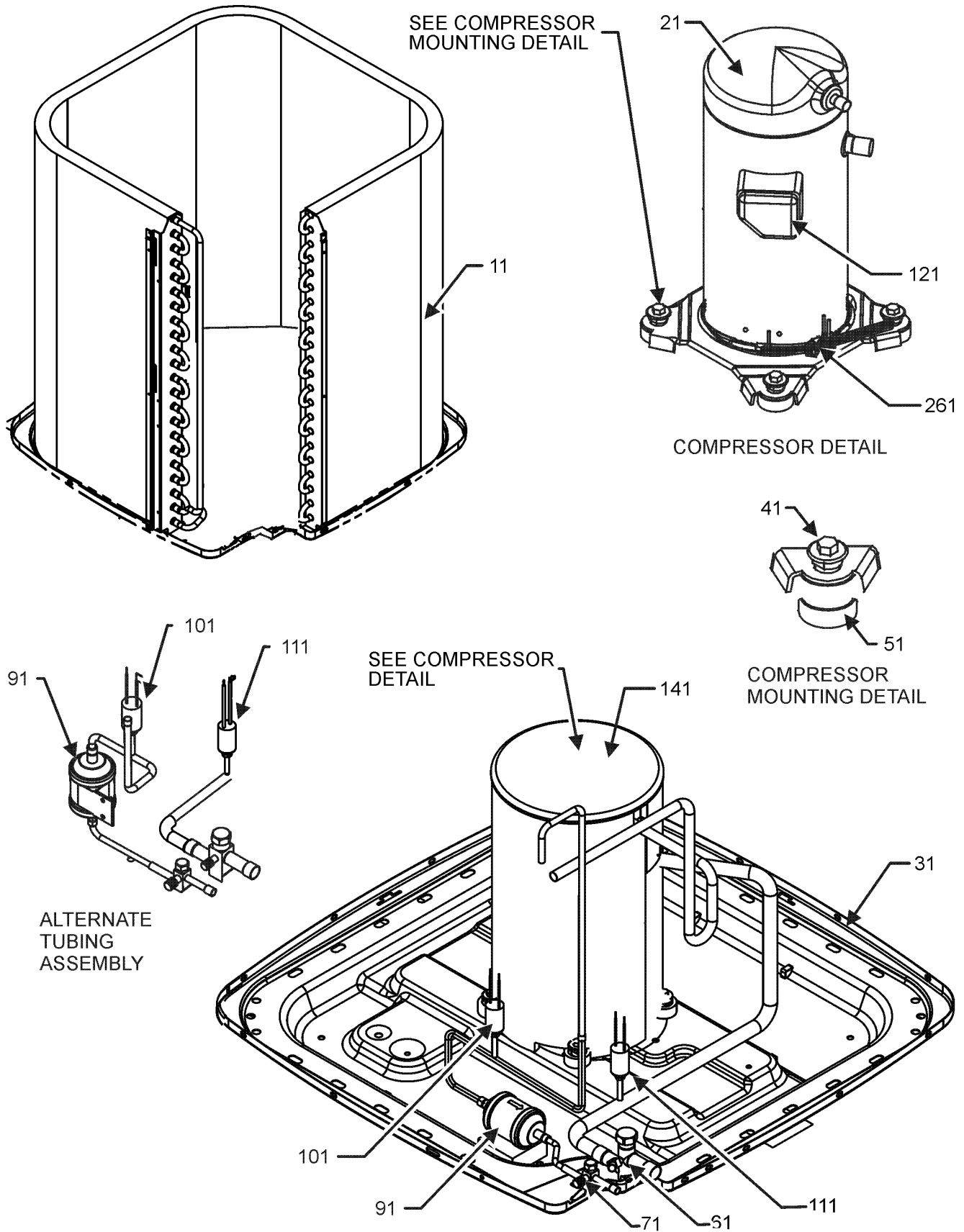
Image 1:

11	0121R00918PDG	PNL, LWR ACCESS (M3, M4)
11	0121R00923PDG	PNL, LWR ACCESS (M1, M2)
21	0121R00950PDG	CONTROL COVER, LARGE PNT
61	CAB050350440CS	CAP, 5/35 MFD/440V RD - BPRF (M1, M2, M3)
61	CAB050400440CT	CAP, 5/40 MFD/440V RD - BPRF (M4)
71	0121R00213	CAPACITOR STRAP (QTY 2)
81	PCBGR104	PCB, CONTROL
151	0259R00009	ASSY, HARNESS
161	0130M00054	OUTDOOR AIR TEMP SENSOR
411	0130R00116	CAPACITOR HARD START
441	0130M00863	RELAY HARD START (M1, M2)
441	0130M00864	RELAY HARD START (M3, M4)
NS	SHARED DATA	Av ailable thru CoolCloud HVAC app
NS	0121R00854	HARD START KIT BRACKET
NS	0161R00087	NAMEPLATE, AMANA LOGO
NS	0130M00138	TRANSFORMER

Expanded Model Nomenclature

M1 - ALXT7CA2410AA
M2 - ALXT7CA3610AA
M3 - ALXT7CA4810AA
M4 - ALXT7CA6010AA

Compressor and Tubing Assembly



Compressor and Tubing Assembly

Ref. Part No:	No:	Description:	Ref. Part No:	No:	Description:
---------------	-----	--------------	---------------	-----	--------------

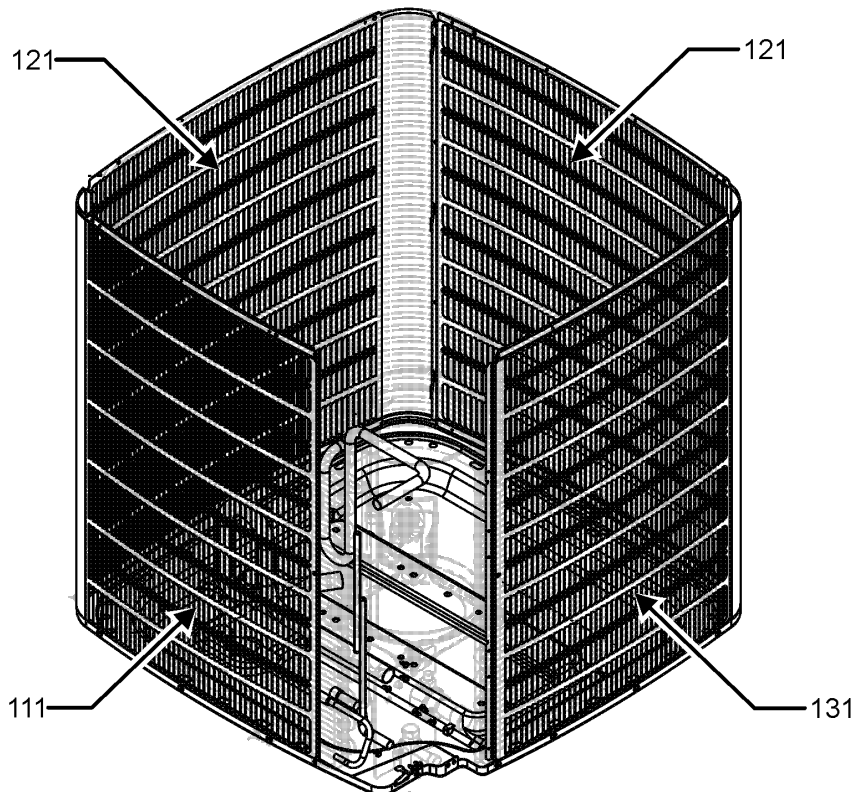
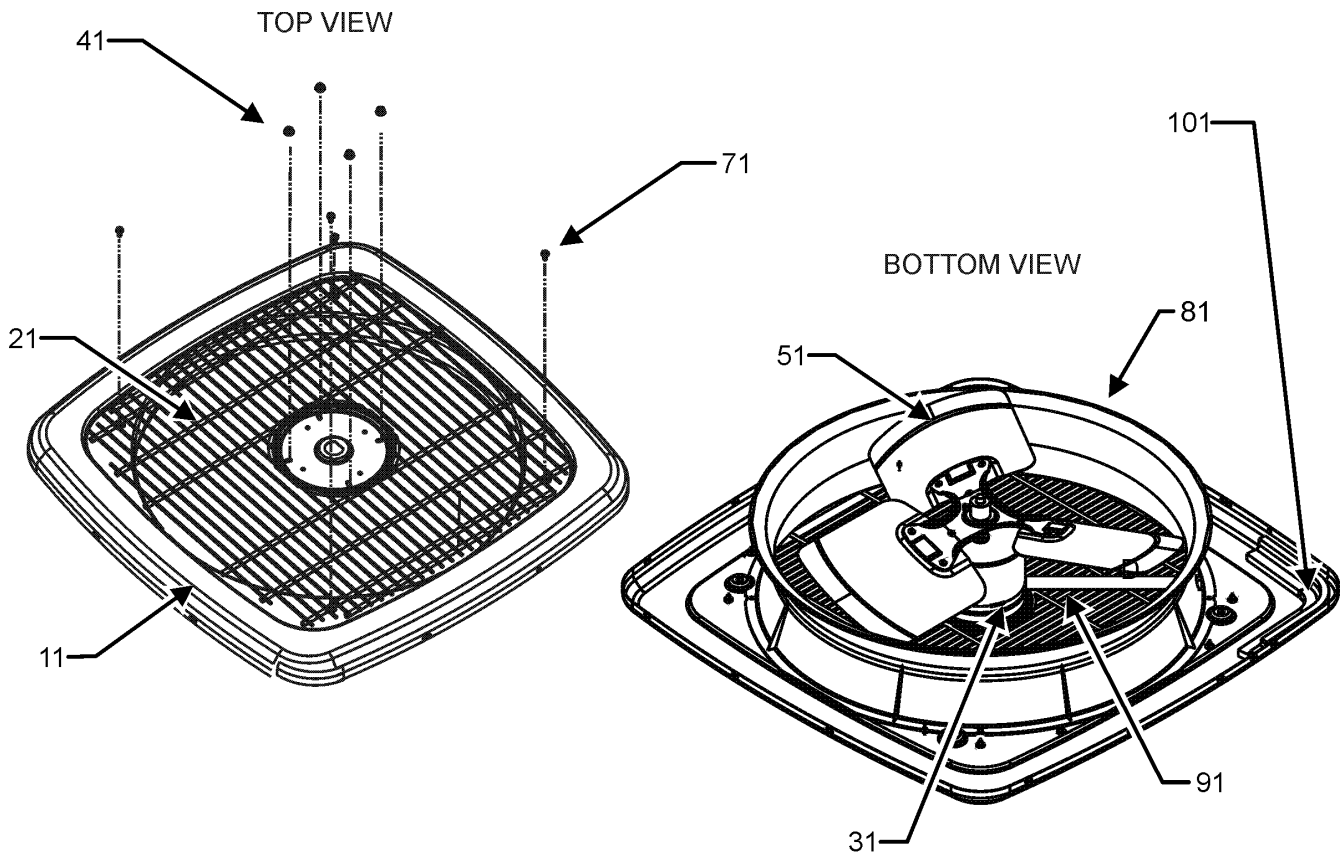
Image 1:

11	0201R00433	COIL TUBING ASSY (M1, M2)
11	0201R00718	COIL TUBING ASSY (M4)
11	0201R00738	COIL TUBING ASSY (M3)
21	YPS20K1TPFVASE	COMPRESSOR (M1)
21	YPS29K1TPFVASE	COMPRESSOR (M2)
21	YPS40K1TPFVASC	COMPRESSOR (M3)
21	YPS51K1TPFVASC	COMPRESSOR (M4)
31	0121R01090PDG	PAINTED BASE PAN 35.5"
41	M0221641	TF SHOULDER SCREW (QTY 4)
51	B1339533	GROMMET, COMPRESSOR (SCROLL & (QTY 4)
61	0151R00285	BASE VALVE 3/4", R32 (M1, M2)
61	0151R00286	BASE VALVE 7/8", R32 (M3, M4)
71	0151R00287	BASE VALVE 3/8", R32
91	0162R00057	FILTER DRIER
101	0130M20007	SW-CUTOUT HI PRESS
111	0130M00086	LOW PRESSURE SWITCH
121	0159R00002P	HARNES, COMP SCROLL 130 46"
141	0160M00035	COMPRESSOR BLANKET (M1, M2)
141	0160M00038	COMPRESSOR BLANKET (M3)
141	0160M00039	COMPRESSOR BLANKET (M4)
261	0163R00007	HEATER, CRANKCASE 230V, 40W (M3, M4)
NS	0130M00005P	WIRE HARNES, COMPR SOLENOID

Expanded Model Nomenclature

M1 - ALXT7CA2410AA
M2 - ALXT7CA3610AA
M3 - ALXT7CA4810AA
M4 - ALXT7CA6010AA

Top and Louver Side Panel Assembly



LOUVER PANEL ASSEMBLY

Top and Louver Side Panel Assembly

Ref. Part No:	No:	Description:	Ref. Part No:	No:	Description:
---------------	-----	--------------	---------------	-----	--------------

Image 1:

11	0121R00936PDG	TOP PANEL, 35. PNT
21	0152R00023	GRILL, WIRE 35. TOP (M3, M4)
21	0152R00027	GRILL, WIRE 35. TOP (M1, M2)
31	0131M00804	MOTOR, ECM (M3, M4)
31	0131M00827	MOTOR, ECM (M1, M2)
41	M0280801	HEX NUT (QTY 4)
51	0150M00054	FAN BLADE, 26"
71	0163M00003P	SCREW #10 X 1/2, A, SLOT, SR, BLACK (QTY 6)
81	0161R00105	35" VENTURI CFS
91	0163M00385	CONDUIT-FLEXIBLE
101	0154R00045	GASKET, CONTROL PANEL
111	0121R00240PLG	PANEL 1, BENT LOUVER 35 (M1, M2)
111	0121R00601PLG	PANEL 1, BENT LOUVER 35_39.84 (M3, M4)
121	0121R00244PLG	PANEL 2, BENT LOUVER 35 (M1, M2)
121	0121R00514PLG	PANEL 2, BENT LOUVER 35_39.84 (M3, M4)
131	0121R00248PLG	PANEL 3, LOUVER 35 (M1, M2)
131	0121R00603PLG	PANEL 3, LOUVER 35_39.84 PNT (M3, M4)
NS	0161R00086	CAP, GRILL

Expanded Model Nomenclature

M1 - ALXT7CA2410AA
M2 - ALXT7CA3610AA
M3 - ALXT7CA4810AA
M4 - ALXT7CA6010AA