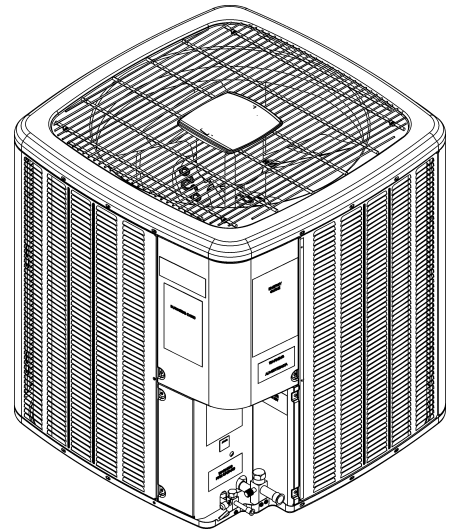


**DZ4SEA Remote Heat Pump**

DZ4SEA1810AA  
DZ4SEA2410AA  
DZ4SEA3010AA  
DZ4SEA3610AA  
DZ4SEA4210AA  
DZ4SEA4810AA  
DZ4SEA6010AA



This manual is to be used by qualified technicians only.

# Important Information

---

## Index

Functional Parts List .....	3
Illustration and Parts .....	4 - 9

*Views shown are for parts illustrations only, not servicing procedures.*

### Text Codes:

AR - As Required

NA - Not Available

NS - Not Shown

00000000 - See Note

QTY - Quantity Example (QTY 3) (If Quantity not shown, Quantity = 1)

M - Model Example (M1) (If M Code not shown, then part is used on all Models)

### Expanded Model Nomenclature:

Example
M1 - Model#1
M2 - Model#2
M3 - Model#3

Daikin Comfort Technologies Manufacturing , L.P. is not responsible for personal injury or property damage resulting from improper service. Review all service information before beginning repairs.

Warranty service must be performed by an authorized technician, using authorized factory parts. If service is required after the warranty expires, Daikin Comfort Technologies Manufacturing , L.P. also recommends contacting an authorized technician and using authorized factory parts.

Daikin Comfort Technologies Manufacturing , L.P. reserves the right to discontinue, or change at any time, specifications or designs without notice or without incurring obligations.

For assistance within the U.S.A. contact:  
Homeowner Support  
Daikin Comfort Technologies Manufacturing , L.P.  
19001 Kermier Road  
Waller, Texas 77484  
855-770-5678-Telephone  
713-863-2382-Facsimile

For assistance outside the U.S.A. contact:  
International Division  
Daikin Comfort Technologies Manufacturing , L.P.  
19001 Kermier Road  
Waller, Texas 77484  
713-861-2500-Telephone  
713-863-2382-Facsimile

# Functional Parts

**Part No:**            **Description:**

0151R00231	ADJUSTABLE VALVE, TXV R410A (M7)
0151R00213	ADJUSTABLE VALVE, TXV R410A (M1, M2)
0151R00215	ADJUSTABLE VALVE, TXV R410A (M3)
0151R00216	ADJUSTABLE VALVE, TXV R410A (M4)
0151R00230	ADJUSTABLE VALVE, TXV R410A (M6)
0151R00217	ADJUSTABLE VALVE, TXV R410A (M5)
0151R00185	BASE VALVE 3/4" (M1, M2, M3)
0151R00187	BASE VALVE 3/8"
0151R00186	BASE VALVE 7/8" (M4, M5, M6, M7)
CAB050350440CS	CAP, 5/35 MFD/440V RD - BPRF (M1, M2, M3)
CAB050400440CT	CAP, 5/40 MFD/440V RD - BPRF (M4, M6)
CAB050450440CT	CAP, 5/45 MFD/440V RD - BPRF (M5)
CAB050700440CT	CAP, 5/70 MFD/440V RD - BPRF (M7)
ZP25K7EPFV130	COMP, 208/230/60/1 (M3)
ZP14K7EPFV130	COMPRESSOR, 1.5 TON (M1)
ZP20K7EPFV130	COMPRESSOR, 2 TON (M2)
ZP34K7EPFV130	COMPRESSOR, COPELAND (M5)
ZP40K7EPFV130	COMPRESSOR, COPELAND (M6)
ZP51K7EPFV130	COMPRESSOR, COPELAND (M7)
ZP31K7EPFV130	COMPRESSOR, COPELAND (M4)
CONT1P030024V	CONT, 1 POLE, 30 AMP, 24 VAC
0130M00250	CONTROL, DEFROST (M6, M7)
0130M00723	CONTROL, DEFROST (M1, M2, M3, M4, M5)
571006700	CoreSense Module
0130M00106	DISC THERMOSTAT CRNKCS HTR SW
0130M00349	DISC-THERMOSTAT
0150M00008	FAN BLADE, 22" TNT2203-25 (M1, M2, M3)
0150M00066	FAN BLADE, 26" (M4, M5, M6, M7)
0163R00007	HEATER, CRANKCASE 230V, 40W (M5, M6, M7)
0163R00006	HEATER, CRANKCASE 230V, 40W (M1, M2, M3, M4)
0131M00807	MOTOR, 1/4HP,1SP,8PL,AL (M5, M6, M7)
0131M00753	MOTOR, 1/6HP, 1SP, 8PL, AL (M1, M2, M3)
0131M00945	MOTOR, 1/6HP, 8PL (M4)
PCBDM133	PCB, DEFROST CONTROL
0151R00068	REVERSING VALVE (M1, M2, M3)
0151R00071	REVERSING VALVE (M4, M5, M6, M7)
B1225022	SOLENOID COIL
0130M00089	SW-CUTOUT HI PRESS
0130M00088	SW-CUTOUT LOW PRESS

## Expanded Model Nomenclature

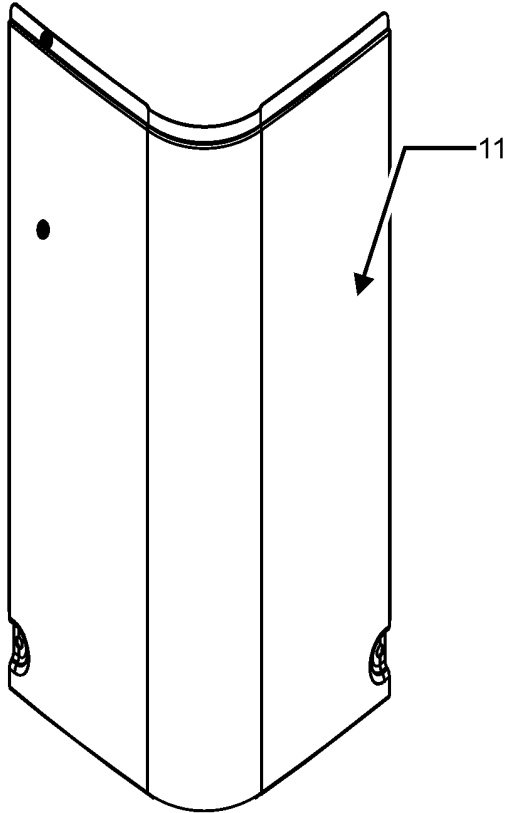
M1 - DZ4SEA1810AA
M2 - DZ4SEA2410AA
M3 - DZ4SEA3010AA
M4 - DZ4SEA3610AA
M5 - DZ4SEA4210AA
M6 - DZ4SEA4810AA
M7 - DZ4SEA6010AA

## SPECIAL PARTS

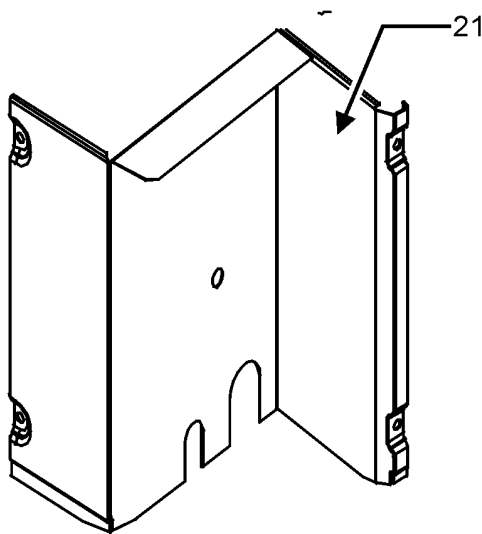
0161R00093	NAMEPLATE, DAIKIN
0163M00005P	WASHER, BLACK (.50 OD .218ID) (QTY 4)

# Control Panel Assembly

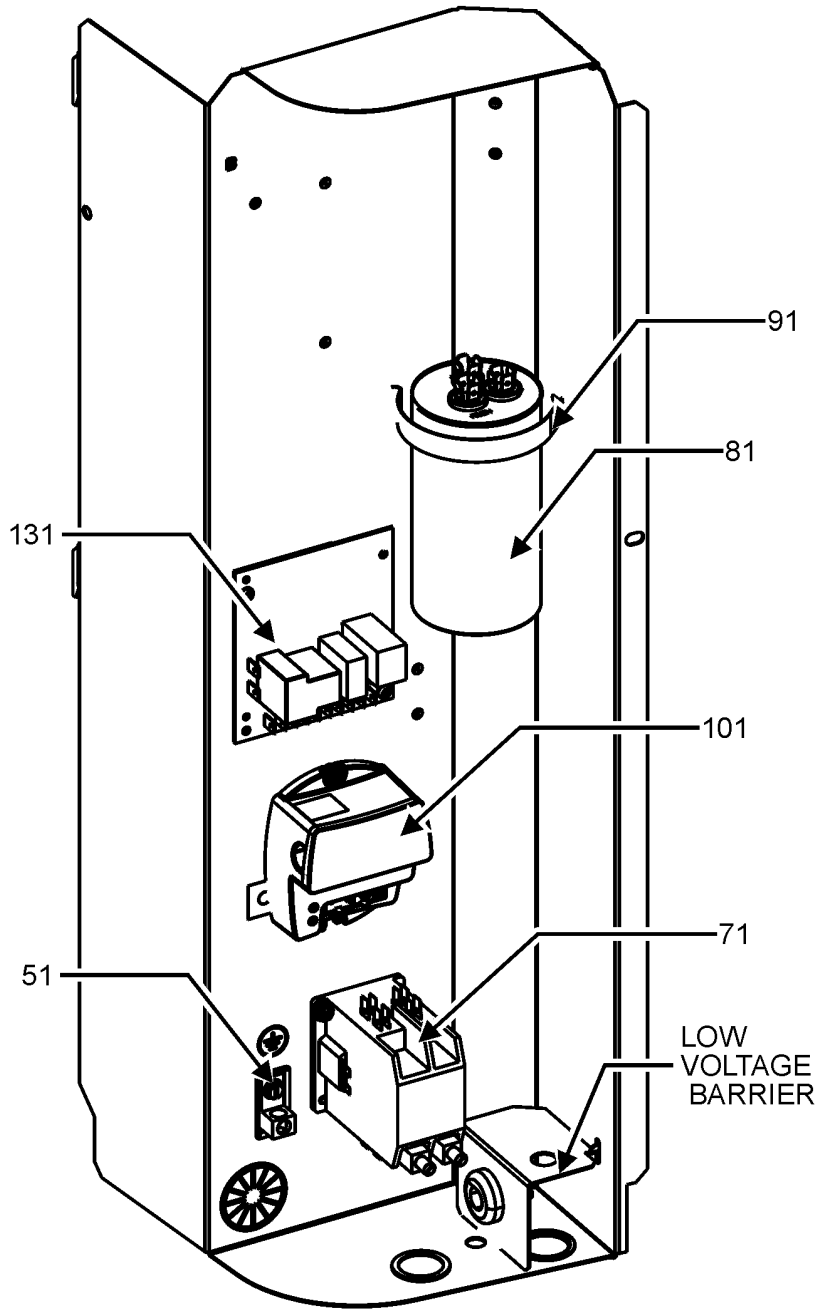
## CONTROL PANEL ASSEMBLY



CONTROL COVER PANEL



LOWER ACCESS PANEL



CONTROL PANEL

CONTROL PANEL ASSEMBLY MAY DIFFER FROM WHAT IS SHOWN

# Control Panel Assembly

Ref. Part No:	No:	Description:	Ref. Part No:	No:	Description:
---------------	-----	--------------	---------------	-----	--------------

---

**Image 1:**

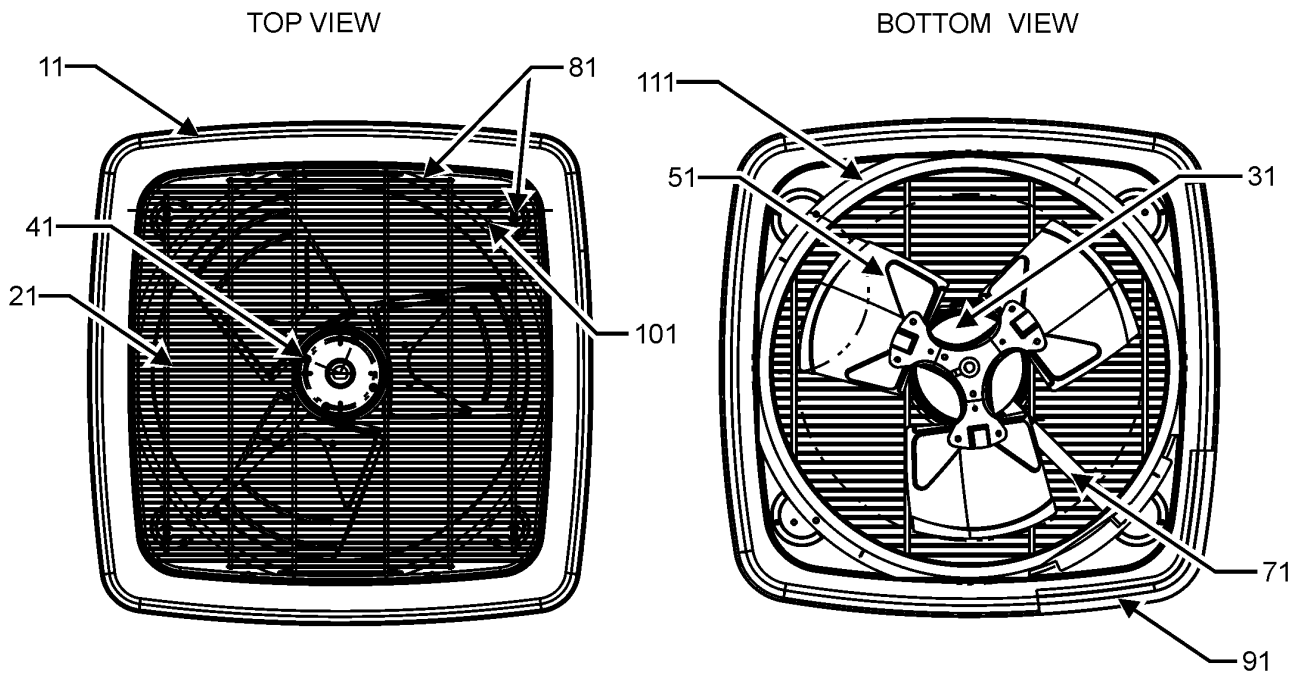
11	0121R00909PNG	PNL, LWR ACCESS (M3, M4)
11	0121R00912PNG	PNL, LWR ACCESS (M1, M2, M5)
11	0121R00916PNG	PNL, LWR ACCESS (M7)
11	0121R00917PNG	PNL, LWR ACCESS (M6)
21	0121R00937PNG	CONTROL COVER, SMALL PNT
51	B1378533	LUG GROUND SMALL 4T
71	CONT1P030024V	CONT, 1 POLE, 30 AMP, 24 VAC
81	CAB050350440CS	CAP, 5/35 MFD/440V RD - BPRF (M1, M2, M3)
81	CAB050400440CT	CAP, 5/40 MFD/440V RD - BPRF (M4, M6)
81	CAB050450440CT	CAP, 5/45 MFD/440V RD - BPRF (M5)
81	CAB050700440CT	CAP, 5/70 MFD/440V RD - BPRF (M7)
91	4400065	CAPACITOR STRAP
101	571006700	CoreSense Module
131	PCBDM133	PCB, DEFROST CONTROL
NS	0161R00093	NAMEPLATE, DAIKIN

**Expanded Model Nomenclature**

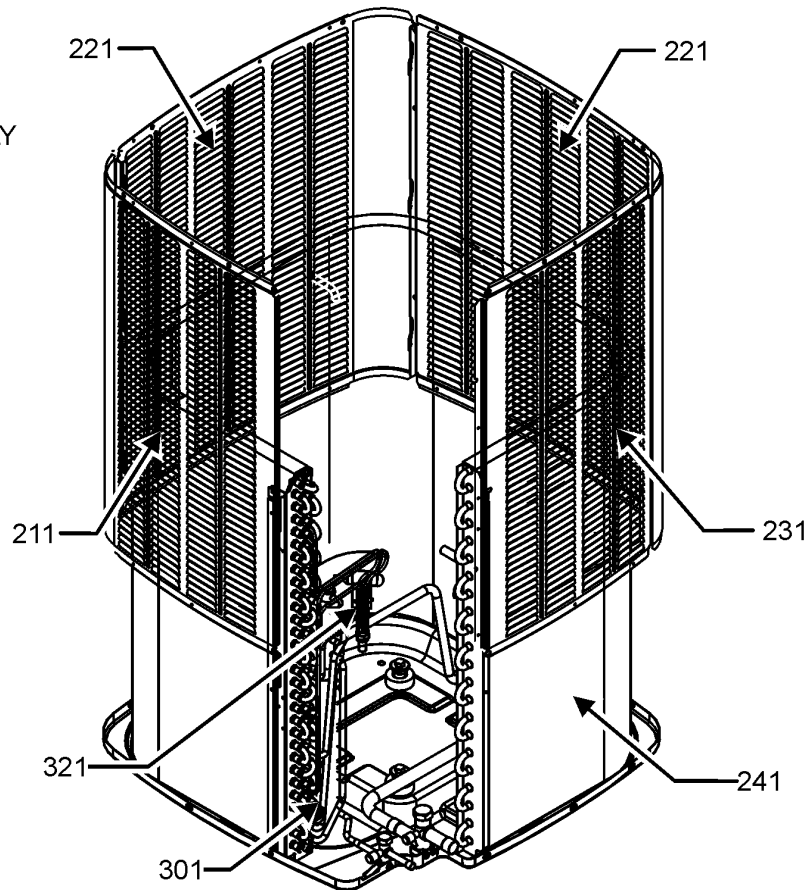
M1 - DZ4SEA1810AA
M2 - DZ4SEA2410AA
M3 - DZ4SEA3010AA
M4 - DZ4SEA3610AA
M5 - DZ4SEA4210AA
M6 - DZ4SEA4810AA
M7 - DZ4SEA6010AA

# Top Panel and Louver Assembly

## TOP PANEL AND LOUVER ASSEMBLY



## LOUVER ASSEMBLY



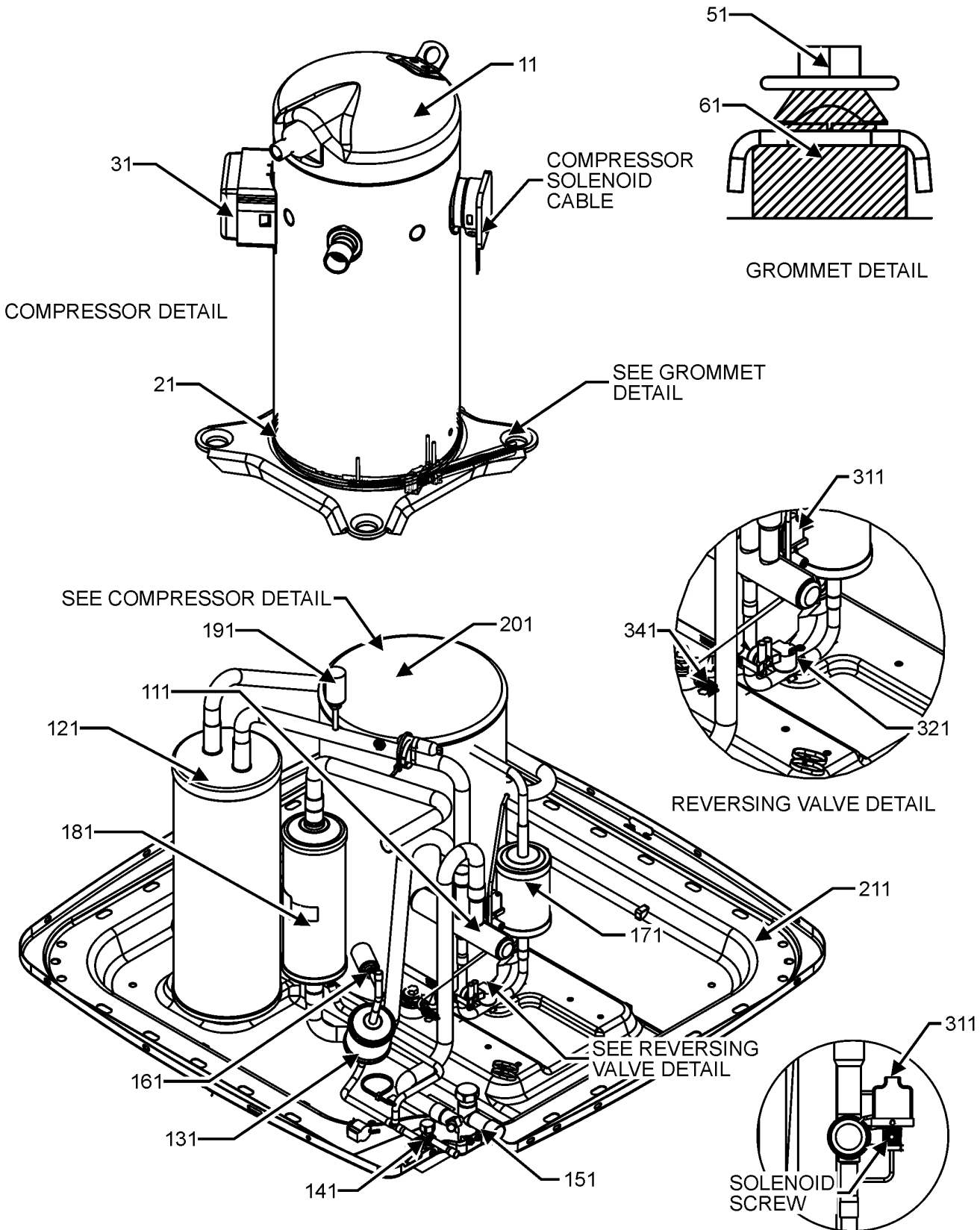
TOP PANEL AND LOUVER ASSEMBLY MAY DIFFER FROM WHAT IS SHOWN

# Top Panel and Louver Assembly

Ref. Part No:	Description:	Ref. Part No:	Description:
<b>Image 1:</b>		<b>Expanded Model Nomenclature</b>	
11	0121R00935PNG PANEL, TOP 29. PNT (M1, M2, M3)	M1	DZ4SEA1810AA
11	0121R00936PNG TOP PANEL, 35. PNT (M4, M5, M6, M7)	M2	DZ4SEA2410AA
21	0152R00025 29" GRILLE CFS (M1, M2, M3)	M3	DZ4SEA3010AA
21	0152R00026 GRILL, WIRE 35. TOP (M4, M5, M6, M7)	M4	DZ4SEA3610AA
31	0131M00807 MOTOR, 1/4HP,1SP,8PL,AL (M5, M6, M7)	M5	DZ4SEA4210AA
31	0131M00753 MOTOR, 1/6HP, 1SP, 8PL, AL (M1, M2, M3)	M6	DZ4SEA4810AA
31	0131M00945 MOTOR, 1/6HP, 8PL (M4)	M7	DZ4SEA6010AA
41	0163M00006P NUT, ACORN 5/16 HEX BLACK (QTY 4)		
51	0150M00008 FAN BLADE, 22" TNT2203-25 (M1, M2, M3)		
51	0150M00066 FAN BLADE, 26" (M4, M5, M6, M7)		
71	0161R00002P CONDUIT (M1, M2, M3)		
71	0161R00100 CONDUIT (M4, M5, M6, M7)		
81	0163M00003P SCREW #10 X 1/2, A, SLOT, SR, BLACK (QTY 6)		
91	0154R00045 GASKET CONTROL PANEL		
101	0163M00004 SCREW #10X3/4" BLK (QTY 4)		
111	0161R00104 29" VENTURI CFS (M1, M2, M3)		
111	0161R00105 35" VENTURI CFS (M4, M5, M6, M7)		
211	0121R00202PNG LOUVER, SIDE PANEL (M1, M2)		
211	0121R00203PNG LOUVER, SIDE PANEL (M3)		
211	0121R00240PNG LOUVER, SIDE PANEL, PNT (M4)		
211	0121R00927PNG PANEL 1, LOUVER 35_34.64 PNT (M6)		
211	0121R00239PNG PANEL 1, LOUVER 35, 5MM, PNT (M5)		
211	0121R00601PNG PANEL 1, LOUVER 35_39.84 PNT (M7)		
221	0121R00205PNG LOUVER, SIDE PANEL (M1, M2)		
221	0121R00206PNG LOUVER, SIDE PANEL (M3)		
221	0121R00244PNG LOUVER, SIDE PANEL, PNT (M4)		
221	0121R00243PNG PANEL 2, LOUVER 35, 5MM, PNT (M5)		
221	0121R00928PNG PANEL 2, LOUVER 35_34.64 PNT (M6)		
221	0121R00514PNG PANEL 2, LOUVER 35_39.84 PNT (M7)		
231	0121R00194PNG LOUVER, SIDE PANEL (M1, M2)		
231	0121R00195PNG LOUVER, SIDE PANEL (M3)		
231	0121R00248PNG LOUVER, SIDE PANEL, PNT (M4)		
231	0121R00247PNG PANEL 3, LOUVER 35, 5MM, PNT (M5)		
231	0121R00929PNG PANEL 3, LOUVER 35_34.64 PNT (M6)		
231	0121R00603PNG PANEL 3, LOUVER 35_39.84 PNT (M7)		
241	0201R00759 COIL TUBING ASSY (M5)		
241	0201R00764 COIL TUBING ASSY (M4)		
241	0201R00766 COIL TUBING ASSY (M3)		
241	0201R00780 COIL TUBING ASSY (M6)		
241	0201R00782 COIL TUBING ASSY (M7)		
241	0201R00818 COIL TUBING ASSY (M1, M2)		
301	0130M00250 CONTROL, DEFROST (M6, M7)		
301	0130M00723 CONTROL, DEFROST (M1, M2, M3, M4, M5)		
321	0151R00213 ADJUSTABLE VALVE, TXV R410A (M1, M2)		
321	0151R00215 ADJUSTABLE VALVE, TXV R410A (M3)		
321	0151R00216 ADJUSTABLE VALVE, TXV R410A (M4)		
321	0151R00217 ADJUSTABLE VALVE, TXV R410A (M5)		
321	0151R00230 ADJUSTABLE VALVE, TXV R410A (M6)		
321	0151R00231 ADJUSTABLE VALVE, TXV R410A (M7)		
NS	0163M00005P WASHER, BLACK (.50 OD .218ID) (QTY 4)		

# Compressor and Tubing Assembly

TUBING ASSEMBLY



TUBING ASSEMBLY MAY DIFFER FROM WHAT IS SHOWN



# Compressor and Tubing Assembly

Ref. Part No:	Part No:	Description:	Ref. Part No:	Part No:	Description:
---------------	----------	--------------	---------------	----------	--------------

**Image 1:**

11	ZP25K7EPFV130	COMP, 208/230/60/1 (M3)			
11	ZP14K7EPFV130	COMPRESSOR, 1.5 TON (M1)			
11	ZP20K7EPFV130	COMPRESSOR, 2 TON (M2)			
11	ZP31K7EPFV130	COMPRESSOR, COPELAND (M4)			
11	ZP34K7EPFV130	COMPRESSOR, COPELAND (M5)			
11	ZP40K7EPFV130	COMPRESSOR, COPELAND (M6)			
11	ZP51K7EPFV130	COMPRESSOR, COPELAND (M7)			
21	0163R00006	HEATER, CRANKCASE 230V, 40W (M1, M2, M3, M4)			
21	0163R00007	HEATER, CRANKCASE 230V, 40W (M5, M6, M7)			
31	0159R00001P	HARNESS, COMP SCROLL 130 42" (M1, M2, M3)			
31	0159R00002P	HARNESS, COMP SCROLL 130 46" (M4, M5, M6, M7)			
51	M0221641	TF SHOULDER SCREW (QTY 4)			
61	B1339533	COMPRESSOR GROMMET (QTY 4)			
111	0151R00068	REVERSING VALVE (M1, M2, M3)			
111	0151R00071	REVERSING VALVE (M4, M5, M6, M7)			
121	0151L00009	ACCUMULATOR (M6)			
121	0151L00010	ACCUMULATOR (M7)			
121	B1226207	ACCUMULATOR (M3, M4, M5)			
121	0151R00004P	ACCUMULATOR 3/4 (M1, M2)			
131	0162R00056	FILTER/DRIER-BI-FLOW			
141	0151R00187	BASE VALVE 3/8"			
151	0151R00185	BASE VALVE 3/4" (M1, M2, M3)			
151	0151R00186	BASE VALVE 7/8" (M4, M5, M6, M7)			
161	0130M00089	SW-CUTOUT HI PRESS			
171	0162R00007	MUFFLER 1/2 X 1/2			
181	0151R00218	COMPENSATOR (M7)			
191	0130M00088	SW-CUTOUT LOW PRESS			
201	0160M00035	COMPRESSOR BLANKET (M1, M2, M3, M4)			
201	0160M00039	COMPRESSOR BLANKET (M5, M6, M7)			
211	0121R00006PNG	BASE PAN, 29" PNT (M1, M2, M3)			
211	0121R00007PNG	BASE PAN, 35.5" PNT (M4, M5, M6, M7)			
311	0130M00410	REVERSING VALVE HARNESS			
321	0130M00106	DISC THERMOSTAT CRNKCS HTR SW			
331	0130M00349	DISC-THERMOSTAT			
341	B1787000	VALVE CORE			
NS	0163M00175	CAP WITH O-RING			
NS	B1225022	SOLENOID COIL			

**Expanded Model Nomenclature**

- |                   |
|-------------------|
| M1 - DZ4SEA1810AA |
| M2 - DZ4SEA2410AA |
| M3 - DZ4SEA3010AA |
| M4 - DZ4SEA3610AA |
| M5 - DZ4SEA4210AA |
| M6 - DZ4SEA4810AA |
| M7 - DZ4SEA6010AA |