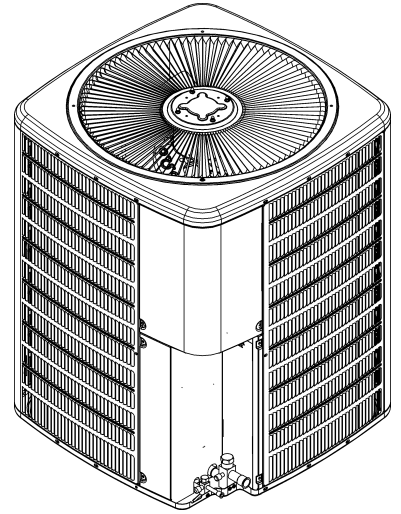


DC3SEA Remote Condensing Unit

DC3SEA3630AA
DC3SEA3640AA
DC3SEA4830AA
DC3SEA4840AA
DC3SEA6030AA
DC3SEA6040AA



This manual is to be used by qualified technicians only.

Important Information

Index

Functional Parts List	3
Illustration and Parts	4 - 9

Views shown are for parts illustrations only, not servicing procedures.

Text Codes:

AR - As Required

NA - Not Available

NS - Not Shown

00000000 - See Note

QTY - Quantity Example (QTY 3) (If Quantity not shown, Quantity = 1)

M - Model Example (M1) (If M Code not shown, then part is used on all Models)

Expanded Model Nomenclature:

Example M1 - Model#1 M2 - Model#2 M3 - Model#3

Daikin Comfort Technologies Manufacturing , L.P. is not responsible for personal injury or property damage resulting from improper service. Review all service information before beginning repairs.

Warranty service must be performed by an authorized technician, using authorized factory parts. If service is required after the warranty expires, Daikin Comfort Technologies Manufacturing , L.P. also recommends contacting an authorized technician and using authorized factory parts.

Daikin Comfort Technologies Manufacturing , L.P. reserves the right to discontinue, or change at any time, specifications or designs without notice or without incurring obligations.

For assistance within the U.S.A. contact:
Homeowner Support
Daikin Comfort Technologies Manufacturing , L.P.
19001 Kermier Road
Waller, Texas 77484
855-770-5678-Telephone
713-863-2382-Facsimile

For assistance outside the U.S.A. contact:
International Division
Daikin Comfort Technologies Manufacturing , L.P.
19001 Kermier Road
Waller, Texas 77484
713-861-2500-Telephone
713-863-2382-Facsimile

Functional Parts

Part

No: Description:

0151R00285	BASE VALVE 3/4", R32 (M1, M2)
0151R00287	BASE VALVE 3/8", R32
0151R00286	BASE VALVE 7/8", R32 (M3, M4, M5, M6)
0150M00012	BLADE-FAN 20" CCW (M1, M2)
CAB050000440LA	CAPACITOR
YP29K1TTFDASE	COMPRESSOR (M2)
YP40K1TTF5ASC	COMPRESSOR (M3)
YP40K1TTFDASC	COMPRESSOR (M4)
YP51K1TTF5ASC	COMPRESSOR (M5)
YP51K1TTFDASC	COMPRESSOR (M6)
YP29K1TTF5ASE	COMPRESSOR (M1)
CONT3P030024D	CONT, 3 POLE, 30 AMP, 24VAC
0150M00008	FAN BLADE, 22" TNT2203-25 (M3, M4)
0150M00066	FAN BLADE, 26" (M5, M6)
0131M01131	MOTOR, 1/4 HP (M4)
0131M00783	MOTOR, 1/4HP 8PL 460V (M6)
0131M00807	MOTOR, 1/4HP,1SP,8PL,AL (M5)
0131M00784	MOTOR, 1/6HP 8PL 460V (M2)
0131M00969	MOTOR, 1/8HP, 8PL, PSC (M1)
0131M00954	MOTOR, OD, PSC, 1/4HP (M3)
0130M20001	SWITCH, HIGH PRESSURE

SPECIAL PARTS

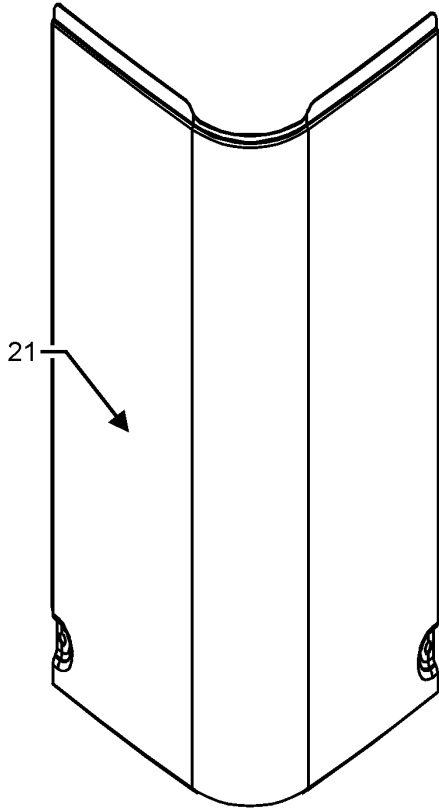
0161R00093 NAMEPLATE, DAIKIN

Expanded Model Nomenclature

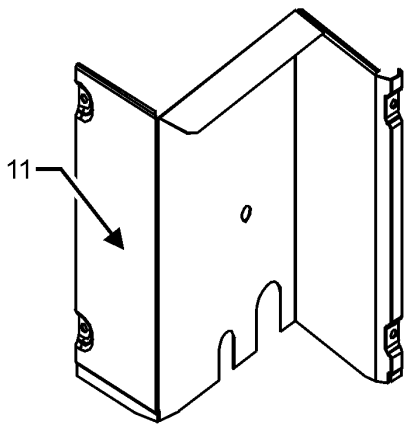
M1 - DC3SEA3630AA
M2 - DC3SEA3640AA
M3 - DC3SEA4830AA
M4 - DC3SEA4840AA
M5 - DC3SEA6030AA
M6 - DC3SEA6040AA

Control Panel Assembly

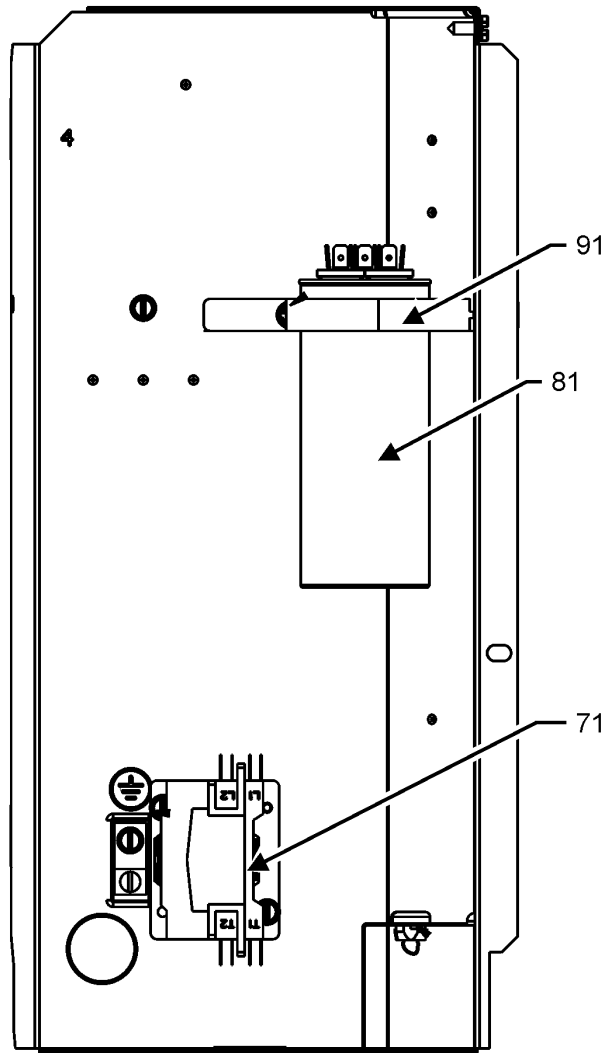
CONTROL PANEL ASSEMBLY



UPPER ACCESS COVER



LOWER ACCESS PANEL



CONTROL PANEL ASSEMBLY MAY DIFFER FROM WHAT IS SHOWN

Control Panel Assembly

Ref. Part No:	Description:	Ref. Part No:	Description:
---------------	--------------	---------------	--------------

Image 1:

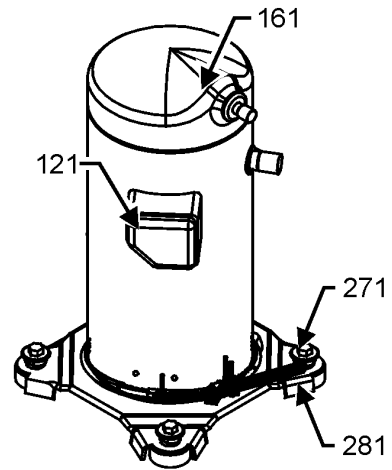
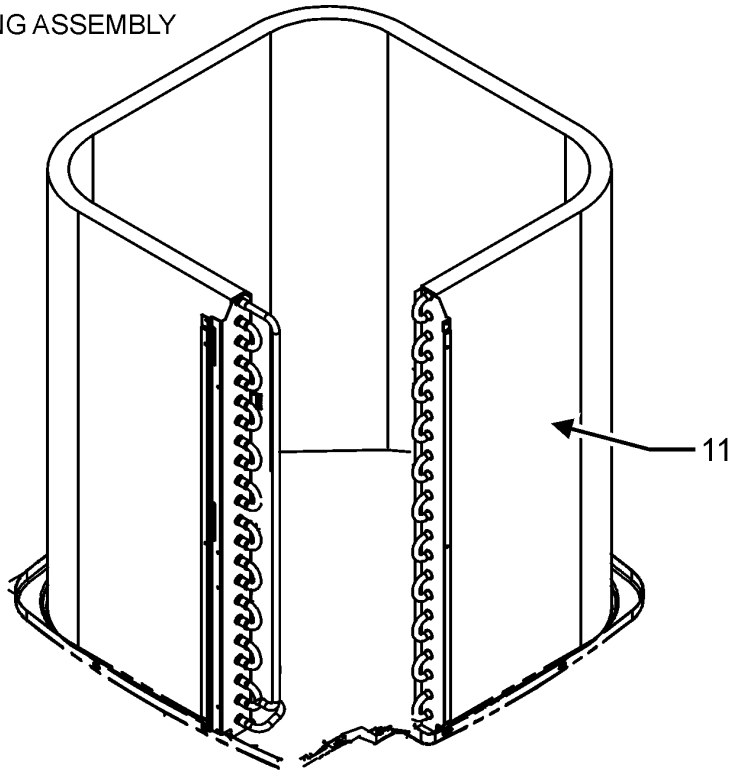
11	0121R00909PNG	PNL, LWR ACCESS (M3, M4, M5, M6)
11	0121R00919PNG	PNL, LWR ACCESS (M1, M2)
21	0121R00937PNG	CONTROL COVER, SMALL PNT
71	CONT3P030024D	CONT, 3 POLE, 30 AMP, 24VAC
81	CAB050000440LA	CAPACITOR
91	4400065	CAPACITOR STRAP
NS	0161R00093	NAMEPLATE, DAIKIN

Expanded Model Nomenclature

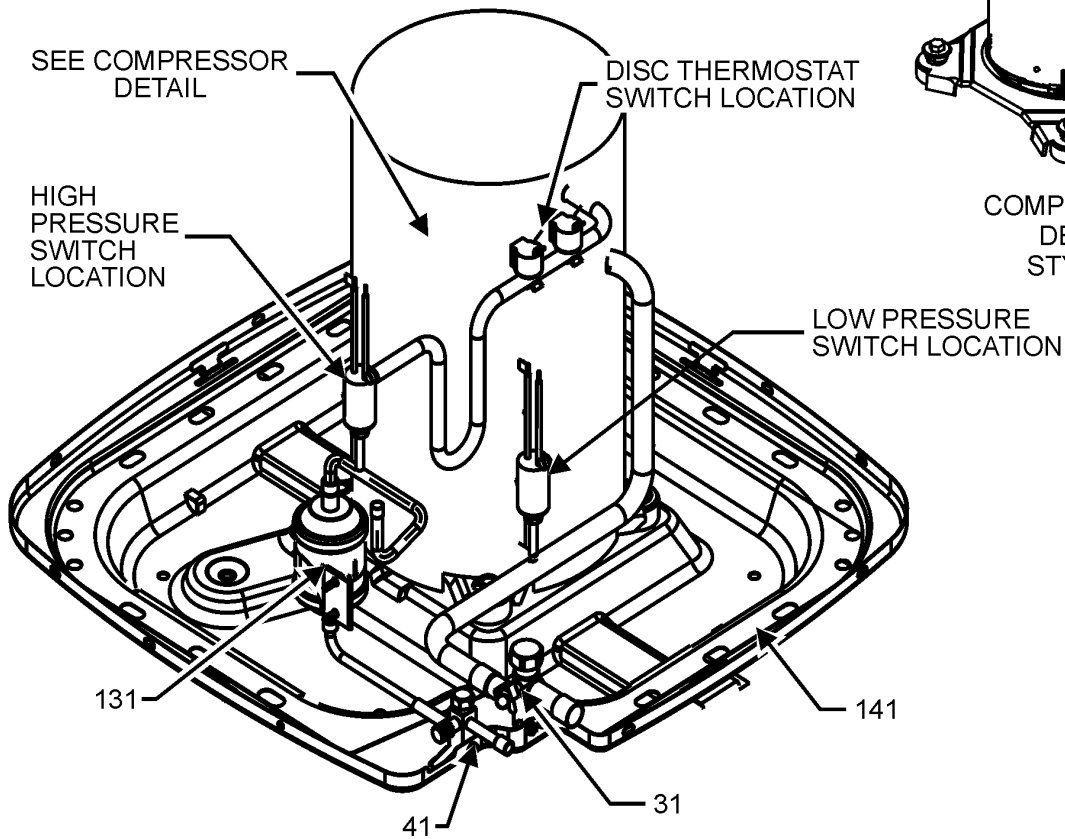
- M1 - DC3SEA3630AA
- M2 - DC3SEA3640AA
- M3 - DC3SEA4830AA
- M4 - DC3SEA4840AA
- M5 - DC3SEA6030AA
- M6 - DC3SEA6040AA

Compressor and Tubing Assembly

TUBING ASSEMBLY



COMPRESSOR
DETAIL
STYLE 2



ACTUAL TUBING ASSEMBLY MAY DIFFER FROM WHAT IS SHOWN

Compressor and Tubing Assembly

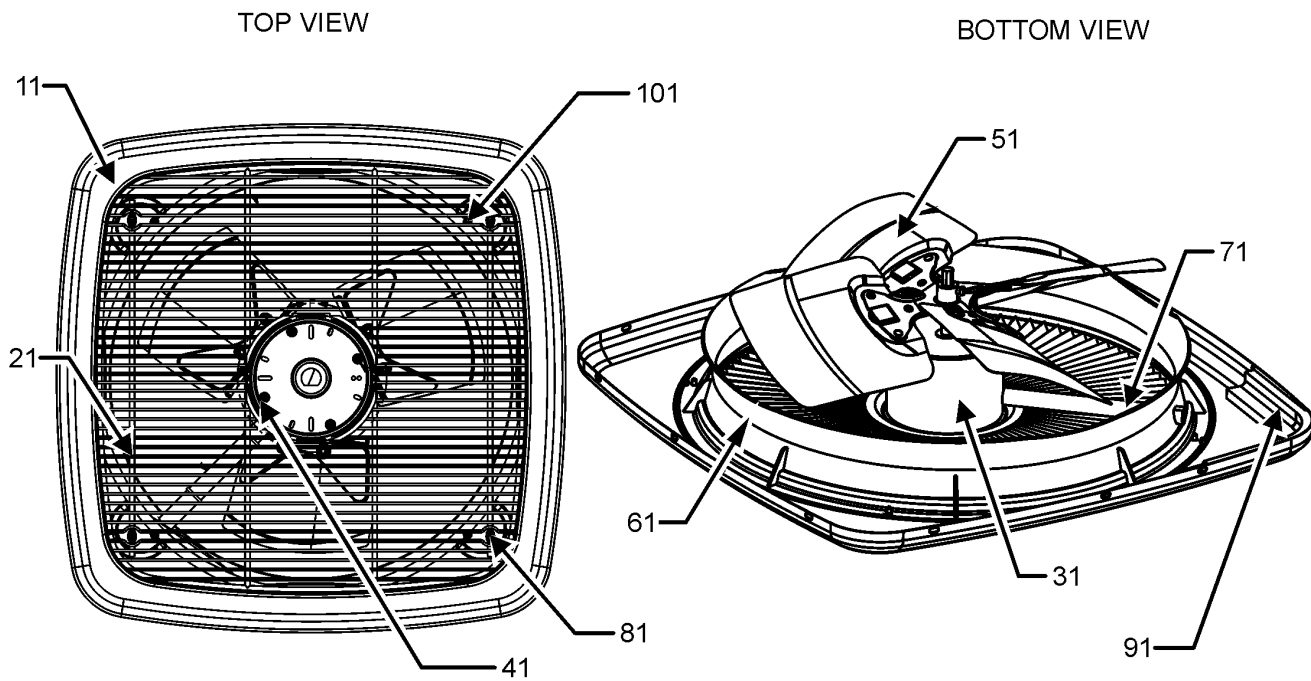
Ref. Part No:	No:	Description:	Ref. Part No:	No:	Description:
Image 1:					
11	0201R00666	COIL TUBING ASSY (M1, M2)			
11	0201R00809	COIL TUBING ASSY (M5, M6)			
11	0201R00816	COIL TUBING ASSY (M3, M4)			
31	0151R00285	BASE VALVE 3/4", R32 (M1, M2)			
31	0151R00286	BASE VALVE 7/8", R32 (M3, M4, M5, M6)			
41	0151R00287	BASE VALVE 3/8", R32			
121	0159R00008	HARNESS, COMP (M1, M2)			
121	0159R00009	HARNESS, COMP (M3, M4, M5, M6)			
131	0162R00057	FILTER DRIER			
141	0121R00005PNG	BASE PAN, 26" PNT (M1, M2)			
141	0121R00006PNG	BASE PAN, 29" PNT (M3, M4)			
141	0121R01090PNG	PAINTED, BASE PAN (M5, M6)			
161	YP29K1TTF5ASE	COMPRESSOR (M1)			
161	YP29K1TTFDASE	COMPRESSOR (M2)			
161	YP40K1TTF5ASC	COMPRESSOR (M3)			
161	YP40K1TTFDASC	COMPRESSOR (M4)			
161	YP51K1TTF5ASC	COMPRESSOR (M5)			
161	YP51K1TTFDASC	COMPRESSOR (M6)			
271	M0221641	TF SHOULDER SCREW (QTY 4)			
281	B1339533	GROMMET, COMPRESSOR SCROLL (QTY 4)			
NS	0130M20001	SWITCH, HIGH PRESSURE			

Expanded Model Nomenclature

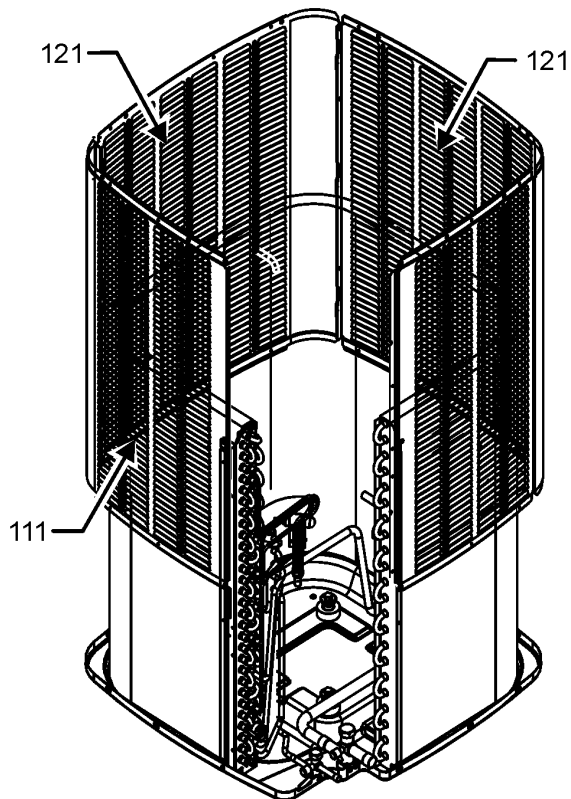
M1 - DC3SEA3630AA
M2 - DC3SEA3640AA
M3 - DC3SEA4830AA
M4 - DC3SEA4840AA
M5 - DC3SEA6030AA
M6 - DC3SEA6040AA

Top and Louver Panel Assembly

TOP PANEL AND LOUVER PANEL ASSEMBLY



LOUVER PANEL ASSEMBLY STYLE 1



TOP PANEL AND LOUVER ASSEMBLY MAY DIFFER FROM WHAT IS SHOWN

Top and Louver Panel Assembly

Ref. Part No:	Part No:	Description:	Ref. Part No:	Part No:	Description:
---------------	----------	--------------	---------------	----------	--------------

Image 1:

11	0121R00931PNG	PANEL, TOP 26. PNT (M1, M2)
11	0121R00935PNG	PANEL, TOP 29. PNT (M3, M4)
11	0121R00936PNG	TOP PANEL, 35. PNT (M5, M6)
21	0152R00024	26" GRILLE CFS (M1, M2)
21	0152R00025	29" GRILLE CFS (M3, M4)
21	0152R00026	GRILL, WIRE 35. TOP (M5, M6)
31	0131M01131	MOTOR, 1/4 HP (M4)
31	0131M00783	MOTOR, 1/4HP 8PL 460V (M6)
31	0131M00807	MOTOR, 1/4HP,1SP,8PL,AL (M5)
31	0131M00784	MOTOR, 1/6HP 8PL 460V (M2)
31	0131M00969	MOTOR, 1/8HP, 8PL, PSC (M1)
31	0131M00954	MOTOR, OD, PSC, 1/4HP (M3)
41	M0280801	NUT-HEX (QTY 4)
51	0150M00012	BLADE-FAN 20" CCW (M1, M2)
51	0150M00008	FAN BLADE, 22" TNT2203-25 (M3, M4)
51	0150M00066	FAN BLADE, 26" (M5, M6)
61	0161R00103	26" VENTURI CFS (M1, M2)
61	0161R00104	29" VENTURI CFS (M3, M4)
61	0161R00105	35" VENTURI CFS (M5, M6)
71	0161R00005P	CONDUIT (M5, M6)
71	0161R00122	CONDUIT (M1, M2)
71	0161R20000	CONDUIT (M3, M4)
81	0163M00003P	SCREW,#10 X 1/2,A,SLOT,SR,BLK (QTY 6)
91	0154R00045	GASKET, CONTROL PANEL
101	0163M00004	SCREW 10X3/4 BLK (QTY 4)
111	0121R00203PNG	LOUVER, SIDE PANEL (M3, M4)
111	0121R00208PNG	LOUVER, SIDE PANEL (M1, M2)
111	0121R00240PNG	LOUVER, SIDE PANEL, PNT (M5, M6)
121	0121R00199PNG	LOUVER, SIDE PANEL (M1, M2)
121	0121R00206PNG	LOUVER, SIDE PANEL (M3, M4)
121	0121R00244PNG	LOUVER, SIDE PANEL, PNT (M5, M6)
131	0121R00195PNG	LOUVER, SIDE PANEL (M3, M4)
131	0121R00197PNG	LOUVER, SIDE PANEL (M1, M2)
131	0121R00248PNG	LOUVER, SIDE PANEL, PNT (M5, M6)

Expanded Model Nomenclature

- | |
|-------------------|
| M1 - DC3SEA3630AA |
| M2 - DC3SEA3640AA |
| M3 - DC3SEA4830AA |
| M4 - DC3SEA4840AA |
| M5 - DC3SEA6030AA |
| M6 - DC3SEA6040AA |