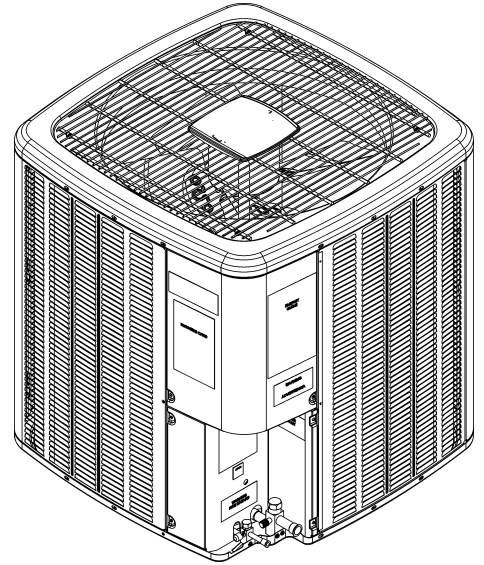


DH4SEA Remote Heat Pump

DH4SEA3630AA
DH4SEA3640AA
DH4SEA4830AA
DH4SEA4840AA
DH4SEA6030AA
DH4SEA6040AA



This manual is to be used by qualified technicians only.

Important Information

Index

Functional Parts List	3
Illustration and Parts	4 - 9

Views shown are for parts illustrations only, not servicing procedures.

Text Codes:

AR - As Required

NA - Not Available

NS - Not Shown

00000000 - See Note

QTY - Quantity Example (QTY 3) (If Quantity not shown, Quantity = 1)

M - Model Example (M1) (If M Code not shown, then part is used on all Models)

Expanded Model Nomenclature:

Example
M1 - Model#1
M2 - Model#2
M3 - Model#3

Daikin Comfort Technologies Manufacturing , L.P. is not responsible for personal injury or property damage resulting from improper service. Review all service information before beginning repairs.

Warranty service must be performed by an authorized technician, using authorized factory parts. If service is required after the warranty expires, Daikin Comfort Technologies Manufacturing , L.P. also recommends contacting an authorized technician and using authorized factory parts.

Daikin Comfort Technologies Manufacturing , L.P. reserves the right to discontinue, or change at any time, specifications or designs without notice or without incurring obligations.

For assistance within the U.S.A. contact:
Homeowner Support
Daikin Comfort Technologies Manufacturing , L.P.
19001 Kermier Road
Waller, Texas 77484
855-770-5678-Telephone
713-863-2382-Facsimile

For assistance outside the U.S.A. contact:
International Division
Daikin Comfort Technologies Manufacturing , L.P.
19001 Kermier Road
Waller, Texas 77484
713-861-2500-Telephone
713-863-2382-Facsimile

Functional Parts

Part

No: Description:

0151R00287	BASE VALVE 3/8", R32
0151R00286	BASE VALVE 7/8", R32
CAB050000440LA	CAPACITOR
YP40K1TTFDASC	COMPRESSOR (M4)
YP40K1TTF5ASC	COMPRESSOR (M3)
YP51K1TTF5ASC	COMPRESSOR (M5)
YP51K1TTFDASC	COMPRESSOR (M6)
YP31K1TTFDASE	COMPRESSOR (M2)
YP31K1TTF5ASE	COMPRESSOR (M1)
CONT3P030024D	CONT, 3 POLE, 30 AMP, 24VAC
0130M00884	CONTROL, DEFROST (M1, M2)
0130M00250	CONTROL, DEFROST (M3, M4, M5, M6)
0150M00066	FAN BLADE, 26"
0163R00031	HEATER CRANKCASE 460V, 40W (M2)
0163R00004	HEATER CRANKCASE, 460V, 40W (M4, M6)
0163R00003	HEATER, CRANKCASE 230V 40W (M3, M5)
0163R00002	HEATER, CRANKCASE 230V, 40W (M1)
0131M00783	MOTOR, 1/4HP 8PL 460V (M4, M6)
0131M00807	MOTOR, 1/4HP,1SP,8PL,AL (M3, M5)
0131M00784	MOTOR, 1/6HP 8PL 460V (M2)
0131M00945	MOTOR, 1/6HP, 8PL (M1)
PCBDM101	PCB, DEFROST CONTROL
0151R00071	REVERSING VALVE (M3, M4, M5, M6)
0151R00288	REVERSING VALVE (M1, M2)
B1225022	SOLENOID COIL
0130R00001	SW-CUTOUT LOW PRESS
0130M20000	SWITCH, HIGH PRESSURE
0151R00260	VALVE, ADJUSTABLE (M5, M6)
0151R00259	VALVE, ADJUSTABLE (M3, M4)
0151R00257	VALVE, ADJUSTABLE (M1, M2)

SPECIAL PARTS

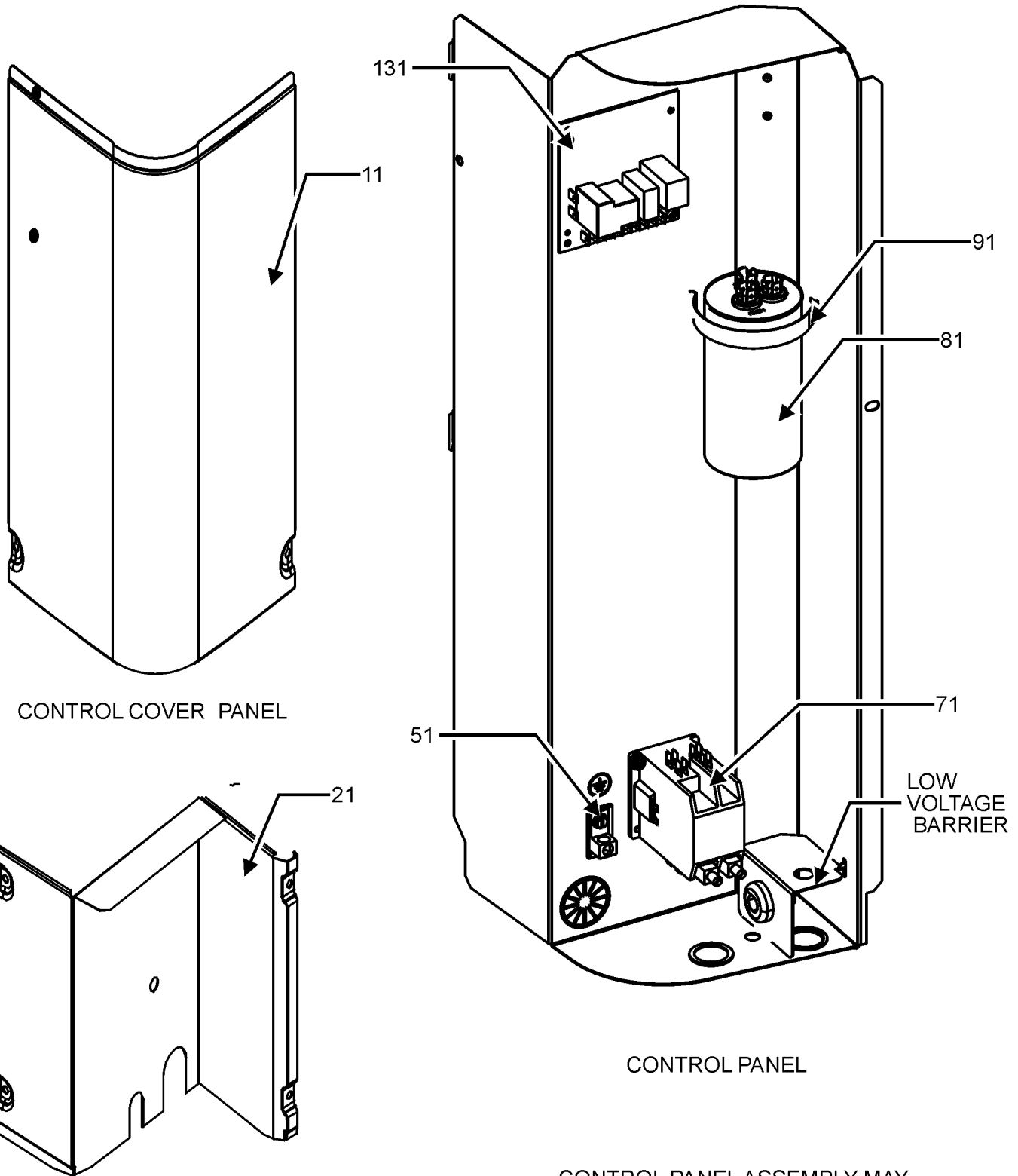
0161R00093 NAMEPLATE, DAIKIN

Expanded Model Nomenclature

M1 - DH4SEA3630AA
M2 - DH4SEA3640AA
M3 - DH4SEA4830AA
M4 - DH4SEA4840AA
M5 - DH4SEA6030AA
M6 - DH4SEA6040AA

Control Panel Assembly

CONTROL PANEL ASSEMBLY



CONTROL PANEL ASSEMBLY MAY DIFFER FROM WHAT IS SHOWN

Control Panel Assembly

Ref. Part No:	No:	Description:	Ref. Part No:	No:	Description:
---------------	-----	--------------	---------------	-----	--------------

Image 1:

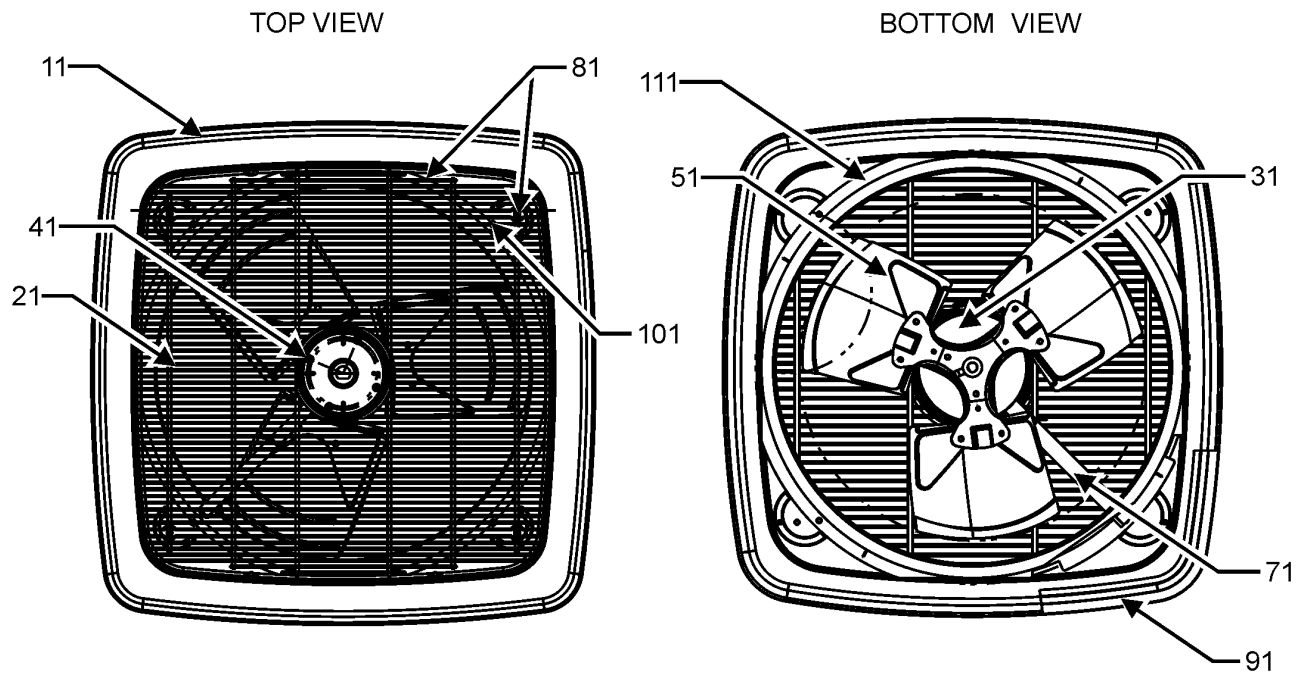
11	0121R00937PNG	CONTROL COVER, SMALL PNT
21	0121R00912PNG	PNL, LWR ACCESS (M1, M2)
21	0121R00916PNG	PNL, LWR ACCESS (M5, M6)
21	0121R00917PNG	PNL, LWR ACCESS (M3, M4)
51	B1378533	LUG GROUND SMALL 4T
71	CONT3P030024D	CONT, 3 POLE, 30 AMP, 24VAC
81	CAB050000440LA	CAPACITOR
91	4400065	CAPACITOR STRAP
131	PCBDM101	PCB, DEFROST CONTROL
NS	0161R00093	NAMEPLATE, DAIKIN

Expanded Model Nomenclature

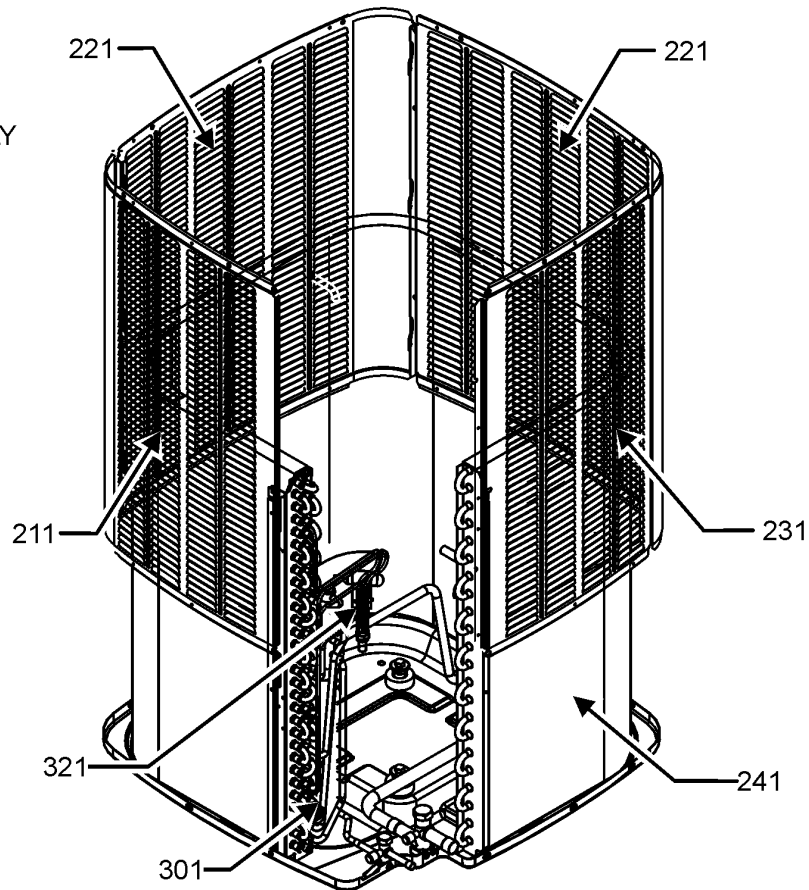
- M1 - DH4SEA3630AA
- M2 - DH4SEA3640AA
- M3 - DH4SEA4830AA
- M4 - DH4SEA4840AA
- M5 - DH4SEA6030AA
- M6 - DH4SEA6040AA

Top Panel and Louver Assembly

TOP PANEL AND LOUVER ASSEMBLY



LOUVER ASSEMBLY



TOP PANEL AND LOUVER ASSEMBLY MAY DIFFER FROM WHAT IS SHOWN

Top Panel and Louver Assembly

Ref. Part No:	Part No:	Description:	Ref. Part No:	Part No:	Description:
---------------	----------	--------------	---------------	----------	--------------

Image 1:

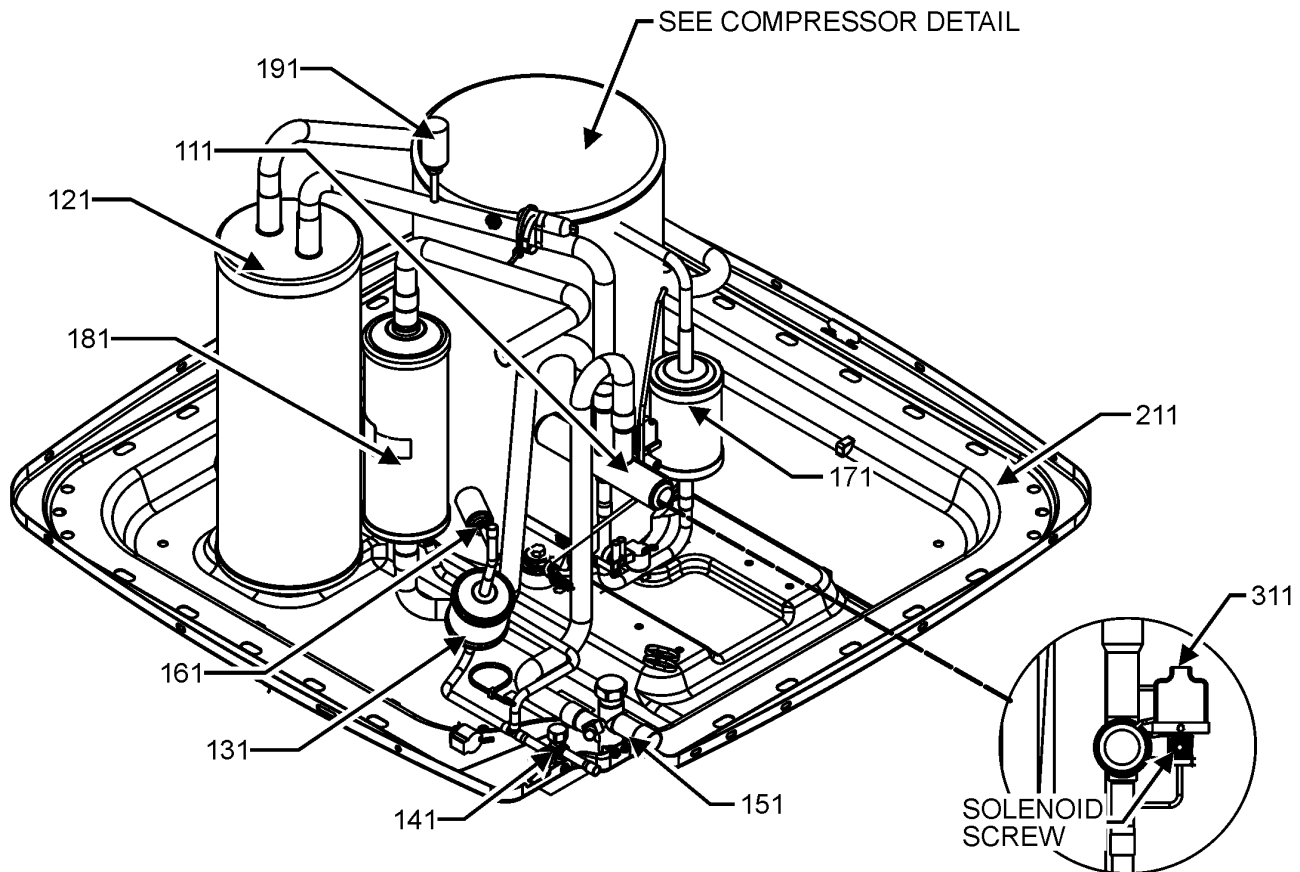
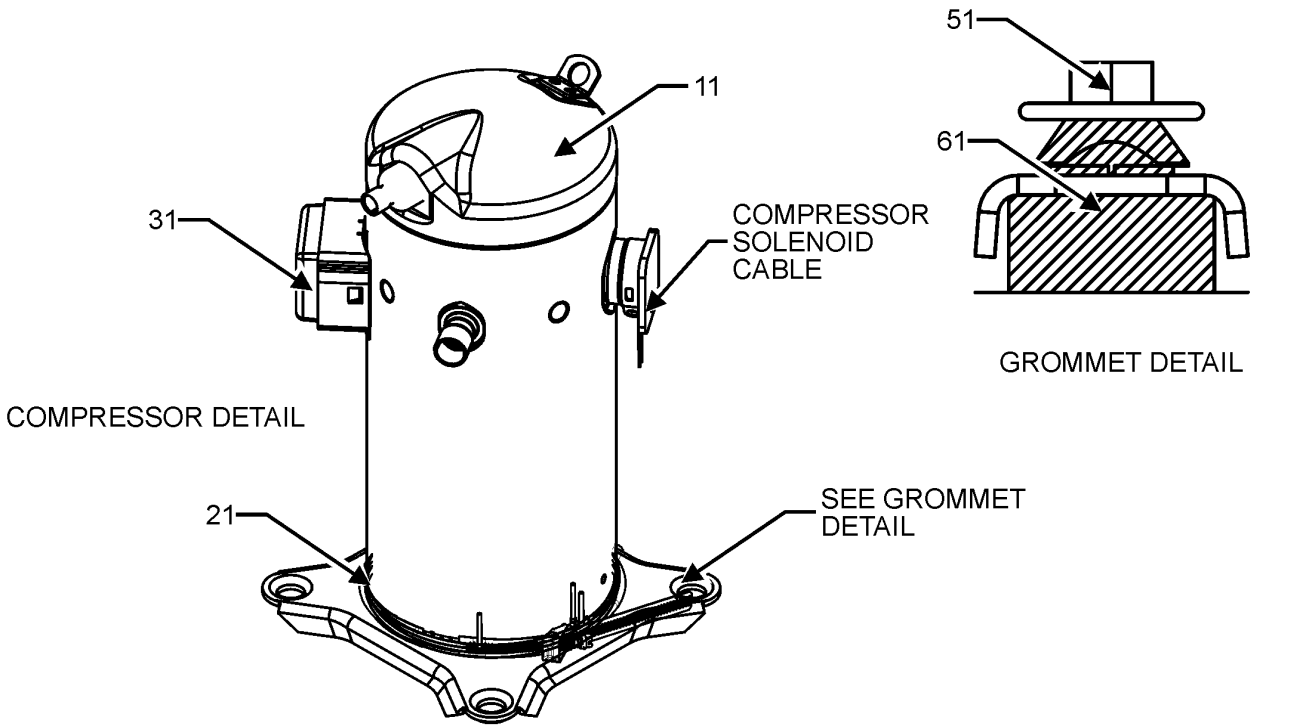
11	0121R00936PNG	TOP PANEL, 35. PNT
21	0152R00026	GRILL, WIRE 35. TOP
31	0131M00783	MOTOR, 1/4HP 8PL 460V (M4, M6)
31	0131M00807	MOTOR, 1/4HP,1SP,8PL,AL (M3, M5)
31	0131M00784	MOTOR, 1/6HP 8PL 460V (M2)
31	0131M00945	MOTOR, 1/6HP, 8PL (M1)
41	M0280801	NUT-HEX (QTY 4)
51	0150M00066	FAN BLADE, 26"
71	0161R00005P	CONDUIT
81	0163M00003P	SCREW #10 X 1/2, A, SLOT, SR, BLACK (QTY 6)
91	0154R00045	GASKET CONTROL PANEL
101	0163M00004	SCREW #10X3/4" BLK (QTY 4)
111	0161R00105	35" VENTURI CFS
211	0121R00927PNG	PANEL 1, LOUVER 35_34.64 PNT (M3, M4)
211	0121R00239PNG	PANEL 1, LOUVER 35, 5MM, PNT (M1, M2)
211	0121R00601PNG	PANEL 1, LOUVER 35_39.84 PNT (M5, M6)
221	0121R00243PNG	PANEL 2, LOUVER 35, 5MM, PNT (M1, M2)
221	0121R00928PNG	PANEL 2, LOUVER 35_34.64 PNT (M3, M4)
221	0121R00514PNG	PANEL 2, LOUVER 35_39.84 PNT (M5, M6)
231	0121R00247PNG	PANEL 3, LOUVER 35, 5MM, PNT (M1, M2)
231	0121R00929PNG	PANEL 3, LOUVER 35_34.64 PNT (M3, M4)
231	0121R00603PNG	PANEL 3, LOUVER 35_39.84 PNT (M5, M6)
241	0201R00780	COIL TUBING ASSY (M3, M4)
241	0201R00851	COIL TUBING ASSY (M1, M2)
241	0201R00859	COIL TUBING ASSY (M5, M6)
301	0130M00250	CONTROL, DEFROST (M3, M4, M5, M6)
301	0130M00884	CONTROL, DEFROST (M1, M2)
321	0151R00257	VALVE, ADJUSTABLE (M1, M2)
321	0151R00259	VALVE, ADJUSTABLE (M3, M4)
321	0151R00260	VALVE, ADJUSTABLE (M5, M6)

Expanded Model Nomenclature

M1 - DH4SEA3630AA
M2 - DH4SEA3640AA
M3 - DH4SEA4830AA
M4 - DH4SEA4840AA
M5 - DH4SEA6030AA
M6 - DH4SEA6040AA

Compressor and Tubing Assembly

TUBING ASSEMBLY



TUBING ASSEMBLY MAY DIFFER FROM WHAT IS SHOWN

Compressor and Tubing Assembly

Ref. Part No:	Part No:	Description:	Ref. Part No:	Part No:	Description:
---------------	----------	--------------	---------------	----------	--------------

Image 1:

11	YP31K1TTF5ASE	COMPRESSOR (M1)
11	YP31K1TTFDASE	COMPRESSOR (M2)
11	YP40K1TTF5ASC	COMPRESSOR (M3)
11	YP40K1TTFDASC	COMPRESSOR (M4)
11	YP51K1TTF5ASC	COMPRESSOR (M5)
11	YP51K1TTFDASC	COMPRESSOR (M6)
21	0163R00031	HEATER CRANKCASE 460V, 40W (M2)
21	0163R00004	HEATER CRANKCASE, 460V, 40W (M4, M6)
21	0163R00003	HEATER, CRANKCASE 230V 40W (M3, M5)
21	0163R00002	HEATER, CRANKCASE 230V, 40W (M1)
31	0159R00009	HARNESS, COMP
51	M0221641	TF SHOULDER SCREW (QTY 4)
61	B1339533	COMPRESSOR GROMMET (QTY 4)
111	0151R00071	REVERSING VALVE (M3, M4, M5, M6)
111	0151R00288	REVERSING VALVE (M1, M2)
121	0151L00009	ACCUMULATOR (M3, M4, M5, M6)
121	B1226207	ACCUMULATOR (M1, M2)
131	0162R00056	FILTER/DRIER-BI-FLOW
141	0151R00287	BASE VALVE 3/8", R32
151	0151R00286	BASE VALVE 7/8", R32
161	0130M20000	SWITCH, HIGH PRESSURE
171	0162R00007	MUFFLER 1/2 X 1/2
181	0151R00237	COMPENSATOR (M5, M6)
191	0130R00001	SW-CUTOUT LOW PRESS
211	0121R01090PNG	PAINTED, BASE PAN
311	0130M00410	REVERSING VALVE HARNESS
341	0151M00104	VALVE CORE
NS	0163M00629	RED CAP WITH O-RING
NS	B1225022	SOLENOID COIL

Expanded Model Nomenclature

- | |
|-------------------|
| M1 - DH4SEA3630AA |
| M2 - DH4SEA3640AA |
| M3 - DH4SEA4830AA |
| M4 - DH4SEA4840AA |
| M5 - DH4SEA6030AA |
| M6 - DH4SEA6040AA |