

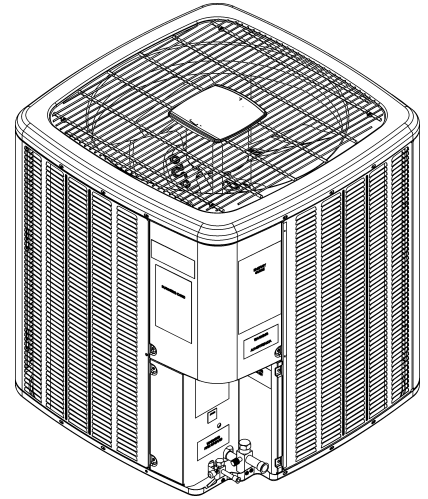
DC6TE Remote Air Conditioner

DC6TE09030AA

DC6TE09040AA

DC6TE12030AA

DC6TE12040AA



This manual is to be used by qualified technicians only.

Important Information

Index

| | |
|------------------------------|-------|
| Functional Parts List | 3 |
| Illustration and Parts | 4 - 9 |

Views shown are for parts illustrations only, not servicing procedures.

Text Codes:

AR - As Required

NA - Not Available

NS - Not Shown

00000000 - See Note

QTY - Quantity Example (QTY 3) (If Quantity not shown, Quantity = 1)

M - Model Example (M1) (If M Code not shown, then part is used on all Models)

Expanded Model Nomenclature:

| |
|--------------|
| Example |
| M1 - Model#1 |
| M2 - Model#2 |
| M3 - Model#3 |

Daikin Comfort Technologies Manufacturing , L.P. is not responsible for personal injury or property damage resulting from improper service. Review all service information before beginning repairs.

Warranty service must be performed by an authorized technician, using authorized factory parts. If service is required after the warranty expires, Daikin Comfort Technologies Manufacturing , L.P. also recommends contacting an authorized technician and using authorized factory parts.

Daikin Comfort Technologies Manufacturing , L.P. reserves the right to discontinue, or change at any time, specifications or designs without notice or without incurring obligations.

For assistance within the U.S.A. contact:
Homeowner Support
Daikin Comfort Technologies Manufacturing , L.P.
19001 Kermier Road
Waller, Texas 77484
855-770-5678-Telephone
713-863-2382-Facsimile

For assistance outside the U.S.A. contact:
International Division
Daikin Comfort Technologies Manufacturing , L.P.
19001 Kermier Road
Waller, Texas 77484
713-861-2500-Telephone
713-863-2382-Facsimile

Functional Parts

Part

No: Description:

| | |
|-----------------|-------------------------------------|
| 0130M00914 | AUXILLARY SWITCH (QTY 2) |
| 0151R00289 | BALL VALVE 1 1/8", R-32 |
| 0151R00290 | BASE VALVE 5/8", R-32 |
| YPT88K1TTF5ASM | COMPRESSOR (M1) |
| YPT108K1TTFDAS | COMPRESSOR (M4) |
| YPT88K1TTFDASM | COMPRESSOR (M2) |
| YPT108K1TTF5ASM | COMPRESSOR (M3) |
| CONT3P030024D | CONT, 3 POLE, 30 AMP, 24VAC (QTY 2) |
| 0150M00049 | FAN BLADE, 26" |
| 0130L20001 | HEATER, CRANKCASE (M1, M3) |
| 0130L20000 | HEATER, CRANKCASE (M1, M3) |
| 0130L20002 | HEATER, CRANKCASE (M2, M4) |
| 0130L20003 | HEATER, CRANKCASE (M2, M4) |
| 0130M20005 | LOW PRESSURE SWITCH |
| 0131M01016 | MOTOR (M2, M4) |
| 0131M01015 | MOTOR (M1, M3) |
| PCBCL100V0001 | PCB CONTROL |
| 0130M20003 | SWITCH, HIGH PRESSURE |
| 0130M00858 | TRANSFORMER (M2, M4) |
| 0130L00406 | TRANSFORMER (M1, M3) |

SPECIAL PARTS

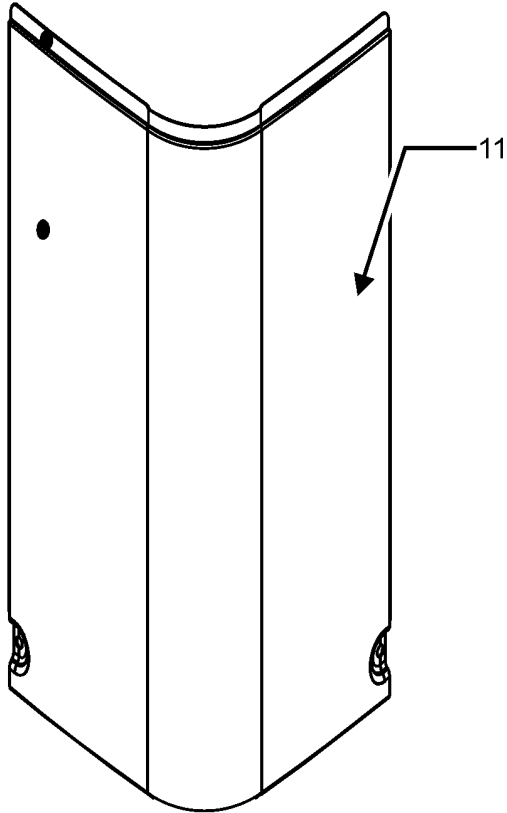
0161R00093 NAMEPLATE, DAIKIN

Expanded Model Nomenclature

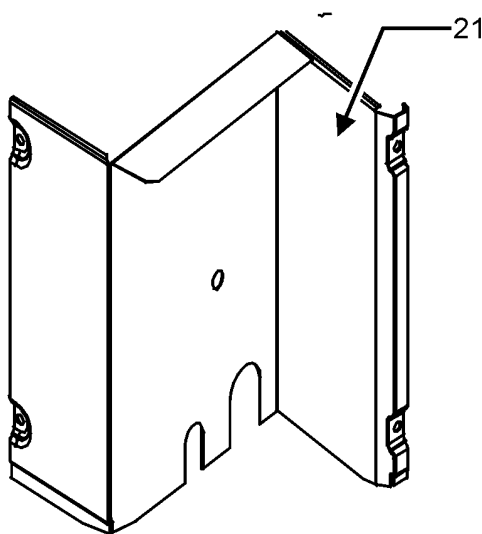
| |
|-------------------|
| M1 - DC6TE09030AA |
| M2 - DC6TE09040AA |
| M3 - DC6TE12030AA |
| M4 - DC6TE12040AA |

Control Panel Assembly

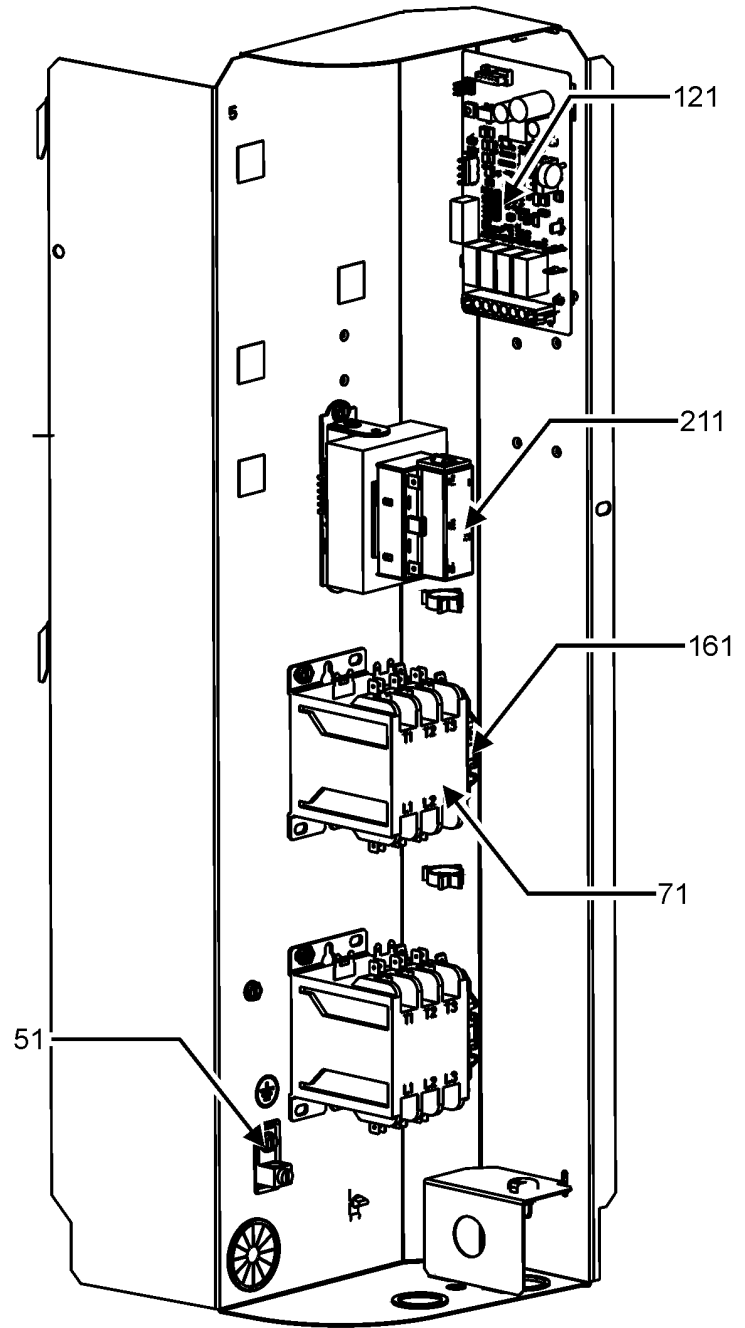
CONTROL PANEL ASSEMBLY



CONTROL COVER PANEL



LOWER ACCESS PANEL



CONTROL PANEL

CONTROL PANEL ASSEMBLY MAY DIFFER FROM WHAT IS SHOWN

Control Panel Assembly

Ref. Part**No: No:****Description:****Ref. Part****No: No:****Description:**

Image 1:

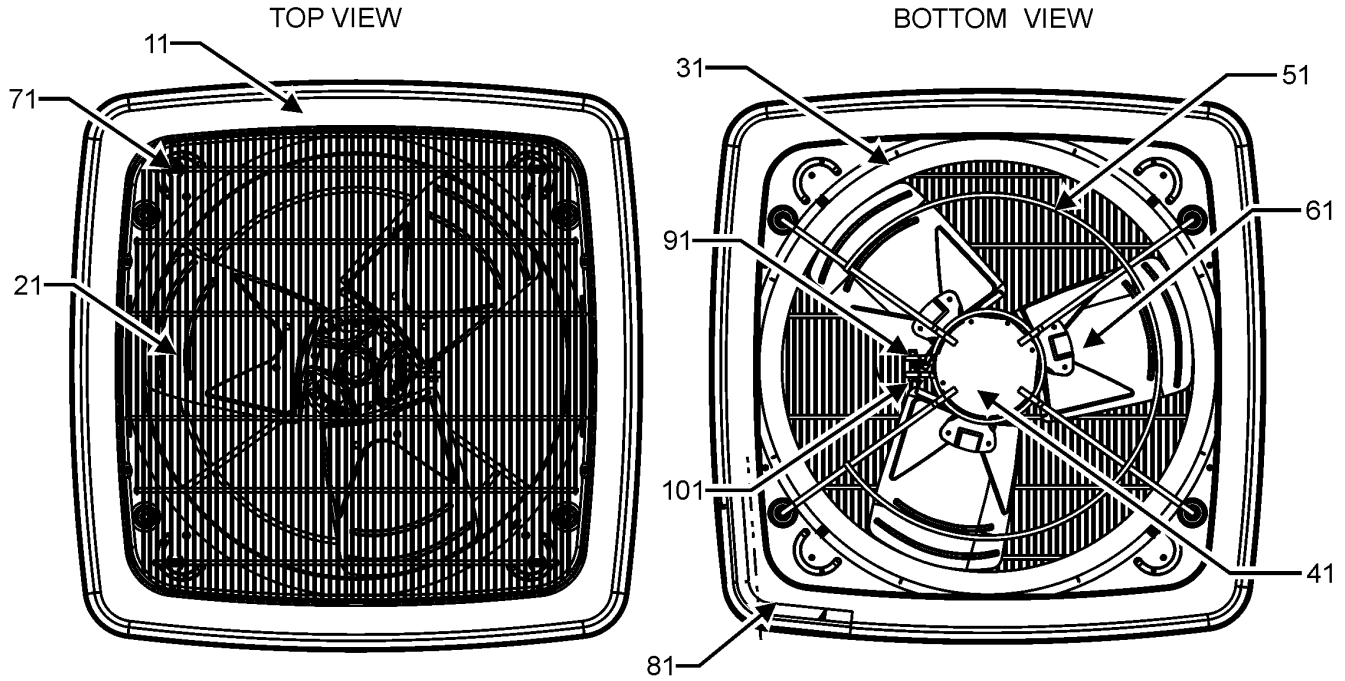
| | | |
|-----|---------------|-------------------------------------|
| 11 | 0121R00950PNG | CONTROL COVER, LARGE PNT |
| 21 | 0121R01041PNG | PAINTED, LOWER ACCESS PANEL |
| 51 | B1378533 | LUG GROUND SMALL 4T |
| 71 | CONT3P030024D | CONT, 3 POLE, 30 AMP, 24VAC (QTY 2) |
| 121 | PCBCL100V0001 | PCB CONTROL |
| 161 | 0130M00914 | AUXILLARY SWITCH (QTY 2) |
| 211 | 0130L00406 | TRANSFORMER (M1, M3) |
| 211 | 0130M00858 | TRANSFORMER (M2, M4) |
| NS | 0161R00093 | NAMEPLATE, DAIKIN |

Expanded Model Nomenclature

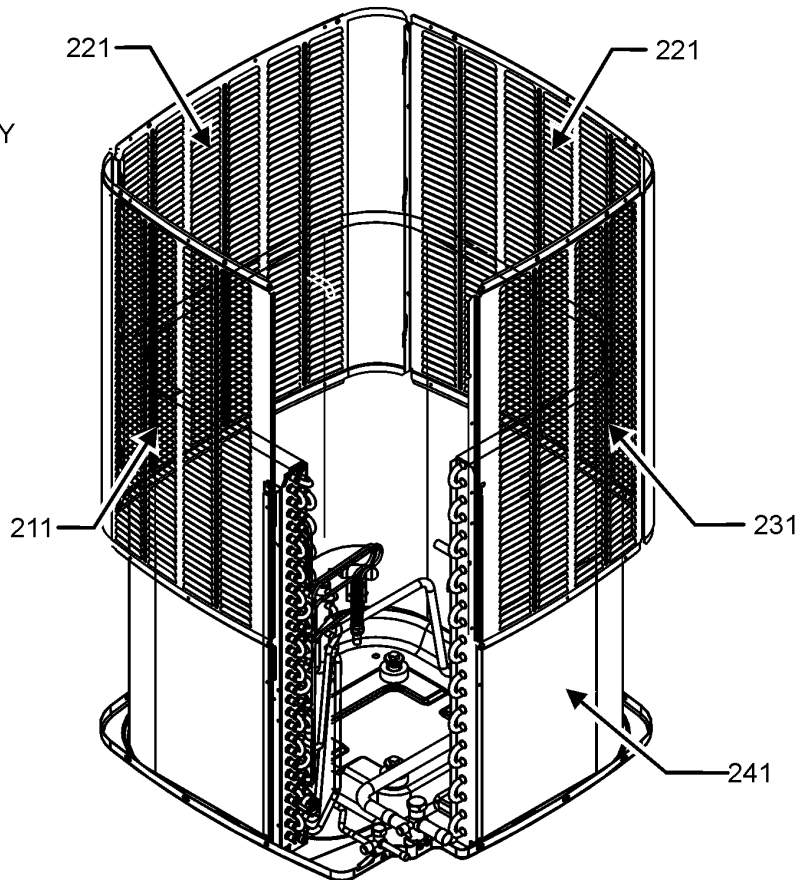
| |
|-------------------|
| M1 - DC6TE09030AA |
| M2 - DC6TE09040AA |
| M3 - DC6TE12030AA |
| M4 - DC6TE12040AA |

Top Panel and Louver Assembly

TOP PANEL AND LOUVER ASSEMBLY



LOUVER ASSEMBLY



TOP PANEL AND LOUVER ASSEMBLY MAY DIFFER FROM WHAT IS SHOWN

Top Panel and Louver Assembly

| Ref. Part No: | No: | Description: | Ref. Part No: | No: | Description: |
|---------------|-----|--------------|---------------|-----|--------------|
|---------------|-----|--------------|---------------|-----|--------------|

Image 1:

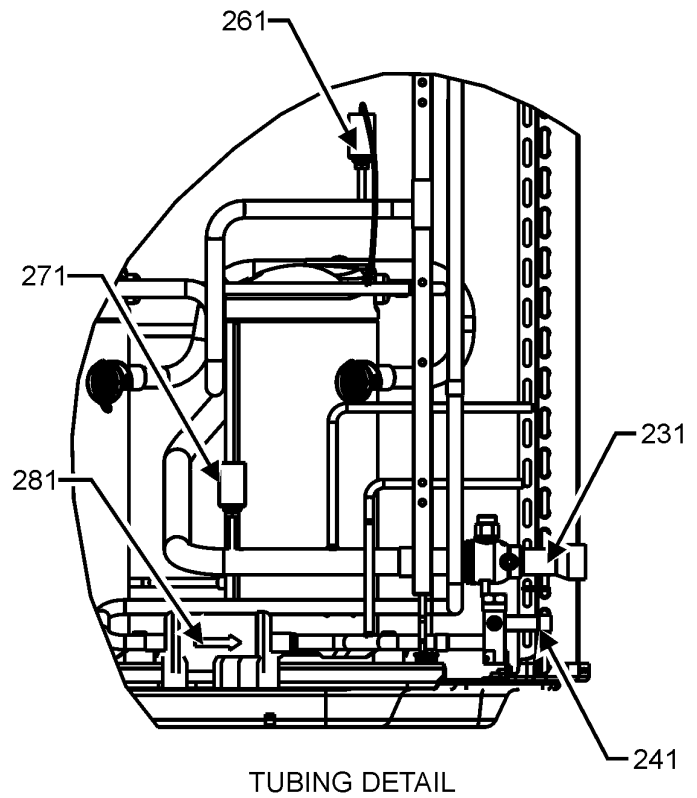
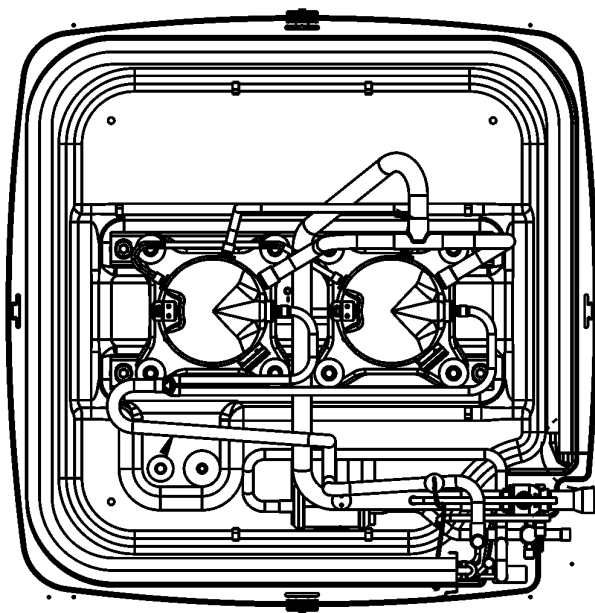
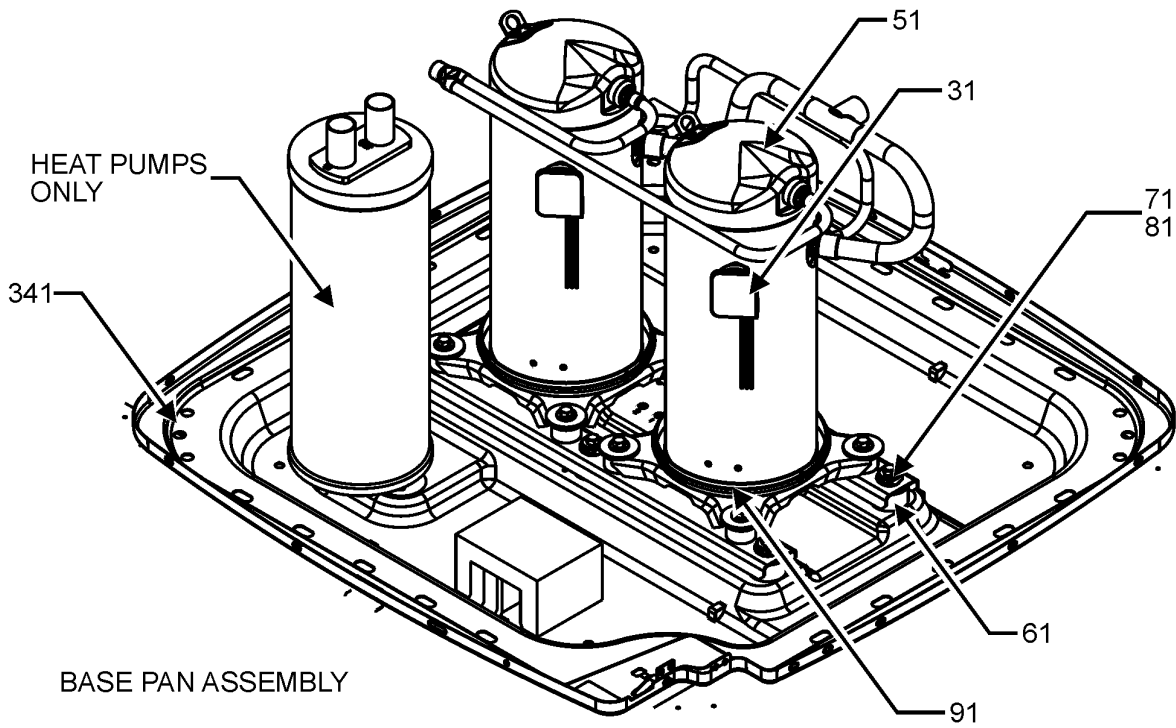
| | | |
|-----|---------------|---|
| 11 | 0121R01034PNG | PAINTED, TOP PANEL |
| 21 | 0152R00031 | GRILLE |
| 31 | 0161R00105 | 35" VENTURI CFS |
| 41 | 0131M01015 | MOTOR (M1, M3) |
| 41 | 0131M01016 | MOTOR (M2, M4) |
| 51 | 0121r01032 | MOUNT MOTOR |
| 61 | 0150M00049 | FAN BLADE, 26" |
| 71 | 0163M00003P | SCREW #10 X 1/2, A, SLOT, SR, BLACK (QTY 8) |
| 81 | 0154R00045 | GASKET CONTROL PANEL |
| 91 | B1393804 | NYLON LOCKNUT, .31 - 18 (QTY 2) |
| 101 | 0163M00580 | SCREW, HEX CAP 5/16-18X2 A307 (QTY 2) |
| 121 | 0163M00004 | SCREW #10X3/4" BLK (QTY 4) |
| 211 | 0121R00601PNG | PANEL 1, LOUVER 35_39.84 PNT |
| 221 | 0121R00514PNG | PANEL 2, LOUVER 35_39.84 PNT (QTY 2) |
| 231 | 0121R00603PNG | PANEL 3, LOUVER 35_39.84 PNT |
| 241 | 0201R00863 | COIL TUBING ASSEMBLY |
| NS | B1393024 | LOCK NUT (QTY 4) |

Expanded Model Nomenclature

| |
|-------------------|
| M1 - DC6TE09030AA |
| M2 - DC6TE09040AA |
| M3 - DC6TE12030AA |
| M4 - DC6TE12040AA |

Tubing Assembly

TUBING ASSEMBLY



TUBING ASSEMBLY MAY DIFFER FROM WHAT IS SHOWN

Tubing Assembly

| Ref. Part No: | Part No: | Description: | Ref. Part No: | Part No: | Description: |
|---------------|----------|--------------|---------------|----------|--------------|
|---------------|----------|--------------|---------------|----------|--------------|

Image 1:

| | | |
|-----|-----------------|--------------------------------|
| 31 | 0159L00162 | HARNESS COMPRESSOR SCROLL |
| 31 | 0159L00163 | HARNESS COMPRESSOR SCROLL |
| 51 | YPT108K1TTF5ASM | COMPRESSOR (M3) |
| 51 | YPT108K1TTFDASM | COMPRESSOR (M4) |
| 51 | YPT88K1TTF5ASM | COMPRESSOR (M1) |
| 51 | YPT88K1TTFDASM | COMPRESSOR (M2) |
| 61 | 0164M00128 | GROMMET, COMPRESSOR (QTY 6) |
| 71 | 0163M00626 | COMP. BOLT & SLEEVE (QTY 6) |
| 81 | B1393027 | INSERT HEX NUT 5/16-18 (QTY 6) |
| 91 | 0130L20000 | HEATER, CRANKCASE (M1, M3) |
| 91 | 0130L20001 | HEATER, CRANKCASE (M1, M3) |
| 91 | 0130L20002 | HEATER, CRANKCASE (M2, M4) |
| 91 | 0130L20003 | HEATER, CRANKCASE (M2, M4) |
| 231 | 0151R00289 | BALL VALVE 1 1/8", R-32 |
| 241 | 0151R00290 | BASE VALVE 5/8", R-32 |
| 261 | 0130M20003 | SWITCH, HIGH PRESSURE |
| 271 | 0130M20005 | LOW PRESSURE SWITCH |
| 281 | 0162L00112 | FILTER DRIER |
| 341 | 0121R01090PNG | PAINTED, BASE PAN |

Expanded Model Nomenclature

| |
|-------------------|
| M1 - DC6TE09030AA |
| M2 - DC6TE09040AA |
| M3 - DC6TE12030AA |
| M4 - DC6TE12040AA |