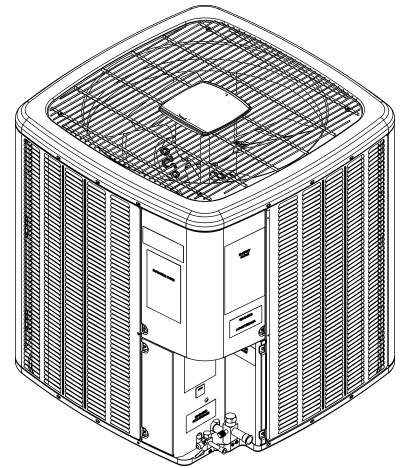


## DH6TE Remote Heat Pump

DH6TE09030AA  
DH6TE09040AA  
DH6TE12030AA  
DH6TE12040AA



This manual is to be used by qualified technicians only.

# Important Information

---

## Index

Functional Parts List .....	3
Illustration and Parts .....	4 - 9

*Views shown are for parts illustrations only, not servicing procedures.*

### Text Codes:

AR - As Required

NA - Not Available

NS - Not Shown

00000000 - See Note

QTY - Quantity Example (QTY 3) (If Quantity not shown, Quantity = 1)

M - Model Example (M1) (If M Code not shown, then part is used on all Models)

### Expanded Model Nomenclature:

Example
M1 - Model#1
M2 - Model#2
M3 - Model#3

Daikin Comfort Technologies Manufacturing , L.P. is not responsible for personal injury or property damage resulting from improper service. Review all service information before beginning repairs.

Warranty service must be performed by an authorized technician, using authorized factory parts. If service is required after the warranty expires, Daikin Comfort Technologies Manufacturing , L.P. also recommends contacting an authorized technician and using authorized factory parts.

Daikin Comfort Technologies Manufacturing , L.P. reserves the right to discontinue, or change at any time, specifications or designs without notice or without incurring obligations.

For assistance within the U.S.A. contact:  
Homeowner Support  
Daikin Comfort Technologies Manufacturing , L.P.  
19001 Kermier Road  
Waller, Texas 77484  
855-770-5678-Telephone  
713-863-2382-Facsimile

For assistance outside the U.S.A. contact:  
International Division  
Daikin Comfort Technologies Manufacturing , L.P.  
19001 Kermier Road  
Waller, Texas 77484  
713-861-2500-Telephone  
713-863-2382-Facsimile

# Functional Parts

## Part

## No: Description:

---

0251R00023	ASSY, TXV DISTRIBUTOR (M3, M4)
0251R00022	ASSY, TXV DISTRIBUTOR (M1, M2)
0130M00914	AUXILLARY SWITCH (QTY 2)
0151R00289	BALL VALVE 1 1/8", R-32
0151R00290	BASE VALVE 5/8", R-32
YPT88K1TTFDASM	COMPRESSOR (M2)
YPT102K1TTF5ASM	COMPRESSOR (M3)
YPT102K1TTFDAS	COMPRESSOR (M4)
YPT88K1TTF5ASM	COMPRESSOR (M1)
CONT3P030024D	CONT, 3 POLE, 30 AMP, 24VAC (QTY 2)
0130M00250	CONTROL DEFROST
0130M00178	DPDT RELAY 24VAC
0150M00049	FAN BLADE, 26"
0130L20001	HEATER, CRANKCASE (M1, M3)
0130L20002	HEATER, CRANKCASE (M2, M4)
0130L20003	HEATER, CRANKCASE (M2, M4)
0130L20000	HEATER, CRANKCASE (M1, M3)
0130M20004	LOW PRESSURE SWITCH
0131M01016	MOTOR (M2, M4)
0131M01015	MOTOR (M1, M3)
PCBCL100V0001	PCB CONTROL
PCBDM101	PCB, DEFROST CONTROL
0151R00291	REVERSING VALVE, R-32 (M3, M4)
B1225022	SOLENOID COIL
0130M20003	SWITCH, HIGH PRESSURE
0151R00200	VALVE, REVERSING (M1, M2)

### SPECIAL PARTS

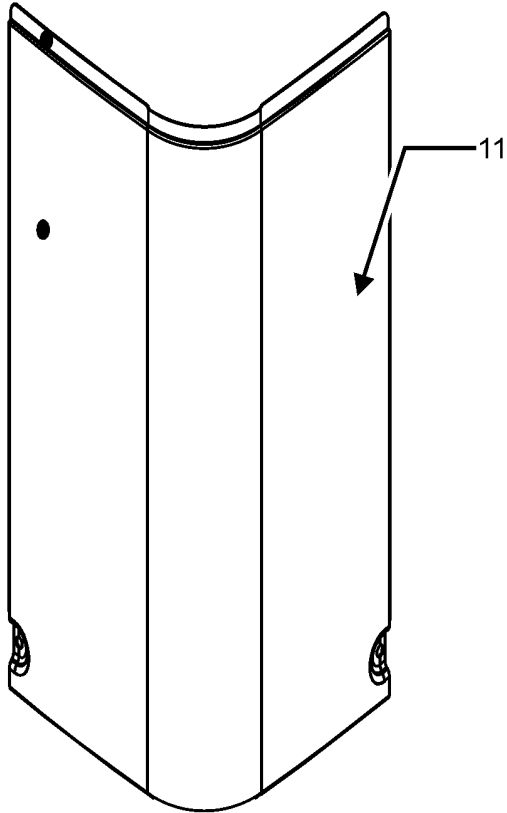
0161R00093 NAMEPLATE, DAIKIN

### Expanded Model Nomenclature

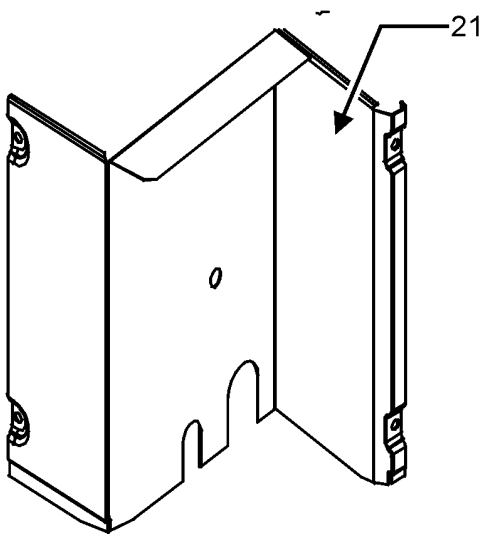
M1 - DH6TE09030AA
M2 - DH6TE09040AA
M3 - DH6TE12030AA
M4 - DH6TE12040AA

# Control Panel Assembly

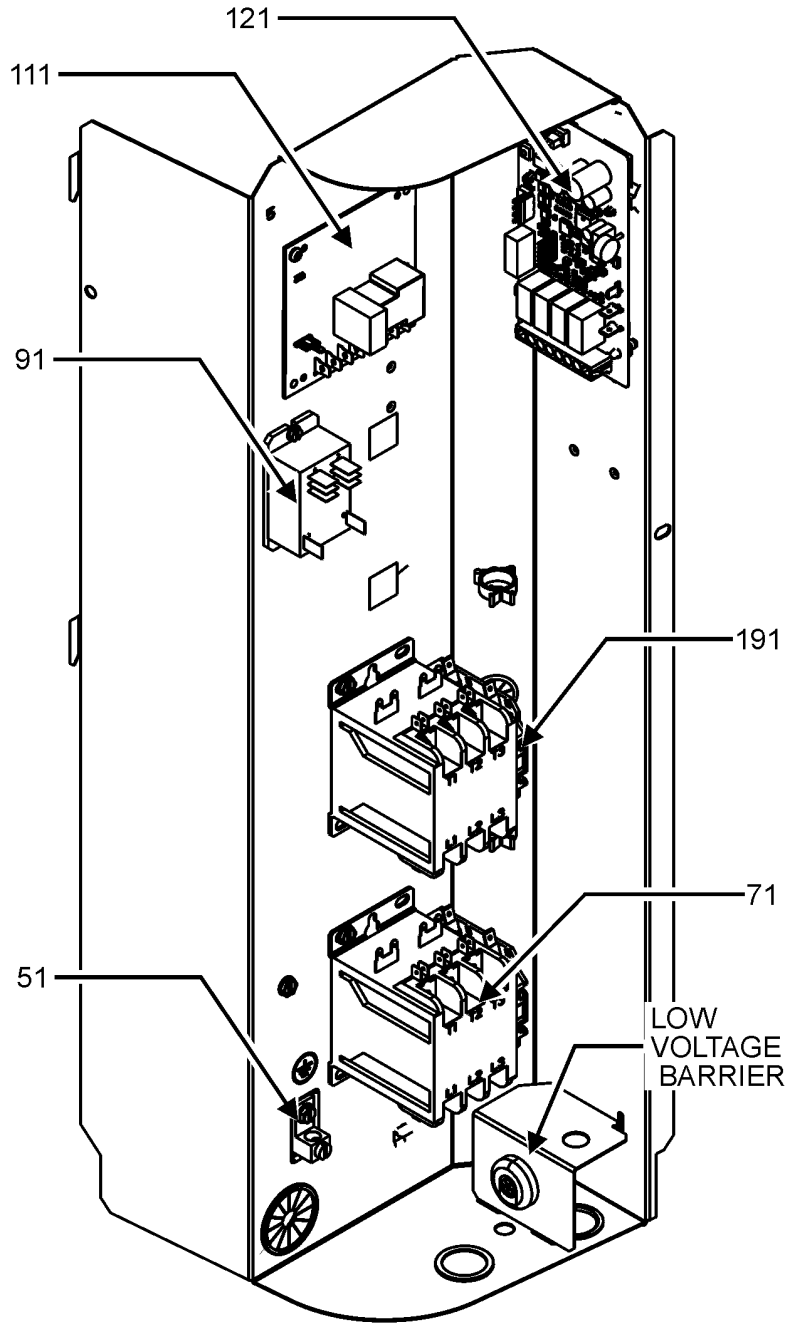
## CONTROL PANEL ASSEMBLY



CONTROL COVER PANEL



LOWER ACCESS PANEL



CONTROL PANEL

CONTROL PANEL ASSEMBLY MAY DIFFER FROM WHAT IS SHOWN

# Control Panel Assembly

Ref. Part No:	No:	Description:	Ref. Part No:	No:	Description:
---------------	-----	--------------	---------------	-----	--------------

---

**Image 1:**

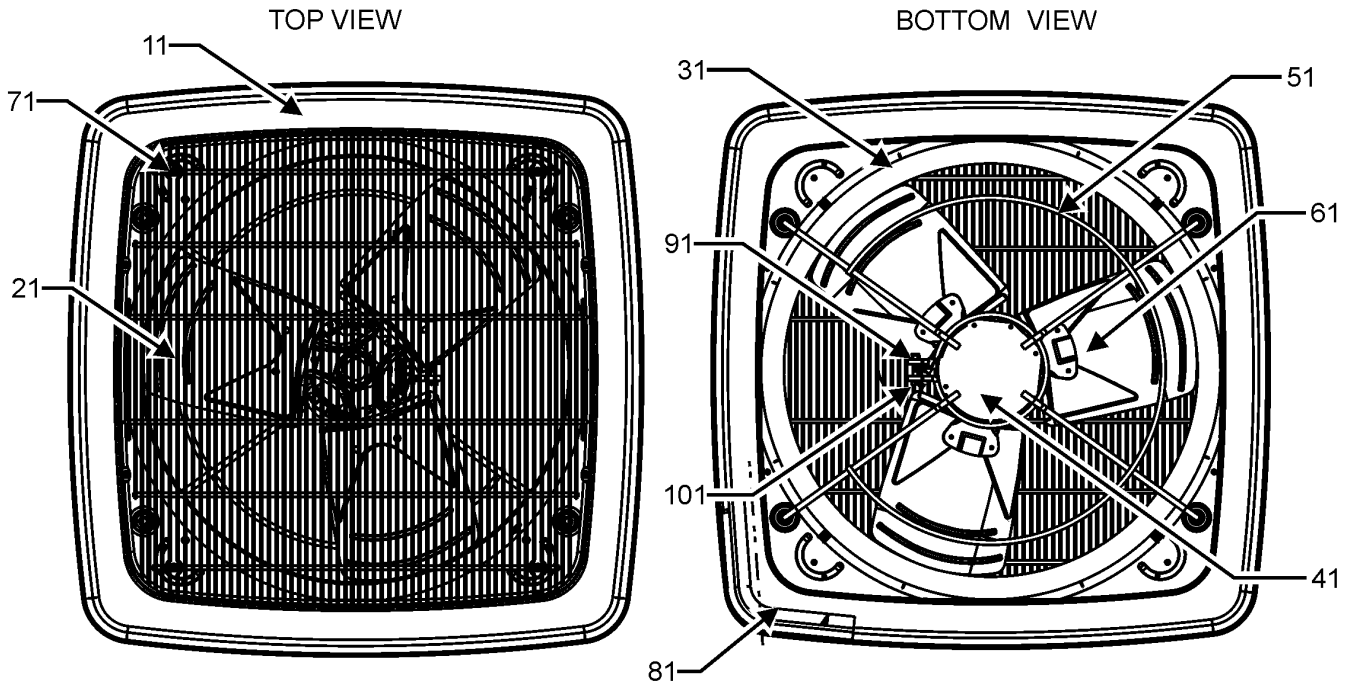
11	0121R00950PNG	CONTROL COVER, LARGE PNT
21	0121R01041PNG	PAINTED, LOWER ACCESS PANEL
51	B1378533	LUG GROUND SMALL 4T
71	CONT3P030024D	CONT, 3 POLE, 30 AMP, 24VAC (QTY 2)
91	0130M00178	DPDT RELAY 24VAC
111	PCBDM101	PCB, DEFROST CONTROL
121	PCBCL100V0001	PCB CONTROL
191	0130M00914	AUXILLARY SWITCH (QTY 2)
NS	0161R00093	NAMEPLATE, DAIKIN

**Expanded Model Nomenclature**

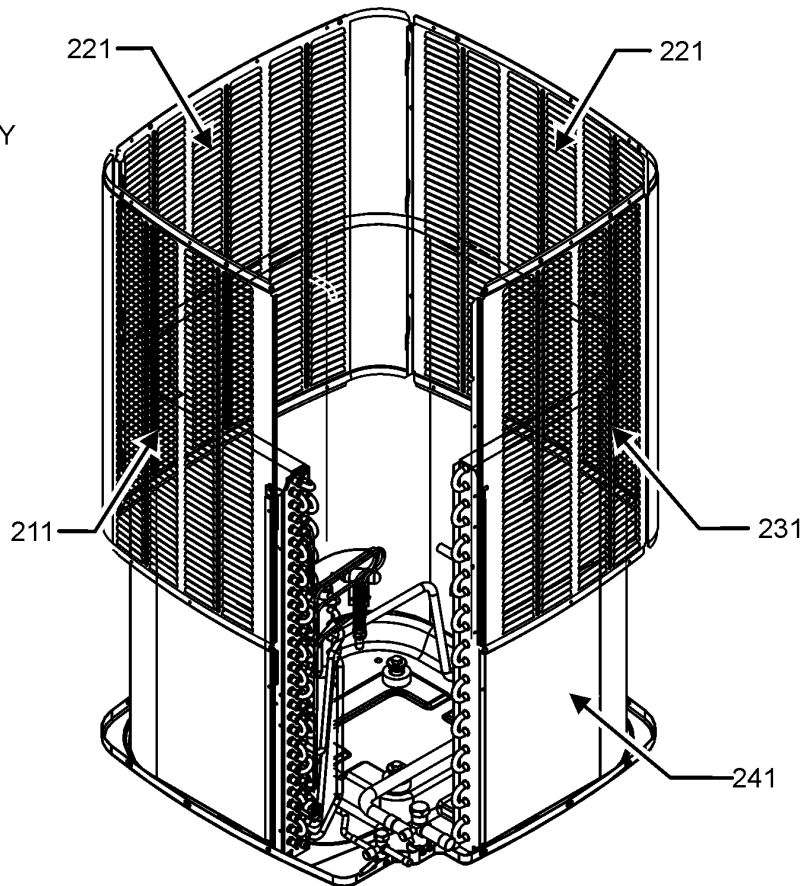
M1 - DH6TE09030AA
M2 - DH6TE09040AA
M3 - DH6TE12030AA
M4 - DH6TE12040AA

# Top Panel and Louver Assembly

TOP PANEL AND LOUVER ASSEMBLY



LOUVER ASSEMBLY



TOP PANEL AND LOUVER ASSEMBLY MAY DIFFER FROM WHAT IS SHOWN

# Top Panel and Louver Assembly

Ref. Part No:	No:	Description:	Ref. Part No:	No:	Description:
---------------	-----	--------------	---------------	-----	--------------

---

## Image 1:

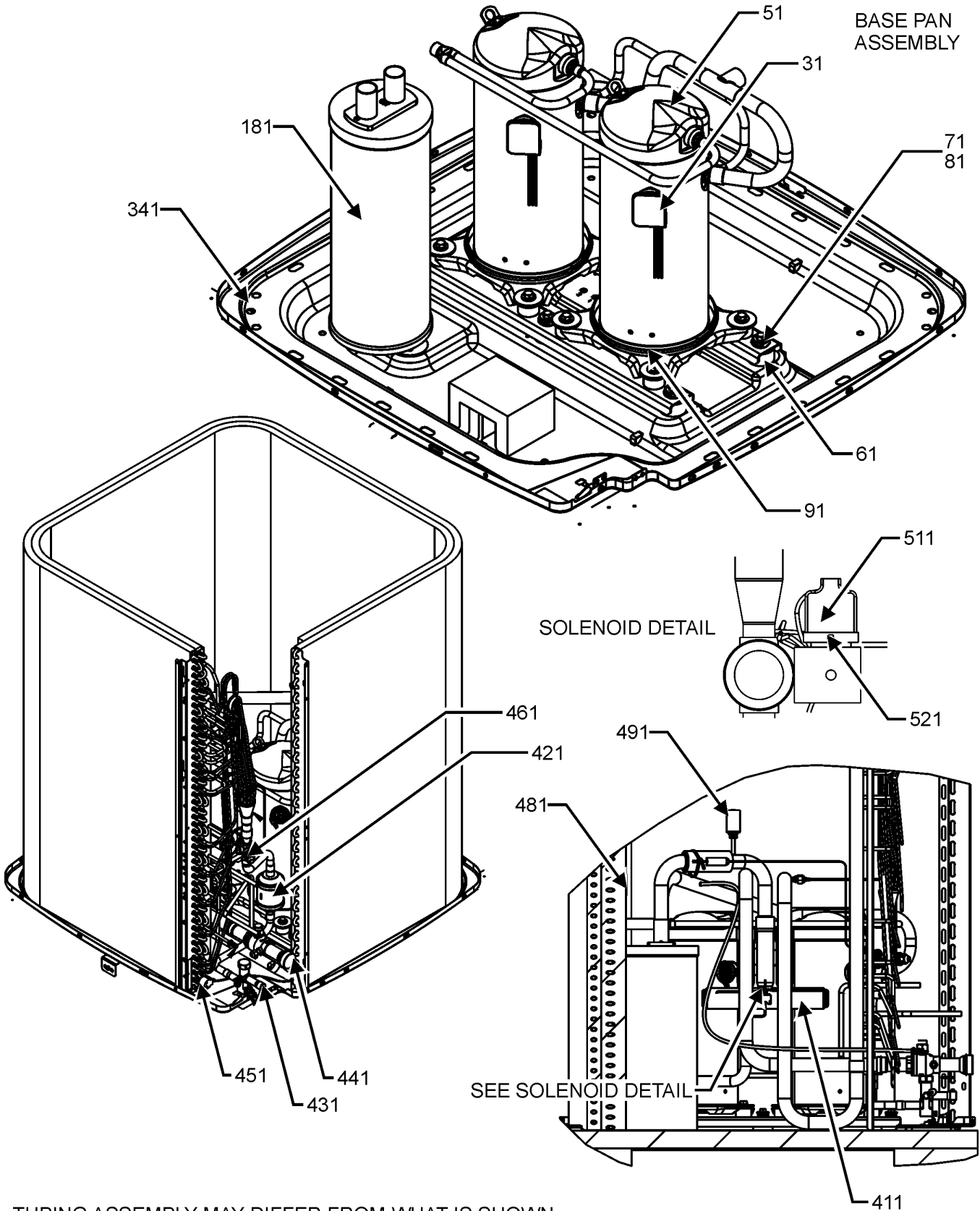
11	0121R01034PNG	PAINTED, TOP PANEL
21	0152R00031	GRILLE
31	0161R00105	35" VENTURI CFS
41	0131M01015	MOTOR (M1, M3)
41	0131M01016	MOTOR (M2, M4)
51	0121r01032	MOUNT MOTOR
61	0150M00049	FAN BLADE, 26"
71	0163M00003P	SCREW #10 X 1/2, A, SLOT, SR, BLACK (QTY 9)
81	0154R00045	GASKET CONTROL PANEL
91	B1393804	NYLON LOCKNUT, .31 - 18 (QTY 2)
101	0163M00580	SCREW, HEX CAP 5/16-18X2 A307 (QTY 2)
121	0163M00004	SCREW #10X3/4" BLK (QTY 4)
211	0121R00601PNG	PANEL 1, LOUVER 35_39.84 PNT
221	0121R00514PNG	PANEL 2, LOUVER 35_39.84 PNT (QTY 2)
231	0121R00603PNG	PANEL 3, LOUVER 35_39.84 PNT
241	0201R00865	COIL TUBING ASSEMBLY
NS	B1393024	LOCK NUT (QTY 4)

## Expanded Model Nomenclature

M1 - DH6TE09030AA
M2 - DH6TE09040AA
M3 - DH6TE12030AA
M4 - DH6TE12040AA

# Tubing Assembly

## TUBING ASSEMBLY



TUBING ASSEMBLY MAY DIFFER FROM WHAT IS SHOWN

# Tubing Assembly

Ref. Part No:	Part No:	Description:	Ref. Part No:	Part No:	Description:
---------------	----------	--------------	---------------	----------	--------------

**Image 1:**

31	0159L00162	HARNESS COMPRESSOR SCROLL
31	0159L00163	HARNESS COMPRESSOR SCROLL
51	YPT102K1TTF5ASM	COMPRESSOR (M3)
51	YPT102K1TTFDASM	COMPRESSOR (M4)
51	YPT88K1TTF5ASM	COMPRESSOR (M1)
51	YPT88K1TTFDASM	COMPRESSOR (M2)
61	0164M00128	GROMMET, COMPRESSOR (QTY 6)
71	0163M00626	COMP. BOLT & SLEEVE (QTY 6)
81	B1393027	INSERT HEX NUT 5/16-18 (QTY 6)
91	0130L20000	HEATER, CRANKCASE (M1, M3)
91	0130L20001	HEATER, CRANKCASE (M1, M3)
91	0130L20002	HEATER, CRANKCASE (M2, M4)
91	0130L20003	HEATER, CRANKCASE (M2, M4)
181	B1226212	ACCUMULATOR
341	0121R01090PNG	PAINTED, BASE PAN
411	0151R00291	REVERSING VALVE, R-32 (M3, M4)
411	0151R00200	VALVE, REVERSING (M1, M2)
421	0162L00113	FILTER DRIER (BI-FLOW)
431	0151R00290	BASE VALVE 5/8", R-32
441	0151R00289	BALL VALVE 1 1/8", R-32
451	0130M00250	CONTROL DEFROST
461	0251R00022	ASSY, TXV DISTRIBUTOR (M1, M2)
461	0251R00023	ASSY, TXV DISTRIBUTOR (M3, M4)
481	0130M20003	SWITCH, HIGH PRESSURE
491	0130M20004	LOW PRESSURE SWITCH
511	B1225022	SOLENOID COIL
521	0130M00409	REVERSING VALVE CABLE
NS	0163M00629	RED CAP WITH O-RING
NS	0151M00104	VALVE CORE

**Expanded Model Nomenclature**

M1 - DH6TE09030AA
M2 - DH6TE09040AA
M3 - DH6TE12030AA
M4 - DH6TE12040AA