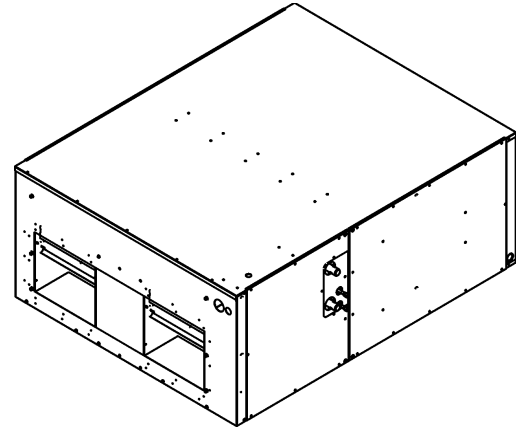


DAQ Commercial Air Handler

DAQ09033AA
DAQ09034AA
DAQ12033AA
DAQ12034AA



This manual is to be used by qualified technicians only.

Important Information

Index

Functional Parts List	3
Illustration and Parts	4 - 11

Views shown are for parts illustrations only, not servicing procedures.

Text Codes:

AR - As Required

NA - Not Available

NS - Not Shown

00000000 - See Note

QTY - Quantity Example (QTY 3) (If Quantity not shown, Quantity = 1)

M - Model Example (M1) (If M Code not shown, then part is used on all Models)

Expanded Model Nomenclature:

Example M1 - Model#1 M2 - Model#2 M3 - Model#3

Daikin Comfort Technologies Manufacturing , L.P. is not responsible for personal injury or property damage resulting from improper service. Review all service information before beginning repairs.

Warranty service must be performed by an authorized technician, using authorized factory parts. If service is required after the warranty expires, Daikin Comfort Technologies Manufacturing , L.P. also recommends contacting an authorized technician and using authorized factory parts.

Daikin Comfort Technologies Manufacturing , L.P. reserves the right to discontinue, or change at any time, specifications or designs without notice or without incurring obligations.

For assistance within the U.S.A. contact:
Homeowner Support
Daikin Comfort Technologies Manufacturing , L.P.
19001 Kermier Road
Waller, Texas 77484
855-770-5678-Telephone
713-863-2382-Facsimile

For assistance outside the U.S.A. contact:
International Division
Daikin Comfort Technologies Manufacturing , L.P.
19001 Kermier Road
Waller, Texas 77484
713-861-2500-Telephone
713-863-2382-Facsimile

Functional Parts

Part

No: Description:

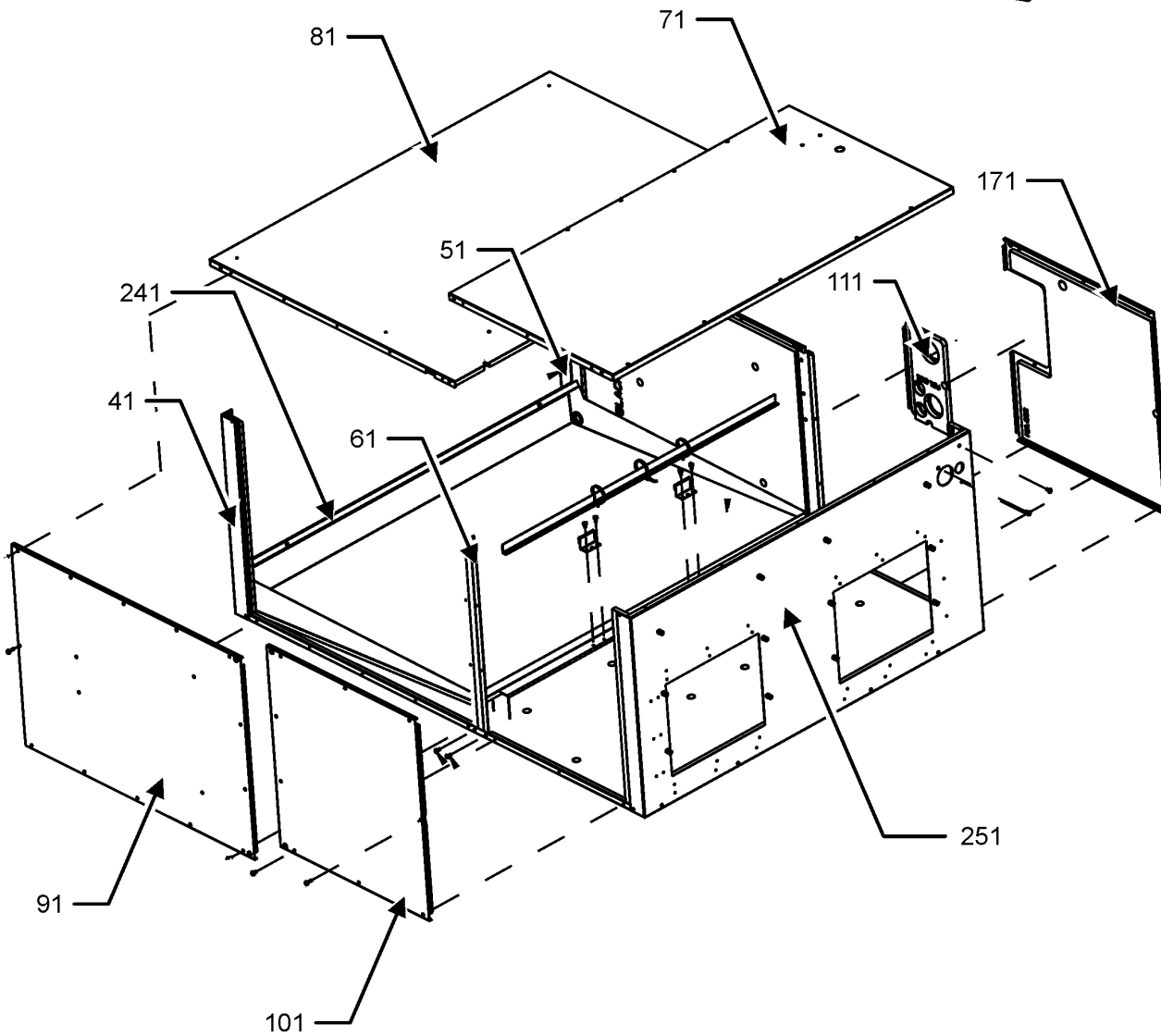
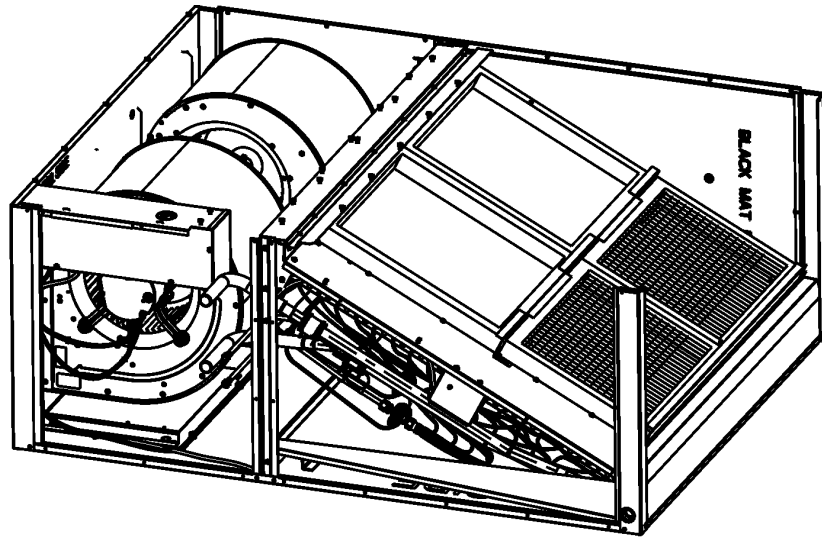
0130M00178	DPDT RELAY 24VAC
0131A00048	MOTOR, PROGRAM LH, R-32 (M1)
0131A00046	MOTOR, PROGRAM LH, R-32 (M3)
0131A00052	MOTOR, PROGRAM LH, R-32 (M2)
0131A00050	MOTOR, PROGRAM LH, R-32 (M4)
0131A00053	MOTOR, PROGRAM RH, R-32 (M2)
0131A00047	MOTOR, PROGRAM RH, R-32 (M3)
0131A00049	MOTOR, PROGRAM RH, R-32 (M1)
0131A00051	MOTOR, PROGRAM RH, R-32 (M4)
PCBCM301V0001	PCB, CONTROL, AIR HANDLER
SER2A08012	SENSARA R32 SENSOR
0130M00858	TRANSFORMER (M2, M4)
0130L00406	TRANSFORMER (M1, M3)
0251A00001	TXV & FLOWRATOR ASSY (M3, M4)
0251A00002	TXV & FLOWRATOR ASSY (M3, M4)
0251A00003	TXV & FLOWRATOR ASSY (M1, M2)
0251A00000	TXV & FLOWRATOR ASSY (M1, M2)

Expanded Model Nomenclature

M1 - DAQ09033AA
M2 - DAQ09034AA
M3 - DAQ12033AA
M4 - DAQ12034AA

CABINET ASSEMBLY

CABINET ASSEMBLY



CABINET ASSEMBLY MAY DIFFER FROM WHAT IS SHOWN

CABINET ASSEMBLY

Ref. Part No: No:	Description:	Ref. Part No: No:	Description:
----------------------	--------------	----------------------	--------------

Image 1:

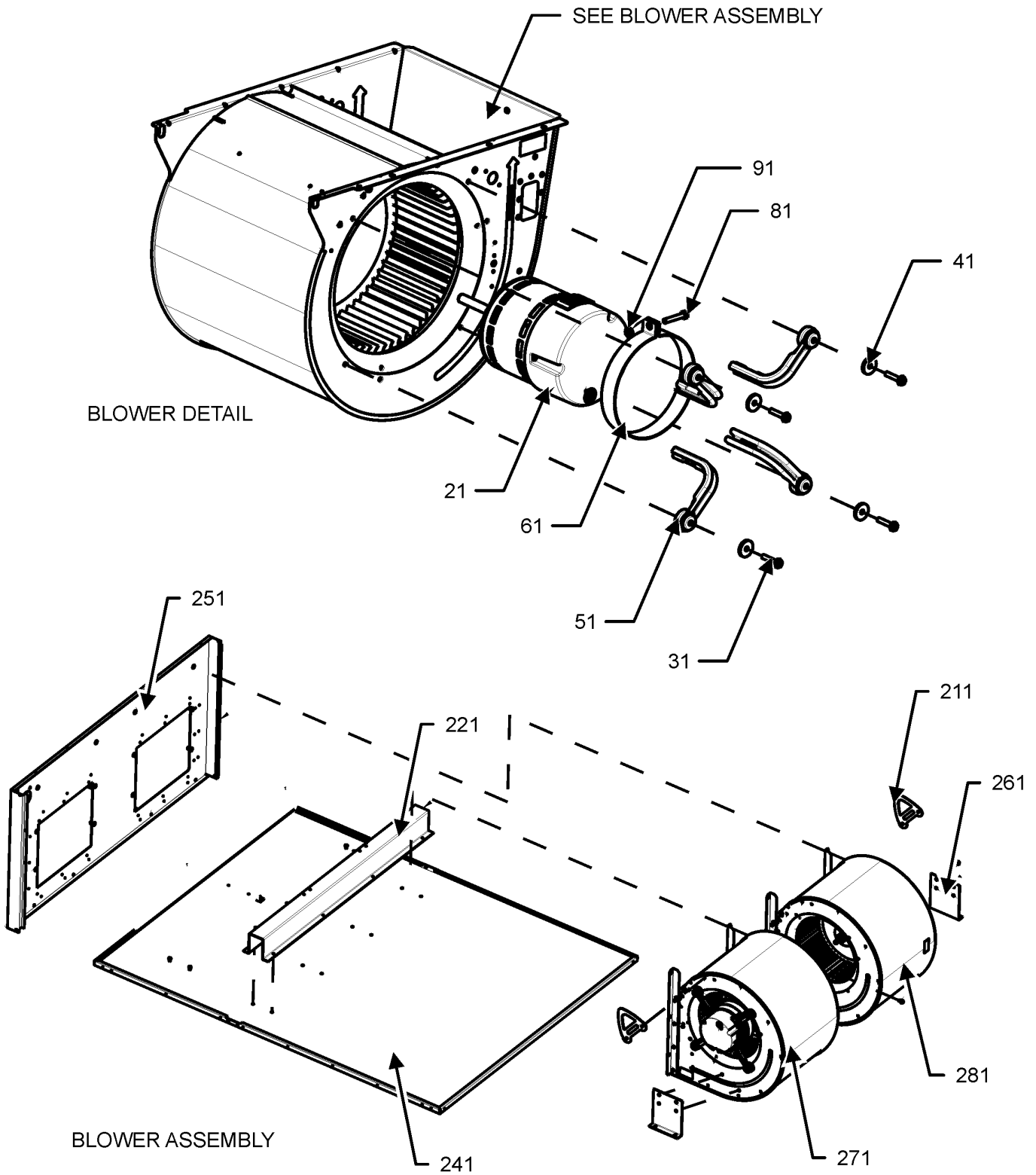
41	2122002F	REAR CORNER PANEL
51	2122003F	FRONT CORNER PANEL
61	0121A02033	SUPPORT POST (QTY 2)
71	0121A02031	BLOWER ACCESS PANEL
81	0121A02030	COIL ACCESS PANEL
91	0121A01999	PANEL ACCESS CORNER (QTY 4)
101	2122009F	REAR PANEL
111	0121A01860	BLOCK OFF PANEL
171	0121A02070	CONTROL BOX ACCESS PANEL
241	0121A02001	DRAIN PAN
251	0121A02082	TOP PANEL

Expanded Model Nomenclature

M1 - DAQ09033AA
M2 - DAQ09034AA
M3 - DAQ12033AA
M4 - DAQ12034AA

BLOWER ASSEMBLY

BLOWER ASSEMBLY



BLOWER ASSEMBLY MAY DIFFER FROM WHAT IS SHOWN

BLOWER ASSEMBLY

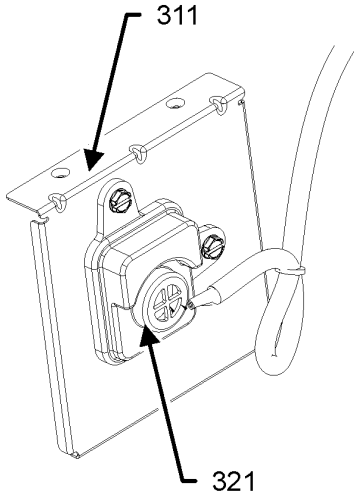
Ref. Part No:	No:	Description:	Ref. Part No:	No:	Description:
<i>Image 1:</i>					
21	0131A00046	MOTOR, PROGRAM LH, R-32 (M3)			
21	0131A00048	MOTOR, PROGRAM LH, R-32 (M1)			
21	0131A00050	MOTOR, PROGRAM LH, R-32 (M4)			
21	0131A00052	MOTOR, PROGRAM LH, R-32 (M2)			
21	0131A00047	MOTOR, PROGRAM RH, R-32 (M3)			
21	0131A00049	MOTOR, PROGRAM RH, R-32 (M1)			
21	0131A00051	MOTOR, PROGRAM RH, R-32 (M4)			
21	0131A00053	MOTOR, PROGRAM RH, R-32 (M2)			
31	M0250565	SCREW TC 1.25 (QTY 4)			
41	B1392918	WASHER FLAT 1/4 IS X 1 OD (QTY 4)			
51	0163A00008	MOTOR MOUNTING ARM (QTY 4)			
61	10441601	BAND-MTR MOUNT			
81	0163M00320	HEX HEAD ALL THREAD TAP BOLT			
91	B1393800	LOCKNUT, NYLON, INSERT 1/4,20			
211	0121A01621	ASSY BLOWER LIFTING BRACKET (QTY 2)			
221	0121A02084	SUPPORT PLATE			
241	0121A02083	PANEL, LEFT SIDE			
251	0121A02082	PANEL, TOP			
261	0121A02091	BLOWER SUPPORT (QTY 2)			
271	0271A00506	ASSY BLOWER HOUSING			
281	0271A00509	ASSY BLOWER HOUSING			

Expanded Model Nomenclature

M1 - DAQ09033AA
M2 - DAQ09034AA
M3 - DAQ12033AA
M4 - DAQ12034AA

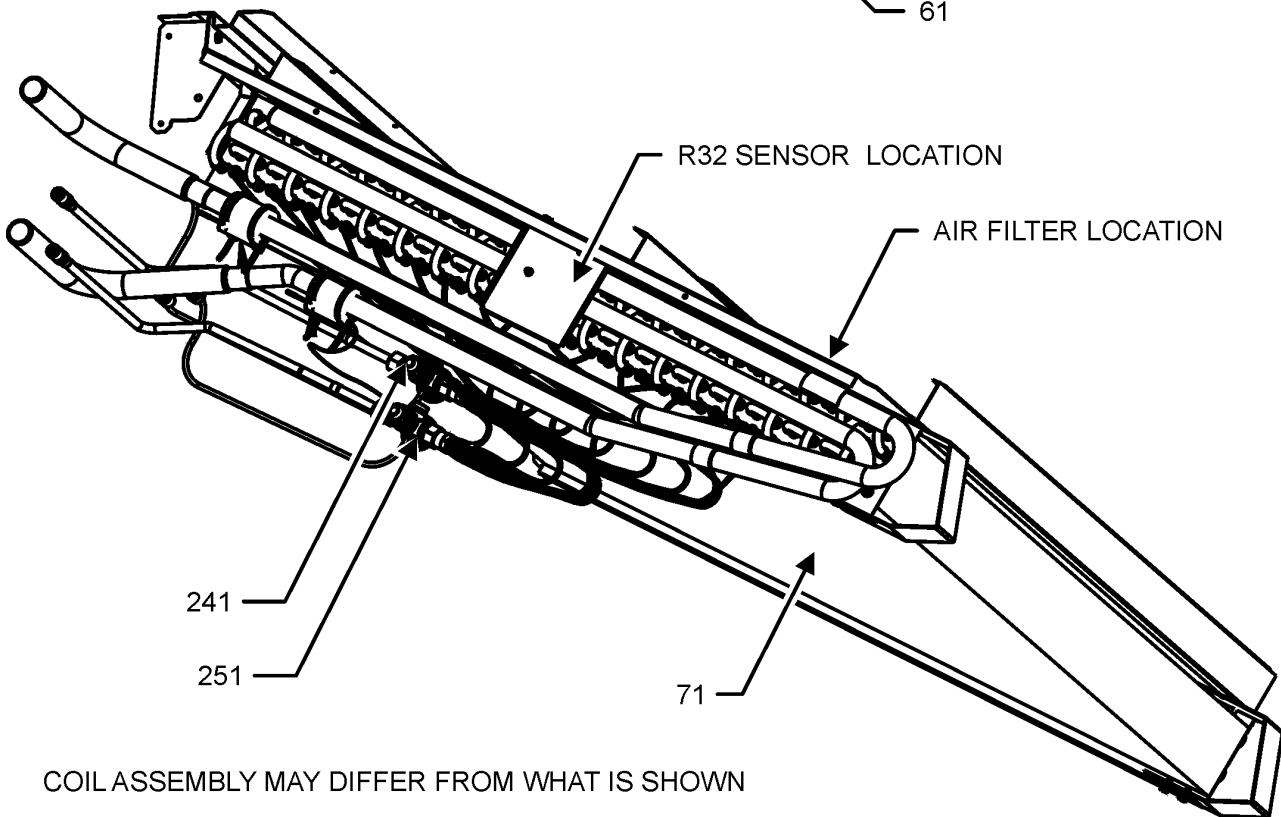
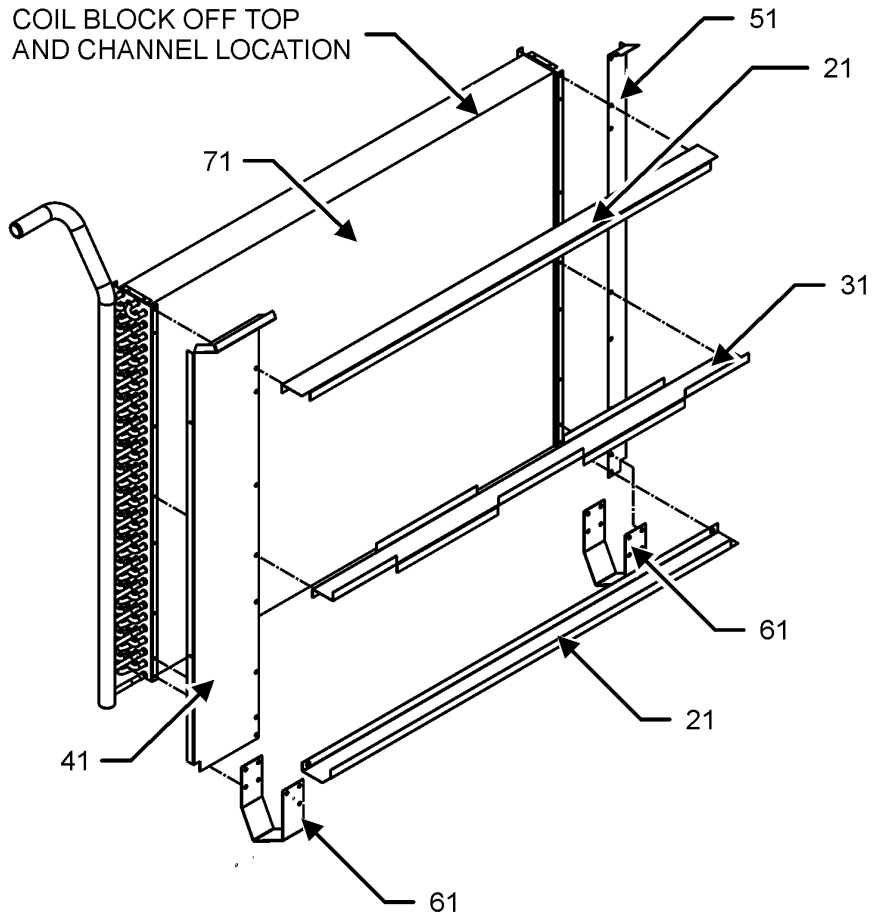
COIL TUBING ASSEMBLY

COIL ASSEMBLY



R32 SENSOR DETAIL

COIL BLOCK OFF TOP AND CHANNEL LOCATION



COIL ASSEMBLY MAY DIFFER FROM WHAT IS SHOWN

COIL TUBING ASSEMBLY

Ref. Part No:	Part No:	Description:	Ref. Part No:	Part No:	Description:
---------------	----------	--------------	---------------	----------	--------------

Image 1:

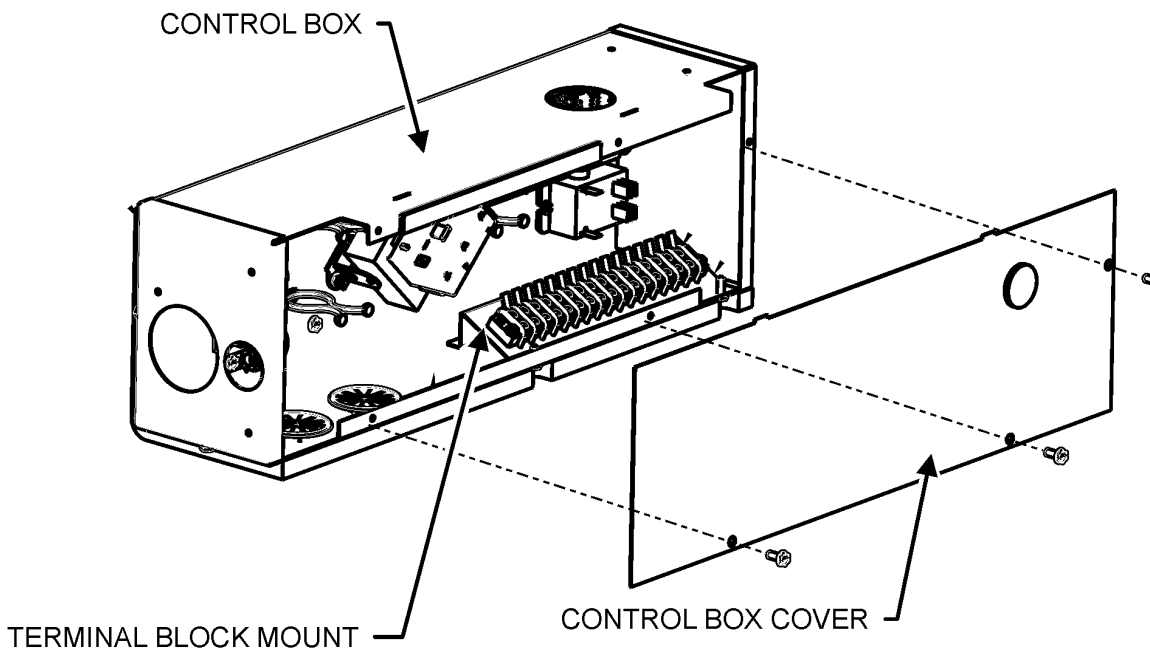
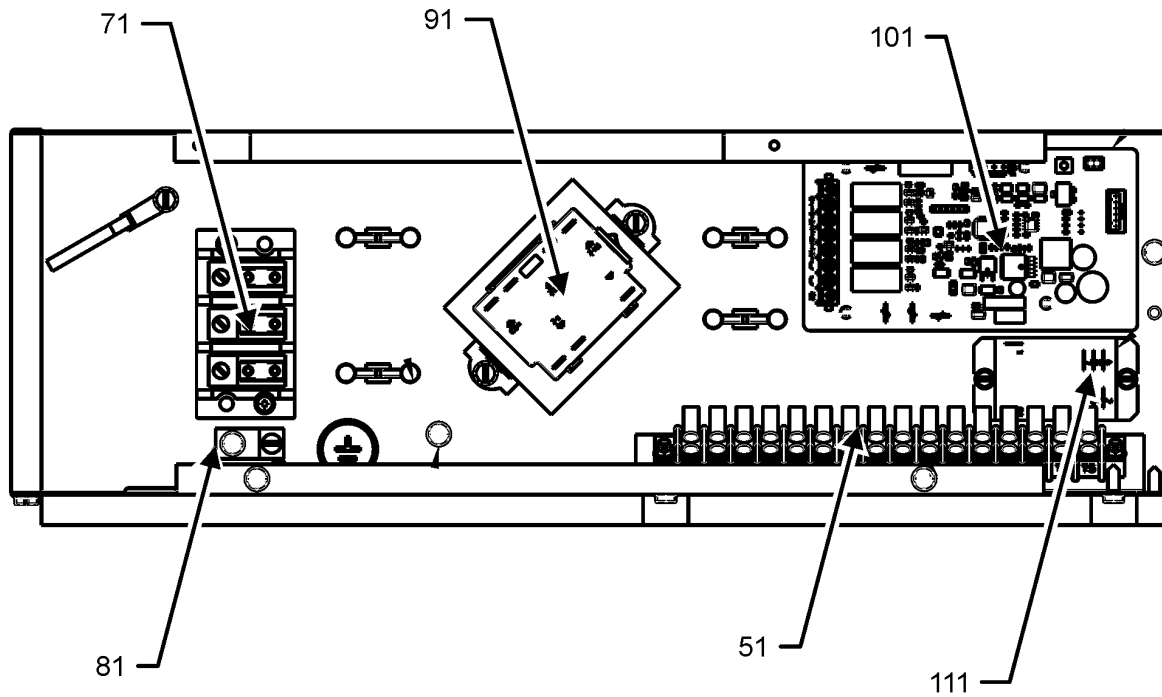
21	0121A01726	BRACKET FILTER SUPPORT (QTY 2)
31	0121A02034	FILTER SUPPORT
41	0121A01993	BRACKET, COIL, BLOCKOFF
51	0121A01994	COIL BLOCKOFF
61	0121A02076	COIL BRACE (QTY 2)
71	0202A00684	COIL TUBING ASSEMBLY (M1, M2)
71	0202A00691	COIL TUBING ASSEMBLY (M3, M4)
241	0251A00000	TXV & FLOWRATOR ASSY (M1, M2)
241	0251A00001	TXV & FLOWRATOR ASSY (M3, M4)
251	0251A00002	TXV & FLOWRATOR ASSY (M3, M4)
251	0251A00003	TXV & FLOWRATOR ASSY (M1, M2)
311	0121A01956	R32 SENSOR BRACKET
321	SER2A08012	SENSARA R32 SENSOR
NS	0160L00136	AIR FILTER (QTY 2)
NS	0160L00174	AIR FILTER (QTY 2)
NS	0121A01998	BRACKET SUPPORT COIL
NS	0121A01997	BRKT SUPPORT COIL DAQ
NS	0121A02032	CHANNEL SUPPORT
NS	0121A01996	COIL BLOCK OFF TOP
NS	0121A02075	COIL, REAR BLOCK-OFF
NS	0163M00629	RED CAP WITH O-RING (QTY 4)
NS	0151M00104	VALVE CORE (QTY 4)

Expanded Model Nomenclature

- | |
|-----------------|
| M1 - DAQ09033AA |
| M2 - DAQ09034AA |
| M3 - DAQ12033AA |
| M4 - DAQ12034AA |

CONTROL BOX ASSEMBLY

CONTROL PANEL ASSEMBLY



CONTROL PANEL ASSEMBLY MAY DIFFER FROM WHAT IS SHOWN

CONTROL BOX ASSEMBLY

Ref. Part No:	No:	Description:	Ref. Part No:	No:	Description:
---------------	-----	--------------	---------------	-----	--------------

Image 1:

51	0130M00038	TERMINAL BOARD
71	0130M00906	BLOCK, POWER
81	B1378533	LUG, GROUND SMALL, 4T
91	0130L00406	TRANSFORMER (M1, M3)
91	0130M00858	TRANSFORMER (M2, M4)
101	PCBCM301V0001	PCB, CONTROL, AIR HANDLER
111	0130M00178	DPDT RELAY 24VAC
NS	0259L00195	6 PIN FEMALE PLUG ASSY
NS	0161M00025	BUSHING (QTY 2)
NS	B13926124	GASKET
NS	0130L00266	MOTOR CONTROL HARNESS1
NS	0130L00268	MOTOR CONTROL HARNESS2
NS	0130L00269	MOTOR POWER HARNESS1
NS	0130L00270	MOTOR POWER HARNESS2
NS	0121A01938	TERMINAL BLOCK MOUNT
NS	0259L01997	WIRE HARNESS ASSY

Expanded Model Nomenclature

M1 - DAQ09033AA
M2 - DAQ09034AA
M3 - DAQ12033AA
M4 - DAQ12034AA