

## FTA\*\*AAVJU\* R32 VRV Air Handler

FTA18AAVJUAAA  
FTA18AAVJUDAA  
FTA24AAVJUAAA  
FTA24AAVJUDAA  
FTA30AAVJUAAA  
FTA30AAVJUDAA  
FTA36AAVJUAAA  
FTA36AAVJUDAA  
FTA42AAVJUAAA  
FTA42AAVJUDAA  
FTA48AAVJUAAA  
FTA48AAVJUDAA



This manual is to be used by qualified technicians only.

# Important Information

---

## Index

Functional Parts List .....	3
Illustration and Parts .....	4 - 9

*Views shown are for parts illustrations only, not servicing procedures.*

### Text Codes:

AR - As Required

NA - Not Available

NS - Not Shown

00000000 - See Note

QTY - Quantity Example (QTY 3) (If Quantity not shown, Quantity = 1)

M - Model Example (M1) (If M Code not shown, then part is used on all Models)

### Expanded Model Nomenclature:

Example
M1 - Model#1
M2 - Model#2
M3 - Model#3

Daikin Comfort Technologies Manufacturing , Inc. is not responsible for personal injury or property damage resulting from improper service. Review all service information before beginning repairs.

Warranty service must be performed by an authorized technician, using authorized factory parts. If service is required after the warranty expires, Daikin Comfort Technologies Manufacturing , Inc also recommends contacting an authorized technician and using authorized factory parts.

Daikin Comfort Technologies Manufacturing , Inc. reserves the right to discontinue, or change at any time, specifications or designs without notice or without incurring obligations.

For assistance within the U.S.A. contact:  
Homeowner Support  
Daikin Comfort Technologies Manufacturing , Inc.  
19001 Kermier Road  
Waller, Texas 77484  
855-770-5678-Telephone  
713-863-2382-Facsimile

For assistance outside the U.S.A. contact:  
International Division  
Daikin Comfort Technologies Manufacturing , Inc.  
19001 Kermier Road  
Waller, Texas 77484  
713-861-2500-Telephone  
713-863-2382-Facsimile

# Functional Parts

**Part**

**No: Description:**

2P769678-5	BASE MODULE PCB FTA
065336J	CAPACITY ADAPTER (M3, M4)
066965J	CAPACITY ADAPTER (M5, M6)
065337J	CAPACITY ADAPTER (M7, M8)
069706J	CAPACITY ADAPTER (M9, M10)
065338J	CAPACITY ADAPTER (M11, M12)
064060J	CAPACITY ADAPTER (M1, M2)
CBK2PD240VC060	CBK, 2 POLE, DUAL, 120/240V (M2, M4, M6, M8, M10, M12)
3P381420-2	EEV COIL
2P765966-1	FUNCTIONAL PCB
0131M01002	MOTOR, 1/2 HP (M1, M2, M3, M4, M5, M6, M7, M8)
0131M01003	MOTOR, 3/4 HP (M9, M10, M11, M12)
3S500051-1	PULSE MOTOR EXPANS EEV (M1, M2, M3, M4)
3S500052-1	PULSE MOTOR EXPANS EEV (M5, M6)
3S500053-1	PULSE MOTOR EXPANS EEV (M7, M8, M9, M10)
3S500054-1	PULSE MOTOR EXPANS EEV (M11, M12)
SER2A05012	SENSATA R32 SENSOR
4P419914-2	THERMISTOR ASSY
0130M00871	TRANSFORMER 75VA
0230A00051	TRANSFORMER AND PCB BRKT ASSY
0130M00138	TRANSFORMER, 208/230, 24V

**SPECIAL PARTS**

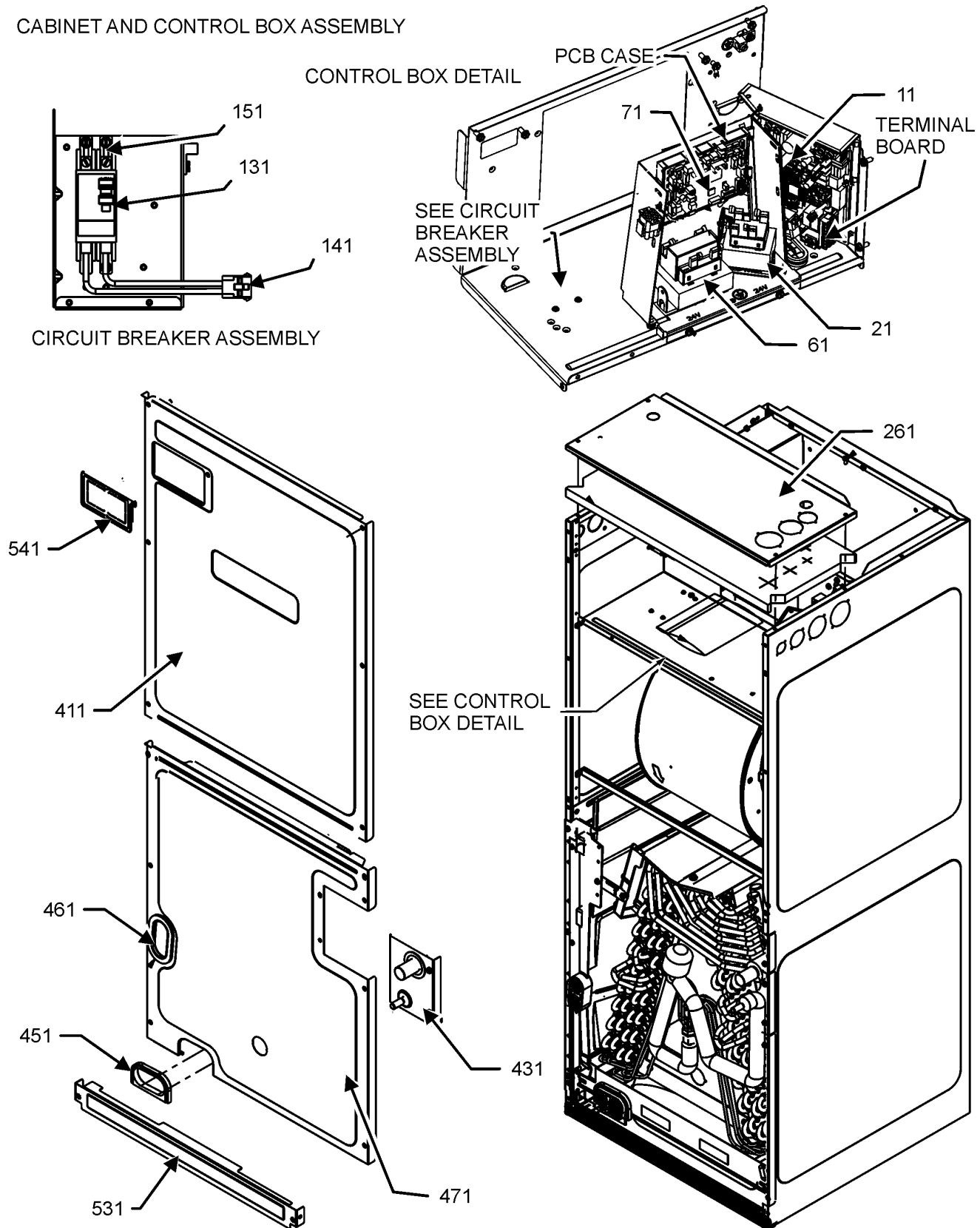
IOD-4060	I/O MANUAL SKY AIR FTA I/D
IOD-4059	I/O MANUAL SKY AIR FTA I/D

**Expanded Model Nomenclature**

M1 - FTA18AAVJUAAA
M2 - FTA18AAVJUDAA
M3 - FTA24AAVJUAAA
M4 - FTA24AAVJUDAA
M5 - FTA30AAVJUAAA
M6 - FTA30AAVJUDAA
M7 - FTA36AAVJUAAA
M8 - FTA36AAVJUDAA
M9 - FTA42AAVJUAAA
M10 - FTA42AAVJUDAA
M11 - FTA48AAVJUAAA
M12 - FTA48AAVJUDAA

# Cabinet and Control Box Assembly

## CABINET AND CONTROL BOX ASSEMBLY



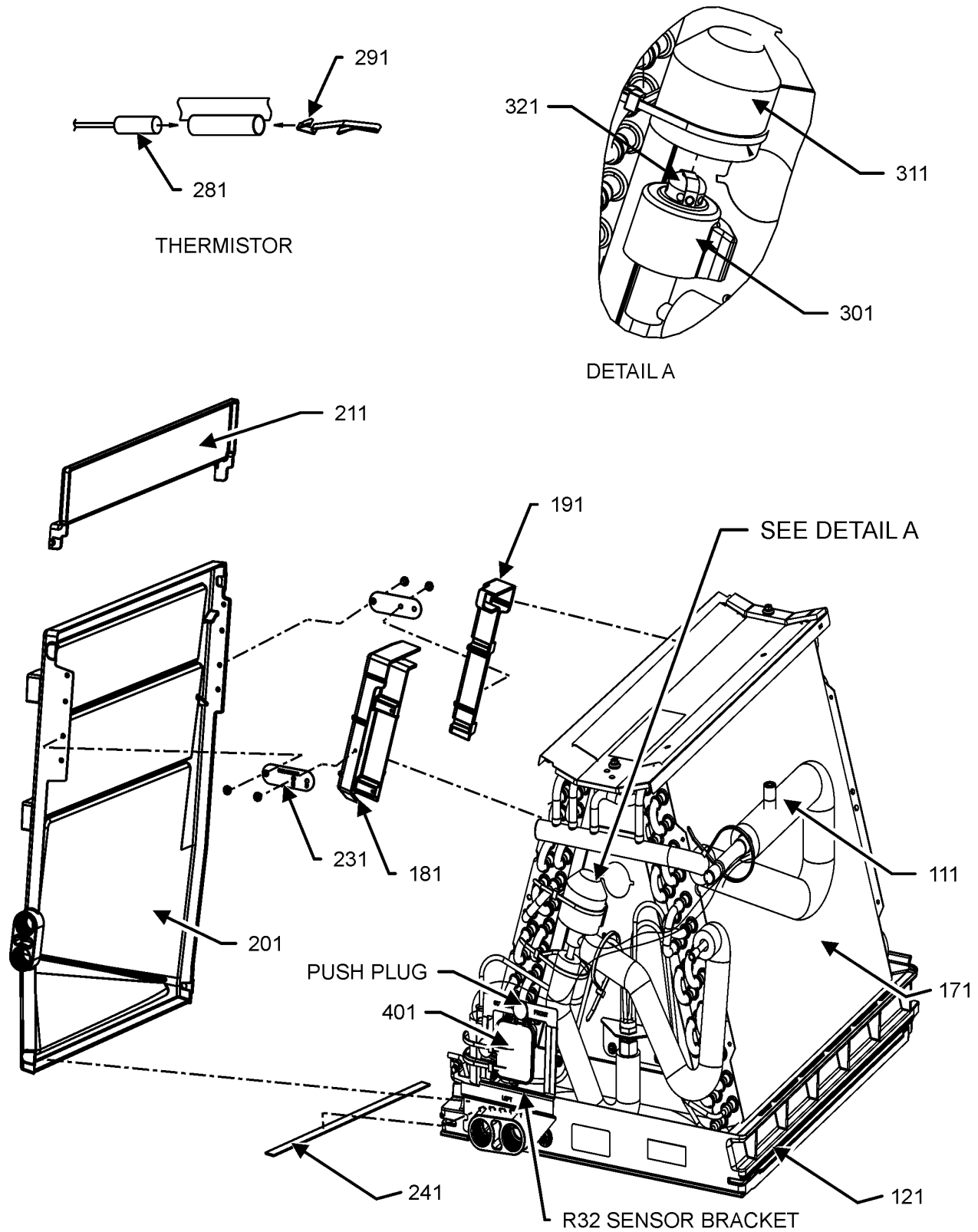
CABINET AND CONTROL BOX ASSEMBLY MAY DIFFER FROM WHAT IS SHOWN

# Cabinet and Control Box Assembly

Ref. Part No:	Ref. Part No:	Description:	Description:
<b>Image 1:</b>		<b>Expanded Model Nomenclature</b>	
11	2P765966-1	FUNCTIONAL PCB	M1 - FTA18AAVJUAAA
21	0230A00051	TRANSFORMER AND PCB BRKT ASSY	M2 - FTA18AAVJUDAA
21	0130M00138	TRANSFORMER, 208/230, 24V	M3 - FTA24AAVJUAAA
61	0130M00871	TRANSFORMER 75VA	M4 - FTA24AAVJUDAA
71	2P769678-5	BASE MODULE PCB FTA	M5 - FTA30AAVJUAAA
131	CBK2PD240VC060	CBK,2 POLE, DUAL,120/240V (M2, M4, M6, M8, M10, M12)	M6 - FTA30AAVJUDAA
141	0259A00091	WIRE ASSY, 12 PIN FEMALE CONN	M7 - FTA36AAVJUAAA
141	0259A00021	WIRE ASSY, 9 PIN FEMALE CONN (M1, M3, M5, M7, M9, M11)	M8 - FTA36AAVJUDAA
141	0259A00032P	WIRE ASSY, 9 PIN FEMALE CONN. (M2, M4, M6, M8, M10, M12)	M9 - FTA42AAVJUAAA
151	0121A00400	2 POLE MOUNTING BRACKET (M2, M4, M6, M8, M10, M12)	M10 - FTA42AAVJUDAA
261	0121A01483PNG	PLATE, UPPER TIE (M1, M2, M3, M4, M5, M6, M7, M8)	M11 - FTA48AAVJUAAA
261	0121A01484PNG	PLATE, UPPER TIE (M9, M10, M11, M12)	M12 - FTA48AAVJUDAA
411	0121A00834PNG	PANEL, UPPER ACCESS (M9, M10, M11, M12)	
411	0121A00835PNG	PANEL, UPPER ACCESS (M1, M2, M3, M4, M5, M6, M7, M8)	
431	0121A00658PNG	REFRIGERATION TUBING PANEL	
451	0154A00006BL	GASKET, DRAIN PAN	
461	0154A00007BL	GASKET, DRAIN PAN	
471	0121A00620PNG	LOWER ACCESS PANEL (M1, M2, M3, M4, M5, M6, M7, M8)	
471	0121A01477PNG	LOWER ACCESS PANEL PAINTED (M9, M10, M11, M12)	
531	0121A00242PNG	Panel, Filter Access (M1, M2, M3, M4, M5, M6, M7, M8)	
531	0121A00243PNG	Panel, Filter Access (M9, M10, M11, M12)	
541	0161A00073	CIRCUIT BREAKER COVER	
NS	064060J	CAPACITY ADAPTER (M1, M2)	
NS	065336J	CAPACITY ADAPTER (M3, M4)	
NS	065337J	CAPACITY ADAPTER (M7, M8)	
NS	065338J	CAPACITY ADAPTER (M11, M12)	
NS	066965J	CAPACITY ADAPTER (M5, M6)	
NS	069706J	CAPACITY ADAPTER (M9, M10)	
NS	0164A00002	GROMMET	
NS	0164A00016	GROMMET	
NS	0164A00026	GROMMET, RUBBER	
NS	IOD-4059	I/O MANUAL SKY AIR FTA I/D	
NS	IOD-4060	I/O MANUAL SKY AIR FTA I/D	
NS	0161A00206	PCB CASE	
NS	0259A00088	PCB WIRE HARNESS ASSY	
NS	0163M00036	SCREW,#10X1/2,B,BZ,SLOT,SR,BLK (QTY 4)	
NS	0130A20000	TERMINAL BLOCK	
NS	0163A00026	THUMB SCREW (QTY 2)	
NS	BT1392909	WASHER; SS RETAINING (QTY 2)	
NS	0259A00078	WIRE HARNESS ASSY	
NS	0259A00079	WIRE HARNESS ASSY	
NS	0259A00063	WIRE HARNESS, CONNECTOR	

# Coil Tubing Assembly

## COIL TUBING ASSEMBLY



COIL TUBING ASSEMBLY MAY DIFFER FROM WHAT IS SHOWN

# Coil Tubing Assembly

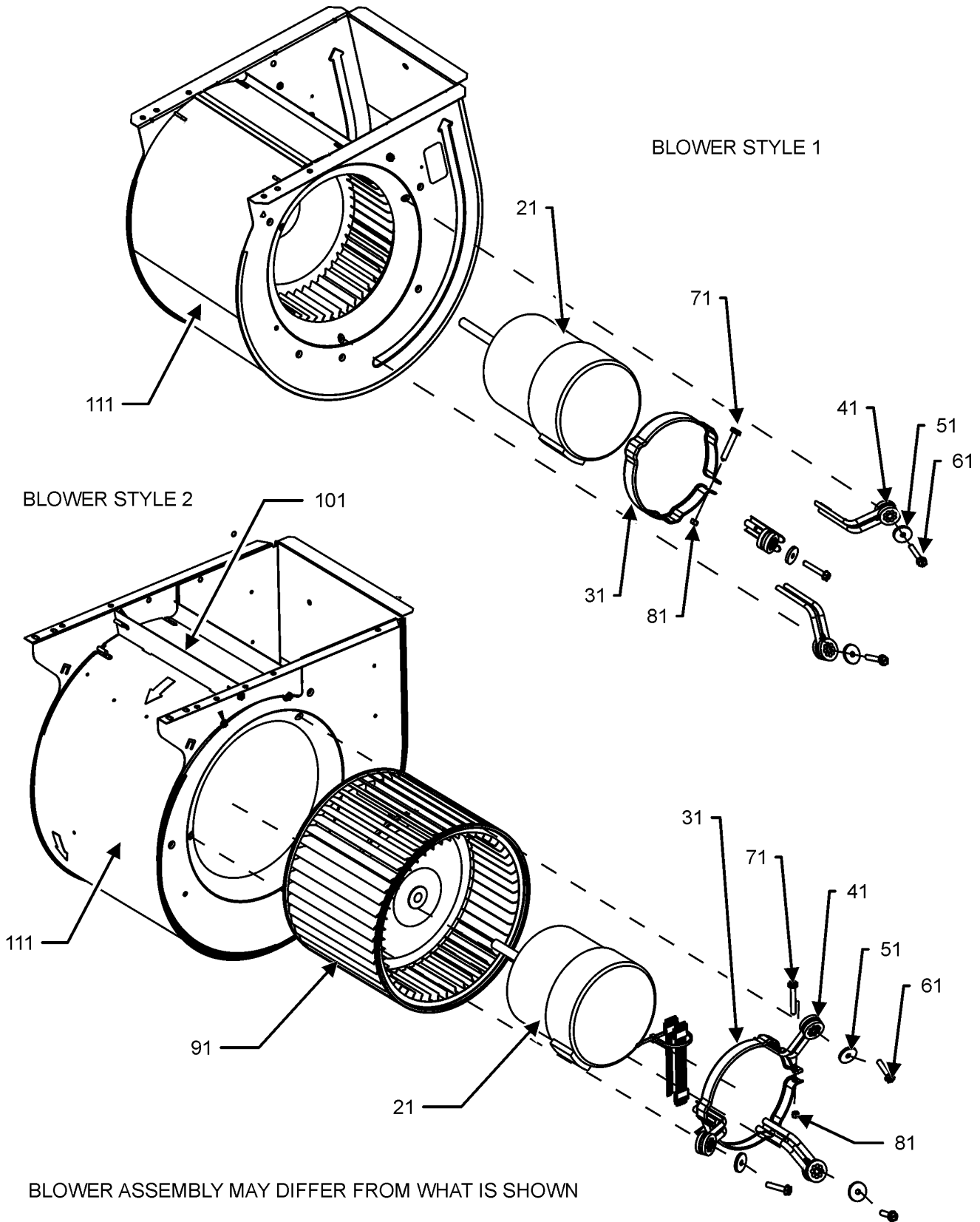
Ref. Part No:	Ref. Part No:	Description:	Description:
<b>Image 1:</b>			
111	0151M00104	VALVE CORE	
121	0161A00049	DRAINPAN, VERTICAL (M1, M2, M3, M4, M5, M6, M7, M8)	
121	0161A00052	DRAINPAN, VERTICAL (M9, M10, M11, M12)	
171	0270A02074	COIL TUBING ASSY (M1, M2, M3, M4)	
171	0270A02075	COIL TUBING ASSY (M5, M6)	
171	0270A02076	COIL TUBING ASSY (M7, M8)	
171	0270A02077	COIL TUBING ASSY (M9, M10)	
171	0270A02078	COIL TUBING ASSY (M11, M12)	
181	0161A00060	CONDENSATE, COLLECT, FRONT	
191	0161A00061	CONDENSATE, COLLECT, BACK	
201	0161A00053	DRAIN PAN HORIZONTAL, TALL (M9, M10, M11, M12)	
201	0161A00055	DRAINING PAN HORIZONTAL, SMALL (M1, M2, M3, M4, M5, M6, M7, M8)	
211	0161A00054	DRAIN PAN, EXTENSION, SMALL	
231	0121A00357	Bracket, Drip Shield (M9, M10, M11, M12)	
231	0121A00633	Bracket, Drip Shield (M1, M2, M3, M4, M5, M6, M7, M8)	
241	0154A00016	GASKET, PORON	
281	4P419914-2	THERMISTOR ASSY	
291	4PA38890-1	MOUNTING SPRING, THERMISTOR	
301	3P381420-2	EEV COIL	
311	4P399446-1	WATERPROOF CAP	
321	3S500051-1	PULSE MOTOR EXPANS EEV (M1, M2, M3, M4)	
321	3S500052-1	PULSE MOTOR EXPANS EEV (M5, M6)	
321	3S500053-1	PULSE MOTOR EXPANS EEV (M7, M8, M9, M10)	
321	3S500054-1	PULSE MOTOR EXPANS EEV (M11, M12)	
401	SER2A05012	SENSATA R32 SENSOR	
NS	0151M00101	ACCESS VALVE FITTING	
NS	0121A01789	BRKT SENSOR	
NS	3P277773-5	FILTER (M1, M2, M3, M4)	
NS	3P277773-8	FILTER (M5, M6, M7, M8, M9, M10, M11, M12)	
NS	0161A00134	PUSH PLUG (QTY 2)	
NS	0163M00629	RED CAP WITH ORING	
NS	0259M00008	WIRE HARNESS	

## Expanded Model Nomenclature

M1 - FTA18AAVJUAAA
M2 - FTA18AAVJUDAA
M3 - FTA24AAVJUAAA
M4 - FTA24AAVJUDAA
M5 - FTA30AAVJUAAA
M6 - FTA30AAVJUDAA
M7 - FTA36AAVJUAAA
M8 - FTA36AAVJUDAA
M9 - FTA42AAVJUAAA
M10 - FTA42AAVJUDAA
M11 - FTA48AAVJUAAA
M12 - FTA48AAVJUDAA

# Blower Assembly

## BLOWER ASSEMBLY



BLOWER ASSEMBLY MAY DIFFER FROM WHAT IS SHOWN

# Blower Assembly

Ref. Part No:	Part No:	Description:	Ref. Part No:	Part No:	Description:
---------------	----------	--------------	---------------	----------	--------------

**Image 1:**

21	0131M01002	MOTOR, 1/2 HP (M1, M2, M3, M4, M5, M6, M7, M8)
21	0131M01003	MOTOR, 3/4 HP (M9, M10, M11, M12)
31	0121M00038	MOTOR MOUNT BAND
41	0171M00011	MOTOR MOUNT ARM (M1, M2, M3, M4, M5, M6, M7, M8)
41	0171M00012	MOTOR MOUNT ARM (M9, M10, M11, M12)
51	B1392918	WASHER, FLAT 1/4 ID X 1 OD (QTY 3)
61	M0250565	TC SCREW 1.25" (QTY 3)
71	0163M00320	HEX HED ALL THREAD TAP BOLT
81	B1393800	LOCKNUT, NYLON, INSERT 1/4,20
91	B1368058	BLOWER WHEEL 10X8 (M9, M10, M11, M12)
101	764740	BLOWER BLOCK-OFF 10 X 8 (M9, M10, M11, M12)
111	0271A00029	ASSY, BLOWER SHELL 10 X 8 (M9, M10, M11, M12)
111	0271A00299	BLOWER SHELL ASSY 9X6, MORRISON (M1, M2, M3, M4, M5, M6, M7, M8)
NS	0259M00008	WIRE HARNESS

**Expanded Model Nomenclature**

M1 - FTA18AAVJUAAA
M2 - FTA18AAVJUDAA
M3 - FTA24AAVJUAAA
M4 - FTA24AAVJUDAA
M5 - FTA30AAVJUAAA
M6 - FTA30AAVJUDAA
M7 - FTA36AAVJUAAA
M8 - FTA36AAVJUDAA
M9 - FTA42AAVJUAAA
M10 - FTA42AAVJUDAA
M11 - FTA48AAVJUAAA
M12 - FTA48AAVJUDAA