

## RXP Outdoor Unit R-32

RXP09AVJU9  
RXP12AVJU9  
RXP15AVJU9  
RXP18AVJU9  
RXP24AVJU9



This manual is to be used by qualified technicians only.

# Important Information

---

## Index

Functional Parts List .....	3
Illustration and Parts .....	4 - 7

*Views shown are for parts illustrations only, not servicing procedures.*

### Text Codes:

AR - As Required

NA - Not Available

NS - Not Shown

00000000 - See Note

QTY - Quantity Example (QTY 3) (If Quantity not shown, Quantity = 1)

M - Model Example (M1) (If M Code not shown, then part is used on all Models)

### Expanded Model Nomenclature:

Example
M1 - Model#1
M2 - Model#2
M3 - Model#3

Daikin Comfort Technologies Manufacturing , Inc. is not responsible for personal injury or property damage resulting from improper service. Review all service information before beginning repairs.

Warranty service must be performed by an authorized technician, using authorized factory parts. If service is required after the warranty expires, Daikin Comfort Technologies Manufacturing , Inc. also recommends contacting an authorized technician and using authorized factory parts.

Daikin Comfort Technologies Manufacturing , Inc. reserves the right to discontinue, or change at any time, specifications or designs without notice or without incurring obligations.

For assistance within the U.S.A. contact:  
Homeowner Support  
Daikin Comfort Technologies Manufacturing , Inc.  
19001 Kermier Road  
Waller, Texas 77484  
855-770-5678-Telephone  
713-863-2382-Facsimile

For assistance outside the U.S.A. contact:  
International Division  
Daikin Comfort Technologies Manufacturing , Inc.  
19001 Kermier Road  
Waller, Texas 77484  
713-861-2500-Telephone  
713-863-2382-Facsimile

# Functional Parts

## Part

## No: Description:

---

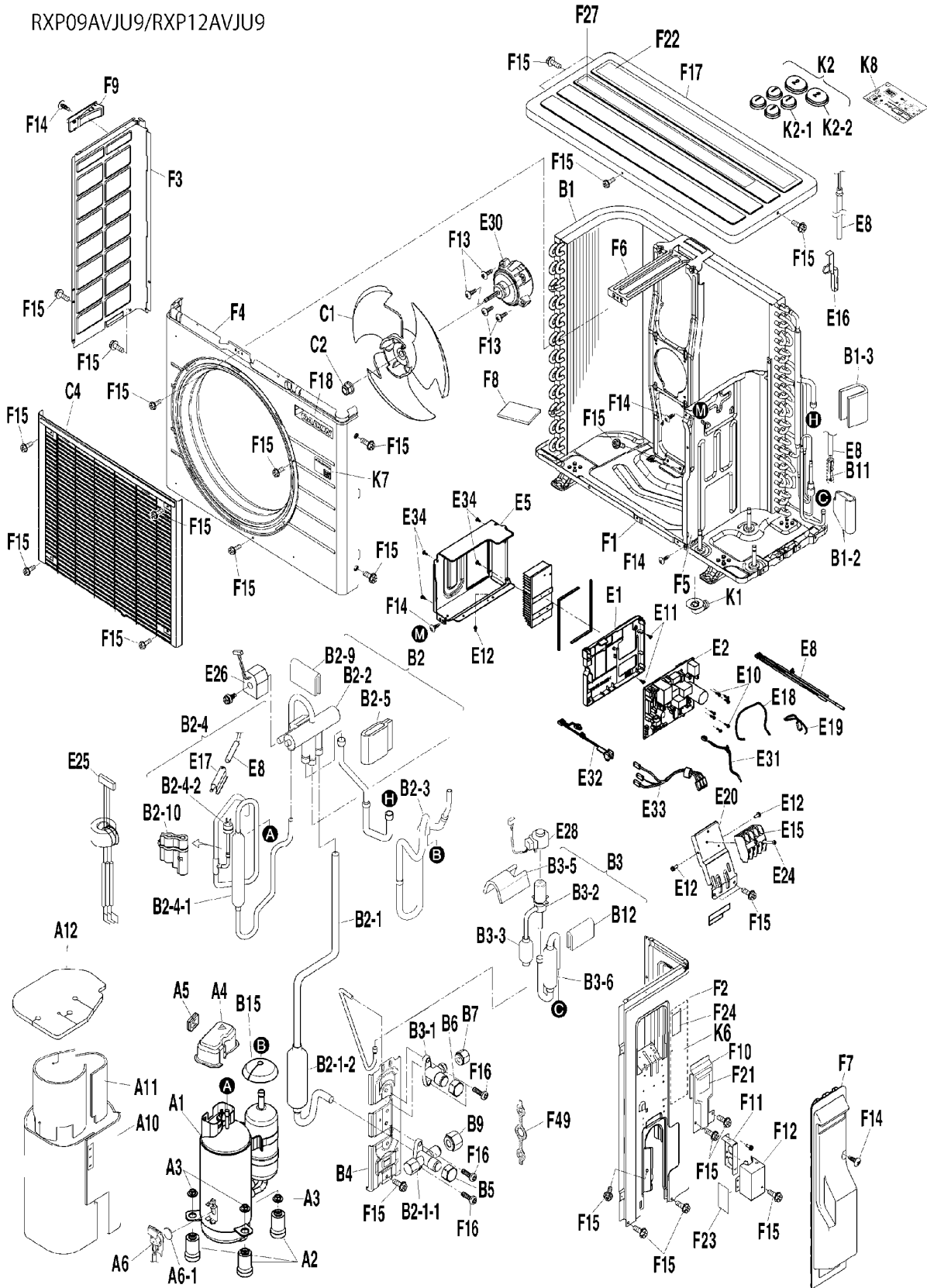
2570897	COMPRESSOR (M3, M4, M5)
2558463	COMPRESSOR ASSY. (M1, M2)
2562062	DC FAN MOTOR (M1, M2)
2561027	DC FAN MOTOR (M3, M4, M5)
2534983	HIGH PRESSURE SWITCH
2428510	OVERLOAD PROTECTOR
2570919	PRINTED CIRCUIT BOARD ASSY. (M5)
2570918	PRINTED CIRCUIT BOARD ASSY. (M4)
2570917	PRINTED CIRCUIT BOARD ASSY. (M3)
2570916	PRINTED CIRCUIT BOARD ASSY. (M2)
2570915	PRINTED CIRCUIT BOARD ASSY. (M1)

### Expanded Model Nomenclature

M1 - RXP09AVJU9
M2 - RXP12AVJU9
M3 - RXP15AVJU9
M4 - RXP18AVJU9
M5 - RXP24AVJU9

# RXP[09-12]AVJU9

RXP09AVJU9/RXP12AVJU9



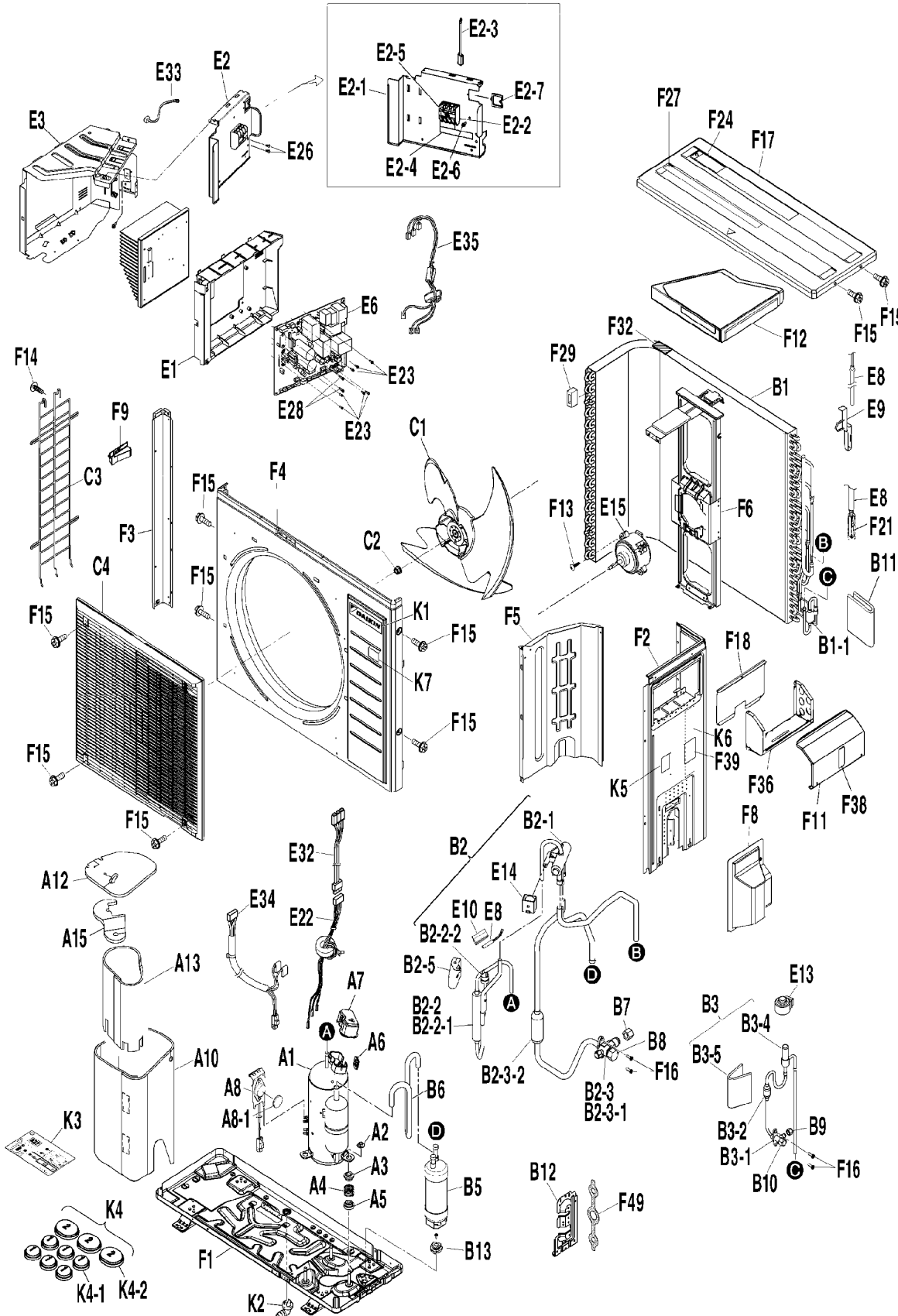
Picture Key	
Ref #	Picture #
1	A1
2	A10
3	A11
4	A12
5	A2
6	A3
7	A4
8	A5
9	A6
10	A6-1
11	B1
12	B11
13	B12
14	B1-2
15	B1-3
16	B15
17	B2
18	B2-1
19	B2-10
20	B2-1-1
21	B2-1-2
22	B2-2
23	B2-3
24	B2-4
25	B2-4-1
26	B2-4-2
27	B2-5
28	B2-9
29	B3
30	B3-1
31	B3-2
32	B3-3
33	B3-5
34	B3-6
35	B4
36	B5
37	B6
38	B7
39	B9
40	C1
41	C2
42	C4
43	E1
44	E10
45	E11
46	E12
47	E15
48	E16
49	E17
50	E18
51	E19
52	E2
53	E20
54	E24
55	E25
56	E26
57	E28
58	E30
59	E31
60	E32
61	E33
62	E34
63	E5
64	E8
65	F1
66	F10
67	F11
68	F12
69	F13
70	F14
71	F15
72	F16
73	F17
74	F18
75	F2
76	F21
77	F22
78	F23
79	F24
80	F27
81	F3
82	F4
83	F49
84	F5
85	F6
86	F7
87	F8
88	F9
89	K1
90	K2
91	K2-1
92	K2-2
93	K6
94	K7
95	K8

# RXP[09-12]AVJU9

Ref. Part No: No:	Description:	Ref. Part No: No:	Description:					
<b>Image 1:</b>		<b>Image 1:</b>						
1	2558463 COMPRESSOR ASSY. (M1, M2)	57	6028120 COIL/ ELECTRONIC EXP. VALVE (M1, M2)					
2	2562088 SOUND INSULATION (OUTER SLEEVE) (M1, M2)	58	2562062 DC FAN MOTOR (M1, M2)					
3	2562089 SOUND INSULATION (INNER SLEEVE) (M1, M2)	59	NA EARTH WIRE (M1, M2)					
4	2562090 SOUND INSULATION (TOP) (M1, M2)	60	2562060 WIRE HARNESS ASSY. (FOR OL/HPS) (M1, M2)					
5	128989J VIBRATION ABSORBER (M1, M2)	61	2562085 WIRE HARNESS ASSY. (M1, M2)					
6	4010410 WASHER (NUT WITH WASHER) (M1, M2)	62	121650J TRUSS HEAD TAPPING SCREW (M1, M2)					
7	2425597 TERMINAL COVER (M1, M2)	63	2562056 EL. COMPO. MOUNTING PLATE (M1, M2)					
8	040139J RUBBER BUSH/ LEAD WIRE (M1, M2)	64	2562057 THERMISTOR ASSY. (M1, M2)					
9	2428510 OVERLOAD PROTECTOR (M1, M2)	65	2562087 BOTTOM FRAME ASSY. (M1, M2)					
10	2428527 RADIATION SHEET (M1, M2)	66	2562072 RADIATION SHIELD PLATE (M1, M2)					
11	2562083 HEAT EXCHANGER ASSY. (L BEND) (M1, M2)	67	2562075 CONDUIT MOUNTING PLATE (M1, M2)					
12	380120J FITTING SPRING/ THERMISTOR (M1, M2)	68	2562076 COVER (CONDUIT MOUNTING PLATE) (M1, M2)					
13	1851908 PUTTY (M1, M2)	69	147362J TRUSS HEAD TAPPING SCREW (M1, M2)					
14	2562084 PUTTY (M1, M2)	70	008203J TRUSS HEAD TAPPING SCREW (M1, M2)					
15	1776968 PUTTY (M1, M2)	71	109224J HEX HEAD TAPPING SCREW (M1, M2)					
16	111898J SOUND ABSORBING PUTTY (M1, M2)	72	048017J PAN HEAD TAPPING SCREW (M1, M2)					
17	NA FOUR WAY VALVE ASSY. (M1, M2)	73	2562066 TOP PLATE ASSY. (M1, M2)					
18	NA GAS STOP VALVE ASSY. (M1, M2)	74	2562082 BRAND NAME LABEL (M1, M2)					
19	2562605 PUTTY (HEAT RESISTANT) (M1, M2)	75	2562067 RIGHT SIDE PLATE (M1, M2)					
20	2267032 STOP VALVE ASSY. (GAS LINE) (M1, M2)	76	NA CAUTION LABEL (ELECTRIC SHOCK) (M1, M2)					
21	140620J MUFFLER (M1, M2)	77	NA CAUTION LABEL (SUPERCARGO) (M1, M2)					
22	1964138 BODY/ FOUR WAY VALVE (M1, M2)	78	NA CAUTION LABEL (BURN) (M1, M2)					
23	NA SUCTION PIPE ASSY. (M1, M2)	79	NA PRODUCT LIABILITY CAUTION LABEL (M1, M2)					
24	NA DISCHARGE PIPE ASSY. (M1, M2)	80	NA CAUTION LABEL(DUCT) (M1, M2)					
25	117029J MUFFLER (M1, M2)	81	2562068 LEFT SIDE PLATE (M1, M2)					
26	2534983 HIGH PRESSURE SWITCH (M1, M2)	82	2562069 FRONT PLATE (M1, M2)					
27	1754285 PUTTY (M1, M2)	83	2561939 SIDE CAP (PAIR SERVICE PORT) (M1, M2)					
28	2540629 PUTTY (HEAT RESISTANT) (M1, M2)	84	2562070 PARTITION PLATE (M1, M2)					
29	NA ELECTRONIC EXP. VALVE ASSY. (M1, M2)	85	2562071 FAN MOTOR STAND ASSY. (M1, M2)					
30	2319313 LIQUID STOP VALVE ASSY. (SUB) (M1, M2)	86	2562073 STOP VALVE COVER ASSY. (M1, M2)					
31	2445584 BODY/ ELECTRONIC EXP. VALVE (M1, M2)	87	2562077 CUSHION MATERIAL (H/E) (M1, M2)					
32	138233J MUFFLER (M1, M2)	88	2562074 HANDLE (LEFT) (M1, M2)					
33	2100230 PUTTY (M1, M2)	89	2561222 DRAIN JOINT (M1, M2)					
34	2562054 FILTER ASSY. (1) (M1, M2)	90	NA ACCESSORY SET (M1, M2)					
35	2562052 STOP VALVE MOUNTING PLATE (M1, M2)	91	2253709 CAP 1 (DRAIN) (M1, M2)					
36	2158703 VALVE CAP (M1, M2)	92	2253716 CAP 2 (DRAIN) (M1, M2)					
37	1753314 VALVE CAP (M1, M2)	93	NA CAUTION LABEL (FLAMMABLE GAS) (M1, M2)					
38	1723546 FLARE NUT (M1, M2)	94	2561738 LABEL NAME PLATE (INVERTER R32) (M1, M2)					
39	119848J FLARE NUT (M1, M2)	95	2561739 ADDITIONAL REFR. CHARGE LABEL (M1, M2)					
40	2562064 PROPELLER FAN (M1, M2)	<b>Expanded Model Nomenclature</b>						
41	847002J FAN RETAINING NUT (M1, M2)	<table border="1"> <tr> <td>M1 - RXP09AVJU9</td> </tr> <tr> <td>M2 - RXP12AVJU9</td> </tr> <tr> <td>M3 - RXP15AVJU9</td> </tr> <tr> <td>M4 - RXP18AVJU9</td> </tr> <tr> <td>M5 - RXP24AVJU9</td> </tr> </table>		M1 - RXP09AVJU9	M2 - RXP12AVJU9	M3 - RXP15AVJU9	M4 - RXP18AVJU9	M5 - RXP24AVJU9
M1 - RXP09AVJU9								
M2 - RXP12AVJU9								
M3 - RXP15AVJU9								
M4 - RXP18AVJU9								
M5 - RXP24AVJU9								
42	2540577 DISCHARGE GRILLE ASSY. (M1, M2)							
43	2562055 EL. COMPO. BOX (M1, M2)							
44	131073J PAN HEAD MACHINE SCREW (M1, M2)							
45	040908J TRUSS HEAD SCREW (M1, M2)							
46	113783J TAPPING SCREW (M1, M2)							
47	156720J TERMINAL BLOCK (M1, M2)							
48	128511J FIXTURE/ THERMISTOR (M1, M2)							
49	1728781 THERMISTOR FIXTURE (M1, M2)							
50	NA EARTH WIRE (M1, M2)							
51	NA EARTH WIRE (M1, M2)							
52	2570915 PRINTED CIRCUIT BOARD ASSY. (M1)							
52	2570916 PRINTED CIRCUIT BOARD ASSY. (M2)							
53	2562058 MOUNTING PLATE (TERMINAL STRIP) (M1, M2)							
54	1839504 PAN HEAD TAPPING SCREW (M1, M2)							
55	2562086 WIRE HARNESS (COMP.) (M1, M2)							
56	2562063 COIL/ FOUR WAY VALVE (M1, M2)							

# RXP[15,18,24]AVJU9

RXP15AVJU9/RXP18AVJU9/RXP24AVJU9



Picture Key	
Ref #	Picture #
1	A1
2	A10
3	A12
4	A13
5	A15
6	A2
7	A3
8	A4
9	A5
10	A6
11	A7
12	A8
13	A8-1
14	B1
15	B10
16	B11
17	B1-1
18	B12
19	B13
20	B2
21	B2-1
22	B2-2
23	B2-2-1
24	B2-2-2
25	B2-3
26	B2-3-1
27	B2-3-2
28	B2-5
29	B3
30	B3-1
31	B3-2
32	B3-4
33	B3-5
34	B5
35	B6
36	B7
37	B8
38	B9
39	C1
40	C2
41	C3
42	C4
43	E1
44	E10
45	E13
46	E14
47	E15
48	E2
49	E2-1
50	E22
51	E2-2
52	E23
53	E2-3
54	E2-4
55	E2-5
56	E26
57	E2-6
58	E2-7
59	E28
60	E3
61	E32
62	E33
63	E34
64	E35
65	E6
66	E8
67	E9
68	F1
69	F11
70	F12
71	F13
72	F14
73	F15
74	F16
75	F17
76	F18
77	F2
78	F21
79	F24
80	F27
81	F29
82	F3
83	F32
84	F36
85	F38
86	F39
87	F4
88	F49
89	F5
90	F6
91	F8
92	F9
93	F11
94	F16
95	F17
96	F18
97	F19
98	F20
99	F21
100	F22
101	F23

# RXP[15,18,24]AVJU9

Ref. Part No:	Ref. Part No:	Description:	Description:		
<b>Image 1:</b>		<b>Image 1:</b>			
1	2570897	COMPRESSOR (M3, M4, M5)	50	2561028	WIRE HARNESS ASSY. (FOR COMP.) (M3, M4, M5)
2	2561043	SOUND INSULATION (OUTER SLEEVE) (M3, M4, M5)	51	156720J	TERMINAL BLOCK (M3, M4, M5)
3	2561485	SOUND INSULATION (OUTER TOP) (M3, M4, M5)	52	131073J	PAN HEAD MACHINE SCREW (M3, M4, M5)
4	2561316	SOUND INSULATION (INNER SLEEVE) (M3, M4, M5)	53	2561469	WIRE HARNESS ASSY. (EARTH WIRE) (M3, M4, M5)
5	6025183	SOUND INSULATION (INNER TOP) (M3, M4, M5)	54	2561470	INDICATION LABEL (TERMINAL) (M3, M4, M5)
6	4010410	WASHER (NUT WITH WASHER) (M3, M4, M5)	55	1839504	PAN HEAD TAPPING SCREW (M3, M4, M5)
7	096039J	SPRING HOLDER (1) (M3, M4, M5)	56	008203J	TRUSS HEAD TAPPING SCREW (M3, M4, M5)
8	390208J	MOUNTING SPRING (M3, M4, M5)	57	113783J	TAPPING SCREW (M3, M4, M5)
9	4016565	SPRING HOLDER (2) (M3, M4, M5)	58	099951J	EDGE SADDLE (M3, M4, M5)
10	040139J	RUBBER BUSH/ LEAD WIRE (M3, M4, M5)	59	2425667	PAN HEAD MACHINE SCREW (M3, M4, M5)
11	2425597	TERMINAL COVER (M3, M4, M5)	60	2561006	EL. COMPO. MOUNTING PLATE ASSY. (M3, M4, M5)
12	2428510	OVERLOAD PROTECTOR (M3, M4, M5)	61	2561017	WIRE HARNESS ASSY. (COMP. RELAY) (M3, M4, M5)
13	2428527	RADIATION SHEET (M3, M4, M5)	62	2561018	WIRE HARNESS ASSY. (FUNCTIONAL EARTH) (M3, M4, M5)
14	2561463	HEAT EXCHANGER ASSY. (M3, M4, M5)	63	2561019	WIRE HARNESS ASSY. (FOR OL/HPS) (M3, M4, M5)
15	1753314	VALVE CAP (M3, M4, M5)	64	2561471	WIRE HARNESS ASSY. (L/N)(S) (M3, M4, M5)
16	1912601	PUTTY (M3, M4, M5)	65	2570917	PRINTED CIRCUIT BOARD ASSY. (M3)
17	138233J	MUFFLER (M3, M4, M5)	65	2570918	PRINTED CIRCUIT BOARD ASSY. (M4)
18	2561487	STOP VALVE MOUNTING PLATE (M3, M4, M5)	65	2570919	PRINTED CIRCUIT BOARD ASSY. (M5)
19	380116J	CUSHION RUBBER/ ACCUMULATOR (M3, M4, M5)	66	2561016	THERMISTOR ASSY. (M3, M4, M5)
20	NA	FOUR WAY VALVE ASSY. (M3, M4, M5)	67	128511J	FIXTURE/ THERMISTOR (M3, M4, M5)
21	2455992	BODY/ FOUR WAY VALVE (M3, M4, M5)	68	2561315	BOTTOM FRAME ASSY. (M3, M4, M5)
22	NA	DISCHARGE PIPE ASSY. (M3, M4, M5)	69	2561473	TERMINAL STRIP COVER ASSY. (M3, M4, M5)
23	161839J	MUFFLER (M3, M4, M5)	70	2561034	POLYETHYLENE FOAM ASSY. (M3, M4, M5)
24	2534983	HIGH PRESSURE SWITCH (M3, M4, M5)	71	2120405	HEX TAPPING SCREW (3) (M3, M4, M5)
25	NA	GAS STOP VALVE ASSY. (M3, M4, M5)	72	008203J	TRUSS HEAD TAPPING SCREW (M3, M4, M5)
26	2561464	GAS STOP VALVE ASSY. (SUB) (M3)	73	109224J	HEX HEAD TAPPING SCREW (M3, M4, M5)
26	2561486	GAS STOP VALVE ASSY. (SUB) (M5)	74	048017J	PAN HEAD TAPPING SCREW (M3, M4, M5)
27	2548433	MUFFLER (M3, M4, M5)	75	2561038	TOP PLATE (M3, M4, M5)
28	2560996	PUTTY (HEAT RESISTANT) (M3, M4, M5)	76	2561037	DRIP PROOF PLATE ASSY. (TERMINAL) (M3, M4, M5)
29	NA	ELECTRONIC EXP. VALVE ASSY. (M3, M4, M5)	77	2561472	RIGHT SIDE PLATE (M3, M4, M5)
30	2561482	LIQUID STOP VALVE ASSY. (M3, M4, M5)	78	380120J	FITTING SPRING/ THERMISTOR (M3, M4, M5)
31	138233J	MUFFLER (M3, M4, M5)	79	NA	CAUTION LABEL (SUPERCARGO) (M3, M4, M5)
32	2561466	BODY/ ELECTRONIC EXP. VALVE (M3, M4, M5)	80	NA	CAUTION LABEL(DUCT) (M3, M4, M5)
33	2561752	PUTTY (M3, M4, M5)	81	1708756	SEALING MATERIAL (M3, M4, M5)
34	2561483	GAS LIQUID SEPARATOR ASSY. (M3, M4, M5)	82	2561039	LEFT SIDE PLATE (M3, M4, M5)
35	NA	SUCTION PIPE (M3, M4, M5)	83	6026829	SEALING MATERIAL (HEAT EXCH. TOP) (M3, M4, M5)
36	119849J	FLARE NUT (M3, M4)	84	2561474	CONDUIT MOUNTING PLATE ASSY. (M3, M4, M5)
36	119850J	FLARE NUT (M5)	85	NA	CAUTION LABEL (ELECTRIC SHOCK) (M3, M4, M5)
37	2159232	VALVE CAP (M3, M4)	86	NA	CAUTION LABEL (BURN) (M3, M4, M5)
37	5018326	VALVE CAP (M5)	87	2561040	FRONT PLATE (M3, M4, M5)
38	1723546	FLARE NUT (M3, M4, M5)	88	2561939	SIDE CAP (PAIR SERVICE PORT) (M3, M4, M5)
39	2561029	PROPELLER FAN ASSY. (M3, M4, M5)	89	2561031	PARTITION PLATE (M3, M4, M5)
40	847003J	LOCK NUT/ FAN (M3, M4, M5)	90	2561032	FAN MOTOR STAND ASSY. (M3, M4, M5)
41	6025762	PROTECTION NET (LEFT SIDE) (M3, M4, M5)	91	6022709	STOP VALVE COVER (M3, M4, M5)
42	6024941	DISCHARGE GRILLE ASSY. (M3, M4, M5)	92	6022835	HANDLE (M3, M4, M5)
43	2561005	EL. COMPO. BOX (M3, M4, M5)	93	2561326	BRAND NAME LABEL (M3, M4, M5)
44	6005471	FIXTURE/ THERMISTOR (M3, M4, M5)	94	2561222	DRAIN JOINT (M3, M4, M5)
45	2561025	COIL/ ELECTRONIC EXP. VALVE (M3, M4, M5)			
46	2532798	FOUR WAY VALVE COIL ASSY. (M3, M4, M5)			
47	2561027	DC FAN MOTOR (M3, M4, M5)			
48	2561753	TERMINAL STRIP MOUNTING PLATE (M3, M4, M5)			
49	2561468	MOUNTING PLATE (TERMINAL STRIP) (M3, M4, M5)			

# RXP[15,18,24]AVJU9

<b>Ref. Part No:</b>	<b>No:</b>	<b>Description:</b>	<b>Ref. Part No:</b>	<b>No:</b>	<b>Description:</b>
----------------------	------------	---------------------	----------------------	------------	---------------------

---

**Image 1:**

95	2561739	ADDITIONAL REFR. CHARGE LABEL (M3, M4, M5)
96	NA	ACCESSORY SET (M3, M4, M5)
97	2253709	CAP 1 (DRAIN) (M3, M4, M5)
98	2253716	CAP 2 (DRAIN) (M3, M4, M5)
99	NA	PRODUCT LIABILITY CAUTION LABEL (M3, M4, M5)
100	NA	CAUTION LABEL (FLAMMABLE GAS) (M3, M4, M5)
101	2561738	LABEL NAME PLATE (INVERTER R32) (M3, M4, M5)

**Expanded Model Nomenclature**

M1 - RXP09AVJU9
M2 - RXP12AVJU9
M3 - RXP15AVJU9
M4 - RXP18AVJU9
M5 - RXP24AVJU9