
[C,F]TXV [2,3,4]MXM 2MXT[H] Multi Zone Units

2MXM18AVJU9
2MXT18AVJU9
2MXTH18AVJU9
3MXM24AVJU9
4MXM36AVJU9
CTXV07AVJU9
FTXV09AVJU9
FTXV12AVJU9
FTXV15AVJU9
FTXV18AVJU9
FTXV24AVJU9

This manual is to be used by qualified technicians only.

Important Information

Index

Functional Parts List	3
Illustration and Parts	4 - 17

Views shown are for parts illustrations only, not servicing procedures.

Text Codes:

AR - As Required

NA - Not Available

NS - Not Shown

00000000 - See Note

QTY - Quantity Example (QTY 3) (If Quantity not shown, Quantity = 1)

M - Model Example (M1) (If M Code not shown, then part is used on all Models)

Expanded Model Nomenclature:

Example M1 - Model#1 M2 - Model#2 M3 - Model#3

Daikin Comfort Technologies Manufacturing , L.P. is not responsible for personal injury or property damage resulting from improper service. Review all service information before beginning repairs.

Warranty service must be performed by an authorized technician, using authorized factory parts. If service is required after the warranty expires, Daikin Comfort Technologies Manufacturing , L.P. also recommends contacting an authorized technician and using authorized factory parts.

Daikin Comfort Technologies Manufacturing , L.P. reserves the right to discontinue, or change at any time, specifications or designs without notice or without incurring obligations.

For assistance within the U.S.A. contact:
Homeowner Support
Daikin Comfort Technologies Manufacturing , L.P.
19001 Kermier Road
Waller, Texas 77484
855-770-5678-Telephone
713-863-2382-Facsimile

For assistance outside the U.S.A. contact:
International Division
Daikin Comfort Technologies Manufacturing , L.P.
19001 Kermier Road
Waller, Texas 77484
713-861-2500-Telephone
713-863-2382-Facsimile

Functional Parts

Part

No: Description:

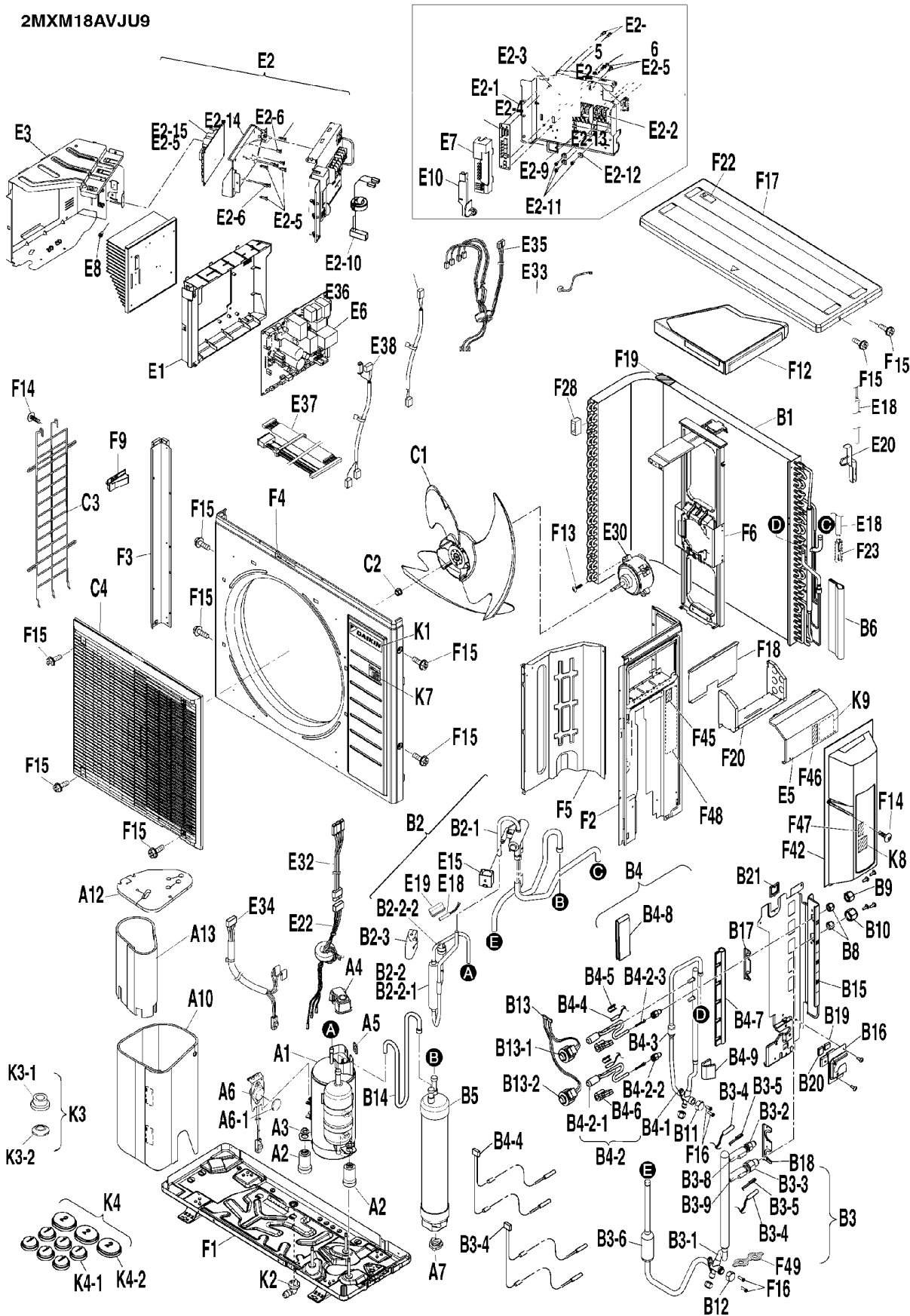
2561305	COMPRESSOR (M10, M11)
2561305	COMPRESSOR (M8, M9)
2558463	COMPRESSOR ASSY. (M7)
2561027	DC FAN MOTOR (M7, M8, M9, M10, M11)
2534983	HIGH PRESSURE SWITCH (M7, M8, M9, M10, M11)
2560606	HUMIDITY SENSOR (M1, M2, M3, M4, M5, M6)
2428510	OVERLOAD PROTECTOR (M7, M8, M9, M10, M11)
2561444	STEPPING MOTOR (M1, M2, M3)
179743J	SWING MOTOR (M4, M5, M6)

Expanded Model Nomenclature

M1 - CTXV07AVJU9
M2 - FTXV09AVJU9
M3 - FTXV12AVJU9
M4 - FTXV15AVJU9
M5 - FTXV18AVJU9
M6 - FTXV24AVJU9
M7 - 2MXM18AVJU9
M8 - 2MXTH18AVJU9
M9 - 2MXT18AVJU9
M10 - 3MXM24AVJU9
M11 - 4MXM36AVJU9

2MXM18AVJU9

2MXM18AVJU9



Picture Key	
Ref #	Picture #
1	A1
2	A2
3	A3
4	A4
5	A5
6	A6
7	A6-1
8	A7
9	A10
10	A12
11	A13
12	B1
13	B2
14	B2-1
15	B2-2
16	B2-2-1
17	B2-2-2
18	B2-3
19	B3
20	B3-1
21	B3-2
22	B3-3
23	B3-4
24	B3-5
25	B3-6
26	B3-8
27	B3-9
28	B4
29	B4-1
30	B4-2
31	B4-2-1
32	B4-2-2
33	B4-2-3
34	B4-3
35	B4-4
36	B4-5
37	B4-6
38	B4-7
39	B4-8
40	B4-9
41	B5
42	B6
43	B8
44	B9
45	B10
46	B11
47	B12
48	B13
49	B13-1
50	B13-2
51	B14
52	B15
53	B16
54	B17
55	B18
56	B19
57	B20
58	B21
59	C1
60	C2
61	C3
62	C4
63	E1
64	E2
65	E2-1
66	E2-2
67	E2-3
68	E2-4
69	E2-5
70	E2-6
71	E2-9
72	E2-10
73	E2-11
74	E2-12
75	E2-13
76	E2-14
77	E2-15
78	E3
79	E5
80	E6
81	E7
82	E8
83	E10
84	E15
85	E18
86	E19
87	E20
88	E22
89	E30
90	E32
91	E33
92	E34
93	E36
94	E37
95	E38
96	E39
97	F1
98	F2
99	F3
100	F4
101	F5
102	F6
103	F9
104	F12
105	F13
106	F14
107	F15
108	F16
109	F17
110	F18
111	F19
112	F20
113	F22
114	F23
115	F28
116	F42
117	F45
118	F46
119	F47
120	F48
121	F49
122	K1
123	K2
124	K3
125	K3-1
126	K3-2
127	K4
128	K4-1
129	K4-2
130	K7
131	K8
132	K9

2MXM18AVJU9

Ref. Part No: No:	Description:	Ref. Part No: No:	Description:
Image 1:		Image 1:	
1	2558463 COMPRESSOR ASSY. (M7)	58	099951J EDGE SADDLE (M7)
2	128989J VIBRATION ABSORBER (M7)	59	2561029 PROPELLER FAN ASSY. (M7)
3	4010410 WASHER (NUT WITH WASHER) (M7)	60	847003J LOCK NUT/ FAN (M7)
4	2425597 TERMINAL COVER (M7)	61	6025762 PROTECTION NET (LEFT SIDE) (M7)
5	040139J RUBBER BUSH/ LEAD WIRE (M7)	62	6024941 DISCHARGE GRILLE ASSY. (M7)
6	2428510 OVERLOAD PROTECTOR (M7)	63	2561005 EL. COMPO. BOX (M7)
7	2428527 RADIATION SHEET (M7)	64	NA TERMINAL STRIP MOUNTING PLATE (M7)
8	380116J CUSHION RUBBER/ ACCUMULATOR (M7)	65	2561008 MOUNTING PLATE (TERMINAL STRIP) (M7)
9	2561043 SOUND INSULATION (OUTER SLEEVE) (M7)	66	2561009 TERMINAL STRIP (M7)
10	2561041 SOUND INSULATION (OUTER TOP) (M7)	67	2371498 TERMINAL BLOCK (M7)
11	2561042 SOUND INSULATION (INNER SLEEVE) (M7)	68	6025165 PRINTED CIRCUIT BOARD ASSY. (SERVICE) (M7)
12	2560995 HEAT EXCHANGER ASSY. (M7)	69	1728464 SPACER (PCB) (M7)
13	NA FOUR WAY VALVE ASSY. (M7)	70	2115472 SPACER (PCB) (M7)
14	2455992 BODY/ FOUR WAY VALVE (M7)	71	2561011 INDICATION LABEL (TERMINAL) (M7)
15	NA DISCHARGE PIPE ASSY. (M7)	72	2561010 WIRE HARNESS ASSY. (COMMUNICATION) (M7)
16	161839J MUFFLER (M7)	73	113783J TAPPING SCREW (M7)
17	2534983 HIGH PRESSURE SWITCH (M7)	74	1786749 WASHER (FOR EARTH) (M7)
18	2560996 PUTTY (HEAT RESISTANT) (M7)	75	099951J EDGE SADDLE (M7)
19	NA HEADER ASSY. (GAS) (M7)	76	2561012 MOUNTING PLATE (MULTI MODULE PCB) (M7)
20	2561003 GAS STOP VALVE ASSY. (M7)	77	2561304 PRINTED CIRCUIT BOARD ASSY. (M7)
21	257587J UNION JOINT (M7)	78	2561006 EL. COMPO. MOUNTING PLATE ASSY. (M7)
22	252012J UNION JOINT (M7)	79	2561035 TERMINAL STRIP COVER ASSY. (M7)
23	2561004 THERMISTOR ASSY. (GAS) (M7)	80	2561303 PRINTED CIRCUIT BOARD ASSY. (M7)
24	380120J FITTING SPRING/ THERMISTOR (M7)	81	2561014 COVER ASSY. (SERVICE PCB) (M7)
25	4006136 MUFFLER (M7)	82	113783J TAPPING SCREW (M7)
26	6025189 MUFFLER (M7)	83	2561015 SWITCH COVER ASSY. (M7)
27	6025190 MUFFLER (M7)	84	2532798 FOUR WAY VALVE COIL ASSY. (M7)
28	NA HEADER ASSY. (LIQUID) (M7)	85	2561016 THERMISTOR ASSY. (M7)
29	2561000 LIQUID STOP VALVE ASSY. (M7)	86	1728781 THERMISTOR FIXTURE (M7)
30	2561001 ELECTRONIC EXP. VALVE ASSY. (M7)	87	128511J FIXTURE/ THERMISTOR (M7)
31	2533579 BODY/ ELECTRONIC EXP. VALVE (M7)	88	2561028 WIRE HARNESS ASSY. (FOR COMP.) (M7)
32	060321J UNION JOINT (M7)	89	2561027 DC FAN MOTOR (M7)
33	131823J STRAINER (FOR REF.) (M7)	90	2561017 WIRE HARNESS ASSY. (COMP. RELAY) (M7)
34	2255457 MUFFLER (M7)	91	2561018 WIRE HARNESS ASSY. (FUNCTIONAL EARTH) (M7)
35	2561002 THERMISTOR ASSY. (LIQ) (M7)		
36	1303896 FIXTURE/ THERMISTOR (M7)	92	2561019 WIRE HARNESS ASSY. (FOR OL/HPS) (M7)
37	2533582 PUTTY (M7)	93	2561020 WIRE HARNESS ASSY. (L/N)(TRANSIT) (M7)
38	6025158 PUTTY (M7)	94	2561021 WIRE HARNESS ASSY. (ACS) (M7)
39	6025159 PUTTY (M7)	95	2561022 WIRE HARNESS ASSY. (SERVICE PCB) (M7)
40	139706J PUTTY (M7)	96	2561023 WIRE HARNESS ASSY. (FUNCTIONAL MODULE) (M7)
41	2560997 GAS LIQUID SEPARATOR ASSY. (M7)		
42	2255729 PUTTY (M7)	97	2561033 BOTTOM FRAME ASSY. (M7)
43	1723546 FLARE NUT (M7)	98	2561030 RIGHT SIDE PLATE (M7)
44	119848J FLARE NUT (M7)	99	2561039 LEFT SIDE PLATE (M7)
45	119849J FLARE NUT (M7)	100	2561040 FRONT PLATE (M7)
46	2158703 VALVE CAP (M7)	101	2561031 PARTITION PLATE (M7)
47	2159232 VALVE CAP (M7)	102	2561032 FAN MOTOR STAND ASSY. (M7)
48	NA COIL/ ELECTRONIC EXP. VALVE ASSY. (M7)	103	6022835 HANDLE (M7)
49	2561025 COIL/ ELECTRONIC EXP. VALVE (M7)	104	2561034 POLYETHYLENE FOAM ASSY. (M7)
50	2561026 COIL/ ELECTRONIC EXP. VALVE (M7)	105	2120405 HEX. TAPPING SCREW (3) (M7)
51	NA SUCTION PIPE (M7)	106	008203J TRUSS HEAD TAPPING SCREW (M7)
52	2560998 STOP VALVE MOUNTING PLATE (1) 2R (M7)	107	109224J HEX HEAD TAPPING SCREW (M7)
53	2560999 STOP VALVE MOUNTING PLATE (2) (M7)	108	048017J PAN HEAD TAPPING SCREW (M7)
54	2255541 SINGLE UNION FIXTURE (LIQUID) (M7)	109	2561038 TOP PLATE (M7)
55	2255589 SINGLE UNION FIXTURE (GAS) (M7)	110	2561037 DRIP PROOF PLATE ASSY. (TERMINAL) (M7)
56	2255642 SEALING MATERIAL (M7)	111	6026829 SEALING MATERIAL (HEAT EXCH. TOP) (M7)
57	2255628 SEALING MATERIAL (M7)		

2MXM18AVJU9

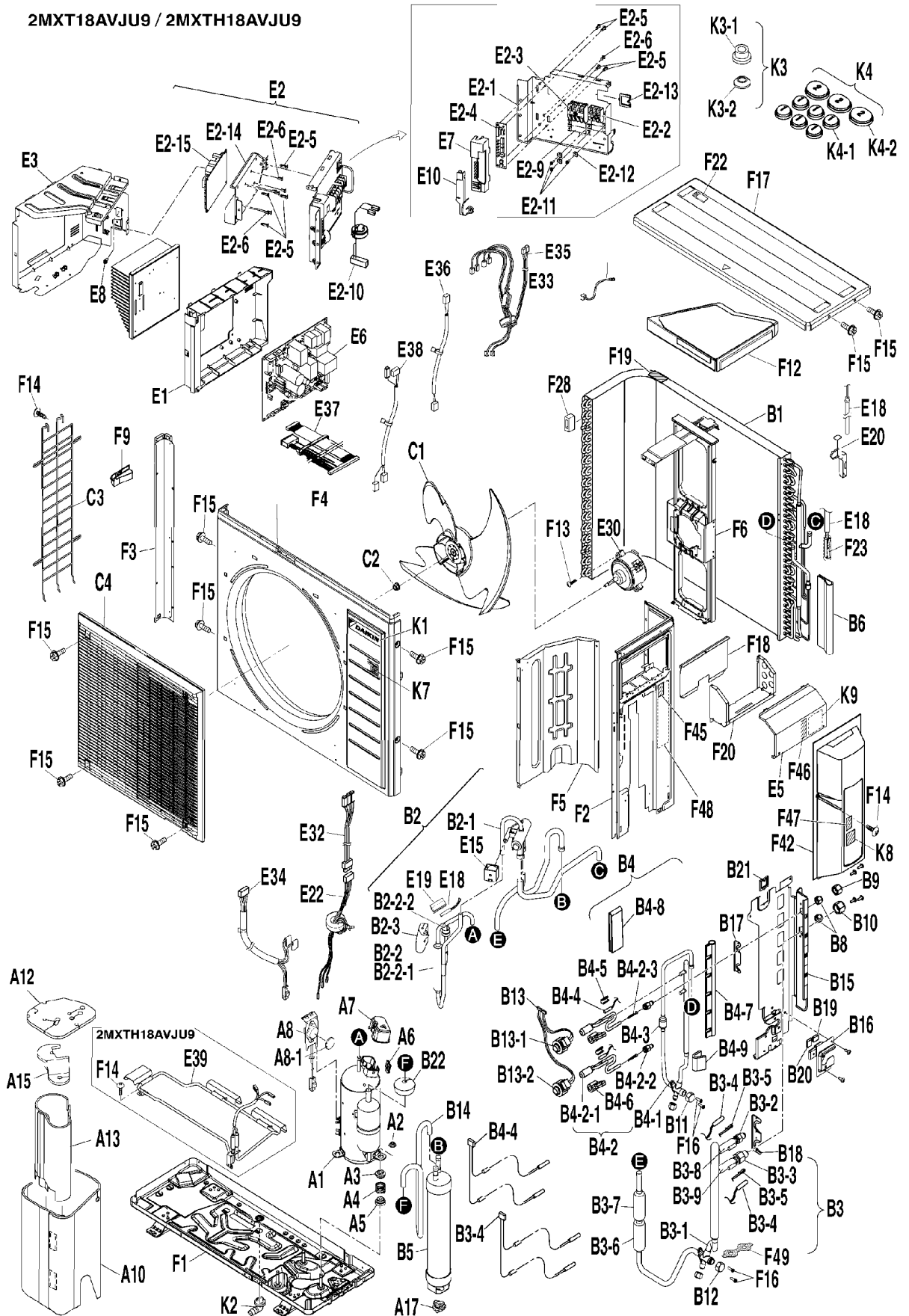
Ref. Part No:	No:	Description:	Ref. Part No:	No:	Description:
Image 1:					
112	2561036	CONDUIT MOUNTING PLATE ASSY. (M7)			
113	2561045	CAUTION LABEL (SUPERCARGO) (M7)			
114	380120J	FITTING SPRING/ THERMISTOR (M7)			
115	1708756	SEALING MATERIAL (M7)			
116	6024004	COVER/ STOP VALVE (M7)			
117	NA	CAUTION LABEL (BURN) (M7)			
118	NA	CAUTION LABEL (ELECTRIC SHOCK) (M7)			
119	NA	PRODUCT LIABILITY CAUTION LABEL (M7)			
120	NA	CAUTION LABEL (FLAMMABLE GAS) (M7)			
121	2561861	SIDE CAP (MULTI SERVICE PORT) (M7)			
122	2561044	BRAND NAME LABEL (M7)			
123	2561222	JOINT (DRAIN) (M7)			
124	NA	REDUCING JOINT ASSY. (M7)			
125	257712J	GASKET/ REDUCING JOINT (M7)			
126	257709J	GASKET/ REDUCING JOINT (M7)			
127	NA	ACCESSORY SET (M7)			
128	2253709	CAP 1 (DRAIN) (M7)			
129	2253716	CAP 2 (DRAIN) (M7)			
130	2561738	LABEL NAME PLATE (INVERTER R32) (M7)			
131	2561739	ADDITIONAL REFR. CHARGE LABEL (M7)			
132	NA	HANDLING LABEL (1) (M7)			

Expanded Model Nomenclature

M1 - CTXV07AVJU9
M2 - FTXV09AVJU9
M3 - FTXV12AVJU9
M4 - FTXV15AVJU9
M5 - FTXV18AVJU9
M6 - FTXV24AVJU9
M7 - 2MXM18AVJU9
M8 - 2MXTH18AVJU9
M9 - 2MXT18AVJU9
M10 - 3MXM24AVJU9
M11 - 4MXM36AVJU9

2MXT[H]18AVJU9

2MXT18AVJU9 / 2MXTH18AVJU9



Ref #	Picture #
1	A1
2	A10
3	A13
4	A15
5	A17
6	A2
7	A3
8	A4
9	A5
10	A6
11	A7
12	A8
13	A8-1
14	B1
15	B10
16	B11
17	B12
18	B13
19	B13-1
20	B13-2
21	B14
22	B15
23	B16
24	B17
25	B18
26	B19
27	B2
28	B20
29	B21
30	B2-1
31	B22
32	B2-2
33	B2-2-1
34	B2-2-2
35	B2-3
36	B3
37	B3-1
38	B3-2
39	B3-3
40	B3-4
41	B3-5
42	B3-6
43	B3-7
44	B3-8
45	B3-9
46	B4
47	B4-1
48	B4-2
49	B4-2-1
50	B4-2-2
51	B4-2-3
52	B4-3
53	B4-4
54	B4-5
55	B4-6
56	B4-7
57	B4-8
58	B4-9
59	B5
60	B6
61	B6
62	B9
63	C1
64	C2
65	C3
66	C4
67	E1
68	E10
69	E15
70	E18
71	E19
72	E2
73	E20
74	E2-1
75	E2-10
76	E2-11
77	E2-12
78	E2-13
79	E2-14
80	E2-15
81	E22
82	E2-2
83	E2-3
84	E2-4
85	E2-5
86	E2-6
87	E2-9
88	E3
89	E30
90	E32
91	E33
92	E34
93	E35
94	E36
95	E37
96	E38
97	E39
98	E5
99	E6
100	E7
101	E8
102	F1
103	F12
104	F13
105	F14
106	F15
107	F16
108	F17
109	F18
110	F19
111	F2
112	F20
113	F22
114	F23
115	F28
116	F3
117	F4
118	F42
119	F46
120	F47
121	F49
122	F48
123	F49
124	F5
125	F6
126	F9
127	K1
128	K2
129	K3
130	K3-1
131	K3-2
132	K4
133	K4-1
134	K4-2
135	K7
136	K8
137	K9

2MXT[H]18AVJU9

Ref. Part No: No:	Description:	Ref. Part No: No:	Description:
Image 1:		Image 1:	
1	2561305 COMPRESSOR (M8, M9)	58	139706J PUTTY (M8, M9)
2	2561043 SOUND INSULATION (OUTER SLEEVE) (M8, M9)	59	2560997 GAS LIQUID SEPARATOR ASSY. (M8, M9)
3	2561316 SOUND INSULATION (INNER SLEEVE) (M8, M9)	60	2255729 PUTTY (M8, M9)
4	6025183 SOUND INSULATION (INNER TOP) (M8, M9)	61	1723546 FLARE NUT (M8, M9)
5	380116J CUSHION RUBBER/ ACCUMULATOR (M8, M9)	62	119848J FLARE NUT (M8, M9)
6	4010410 WASHER (NUT WITH WASHER) (M8, M9)	63	2561029 PROPELLER FAN ASSY. (M8, M9)
7	096039J SPRING HOLDER (1) (M8, M9)	64	847003J LOCK NUT/ FAN (M8, M9)
8	390208J MOUNTING SPRING (M8, M9)	65	6025762 PROTECTION NET (LEFT SIDE) (M8, M9)
9	4016565 SPRING HOLDER (2) (M8, M9)	66	6024941 DISCHARGE GRILLE ASSY. (M8, M9)
10	040139J RUBBER BUSH/ LEAD WIRE (M8, M9)	67	2561005 EL. COMPO. BOX (M8)
11	2425597 TERMINAL COVER (M8, M9)	67	2561327 EL. COMPO. BOX (HEATER STANDARD) (M9)
12	2428510 OVERLOAD PROTECTOR (M8, M9)	68	2561015 SWITCH COVER ASSY. (M8, M9)
13	2428527 RADIATION SHEET (M8, M9)	69	2532798 FOUR WAY VALVE COIL ASSY. (M8, M9)
14	2560995 HEAT EXCHANGER ASSY. (M8, M9)	70	2561016 THERMISTOR ASSY. (M8, M9)
15	119849J FLARE NUT (M8, M9)	71	6005471 FIXTURE/ THERMISTOR (M8, M9)
16	2158703 VALVE CAP (M8, M9)	72	NA TERMINAL STRIP MOUNTING PLATE (M8, M9)
17	2159232 VALVE CAP (M8, M9)	73	128511J FIXTURE/ THERMISTOR (M8, M9)
18	NA COIL/ ELECTRONIC EXP. VALVE ASSY. (M8, M9)	74	2561008 MOUNTING PLATE (TERMINAL STRIP) (M8, M9)
19	2561025 COIL/ ELECTRONIC EXP. VALVE (M8, M9)	75	2561010 WIRE HARNESS ASSY. (COMMUNICATION) (M8, M9)
20	2561026 COIL/ ELECTRONIC EXP. VALVE (M8, M9)		
21	NA SUCTION PIPE (M8, M9)	76	113783J TAPPING SCREW (M8, M9)
22	2560998 STOP VALVE MOUNTING PLATE (1) 2R (M8, M9)	77	1786749 WASHER (FOR EARTH) (M8, M9)
23	2560999 STOP VALVE MOUNTING PLATE (2) (M8, M9)	78	099951J EDGE SADDLE (M8, M9)
24	2255541 SINGLE UNION FIXTURE (LIQUID) (M8, M9)	79	2561012 MOUNTING PLATE (MULTI MODULE PCB) (M8, M9)
25	2255589 SINGLE UNION FIXTURE (GAS) (M8, M9)	80	2561325 PRINTED CIRCUIT BOARD ASSY. (M8)
26	2255642 SEALING MATERIAL (M8, M9)	80	2561328 PRINTED CIRCUIT BOARD ASSY. (M9)
27	NA FOUR WAY VALVE ASSY. (M8, M9)	81	2561028 WIRE HARNESS ASSY. (FOR COMP.) (M8, M9)
28	2255628 SEALING MATERIAL (M8, M9)	82	2561009 TERMINAL STRIP (M8, M9)
29	099951J EDGE SADDLE (M8, M9)	83	2371498 TERMINAL BLOCK (M8, M9)
30	2455992 BODY/ FOUR WAY VALVE (M8, M9)	84	6025165 PRINTED CIRCUIT BOARD ASSY. (SERVICE) (M8, M9)
31	112853J VIBRATION ISOLATOR PUTTY (M8, M9)		
32	NA DISCHARGE PIPE ASSY. (M8, M9)	85	1728464 SPACER (PCB) (M8, M9)
33	161839J MUFFLER (M8, M9)	86	2115472 SPACER (PCB) (M8, M9)
34	2534983 HIGH PRESSURE SWITCH (M8, M9)	87	2561011 INDICATION LABEL (TERMINAL) (M8, M9)
35	2560996 PUTTY (HEAT RESISTANT) (M8, M9)	88	2561006 EL. COMPO. MOUNTING PLATE ASSY. (M8, M9)
36	NA HEADER ASSY. (GAS) (M8, M9)	89	2561027 DC FAN MOTOR (M8, M9)
37	2561003 GAS STOP VALVE ASSY. (M8, M9)	90	2561017 WIRE HARNESS ASSY. (COMP. RELAY) (M8, M9)
38	257587J UNION JOINT (M8, M9)	91	2561018 WIRE HARNESS ASSY. (FUNCTIONAL EARTH) (M8, M9)
39	252012J UNION JOINT (M8, M9)		
40	2561004 THERMISTOR ASSY. (GAS) (M8, M9)	92	2561019 WIRE HARNESS ASSY. (FOR OL/HPS) (M8, M9)
41	380120J FITTING SPRING/ THERMISTOR (M8, M9)	93	2561020 WIRE HARNESS ASSY. (L/N)(TRANSIT) (M8, M9)
42	4006136 MUFFLER (M8, M9)	94	2561021 WIRE HARNESS ASSY. (ACS) (M8, M9)
43	6025154 MUFFLER (M8, M9)	95	2561022 WIRE HARNESS ASSY. (SERVICE PCB) (M8, M9)
44	6025189 MUFFLER (M8, M9)	96	2561023 WIRE HARNESS ASSY. (FUNCTIONAL MODULE) (M8, M9)
45	6025190 MUFFLER (M8, M9)		
46	NA HEADER ASSY. (LIQUID) (M8, M9)	97	2561458 DRAIN PAN HEATER ASSY. (M9)
47	2561000 LIQUID STOP VALVE ASSY. (M8, M9)	98	2561035 TERMINAL STRIP COVER ASSY. (M8, M9)
48	2561001 ELECTRONIC EXP. VALVE ASSY. (M8, M9)	99	2561320 PRINTED CIRCUIT BOARD ASSY. (M8, M9)
49	2533579 BODY/ ELECTRONIC EXP. VALVE (M8, M9)	100	2561014 COVER ASSY. (SERVICE PCB) (M8, M9)
50	060321J UNION JOINT (M8, M9)	101	113783J TAPPING SCREW (M8, M9)
51	131823J STRAINER (FOR REF.) (M8, M9)	102	2561315 BOTTOM FRAME ASSY. (M8, M9)
52	2255457 MUFFLER (M8, M9)	103	2561034 POLYETHYLENE FOAM ASSY. (M8, M9)
53	2561002 THERMISTOR ASSY. (LIQ) (M8, M9)	104	2120405 HEX TAPPING SCREW (3) (M8, M9)
54	1303896 FIXTURE/ THERMISTOR (M8, M9)	105	008203J TRUSS HEAD TAPPING SCREW (M8, M9)
55	2533582 PUTTY (M8, M9)	106	109224J HEX HEAD TAPPING SCREW (M8, M9)
56	6025158 PUTTY (M8, M9)	107	048017J PAN HEAD TAPPING SCREW (M8, M9)
57	6025159 PUTTY (M8, M9)		

2MXT[H]18AVJU9

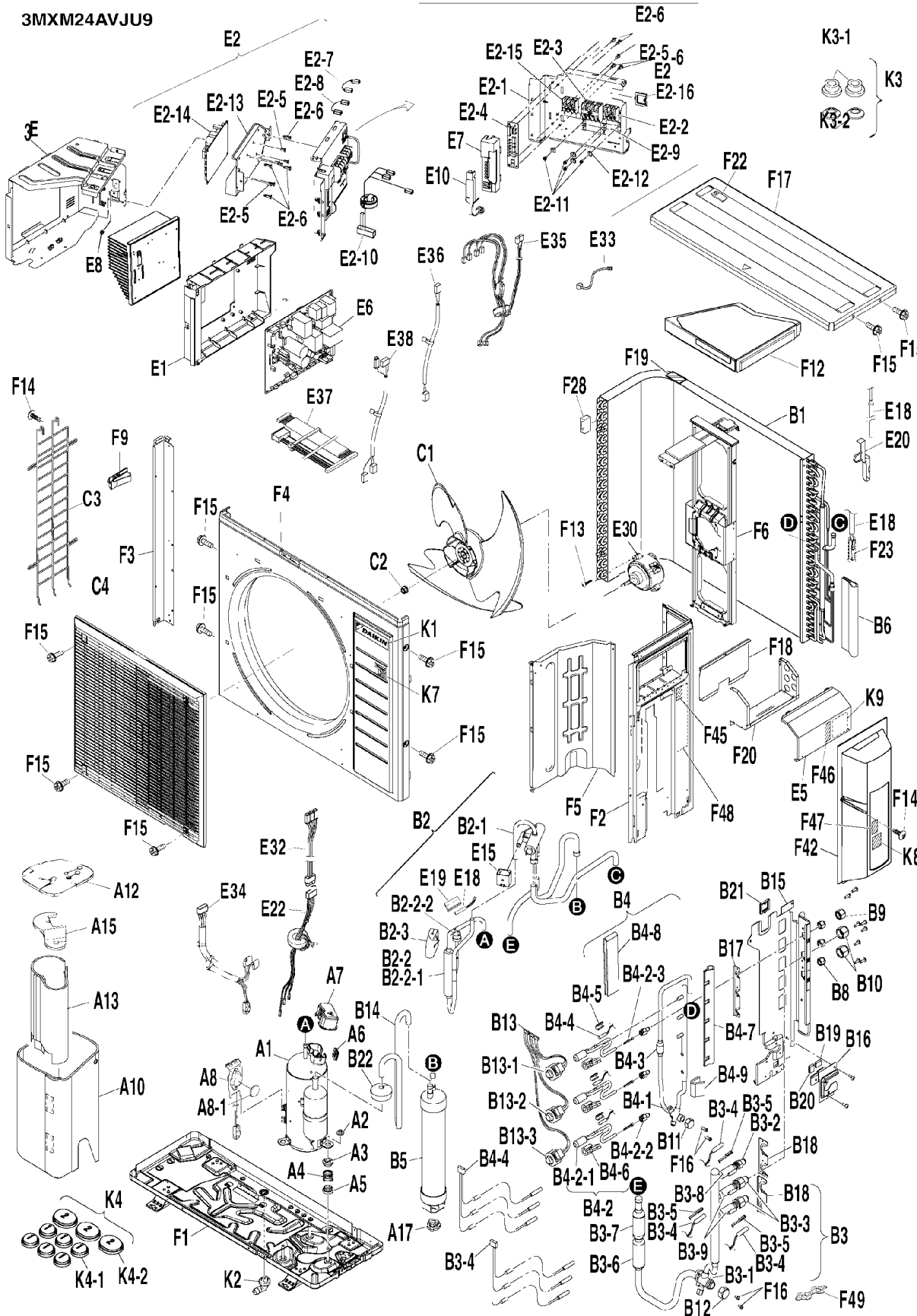
Ref. Part No:	No:	Description:	Ref. Part No:	No:	Description:
Image 1:					
108	2561038	TOP PLATE (M8, M9)			
109	2561037	DRIP PROOF PLATE ASSY. (TERMINAL) (M8, M9)			
110	6026829	SEALING MATERIAL (HEAT EXCH. TOP) (M8, M9)			
111	2561030	RIGHT SIDE PLATE (M8, M9)			
112	2561036	CONDUIT MOUNTING PLATE ASSY. (M8, M9)			
113	2561045	CAUTION LABEL (SUPERCARGO) (M8, M9)			
114	380120J	FITTING SPRING/ THERMISTOR (M8, M9)			
115	1708756	SEALING MATERIAL (M8, M9)			
116	2561039	LEFT SIDE PLATE (M8, M9)			
117	2561040	FRONT PLATE (M8, M9)			
118	6024004	COVER/ STOP VALVE (M8, M9)			
119	NA	CAUTION LABEL (BURN) (M8, M9)			
120	NA	CAUTION LABEL (ELECTRIC SHOCK) (M8, M9)			
121	NA	PRODUCT LIABILITY CAUTION LABEL (M8, M9)			
122	NA	CAUTION LABEL (FLAMMABLE GAS) (M8, M9)			
123	2561861	SIDE CAP(MULTI SERVICE PORT)(S (M8, M9)			
124	2561031	PARTITION PLATE (M8, M9)			
125	2561032	FAN MOTOR STAND ASSY. (M8, M9)			
126	6022835	HANDLE (M8, M9)			
127	2561326	BRAND NAME LABEL (M8, M9)			
128	2561222	JOINT (DRAIN) (M8, M9)			
129	NA	REDUCING JOINT ASSY. (M8, M9)			
130	257712J	GASKET/ REDUCING JOINT (M8, M9)			
131	257709J	GASKET/ REDUCING JOINT (M8, M9)			
132	NA	ACCESSORY SET (M8, M9)			
133	2253709	CAP 1 (DRAIN) (M8, M9)			
134	2253716	CAP 2 (DRAIN) (M8, M9)			
135	2561738	LABEL NAME PLATE (INVERTER R32) (M8, M9)			
136	2561739	ADDITIONAL REFR. CHARGE LABEL (M8, M9)			
137	NA	HANDLING LABEL (1) (M8, M9)			

Expanded Model Nomenclature

- | |
|-------------------|
| M1 - CTXV07AVJU9 |
| M2 - FTXV09AVJU9 |
| M3 - FTXV12AVJU9 |
| M4 - FTXV15AVJU9 |
| M5 - FTXV18AVJU9 |
| M6 - FTXV24AVJU9 |
| M7 - 2MXM18AVJU9 |
| M8 - 2MXTH18AVJU9 |
| M9 - 2MXT18AVJU9 |
| M10 - 3MXM24AVJU9 |
| M11 - 4MXM36AVJU9 |

3MXM24AVJU9

3MXM24AVJU9



Ref #	Picture #
1	A1
2	A2
3	A3
4	A4
5	A5
6	A6
7	A7
8	A8
9	A8-1
10	A10
11	A12
12	A13
13	A15
14	A17
15	B1
16	B2
17	B2-1
18	B2-2
19	B2-2-1
20	B2-2-2
21	B2-3
22	B3
23	B3-1
24	B3-2
25	B3-3
26	B3-4
27	B3-5
28	B3-6
29	B3-7
30	B3-8
31	B3-9
32	B4
33	B4-1
34	B4-2
35	B4-2-1
36	B4-2-2
37	B4-2-3
38	B4-3
39	B4-4
40	B4-5
41	B4-6
42	B4-7
43	B4-8
44	B4-9
45	B5
46	B6
47	B6
48	B6
49	B10
50	B11
51	B12
52	D13
53	D13-1
54	B13-2
55	B13-3
56	D14
57	B15
58	B16
59	B17
60	B18
61	B19
62	B20
63	B21
64	B22
65	C1
66	C2
67	C3
68	C4
69	E1
70	E2
71	E2-1
72	E2-2
73	E2-3
74	E2-4
75	E2-5
76	E2-6
77	E2-7
78	E2-8
79	E2-9
80	E2-10
81	E2-11
82	E2-12
83	E2-13
84	E2-14
85	E2-15
86	E2-16
87	E3
88	E5
89	B6
90	E7
91	E8
92	E10
93	E15
94	E18
95	E19
96	E20
97	E22
98	E30
99	E32
100	E33
101	E34
102	E35
103	E36
104	E37
105	E38
106	F1
107	F2
108	F3
109	F4
110	F6
111	F6
112	F9
113	F12
114	F13
115	F14
116	F15
117	F16
118	F17
119	F18
120	F19
121	F20
122	F22
123	F23
124	F28
125	F42
126	F45
127	F46
128	F47
129	F48
130	F49
131	K1
132	K2
133	K3
134	K3-1
135	K3-2
136	K4
137	K4-1
138	K4-2
139	K7
140	K8
141	K9

3MXM24AVJU9

Ref. Part No:	Ref. Part No:	Description:	Description:
Image 1:		Image 1:	
1	2561305	COMPRESSOR (M10)	58 2560999 STOP VALVE MOUNTING PLATE (2) (M10)
2	4010410	WASHER (NUT WITH WASHER) (M10)	59 2255565 SINGLE UNION FIXTURE (LIQUID) (M10)
3	096039J	SPRING HOLDER (1) (M10)	60 2255589 SINGLE UNION FIXTURE (GAS) (M10)
4	390208J	MOUNTING SPRING (M10)	61 2255642 SEALING MATERIAL (M10)
5	4016565	SPRING HOLDER (2) (M10)	62 2255628 SEALING MATERIAL (M10)
6	040139J	RUBBER BUSH/ LEAD WIRE (M10)	63 099951J EDGE SADDLE (M10)
7	2425597	TERMINAL COVER (M10)	64 112853J VIBRATION ISOLATOR PUTTY (M10)
8	2428510	OVERLOAD PROTECTOR (M10)	65 2561029 PROPELLER FAN ASSY. (M10)
9	2428527	RADIATION SHEET (M10)	66 847003J LOCK NUT/ FAN (M10)
10	2561043	SOUND INSULATION (OUTER SLEEVE) (M10)	67 6025762 PROTECTION NET (LEFT SIDE) (M10)
11	2561041	SOUND INSULATION (OUTER TOP) (M10)	68 6024941 DISCHARGE GRILLE ASSY. (M10)
12	2561316	SOUND INSULATION (INNER SLEEVE) (M10)	69 2561005 EL. COMPO. BOX (M10)
13	6025183	SOUND INSULATION (INNER TOP) (M10)	70 NA TERMINAL STRIP MOUNTING PLATE (M10)
14	380116J	CUSHION RUBBER/ ACCUMULATOR (M10)	71 2561008 MOUNTING PLATE (TERMINAL STRIP) (M10)
15	2560995	HEAT EXCHANGER ASSY. (M10)	72 2561009 TERMINAL STRIP (M10)
16	NA	FOUR WAY VALVE ASSY. (M10)	73 2371498 TERMINAL BLOCK (M10)
17	2455992	BODY/ FOUR WAY VALVE (M10)	74 6025165 PRINTED CIRCUIT BOARD ASSY. (SERVICE) (M10)
18	NA	DISCHARGE PIPE ASSY. (M10)	
19	161839J	MUFFLER (M10)	75 2115472 SPACER (PCB) (M10)
20	2534983	HIGH PRESSURE SWITCH (M10)	76 1728464 SPACER (PCB) (M10)
21	2560996	PUTTY (HEAT RESISTANT) (M10)	77 2561310 WIRE HARNESS (TERMINAL STRIP) (M10)
22	NA	HEADER ASSY. (GAS) (M10)	78 2561311 WIRE HARNESS (TERMINAL STRIP) (M10)
23	2561003	GAS STOP VALVE ASSY. (M10)	79 2561422 INDICATION LABEL (TERMINAL) (M10)
24	257587J	UNION JOINT (M10)	80 2561312 WIRE HARNESS ASSY. (COMMUNICATION) (M10)
25	252012J	UNION JOINT (M10)	81 113783J TAPPING SCREW (M10)
26	2561309	THERMISTOR ASSY. (GAS) (M10)	82 1786749 WASHER (FOR EARTH) (M10)
27	380120J	FITTING SPRING/ THERMISTOR (M10)	83 2561012 MOUNTING PLATE (MULTI MODULE PCB) (M10)
28	4006136	MUFFLER (M10)	84 2561313 PRINTED CIRCUIT BOARD ASSY. (M10)
29	6025154	MUFFLER (M10)	85 5015337 TERMINAL STRIP (M10)
30	6025189	MUFFLER (M10)	86 099951J EDGE SADDLE (M10)
31	6025190	MUFFLER (M10)	87 2561006 EL. COMPO. MOUNTING PLATE ASSY. (M10)
32	NA	HEADER ASSY. (LIQUID) (M10)	88 2561035 TERMINAL STRIP COVER ASSY. (M10)
33	2561000	LIQUID STOP VALVE ASSY. (M10)	89 2561320 PRINTED CIRCUIT BOARD ASSY. (M10)
34	2561001	ELECTRONIC EXP. VALVE ASSY. (M10)	90 2561014 COVER ASSY. (SERVICE PCB) (M10)
35	2533579	BODY/ ELECTRONIC EXP. VALVE (M10)	91 113783J TAPPING SCREW (M10)
36	060321J	UNION JOINT (M10)	92 2561015 SWITCH COVER ASSY. (M10)
37	131823J	STRAINER (FOR REF.) (M10)	93 2532798 FOUR WAY VALVE COIL ASSY. (M10)
38	2255457	MUFFLER (M10)	94 2561016 THERMISTOR ASSY. (M10)
39	2561308	THERMISTOR ASSY. (LIQ) (M10)	95 6005471 FIXTURE/ THERMISTOR (M10)
40	1303896	FIXTURE/ THERMISTOR (M10)	96 128511J FIXTURE/ THERMISTOR (M10)
41	2533582	PUTTY (M10)	97 2561028 WIRE HARNESS ASSY. (FOR COMP.) (M10)
42	6025158	PUTTY (M10)	98 2561027 DC FAN MOTOR (M10)
43	6025192	PUTTY (M10)	99 2561017 WIRE HARNESS ASSY. (COMP. RELAY) (M10)
44	139706J	PUTTY (M10)	100 2561018 WIRE HARNESS ASSY. (FUNCTIONAL EARTH) (M10)
45	2560997	GAS LIQUID SEPARATOR ASSY. (M10)	
46	2255729	PUTTY (M10)	101 2561019 WIRE HARNESS ASSY. (FOR OL/HPS) (M10)
47	1723546	FLARE NUT (M10)	102 2561020 WIRE HARNESS ASSY. (L/N)(TRANSIT) (M10)
48	119848J	FLARE NUT (M10)	103 2561021 WIRE HARNESS ASSY. (ACS) (M10)
49	119849J	FLARE NUT (M10)	104 2561022 WIRE HARNESS ASSY. (SERVICE PCB) (M10)
50	2158703	VALVE CAP (M10)	105 2561023 WIRE HARNESS ASSY. (FUNCTIONAL MODULE) (M10)
51	2159232	VALVE CAP (M10)	
52	NA	COIL/ ELECTRONIC EXP. VALVE ASSY. (M10)	106 2561315 BOTTOM FRAME ASSY. (M10)
53	2561025	COIL/ ELECTRONIC EXP. VALVE (M10)	107 2561030 RIGHT SIDE PLATE (M10)
54	2561026	COIL/ ELECTRONIC EXP. VALVE (M10)	108 2561039 LEFT SIDE PLATE (M10)
55	2561314	COIL/ ELECTRONIC EXP. VALVE (M10)	109 2561040 FRONT PLATE (M10)
56	NA	SUCTION PIPE (M10)	110 2561031 PARTITION PLATE (M10)
57	2561306	STOP VALVE MOUNTING PLATE (1) 3R (M10)	

3MXM24AVJU9

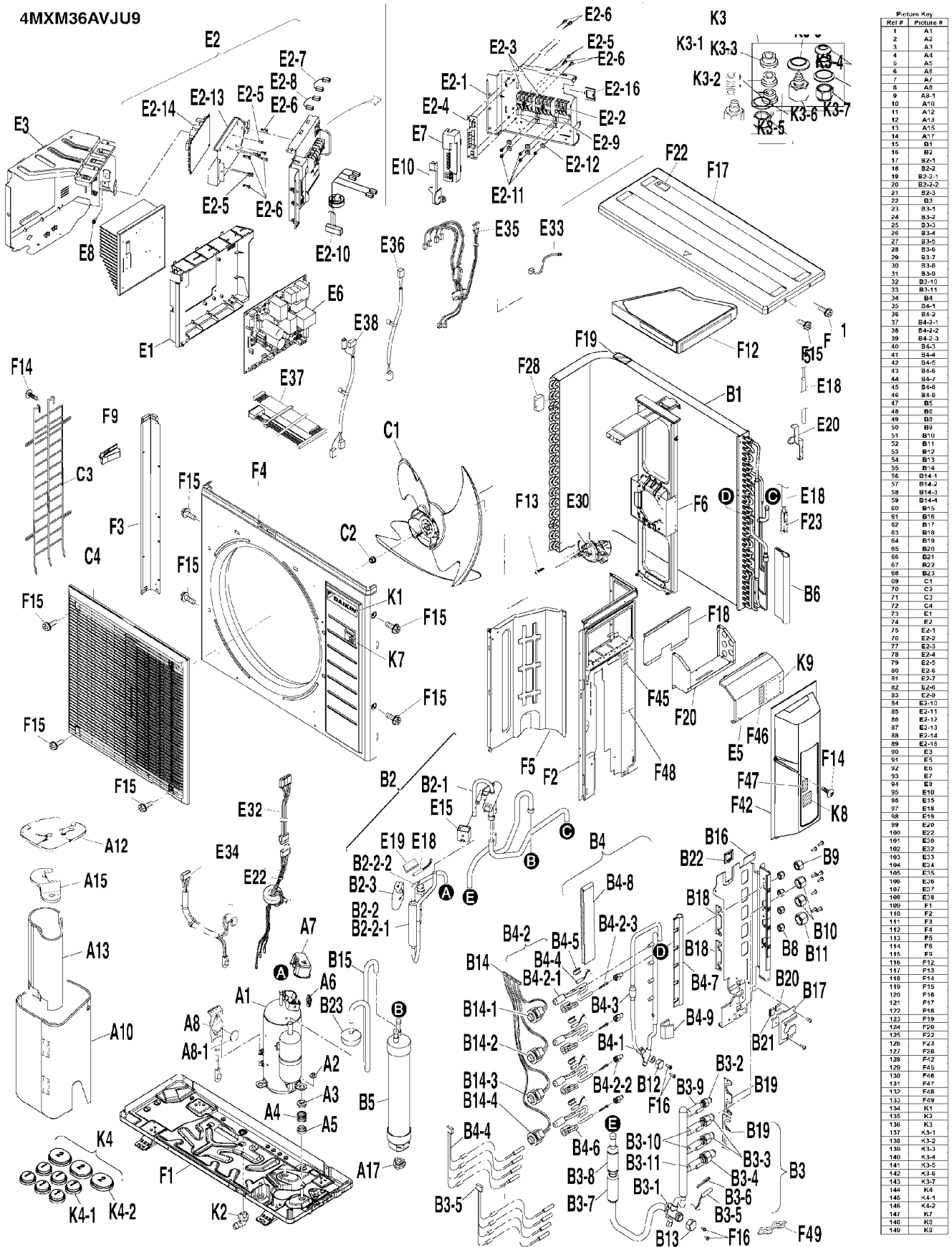
Ref. Part No:	Ref. Part No:	Description:	Description:
Image 1:			
111	2561032	FAN MOTOR STAND ASSY. (M10)	
112	6022835	HANDLE (M10)	
113	2561034	POLYETHYLENE FOAM ASSY. (M10)	
114	2120405	HEX TAPPING SCREW (3) (M10)	
115	008203J	TRUSS HEAD TAPPING SCREW (M10)	
116	109224J	HEX HEAD TAPPING SCREW (M10)	
117	048017J	PAN HEAD TAPPING SCREW (M10)	
118	2561038	TOP PLATE (M10)	
119	2561037	DRIP PROOF PLATE ASSY. (TERMINAL) (M10)	
120	6026829	SEALING MATERIAL (HEAT EXCH. TOP) (M10)	
121	2561036	CONDUIT MOUNTING PLATE ASSY. (M10)	
122	2561045	CAUTION LABEL (SUPERCARGO) (M10)	
123	380120J	FITTING SPRING/ THERMISTOR (M10)	
124	1708756	SEALING MATERIAL (M10)	
125	6024004	COVER/ STOP VALVE (M10)	
126	NA	CAUTION LABEL (BURN) (M10)	
127	NA	CAUTION LABEL (ELECTRIC SHOCK) (M10)	
128	NA	PRODUCT LIABILITY CAUTION LABEL (M10)	
129	NA	CAUTION LABEL (FLAMMABLE GAS) (M10)	
130	2561861	SIDE CAP(MULTI SERVICE PORT) (M10)	
131	2561044	BRAND NAME LABEL (M10)	
132	2561222	JOINT (DRAIN) (M10)	
133	NA	REDUCER ASSY. (M10)	
134	257712J	GASKET/ REDUCING JOINT (M10)	
135	257709J	GASKET/ REDUCING JOINT (M10)	
136	NA	ACCESSORY SET (M10)	
137	2253709	CAP 1 (DRAIN) (M10)	
138	2253716	CAP 2 (DRAIN) (M10)	
139	2561738	LABEL NAME PLATE (INVERTER R32) (M10)	
140	2561739	ADDITIONAL REFR. CHARGE LABEL (M10)	
141	NA	HANDLING LABEL (1) (M10)	

Expanded Model Nomenclature

M1 - CTXV07AVJU9
M2 - FTXV09AVJU9
M3 - FTXV12AVJU9
M4 - FTXV15AVJU9
M5 - FTXV18AVJU9
M6 - FTXV24AVJU9
M7 - 2MXM18AVJU9
M8 - 2MXTH18AVJU9
M9 - 2MXT18AVJU9
M10 - 3MXM24AVJU9
M11 - 4MXM36AVJU9

4MXM36AVJU9

4MXM36AVJU9



Picture Key		
Ref #	Picture #	
1	A1	
2	A2	
3	A3	
4	A4	
5	A5	
6	A6	
7	A7	
8	A8	
9	A8-1	
10	A10	
11	A12	
12	A15	
13	A15	
14	A17	
15	B1	
16	B2	
17	B2-1	
18	B2-2	
19	B2-2-1	
20	B2-2-2	
21	B2-3	
22	B3	
23	B3-1	
24	B3-2	
25	B3-3	
26	B3-4	
27	B3-5	
28	B3-6	
29	B3-7	
30	B3-8	
31	B3-9	
32	B3-10	
33	B3-11	
34	B4	
35	B4-1	
36	B4-2	
37	B4-2-1	
38	B4-2-2	
39	B4-2-3	
40	B4-3	
41	B4-4	
42	B4-5	
43	B4-6	
44	B4-7	
45	B4-8	
46	B4-9	
47	B5	
48	B5	
49	B5	
50	B9	
51	B10	
52	B11	
53	B12	
54	B13	
55	B14	
56	B14-1	
57	B14-2	
58	B14-3	
59	B14-4	
60	B15	
61	B15	
62	B17	
63	B18	
64	B19	
65	B20	
66	B21	
67	B22	
68	B23	
69	C1	
70	C2	
71	C3	
72	C4	
73	E1	
74	E2	
75	E2-1	
76	E2-2	
77	E2-3	
78	E2-4	
79	E2-5	
80	E2-6	
81	E2-7	
82	E2-8	
83	E2-9	
84	E2-10	
85	E2-11	
86	E2-12	
87	E2-13	
88	E2-14	
89	E2-15	
90	E3	
91	E5	
92	E6	
93	E7	
94	E8	
95	E10	
96	E15	
97	E18	
98	E18	
99	E20	
100	E22	
101	E30	
102	E32	
103	E33	
104	E34	
105	E35	
106	E36	
107	E37	
108	E38	
109	F1	
110	F2	
111	F3	
112	F4	
113	F5	
114	F6	
115	F9	
116	F12	
117	F13	
118	F14	
119	F15	
120	F16	
121	F17	
122	F18	
123	F19	
124	F20	
125	F22	
126	F23	
127	F28	
128	F28	
129	F45	
130	F46	
131	F47	
132	F48	
133	F49	
134	K1	
135	K2	
136	K3	
137	K3-1	
138	K3-2	
139	K3-3	
140	K3-4	
141	K3-5	
142	K3-6	
143	K3-7	
144	K4	
145	K4-1	
146	K4-2	
147	K7	
148	K8	
149	K9	

4MXM36AVJU9

Ref. Part No:	Ref. Part No:	Description:	Description:	
Image 1:		Image 1:		
1	2561305	COMPRESSOR (M11)	58 2561314	COIL/ ELECTRONIC EXP. VALVE (M11)
2	4010410	WASHER (NUT WITH WASHER) (M11)	59 2561324	COIL/ ELECTRONIC EXP. VALVE (M11)
3	096039J	SPRING HOLDER (1) (M11)	60 NA	SUCTION PIPE (M11)
4	390208J	MOUNTING SPRING (M11)	61 2561317	STOP VALVE MOUNTING PLATE (1) 4R (M11)
5	4016565	SPRING HOLDER (2) (M11)	62 2560999	STOP VALVE MOUNTING PLATE (2) (M11)
6	040139J	RUBBER BUSH/ LEAD WIRE (M11)	63 2255541	SINGLE UNION FIXTURE (LIQUID) (M11)
7	2425597	TERMINAL COVER (M11)	64 2255589	SINGLE UNION FIXTURE (GAS) (M11)
8	2428510	OVERLOAD PROTECTOR (M11)	65 2255642	SEALING MATERIAL (M11)
9	2428527	RADIATION SHEET (M11)	66 2255628	SEALING MATERIAL (M11)
10	2561043	SOUND INSULATION (OUTER SLEEVE) (M11)	67 099951J	EDGE SADDLE (M11)
11	2561041	SOUND INSULATION (OUTER TOP) (M11)	68 112853J	VIBRATION ISOLATOR PUTTY (M11)
12	2561316	SOUND INSULATION (INNER SLEEVE) (M11)	69 2561029	PROPELLER FAN ASSY. (M11)
13	6025183	SOUND INSULATION (INNER TOP) (M11)	70 847003J	LOCK NUT/ FAN (M11)
14	380116J	CUSHION RUBBER/ ACCUMULATOR (M11)	71 6025762	PROTECTION NET (LEFT SIDE) (M11)
15	2560995	HEAT EXCHANGER ASSY. (M11)	72 6024941	DISCHARGE GRILLE ASSY. (M11)
16	NA	FOUR WAY VALVE ASSY. (M11)	73 2561005	EL. COMPO. BOX (M11)
17	2455992	BODY/ FOUR WAY VALVE (M11)	74 NA	TERMINAL STRIP MOUNTING PLATE (M11)
18	NA	DISCHARGE PIPE ASSY. (M11)	75 2561008	MOUNTING PLATE (TERMINAL STRIP) (M11)
19	161839J	MUFFLER (M11)	76 2561009	TERMINAL STRIP (M11)
20	2534983	HIGH PRESSURE SWITCH (M11)	77 2371498	TERMINAL BLOCK (M11)
21	2560996	PUTTY (HEAT RESISTANT) (M11)	78 6025165	PRINTED CIRCUIT BOARD ASSY. (SERVICE) (M11)
22	NA	HEADER ASSY. (GAS) (M11)	79 2115472	SPACER (PCB) (M11)
23	2561003	GAS STOP VALVE ASSY. (M11)	80 1728464	SPACER (PCB) (M11)
24	257587J	UNION JOINT (M11)	81 2561310	WIRE HARNESS (TERMINAL STRIP) (M11)
25	252012J	UNION JOINT (M11)	82 2561311	WIRE HARNESS (TERMINAL STRIP) (M11)
26	257588J	UNION JOINT (M11)	83 2561322	INDICATION LABEL (TERMINAL) (M11)
27	2561319	THERMISTOR ASSY. (GAS) (M11)	84 2561321	WIRE HARNESS ASSY. (COMMUNICATION) (M11)
28	380120J	FITTING SPRING/ THERMISTOR (M11)	85 113783J	TAPPING SCREW (M11)
29	4006136	MUFFLER (M11)	86 1786749	WASHER (FOR EARTH) (M11)
30	6025154	MUFFLER (M11)	87 2561012	MOUNTING PLATE (MULTI MODULE PCB) (M11)
31	6025189	MUFFLER (M11)	88 2561323	PRINTED CIRCUIT BOARD ASSY. (M11)
32	6025190	MUFFLER (M11)	89 099951J	EDGE SADDLE (M11)
33	6025201	MUFFLER (M11)	90 2561006	EL. COMPO. MOUNTING PLATE ASSY. (M11)
34	NA	HEADER ASSY. (LIQUID) (M11)	91 2561035	TERMINAL STRIP COVER ASSY. (M11)
35	2561000	LIQUID STOP VALVE ASSY. (M11)	92 2561320	PRINTED CIRCUIT BOARD ASSY. (M11)
36	2561001	ELECTRONIC EXP. VALVE ASSY. (M11)	93 2561014	COVER ASSY. (SERVICE PCB) (M11)
37	2533579	BODY/ ELECTRONIC EXP. VALVE (M11)	94 113783J	TAPPING SCREW (M11)
38	060321J	UNION JOINT (M11)	95 2561015	SWITCH COVER ASSY. (M11)
39	131823J	STRAINER (FOR REF.) (M11)	96 2532798	FOUR WAY VALVE COIL ASSY. (M11)
40	2255457	MUFFLER (M11)	97 2561016	THERMISTOR ASSY. (M11)
41	2561318	THERMISTOR ASSY. (LIQ) (M11)	98 6005471	FIXTURE/ THERMISTOR (M11)
42	1303896	FIXTURE/ THERMISTOR (M11)	99 128511J	FIXTURE/ THERMISTOR (M11)
43	2533582	PUTTY (M11)	100 2561028	WIRE HARNESS ASSY. (FOR COMP.) (M11)
44	6025158	PUTTY (M11)	101 2561027	DC FAN MOTOR (M11)
45	6025203	PUTTY (LIQUID HEADER) (M11)	102 2561017	WIRE HARNESS ASSY. (COMP. RELAY) (M11)
46	139706J	PUTTY (M11)	103 2561018	WIRE HARNESS ASSY. (FUNCTIONAL EARTH) (M11)
47	2560997	GAS LIQUID SEPARATOR ASSY. (M11)	104 2561019	WIRE HARNESS ASSY. (FOR OL/HPS) (M11)
48	2255729	PUTTY (M11)	105 2561020	WIRE HARNESS ASSY. (L/N)(TRANSIT) (M11)
49	1723546	FLARE NUT (M11)	106 2561021	WIRE HARNESS ASSY. (ACS) (M11)
50	119848J	FLARE NUT (M11)	107 2561022	WIRE HARNESS ASSY. (SERVICE PCB) (M11)
51	119849J	FLARE NUT (M11)	108 2561023	WIRE HARNESS ASSY. (FUNCTIONAL MODULE) (M11)
52	119850J	FLARE NUT (M11)	109 2561315	BOTTOM FRAME ASSY. (M11)
53	2158703	VALVE CAP (M11)	110 2561030	RIGHT SIDE PLATE (M11)
54	2159232	VALVE CAP (M11)		
55	NA	COIL/ ELECTRONIC EXP. VALVE ASSY. (M11)		
56	2561025	COIL/ ELECTRONIC EXP. VALVE (M11)		
57	2561026	COIL/ ELECTRONIC EXP. VALVE (M11)		

4MXM36AVJU9

Ref. Part No:	Part No:	Description:	Ref. Part No:	Part No:	Description:
---------------	----------	--------------	---------------	----------	--------------

Image 1:

111	2561039	LEFT SIDE PLATE (M11)
112	2561040	FRONT PLATE (M11)
113	2561031	PARTITION PLATE (M11)
114	2561032	FAN MOTOR STAND ASSY. (M11)
115	6022835	HANDLE (M11)
116	2561034	POLYETHYLENE FOAM ASSY. (M11)
117	2120405	HEX. TAPPING SCREW (3) (M11)
118	008203J	TRUSS HEAD TAPPING SCREW (M11)
119	109224J	HEX. HEAD TAPPING SCREW (M11)
120	048017J	PAN HEAD TAPPING SCREW (M11)
121	2561038	TOP PLATE (M11)
122	2561037	DRIP PROOF PLATE ASSY. (TERMINAL) (M11)
123	6026829	SEALING MATERIAL (HEAT EXCH. TOP) (M11)
124	2561036	CONDUIT MOUNTING PLATE ASSY. (M11)
125	2561045	CAUTION LABEL (SUPERCARGO) (M11)
126	380120J	FITTING SPRING/ THERMISTOR (M11)
127	1708756	SEALING MATERIAL (M11)
128	6024004	COVER/ STOP VALVE (M11)
129	NA	CAUTION LABEL (BURN) (M11)
130	NA	CAUTION LABEL (ELECTRIC SHOCK) (M11)
131	NA	PRODUCT LIABILITY CAUTION LABEL (M11)
132	NA	CAUTION LABEL (FLAMMABLE GAS) (M11)
133	2561861	SIDE CAP(MULTI SERVICE PORT)(S) (M11)
134	2561044	BRAND NAME LABEL (M11)
135	2561222	JOINT (DRAIN) (M11)
136	NA	REDUCER ASSY. (M11)
137	257553J	GASKET/ REDUCING JOINT (M11)
138	257712J	GASKET/ REDUCING JOINT (M11)
139	257555J	GASKET/ REDUCING JOINT (M11)
140	257709J	GASKET/ REDUCING JOINT (M11)
141	257503J	REDUCING JOINT (M11)
142	257511	FLARE GASKET (M11)
143	119848J	FLARE NUT (M11)
144	NA	ACCESSORY SET (M11)
145	2253709	CAP 1 (DRAIN) (M11)
146	2253716	CAP 2 (DRAIN) (M11)
147	2561738	LABEL NAME PLATE (INVERTER R32) (M11)
148	2561739	ADDITIONAL REFR. CHARGE LABEL (M11)
149	NA	HANDLING LABEL (1) (M11)

Expanded Model Nomenclature

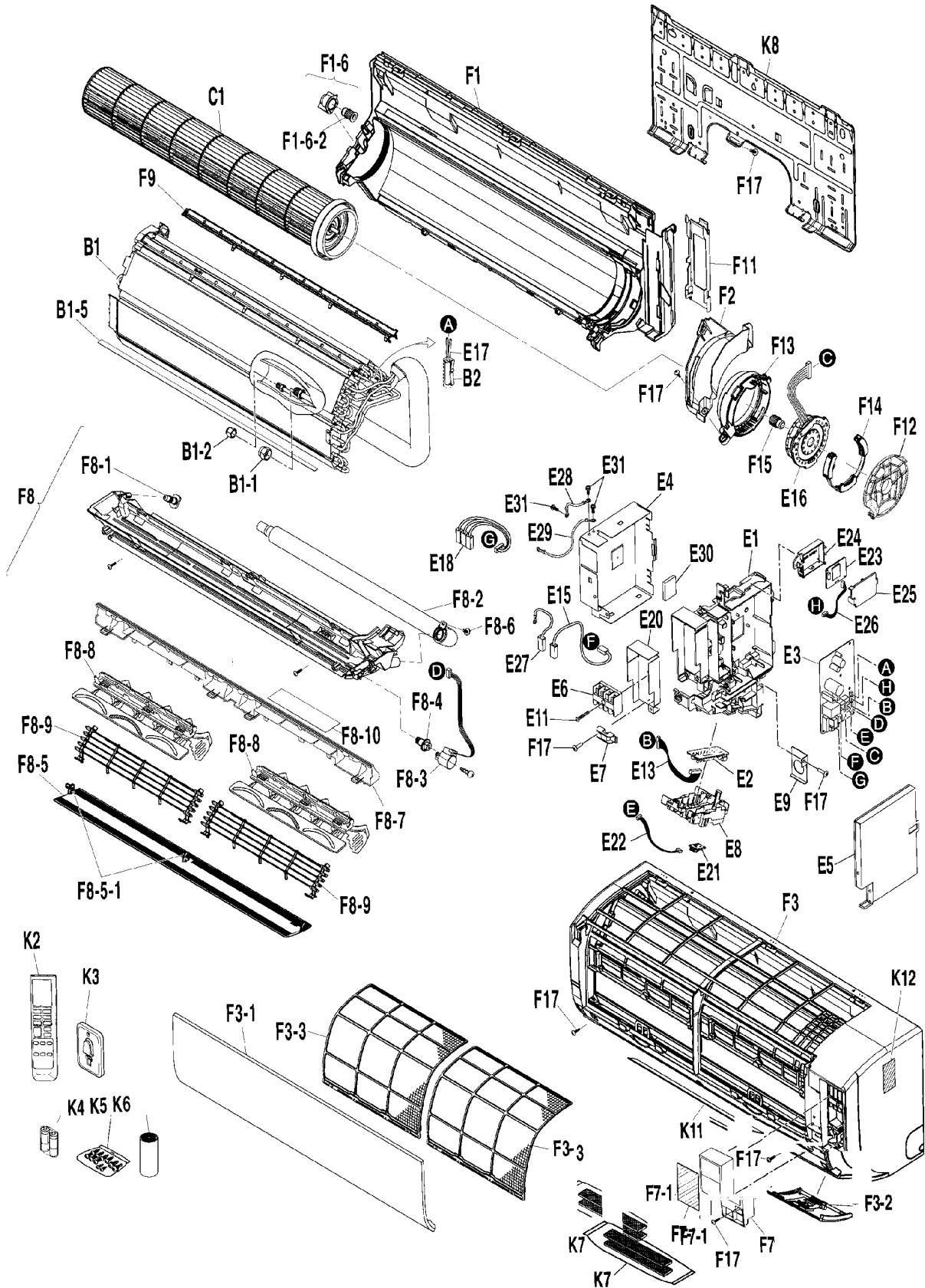
- | |
|-------------------|
| M1 - CTXV07AVJU9 |
| M2 - FTXV09AVJU9 |
| M3 - FTXV12AVJU9 |
| M4 - FTXV15AVJU9 |
| M5 - FTXV18AVJU9 |
| M6 - FTXV24AVJU9 |
| M7 - 2MXM18AVJU9 |
| M8 - 2MXTH18AVJU9 |
| M9 - 2MXT18AVJU9 |
| M10 - 3MXM24AVJU9 |
| M11 - 4MXM36AVJU9 |

CTXV07AVJU9

Ref. Part No: No:	Description:	Ref. Part No: No:	Description:											
Image 1:		Image 1:												
1	2561429 HEAT EXCHANGER ASSY. (M1)	56	2561452 SEALING PLATE (TOP) (M1)											
2	119848J FLARE NUT (M1)	57	6024489 PIPING FIXTURE (M1)											
3	1723546 FLARE NUT (M1)	58	2561441 MOTOR COVER (CAP) ASSY. (M1)											
4	2538650 SEALING PLATE (HEAT EXCHANGER) (M1)	59	2561440 MOTOR COVER ASSY. (M1)											
5	380120J FITTING SPRING/ THERMISTOR (M1)	60	4023758 RUBBER GROMMET (M1)											
6	2561707 CROSS FLOW FAN ASSY. (M1)	61	2540555 FAN BEARING VIBRATION ABSORBER (M1)											
7	2561430 EL. COMPO. BOX (WITH SEALING MATERIAL) (M1)	62	121650J TRUSS HEAD TAPPING SCREW (M1)											
8	2561391 PRINTED CIRCUIT BOARD ASSY. (M1)	63	2561958 REMOTE CONTROLLER ASSY. (M1)											
9	2561937 PRINTED CIRCUIT BOARD ASSY. (M1)	64	183432J HOLDER/ REMOTE CONTROLLER (M1)											
10	2561431 SHIELD PLATE (1) (M1)	65	2539271 BATTERY KIT (M1)											
11	2561453 SHIELD PLATE (2) (M1)	66	4020169 SCREW SET (M1)											
12	2531967 TERMINAL STRIP (M1)	67	081957J HEAT INSULATION TAPE (M1)											
13	0812847 WIRE CLAMP (M1)	68	4017130 PHOTOCATALYST FILTER ASSY. (M1)											
14	2561434 INDICATION LAMP COVER (M1)	69	7900111 INSTALLATION PLATE (M1)											
15	2561398 CONDUIT MOUNTING PLATE (M1)	70	NA CAUTION LABEL (M1)											
16	174888J PAN HEAD TAPPING SCREW (M1)	71	NA PRODUCT LIABILITY CAUTION LABEL (M1)											
17	2561392 WIRE HARNESS (DISPLAY) (M1)	Expanded Model Nomenclature												
18	2561388 EARTH WIRE (FG) (M1)	<table border="1"> <tr><td>M1 - CTXV07AVJU9</td></tr> <tr><td>M2 - FTXV09AVJU9</td></tr> <tr><td>M3 - FTXV12AVJU9</td></tr> <tr><td>M4 - FTXV15AVJU9</td></tr> <tr><td>M5 - FTXV18AVJU9</td></tr> <tr><td>M6 - FTXV24AVJU9</td></tr> <tr><td>M7 - 2MXM18AVJU9</td></tr> <tr><td>M8 - 2MXTH18AVJU9</td></tr> <tr><td>M9 - 2MXT18AVJU9</td></tr> <tr><td>M10 - 3MXM24AVJU9</td></tr> <tr><td>M11 - 4MXM36AVJU9</td></tr> </table>		M1 - CTXV07AVJU9	M2 - FTXV09AVJU9	M3 - FTXV12AVJU9	M4 - FTXV15AVJU9	M5 - FTXV18AVJU9	M6 - FTXV24AVJU9	M7 - 2MXM18AVJU9	M8 - 2MXTH18AVJU9	M9 - 2MXT18AVJU9	M10 - 3MXM24AVJU9	M11 - 4MXM36AVJU9
M1 - CTXV07AVJU9														
M2 - FTXV09AVJU9														
M3 - FTXV12AVJU9														
M4 - FTXV15AVJU9														
M5 - FTXV18AVJU9														
M6 - FTXV24AVJU9														
M7 - 2MXM18AVJU9														
M8 - 2MXTH18AVJU9														
M9 - 2MXT18AVJU9														
M10 - 3MXM24AVJU9														
M11 - 4MXM36AVJU9														
19	2561439 FAN MOTOR STATOR (STD) (M1)													
20	2561438 THERMISTOR ASSY. (M1)													
21	2561432 WIRE HARNESS (POWER) (M1)													
22	2561433 SHIELD PLATE (TERMINAL) (M1)													
23	2560606 HUMIDITY SENSOR (M1)													
24	2561435 WIRE HARNESS (HUMIDITY SENSOR) (M1)													
25	2561423 FINISHED PRODUCTS ASSY. (WLAN MODULE) (M1)													
26	2561424 ELECTRIC BOX FIXTURE (WIRELESS) (M1)													
27	2561425 COVER (WIRELESS ADAPTER) (M1)													
28	2561477 WIRE HARNESS (WIRELESS ADAPTER) (M1)													
29	2561395 EARTH WIRE (TERMINAL STRIP) (M1)													
30	2561437 EARTH WIRE (HEAT EXCHANGER) (M1)													
31	2561397 EARTH WIRE (HEAT EXCHANGER) (M1)													
32	2559803 INSULATION SHEET (RADIATION) (M1)													
33	2374334 PAN HEAD MACHINE SCREW S-TIGHT (M1)													
34	2561442 BOTTOM FRAME ASSY. (M1)													
35	7900101 FAN BEARING ASSY. (M1)													
36	156867J VIBRATION ABSORBER/ FAN BEARING (M1)													
37	2561454 RIGHT SIDE PANEL ASSY. (M1)													
38	2561448 FRONT GRILLE ASSY. (M1)													
39	2561449 PANEL (M1)													
40	2561450 CONTROL PANEL ASSY. (M1)													
41	2561451 AIR FILTER (M1)													
42	2564323 SERVICE COVER ASSY. (M1)													
43	NA CAUTION LABEL (ELECTRIC SHOCK) (M1)													
44	2564319 DRAIN PAN ASSY. (MANUAL) (M1)													
45	6028456 DRAIN PLUG (M1)													
46	2547544 DRAIN HOSE (M1)													
47	2561444 STEPPING MOTOR (M1)													
48	2561445 SHAFT (HORI.) (M1)													
49	2561446 DISCH. GRILLE HOR. BLADE ASSY. (M1)													
50	2561412 SHAFT (M1)													
51	170429J TAPPING SCREW (M1)													
52	4016180 DRAIN PAN STABILIZER (M1)													
53	4015987 DISCH. GRILLE VERT. BLADE (MANUAL) (M1)													
54	4022655 FAN GUARD ASSY. (M1)													
55	2564320 CAUTION LABEL (DRAIN PAN) (M1)													

FTXV[09,12]AVJU9

FTXV09AVJU9 / FTXV12AVJU9



Picture Key

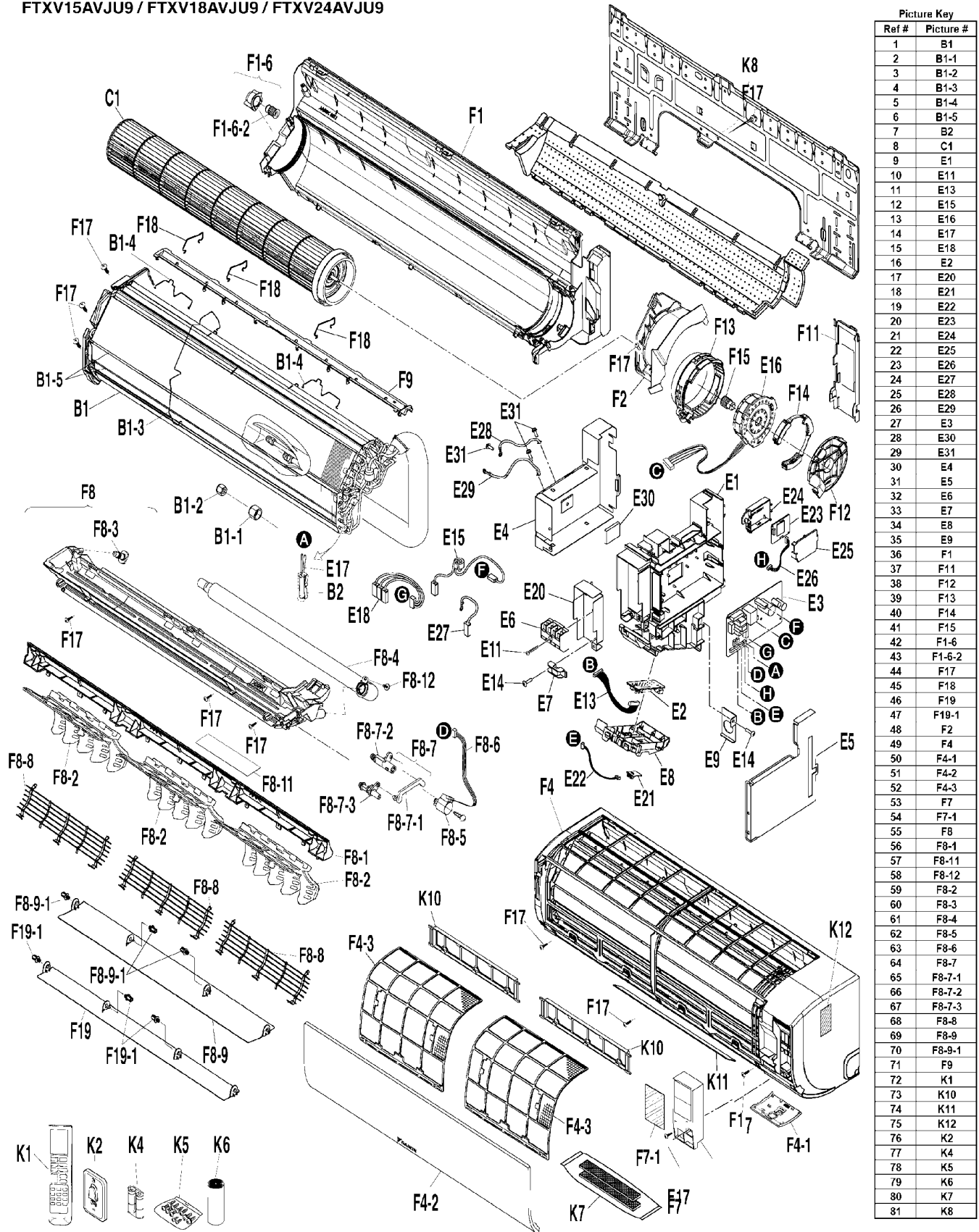
Ref #	Picture #
1	B1
2	B1-1
3	B1-2
4	B1-5
5	B2
6	C1
7	E1
8	E11
9	E13
10	E15
11	E16
12	E17
13	E18
14	E2
15	E20
16	E21
17	E22
18	E23
19	E24
20	E25
21	E26
22	E27
23	E28
24	E29
25	E3
26	E30
27	E31
28	E4
29	E5
30	E6
31	E7
32	E8
33	E9
34	F1
35	F11
36	F12
37	F13
38	F14
39	F15
40	F16
41	F16-2
42	F17
43	F2
44	F3
45	F3-1
46	F3-2
47	F3-3
48	F7
49	F7-1
50	F8
51	F8-1
52	F8-10
53	F8-2
54	F8-3
55	F8-4
56	F8-5
57	F8-5-1
58	F8-6
59	F8-7
60	F8-8
61	F8-9
62	F9
63	K11
64	K12
65	K2
66	K3
67	K4
68	K5
69	K6
70	K7
71	K8

FTXV[09,12]AVJU9

Ref. Part No: No:	Description:	Ref. Part No: No:	Description:											
Image 1:		Image 1:												
1	2561429 HEAT EXCHANGER ASSY. (M2, M3)	54	2561444 STEPPING MOTOR (M2, M3)											
2	119848J FLARE NUT (M2, M3)	55	2561445 SHAFT (HORI.) (M2, M3)											
3	1723546 FLARE NUT (M2, M3)	56	2561446 DISCH. GRILLE HOR. BLADE ASSY. (M2, M3)											
4	2538650 SEALING PLATE (HEAT EXCHANGER) (M2, M3)	57	2561412 SHAFT (M2, M3)											
5	380120J FITTING SPRING/ THERMISTOR (M2, M3)	58	170429J TAPPING SCREW (M2, M3)											
6	2561707 CROSS FLOW FAN ASSY. (M2, M3)	59	4016180 DRAIN PAN STABILIZER (M2, M3)											
7	2561430 EL. COMPO. BOX (WITH SEALING MATERIAL) (M2, M3)	60	4015987 DISCH. GRILLE VERT. BLADE (MANUAL) (M2, M3)											
8	174888J PAN HEAD TAPPING SCREW (M2, M3)	61	4022655 FAN GUARD ASSY. (M2, M3)											
9	2561392 WIRE HARNESS (DISPLAY) (M2, M3)	62	2561452 SEALING PLATE (TOP) (M2, M3)											
10	2561388 EARTH WIRE (FG) (M2, M3)	63	NA CAUTION LABEL (M2, M3)											
11	2561439 FAN MOTOR STATOR (STD) (M2, M3)	64	NA PRODUCT LIABILITY CAUTION LABEL (M2, M3)											
12	2561438 THERMISTOR ASSY. (M2, M3)	65	2561958 REMOTE CONTROLLER ASSY. (M2, M3)											
13	2561432 WIRE HARNESS (POWER) (M2, M3)	66	183432J HOLDER/ REMOTE CONTROLLER (M2, M3)											
14	2561391 PRINTED CIRCUIT BOARD ASSY. (M2, M3)	67	2539271 BATTERY KIT (M2, M3)											
15	2561433 SHIELD PLATE (TERMINAL) (M2, M3)	68	4020169 SCREW SET (M2, M3)											
16	2560606 HUMIDITY SENSOR (M2, M3)	69	081957J HEAT INSULATION TAPE (M2, M3)											
17	2561435 WIRE HARNESS (HUMIDITY SENSOR) (M2, M3)	70	4017130 PHOTOCATALYST FILTER ASSY. (M2, M3)											
18	2561423 FINISHED PRODUCTS ASSY. (WLAN MODULE) (M2, M3)	71	7900111 INSTALLATION PLATE (M2, M3)											
19	2561424 ELECTRIC BOX FIXTURE (WIRELESS) (M2, M3)	Expanded Model Nomenclature												
20	2561425 COVER (WIRELESS ADAPTER) (M2, M3)	<table border="1"> <tr><td>M1 - CTXV07AVJU9</td></tr> <tr><td>M2 - FTXV09AVJU9</td></tr> <tr><td>M3 - FTXV12AVJU9</td></tr> <tr><td>M4 - FTXV15AVJU9</td></tr> <tr><td>M5 - FTXV18AVJU9</td></tr> <tr><td>M6 - FTXV24AVJU9</td></tr> <tr><td>M7 - 2MXM18AVJU9</td></tr> <tr><td>M8 - 2MXT18AVJU9</td></tr> <tr><td>M9 - 2MXT18AVJU9</td></tr> <tr><td>M10 - 3MXM24AVJU9</td></tr> <tr><td>M11 - 4MXM36AVJU9</td></tr> </table>		M1 - CTXV07AVJU9	M2 - FTXV09AVJU9	M3 - FTXV12AVJU9	M4 - FTXV15AVJU9	M5 - FTXV18AVJU9	M6 - FTXV24AVJU9	M7 - 2MXM18AVJU9	M8 - 2MXT18AVJU9	M9 - 2MXT18AVJU9	M10 - 3MXM24AVJU9	M11 - 4MXM36AVJU9
M1 - CTXV07AVJU9														
M2 - FTXV09AVJU9														
M3 - FTXV12AVJU9														
M4 - FTXV15AVJU9														
M5 - FTXV18AVJU9														
M6 - FTXV24AVJU9														
M7 - 2MXM18AVJU9														
M8 - 2MXT18AVJU9														
M9 - 2MXT18AVJU9														
M10 - 3MXM24AVJU9														
M11 - 4MXM36AVJU9														
21	2561477 WIRE HARNESS (WIRELESS ADAPTER) (M2, M3)													
22	2561395 EARTH WIRE (TERMINAL STRIP) (M2, M3)													
23	2561437 EARTH WIRE (HEAT EXCHANGER) (M2, M3)													
24	2561397 EARTH WIRE (HEAT EXCHANGER) (M2, M3)													
25	2561935 PRINTED CIRCUIT BOARD ASSY. (M2)													
25	2561936 PRINTED CIRCUIT BOARD ASSY. (M3)													
26	2559803 INSULATION SHEET (RADIATION) (M2, M3)													
27	2374334 PAN HEAD MACHINE SCREW S-TIGHT (M2, M3)													
28	2561431 SHIELD PLATE (1) (M2, M3)													
29	2561453 SHIELD PLATE (2) (M2, M3)													
30	2531967 TERMINAL STRIP (M2, M3)													
31	0812847 WIRE CLAMP (M2, M3)													
32	2561434 INDICATION LAMP COVER (M2, M3)													
33	2561398 CONDUIT MOUNTING PLATE (M2, M3)													
34	2561442 BOTTOM FRAME ASSY. (M2, M3)													
35	6024489 PIPING FIXTURE (M2, M3)													
36	2561441 MOTOR COVER (CAP) ASSY. (M2, M3)													
37	2561440 MOTOR COVER ASSY. (M2, M3)													
38	4023758 RUBBER GROMMET (M2, M3)													
39	2540555 FAN BEARING VIBRATION ABSORBER (M2, M3)													
40	7900101 FAN BEARING ASSY. (M2, M3)													
41	156867J VIBRATION ABSORBER/ FAN BEARING (M2, M3)													
42	121650J TRUSS HEAD TAPPING SCREW (M2, M3)													
43	2561454 RIGHT SIDE PANEL ASSY. (M2, M3)													
44	2561448 FRONT GRILLE ASSY. (M2, M3)													
45	2561449 PANEL (M2, M3)													
46	2561450 CONTROL PANEL ASSY. (M2, M3)													
47	2561451 AIR FILTER (M2, M3)													
48	2564323 SERVICE COVER ASSY. (M2, M3)													
49	NA CAUTION LABEL (ELECTRIC SHOCK) (M2, M3)													
50	2564319 DRAIN PAN ASSY. (MANUAL) (M2, M3)													
51	6028456 DRAIN PLUG (M2, M3)													
52	2564320 CAUTION LABEL (DRAIN PAN) (M2, M3)													
53	2547544 DRAIN HOSE (M2, M3)													

FTXV[15,18,24]AVJU9

FTXV15AVJU9 / FTXV18AVJU9 / FTXV24AVJU9



Picture Key

Ref #	Picture #
1	B1
2	B1-1
3	B1-2
4	B1-3
5	B1-4
6	B1-5
7	B2
8	C1
9	E1
10	E11
11	E13
12	E15
13	E16
14	E17
15	E18
16	E2
17	E20
18	E21
19	E22
20	E23
21	E24
22	E25
23	E26
24	E27
25	E28
26	E29
27	E3
28	E30
29	E31
30	E4
31	E5
32	E6
33	E7
34	E8
35	E9
36	F1
37	F11
38	F12
39	F13
40	F14
41	F15
42	F1-6
43	F1-6-2
44	F17
45	F18
46	F19
47	F19-1
48	F2
49	F4
50	F4-1
51	F4-2
52	F4-3
53	F7
54	F7-1
55	F8
56	F8-1
57	F8-11
58	F8-12
59	F8-2
60	F8-3
61	F8-4
62	F8-5
63	F8-6
64	F8-7
65	F8-7-1
66	F8-7-2
67	F8-7-3
68	F8-8
69	F8-9
70	F8-9-1
71	F9
72	K1
73	K10
74	K11
75	K12
76	K2
77	K4
78	K5
79	K6
80	K7
81	K8

FTXV[15,18,24]AVJU9

Ref. Part No: No:	Description:	Ref. Part No: No:	Description:
Image 1:		Image 1:	
1	2561384 HEAT EXCHANGER ASSY. (M4, M5)	45	2561416 WIRE SPRING (TOP SEALING PLATE) (M4, M5, M6)
1	2561421 HEAT EXCHANGER ASSY. (M6)	46	2561411 DISCH. GRILLE HOR. BLADE (2) ASSY. (M4, M5, M6)
2	119849J FLARE NUT (M4, M5)		
2	119850J FLARE NUT (M6)	47	2561412 SHAFT (M4, M5, M6)
3	1723546 FLARE NUT (M4, M5, M6)	48	2561418 RIGHT SIDE PANEL ASSY. (M4, M5, M6)
4	4016485 WIRE SPRING (M4, M5, M6)	49	2561413 FRONT GRILLE ASSY. (M4, M5, M6)
5	7900113 WIRE SPRING (M4, M5, M6)	50	2561414 CONTROL PANEL ASSY (M4, M5, M6)
6	4016486 SEALING PLATE (H/E BENDING) (M4, M5, M6)	51	2561415 PANEL (LOW) WITH PRINTING (M4, M5, M6)
7	380120J FITTING SPRING/ THERMISTOR (M4, M5, M6)	52	4016517 AIR FILTER (M4, M5, M6)
8	2561399 CROSS FLOW FAN ASSY (M4, M5, M6)	53	2561419 SERVICE COVER ASSY. (M4, M5, M6)
9	2561385 EL. COMPO. BOX (M4, M5, M6)	54	NA CAUTION LABEL (ELECTRIC SHOCK) (M4, M5, M6)
10	174888J PAN HEAD TAPPING SCREW (M4, M5, M6)	55	2561404 DRAIN PAN ASSY. (MANUAL) (M4, M5, M6)
11	2561392 WIRE HARNESS (DISPLAY) (M4, M5, M6)	56	4016499 DRAIN PAN STABILIZER (M4, M5, M6)
12	2561388 EARTH WIRE (FG) (M4, M5, M6)	57	2561409 CAUTION LABEL (M4, M5, M6)
13	2561400 FAN MOTOR STATOR (STD) (M4, M5, M6)	58	170429J TAPPING SCREW (M4, M5, M6)
14	2558586 THERMISTOR ASSY. (M4, M5, M6)	59	4017170 DISCH. GRILLE VERT. BLADE (M4, M5, M6)
15	2561387 WIRE HARNESS (POWER) (M4, M5, M6)	60	6028456 DRAIN PLUG (M4, M5, M6)
16	2561391 PRINTED CIRCUIT BOARD ASSY. (M4, M5, M6)	61	2543101 DRAIN HOSE (M4, M5, M6)
17	2561389 SHIELD PLATE (TERMINAL REAR) (M4, M5, M6)	62	179743J SWING MOTOR (M4, M5, M6)
18	2560606 HUMIDITY SENSOR (M4, M5, M6)	63	2561405 WIRE HARNESS ASSY. (HORI. BLADE) (M4, M5, M6)
19	2561393 WIRE HARNESS (HUMIDITY SENSOR) (M4, M5, M6)		
20	2561423 FINISHED PRODUCTS ASSY. (WLAN MODULE) (M4, M5, M6)	64	2561406 SHAFT (LINK) ASSY. (M4, M5, M6)
21	2561424 ELECTRIC BOX FIXTURE (WIRELESS) (M4, M5, M6)	65	2544273 DISCH. GRILLE HOR. BLADE SUPPORT (M4, M5, M6)
22	2561425 COVER (WIRELESS ADAPTER) (M4, M5, M6)	66	2561407 SHAFT (LINK 2) (M4, M5, M6)
23	2561426 WIRE HARNESS (WIRELESS ADAPTER) (M4, M5, M6)	67	2561408 SHAFT (LINK 3) (M4, M5, M6)
24	2561395 EARTH WIRE (TERMINAL STRIP) (M4, M5, M6)	68	6024984 FAN GUARD ASSY. (M4, M5, M6)
25	2561396 EARTH WIRE (HEAT EXCHANGER) (M4, M5, M6)	69	2561410 DISCH. GRILLE HOR. BLADE (1) ASSY. (M4, M5, M6)
26	2561397 EARTH WIRE (HEAT EXCHANGER) (M4, M5, M6)		
27	2561788 PRINTED CIRCUIT BOARD ASSY. (M4)	70	2561412 SHAFT (M4, M5, M6)
27	2561789 PRINTED CIRCUIT BOARD ASSY. (M5)	71	4016519 SEALING PLATE (TOP) (M4, M5, M6)
27	2561790 PRINTED CIRCUIT BOARD ASSY. (M6)	72	2561958 REMOTE CONTROLLER ASSY (M4, M5, M6)
28	2559803 INSULATION SHEET (RADIATION) (M4, M5, M6)	73	1597259 DUST COLLECTING ELEMENT FRAME (M4, M5, M6)
29	2374334 PAN HEAD MACHINE SCREW S-TIGHT (M4, M5, M6)	74	NA CAUTION LABEL (M4, M5, M6)
		75	NA PRODUCT LIABILITY CAUTION LABEL (M4, M5, M6)
30	2561386 SHIELD PLATE (1) (M4, M5, M6)	76	183432J HOLDER/ REMOTE CONTROLLER (M4, M5, M6)
31	2561417 SHIELD PLATE (2) (M4, M5, M6)	77	2539271 BATTERY KIT (M4, M5, M6)
32	2531967 TERMINAL STRIP (M4, M5, M6)	78	4020169 SCREW SET (M4, M5, M6)
33	0812847 WIRE CLAMP (M4, M5, M6)	79	081957J HEAT INSULATION TAPE (M4, M5, M6)
34	2561390 INDICATION LAMP COVER (M4, M5, M6)	80	4017130 PHOTOCATALYST FILTER ASSY. (M4, M5, M6)
35	2561398 CONDUIT MOUNTING PLATE (M4, M5, M6)	81	4016523 INSTALLATION PLATE (M4, M5, M6)
36	2561403 BOTTOM FRAME ASSY. (M4, M5, M6)		
37	4016520 PIPING FIXTURE (M4, M5, M6)		
38	2561402 MOTOR COVER (CAP) ASSY. (M4, M5, M6)		
39	2561401 MOTOR COVER (BODY) ASSY. (M4, M5, M6)		
40	4023758 RUBBER GROMMET (M4, M5, M6)		
41	2540555 FAN BEARING VIBRATION ABSORBER (M4, M5, M6)		
42	7900101 FAN BEARING ASSY. (M4, M5, M6)		
43	156867J VIBRATION ABSORBER/ FAN BEARING (M4, M5, M6)		
44	121650J TRUSS HEAD TAPPING SCREW (M4, M5, M6)		

FTXV[15,18,24]AVJU9

Ref. Part

No: No:

Description:

Ref. Part

No: No:

Description:

Expanded Model Nomenclature

M1 - CTXV07AVJU9
M2 - FTXV09AVJU9
M3 - FTXV12AVJU9
M4 - FTXV15AVJU9
M5 - FTXV18AVJU9
M6 - FTXV24AVJU9
M7 - 2MXM18AVJU9
M8 - 2MXTH18AVJU9
M9 - 2MXT18AVJU9
M10 - 3MXM24AVJU9
M11 - 4MXM36AVJU9